



US00D584521S

(12) **United States Design Patent**
Massaud

(10) **Patent No.:** **US D584,521 S**
(45) **Date of Patent:** **** Jan. 13, 2009**

(54) **CHAIR**

(75) Inventor: **Jean Marie Massaud**, Paris (FR)

(73) Assignee: **Arper S.p.A.**, Treviso (IT)

(**) Term: **14 Years**

(21) Appl. No.: **29/322,576**

(22) Filed: **Aug. 7, 2008**

(51) **LOC (9) Cl.** **06-01**

(52) **U.S. Cl.** **D6/366**

(58) **Field of Classification Search** D6/334-336,
D6/364, 365, 366, 374, 375, 376, 379, 380,
D6/498, 500-502; 297/411.4, 445.1, 446.1,
297/452.12, 452.14, 452.21, 452.29, 452.32,
297/452.5, DIG. 2

See application file for complete search history.

(56) **References Cited**

U.S. PATENT DOCUMENTS

- D196,429 S * 10/1963 Johnson D6/366
- 3,281,185 A * 10/1966 Albinson et al. 297/452.14
- 3,521,929 A * 7/1970 Pearson 297/452.14
- D245,378 S * 8/1977 Roericht D6/366

- D433,853 S * 11/2000 Shamir D6/500
- D516,827 S * 3/2006 Mourgue D6/366
- D554,382 S * 11/2007 Nobles et al. D6/366
- D560,380 S * 1/2008 Mourgue D6/366
- D568,617 S * 5/2008 Jehs et al. D6/366

* cited by examiner

Primary Examiner—Mimosa De

(74) *Attorney, Agent, or Firm*—Shoemaker and Mattare

(57) **CLAIM**

The ornamental design for a chair, as shown and described.

DESCRIPTION

FIG. 1 is a rear elevational view of a chair, showing my new design;

FIG. 2 is a front elevational view thereof;

FIG. 3 is a right side view thereof;

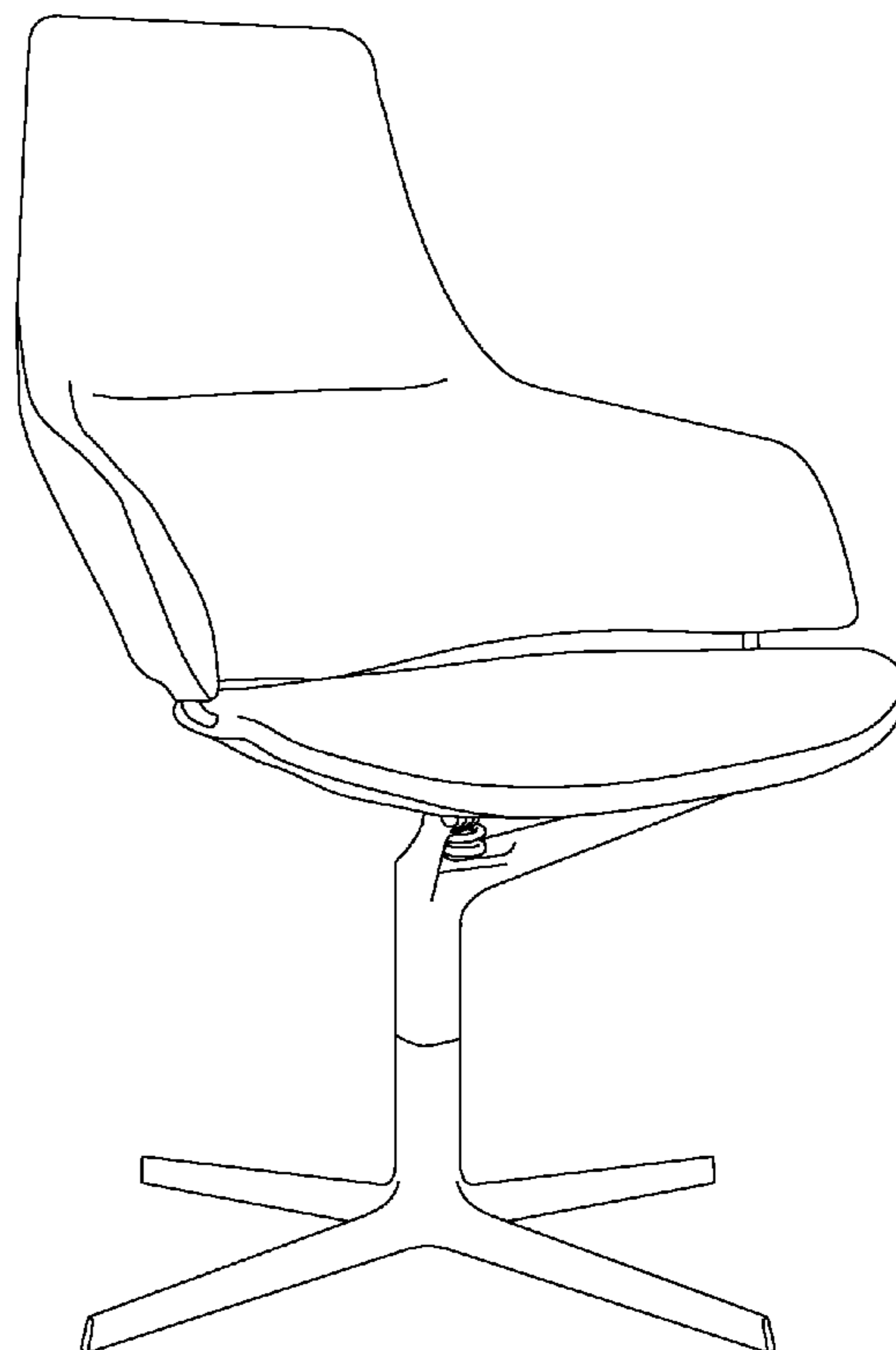
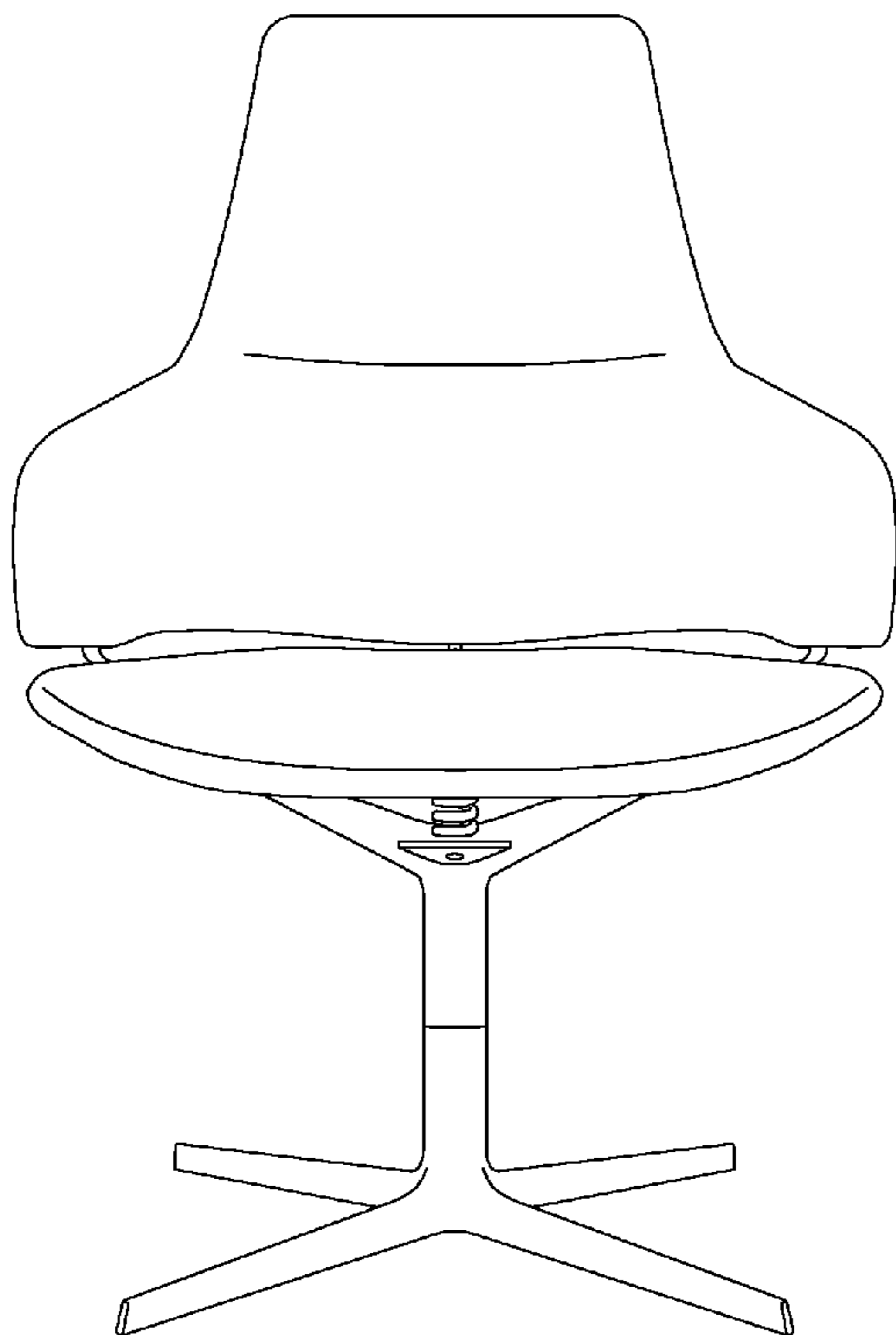
FIG. 4 is a perspective view thereof, from the front and right side;

FIG. 5 is a left side view thereof;

FIG. 6 is a bottom plan view thereof; and,

FIG. 7 is a top plan view thereof.

1 Claim, 7 Drawing Sheets



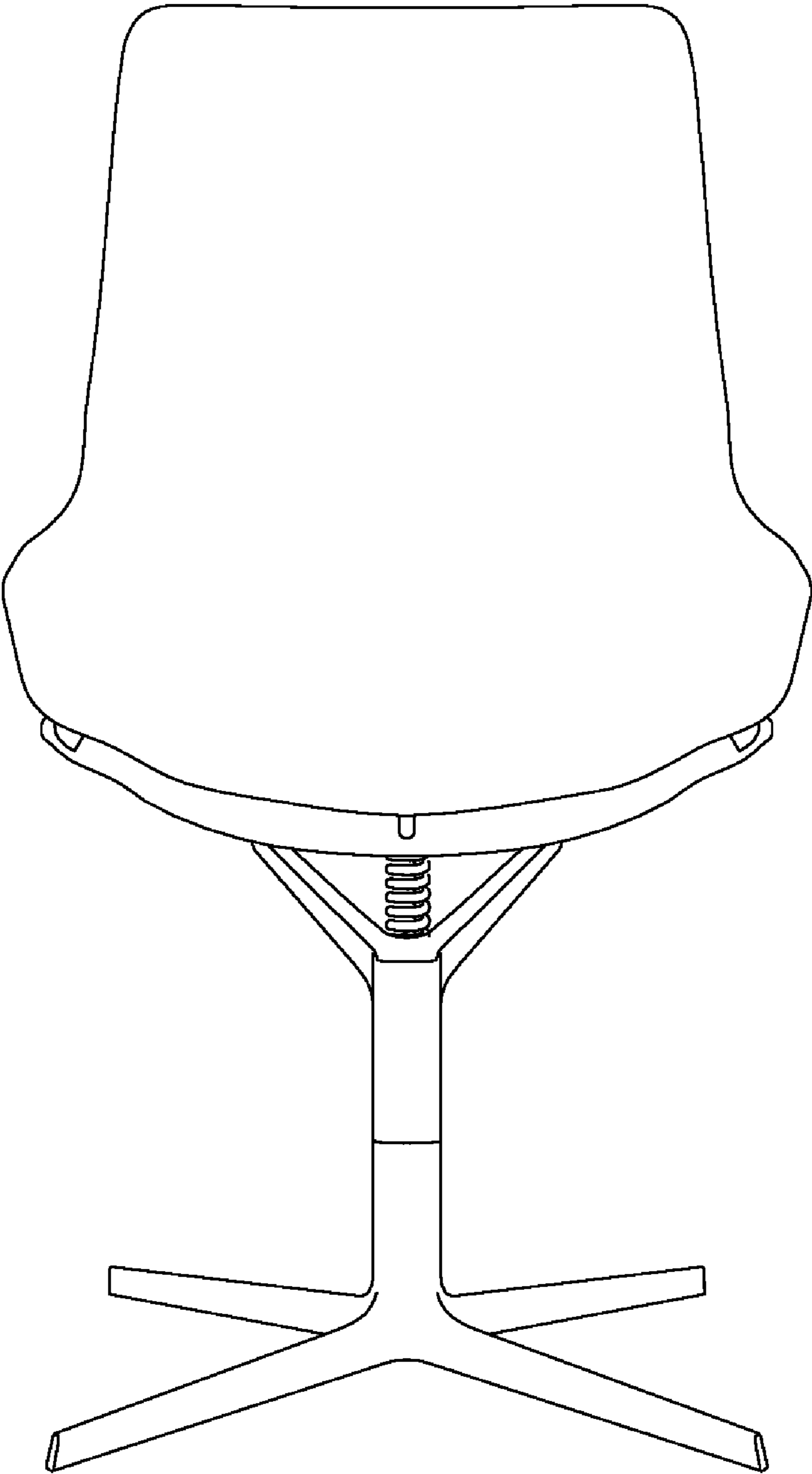


Fig. 1

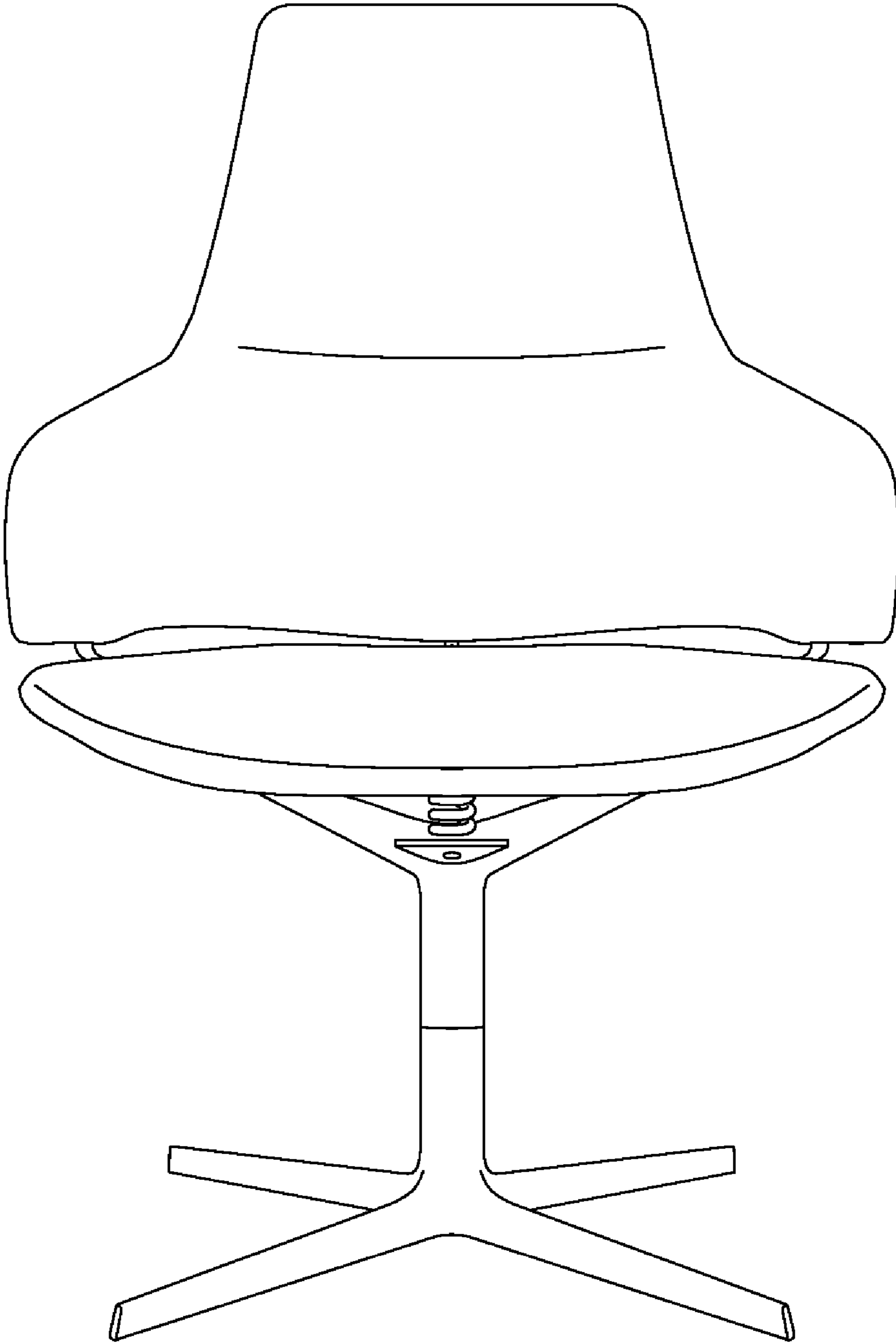


Fig. 2

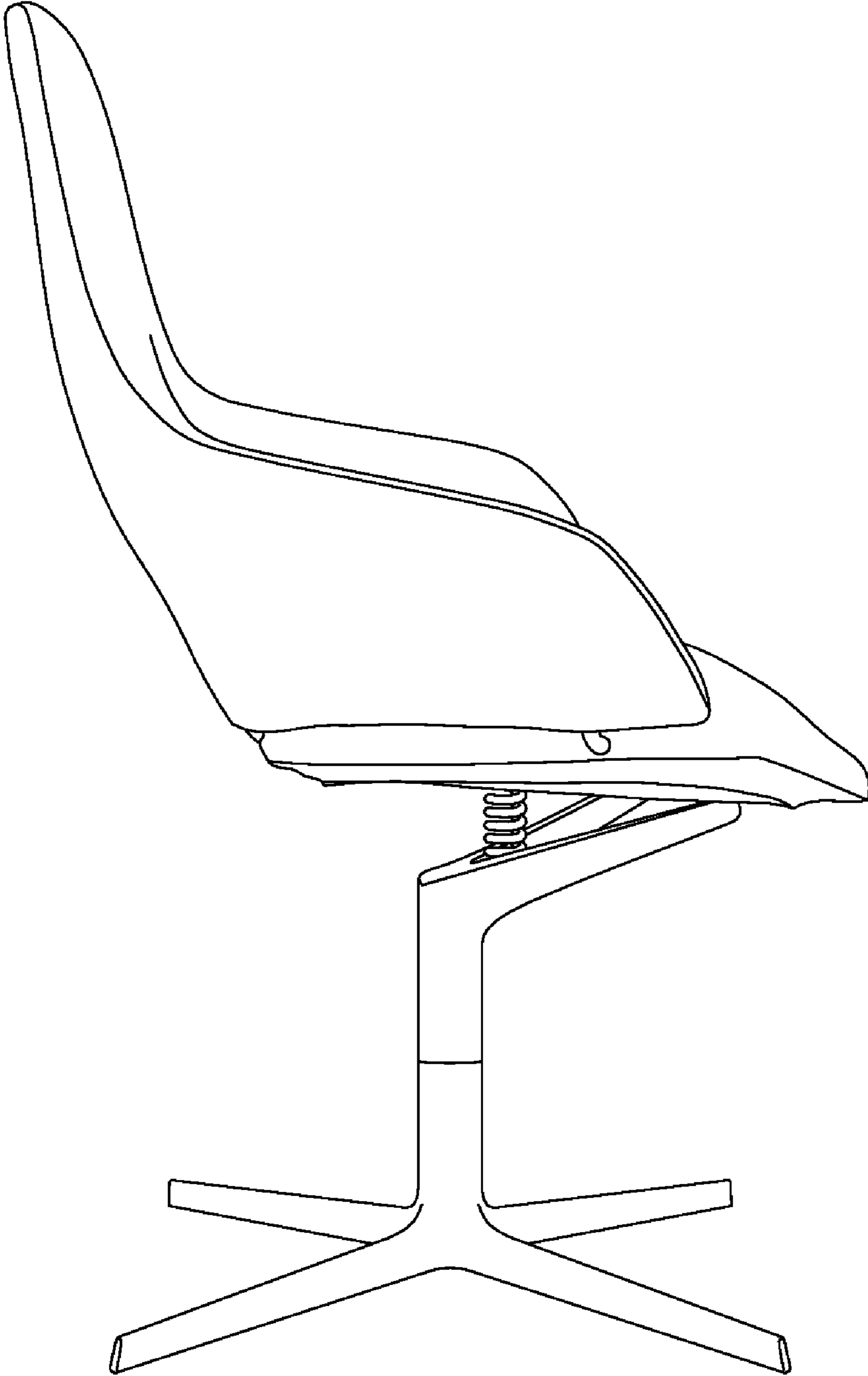


Fig. 3

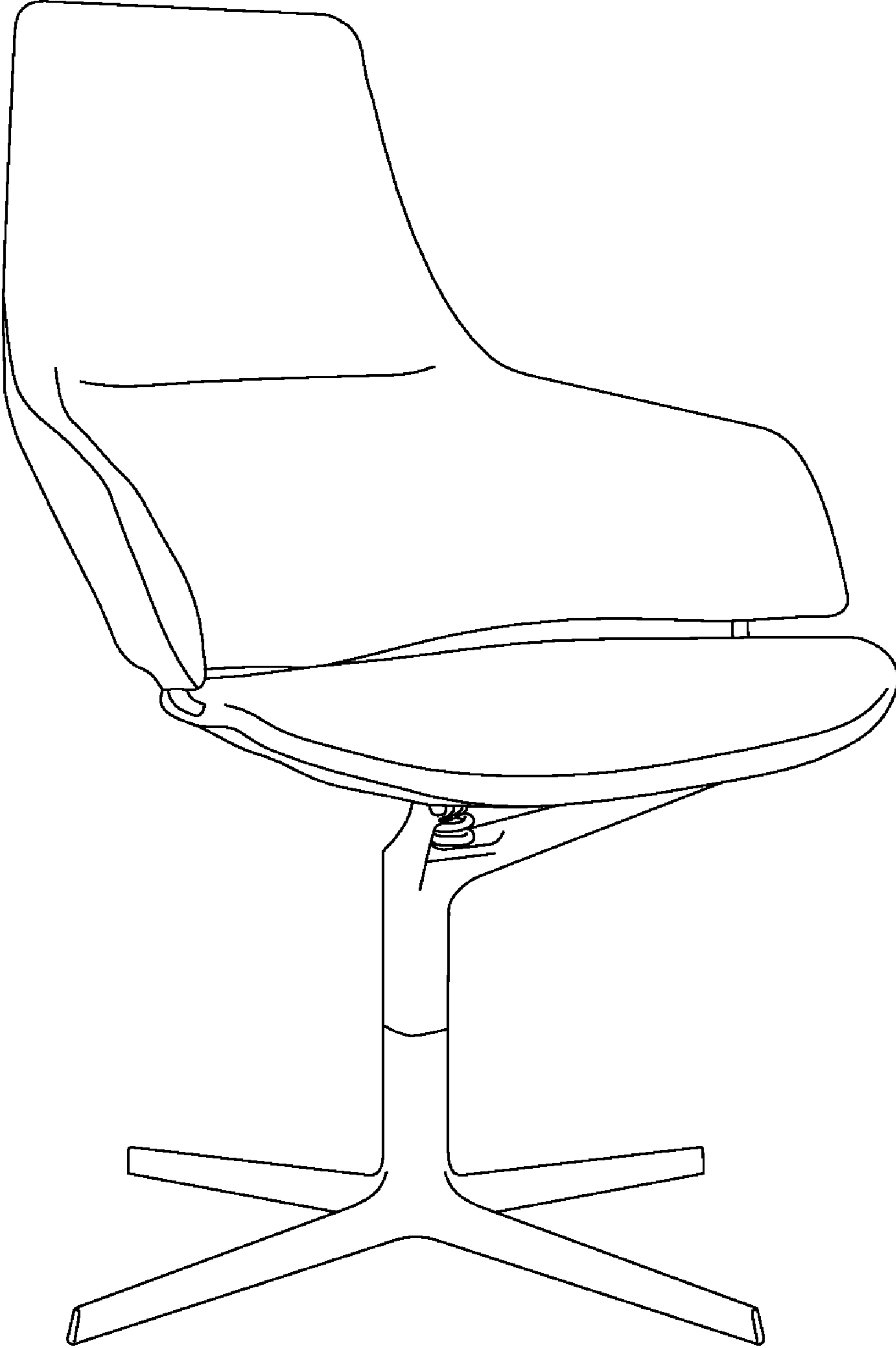


Fig. 4

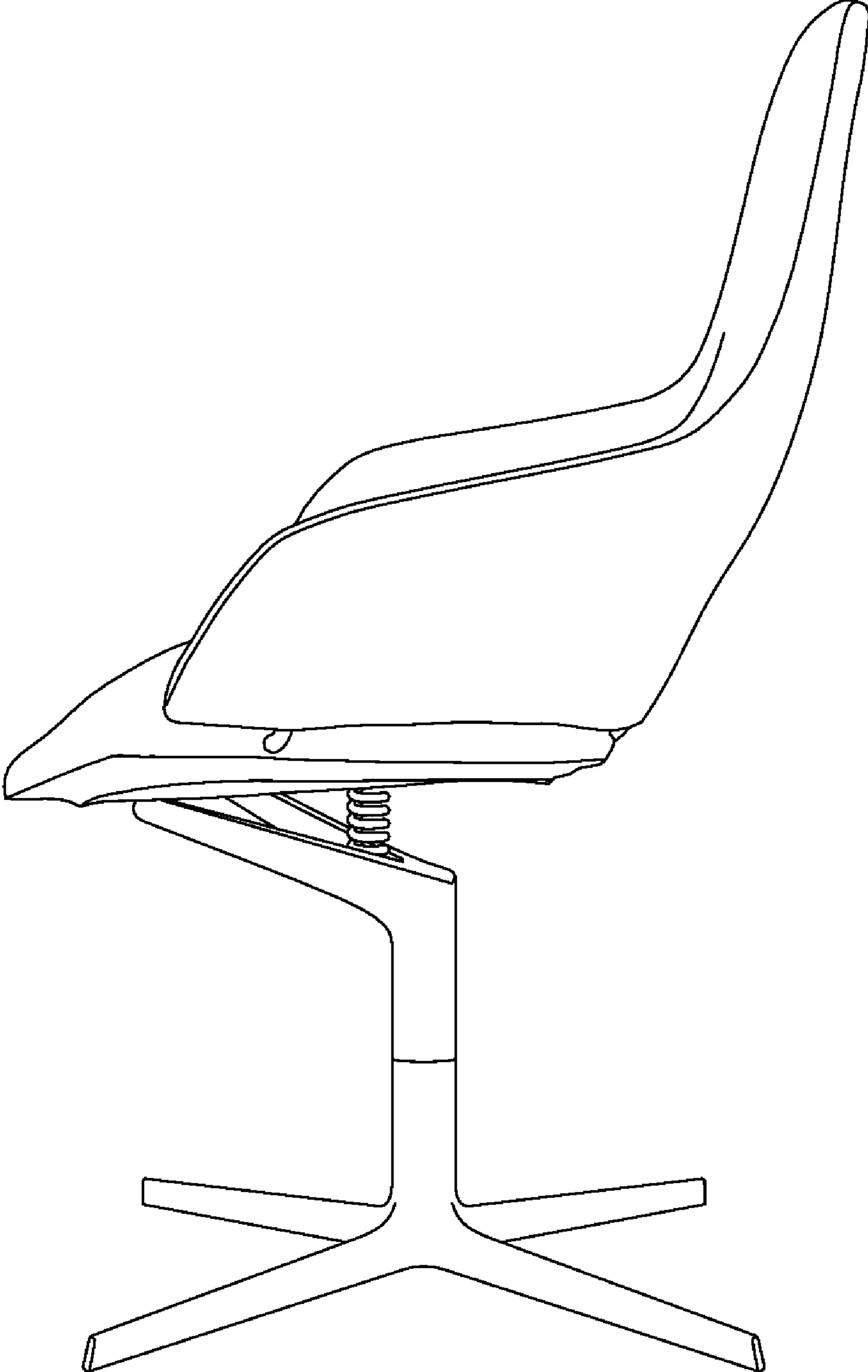


Fig. 5

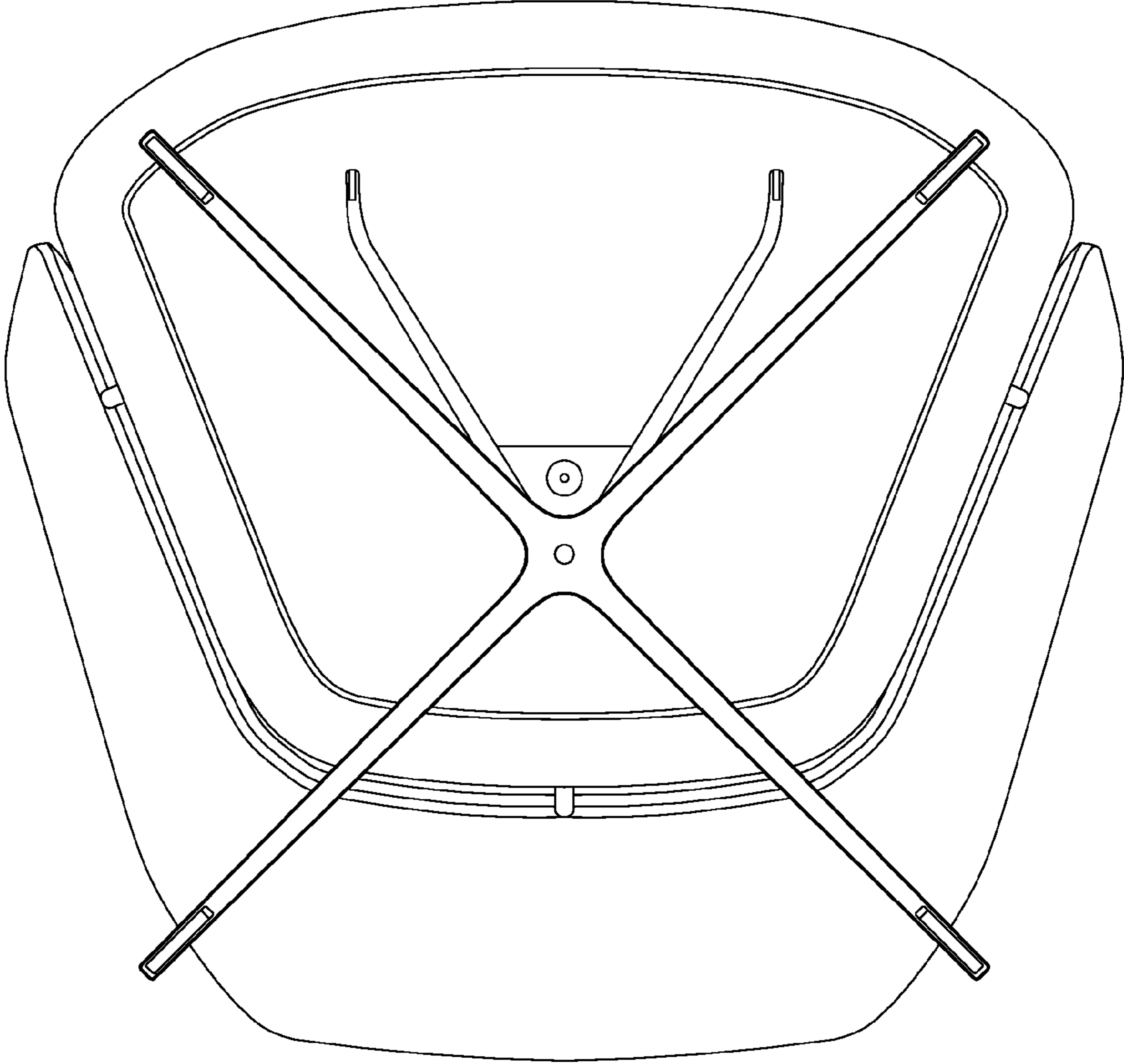


Fig. 6

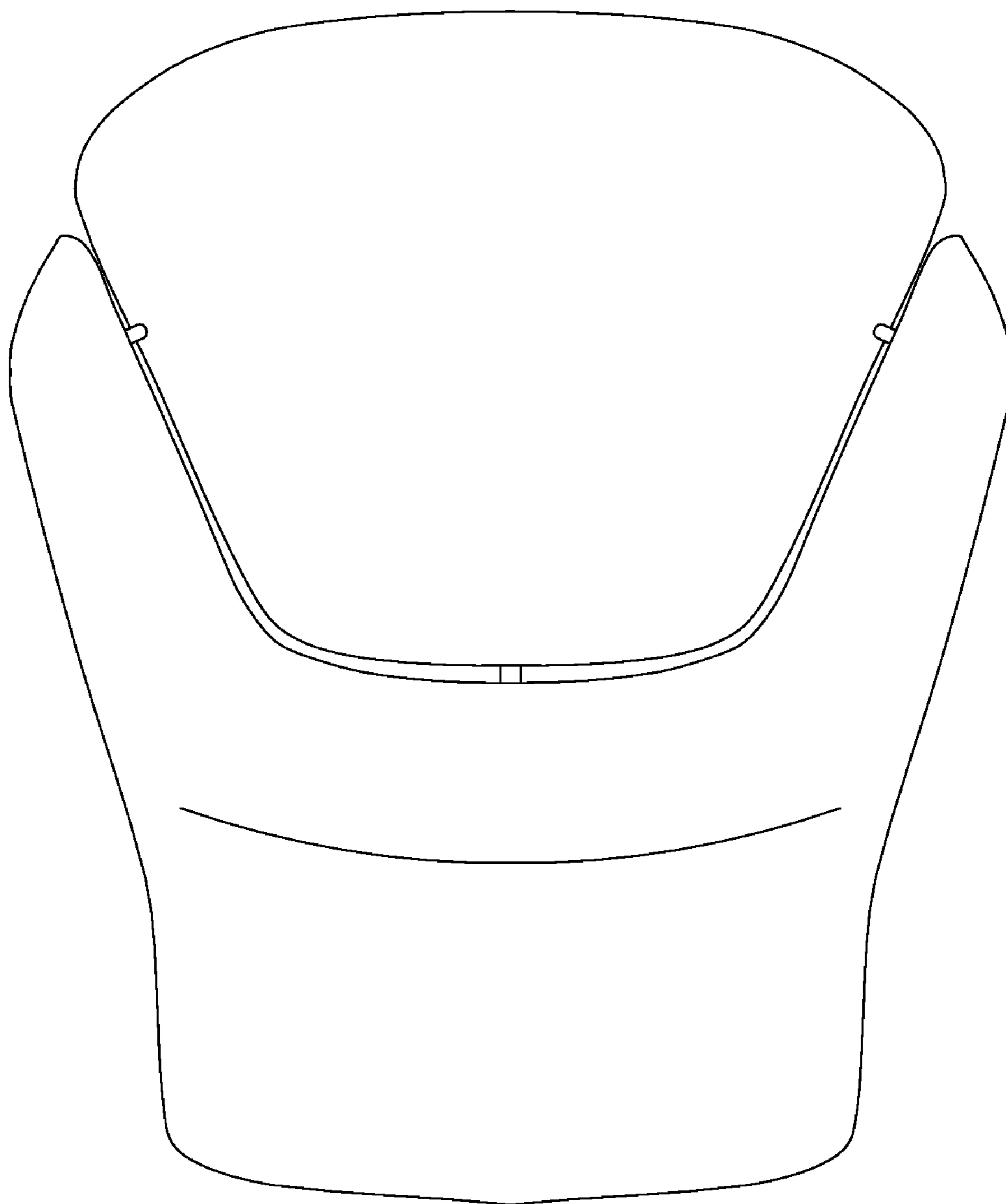


Fig. 7

UNITED STATES PATENT AND TRADEMARK OFFICE
CERTIFICATE OF CORRECTION

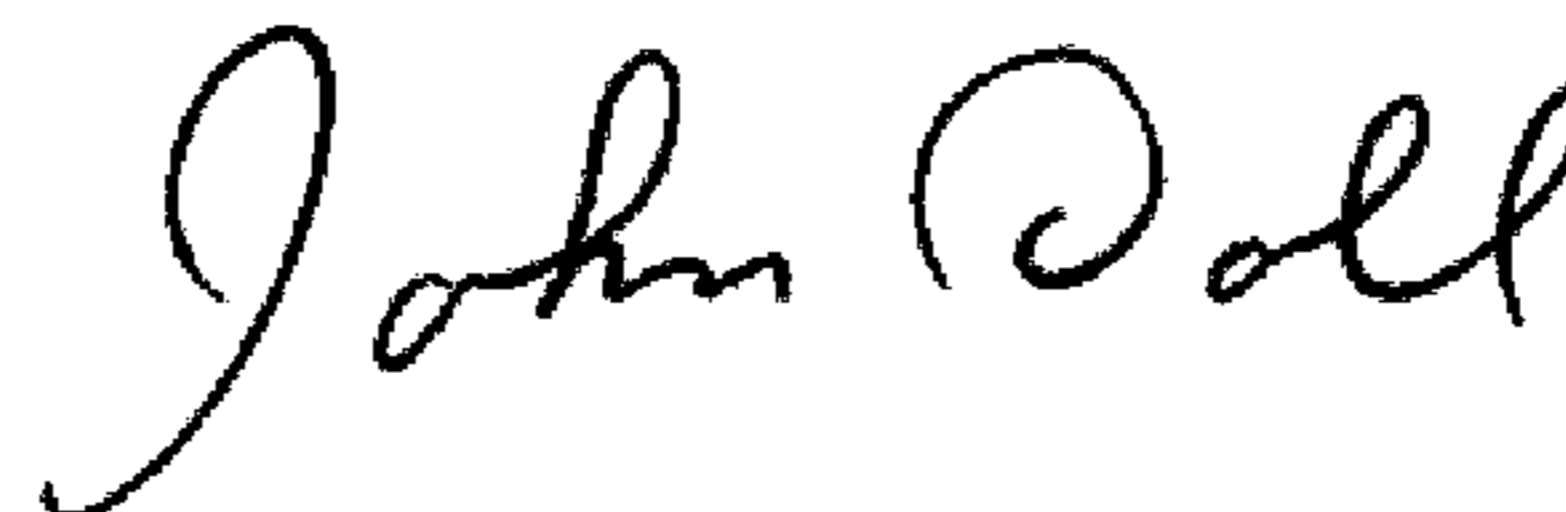
PATENT NO. : Des. 584,521 S
APPLICATION NO. : 29/322576
DATED : January 13, 2009
INVENTOR(S) : Massaud

Page 1 of 1

It is certified that error appears in the above-identified patent and that said Letters Patent is hereby corrected as shown below:

On the Title Page, Item (30) should be inserted to read
-- (30) Foreign Application Priority Data
Feb. 7, 2008 (IT)BS2008O000011 --

Signed and Sealed this
Seventh Day of April, 2009



JOHN DOLL
Acting Director of the United States Patent and Trademark Office