



US00D584519S

(12) **United States Design Patent**
Gamboa

(10) **Patent No.:** **US D584,519 S**
(45) **Date of Patent:** **** Jan. 13, 2009**

(54) **COMBINATION BELT/TIE HANGER**

(76) Inventor: **Ricardo Gamboa**, 909 Divina Vista St.,
Monterey Park, CA (US) 91754

(**) Term: **14 Years**

(21) Appl. No.: **29/305,641**

(22) Filed: **Mar. 25, 2008**

(51) **LOC (9) Cl.** **06-07**

(52) **U.S. Cl.** **D6/328; D6/466**

(58) **Field of Classification Search** D6/407,
D6/317, 462, 511, 491, 466, 315, 328; 211/189,
211/106.01, 85.3, 94.01, 87.01, 124, 13.1,
211/61, 119, 133.2, 133.5, 181.1; 223/85,
223/87, 97, DIG. 1.3

See application file for complete search history.

(56) **References Cited**

U.S. PATENT DOCUMENTS

2,985,315	A *	5/1961	Paruolo	211/189
D231,178	S *	4/1974	Wright	D6/407
4,958,738	A *	9/1990	Lee	211/106.01
D334,291	S *	3/1993	Rooke	D6/317
D473,073	S *	4/2003	Kettering et al.	D6/462
D544,261	S *	6/2007	Nawrocki	D6/511
2006/0266721	A1 *	11/2006	Gregory	211/85.3

* cited by examiner

Primary Examiner—Caron Veynar
Assistant Examiner—Sydney R Buffalow

(74) *Attorney, Agent, or Firm*—Kelly Lowry & Kelley, LLP

(57) **CLAIM**

The ornamental design for a combination belt/tie hanger, as shown and described.

DESCRIPTION

FIG. 1 is a perspective view of a combination belt/tie hanger embodying my new design, wherein an upper portion of an exemplary hanger and exemplary belts are shown in phantom;

FIG. 2 is a another perspective view of the combination belt/tie hanger embodying the present invention, wherein a second exemplary hanger upper portion is sown in phantom;

FIG. 3 is a front elevational view thereof;

FIG. 4 is a rear elevational view thereof;

FIG. 5 is a right-side elevational view thereof;

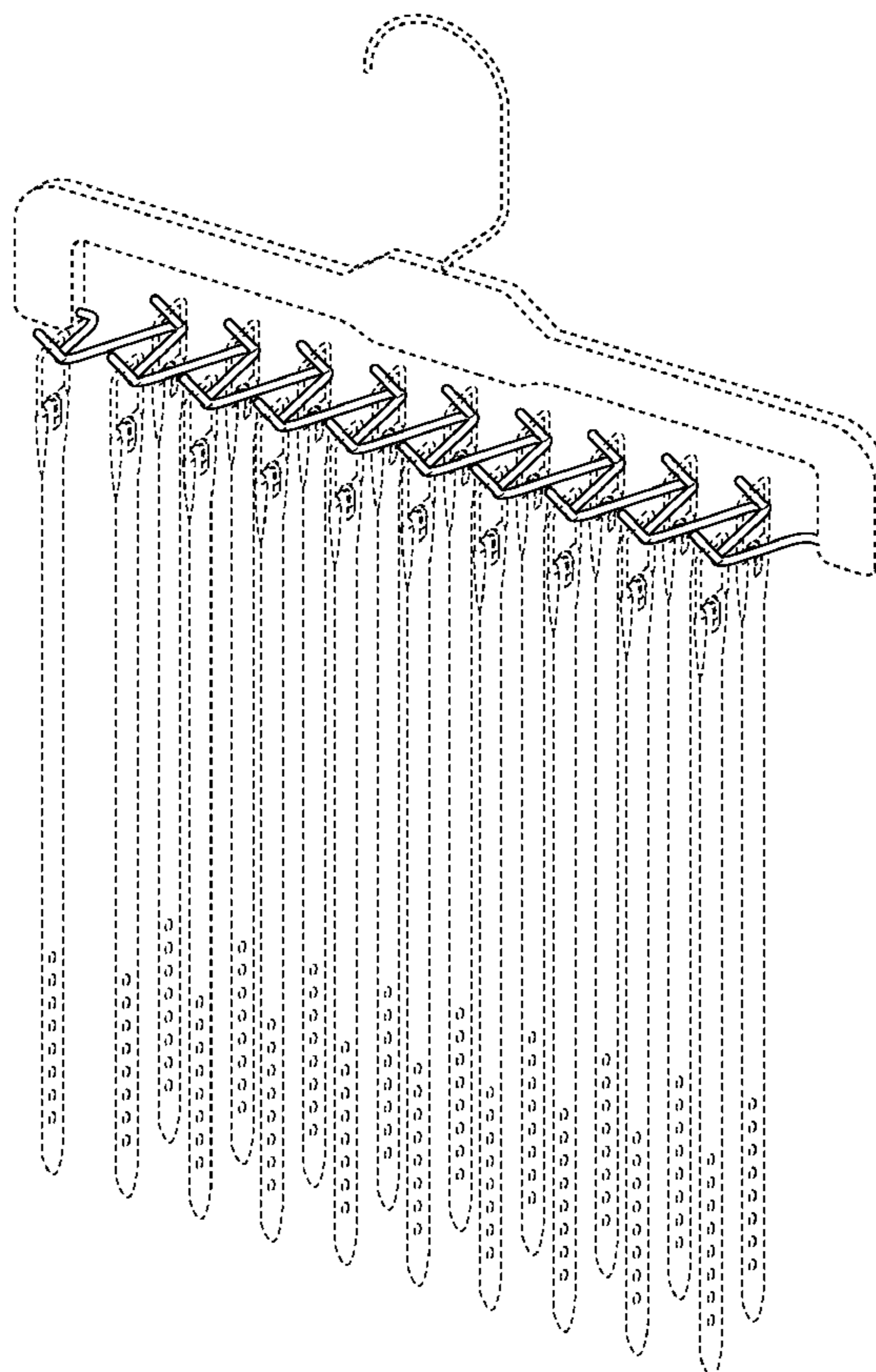
FIG. 6 is a left-side elevational view thereof;

FIG. 7 is a top plan view thereof; and,

FIG. 8 is a bottom plan view thereof.

The broken lines are for the illustrative purposes only and form no part of the claimed design.

1 Claim, 2 Drawing Sheets



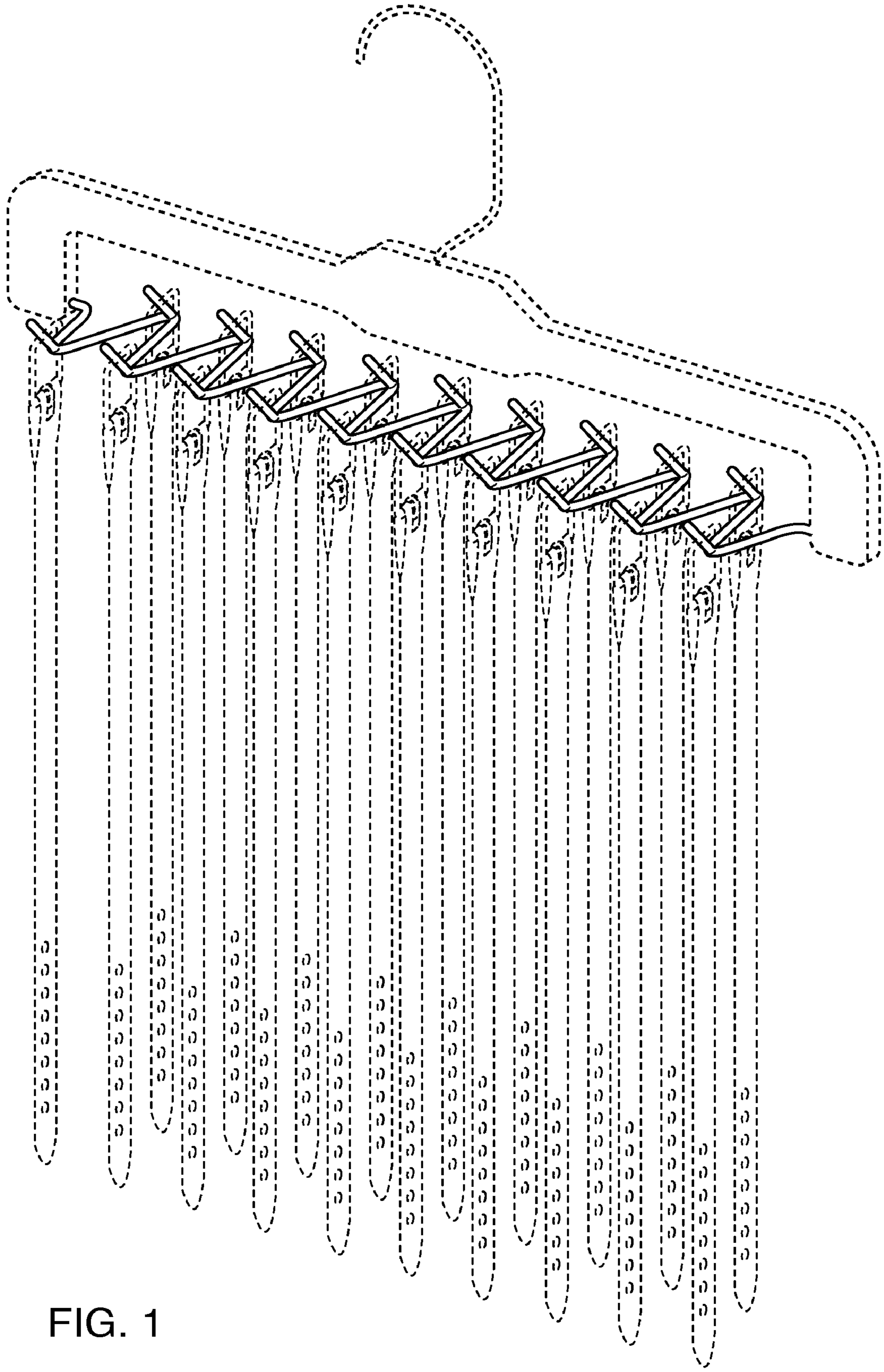


FIG. 1

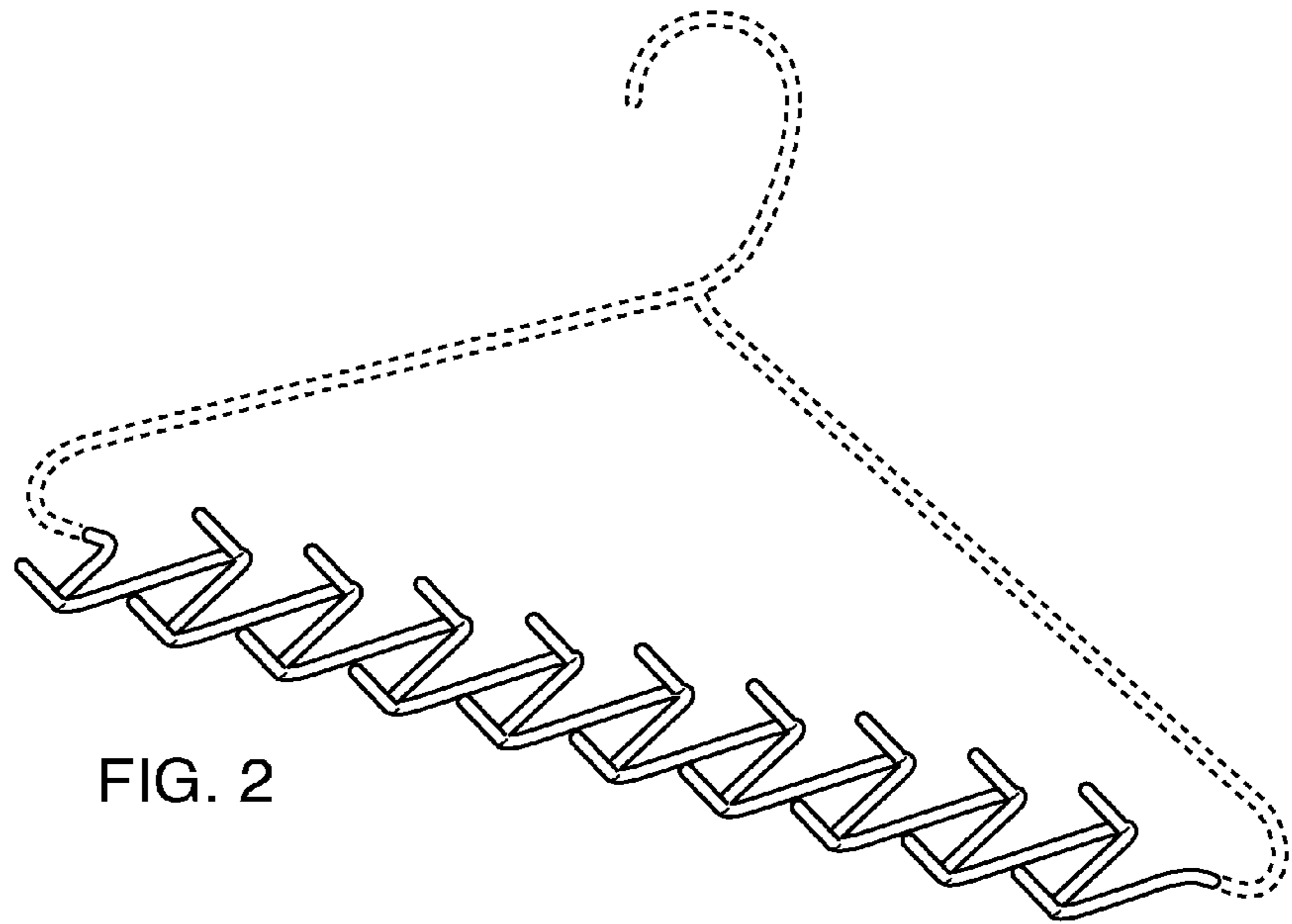


FIG. 2



FIG. 3



FIG. 4

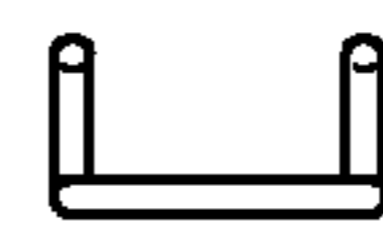


FIG. 5

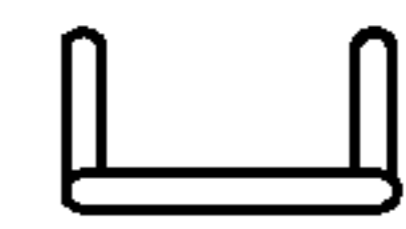


FIG. 6

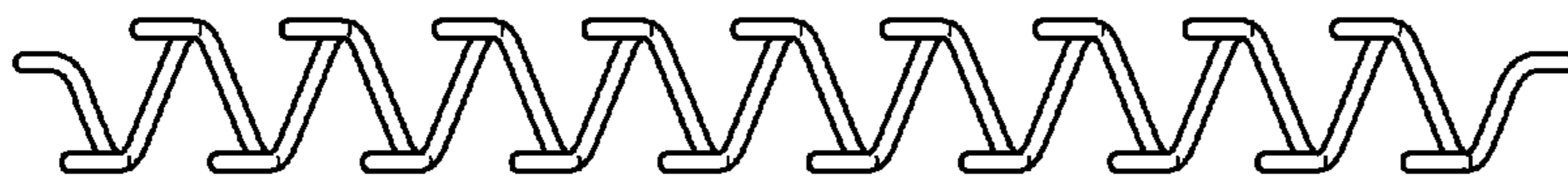


FIG. 7



FIG. 8