



US00D584512S

(12) **United States Design Patent**
Trace

(10) **Patent No.:** **US D584,512 S**
(45) **Date of Patent:** **** Jan. 13, 2009**

(54) **COMBINATION**
TOOTHBRUSH/TOOTHPASTE DISPENSER

(76) Inventor: **Steven L. Trace**, 19 Gabonia Ave
Watsonia, Melbourne (AU) A7 3087

(**) Term: **14 Years**

(21) Appl. No.: **29/320,683**

(22) Filed: **Jul. 1, 2008**

(51) **LOC (9) Cl.** **04-02**

(52) **U.S. Cl.** **D4/108**

(58) **Field of Classification Search** D4/104-112,
D4/114, 121, 134, 138; 15/143.1, 167.1,
15/167.2; 132/308-311; 401/183-186, 269,
401/270, 276, 278, 279, 287, 291
See application file for complete search history.

(56) **References Cited**

U.S. PATENT DOCUMENTS

- 3,227,165 A * 1/1966 Costanza 401/178
- D233,574 S * 11/1974 Reitknecht D4/108
- D321,092 S * 10/1991 Woll et al. D4/106
- D465,088 S * 11/2002 Blaustein et al. D4/101
- D504,018 S * 4/2005 Miller D4/108
- D517,324 S * 3/2006 Whitney et al. D4/101
- 7,360,961 B1 * 4/2008 Deane et al. 401/188 R

2007/0086831 A1* 4/2007 Wold 401/188 R

* cited by examiner

Primary Examiner—Cathron C Brooks

Assistant Examiner—Lavone D Tabor

(57) **CLAIM**

We claim, the ornamental design for the combination toothbrush/toothpaste dispenser, as shown and described.

DESCRIPTION

FIG. 1 is an exploded front elevational view of the combination toothbrush/toothpaste dispenser showing my new design;

FIG. 2 is a rear elevational view of the combination toothbrush/toothpaste dispenser thereof;

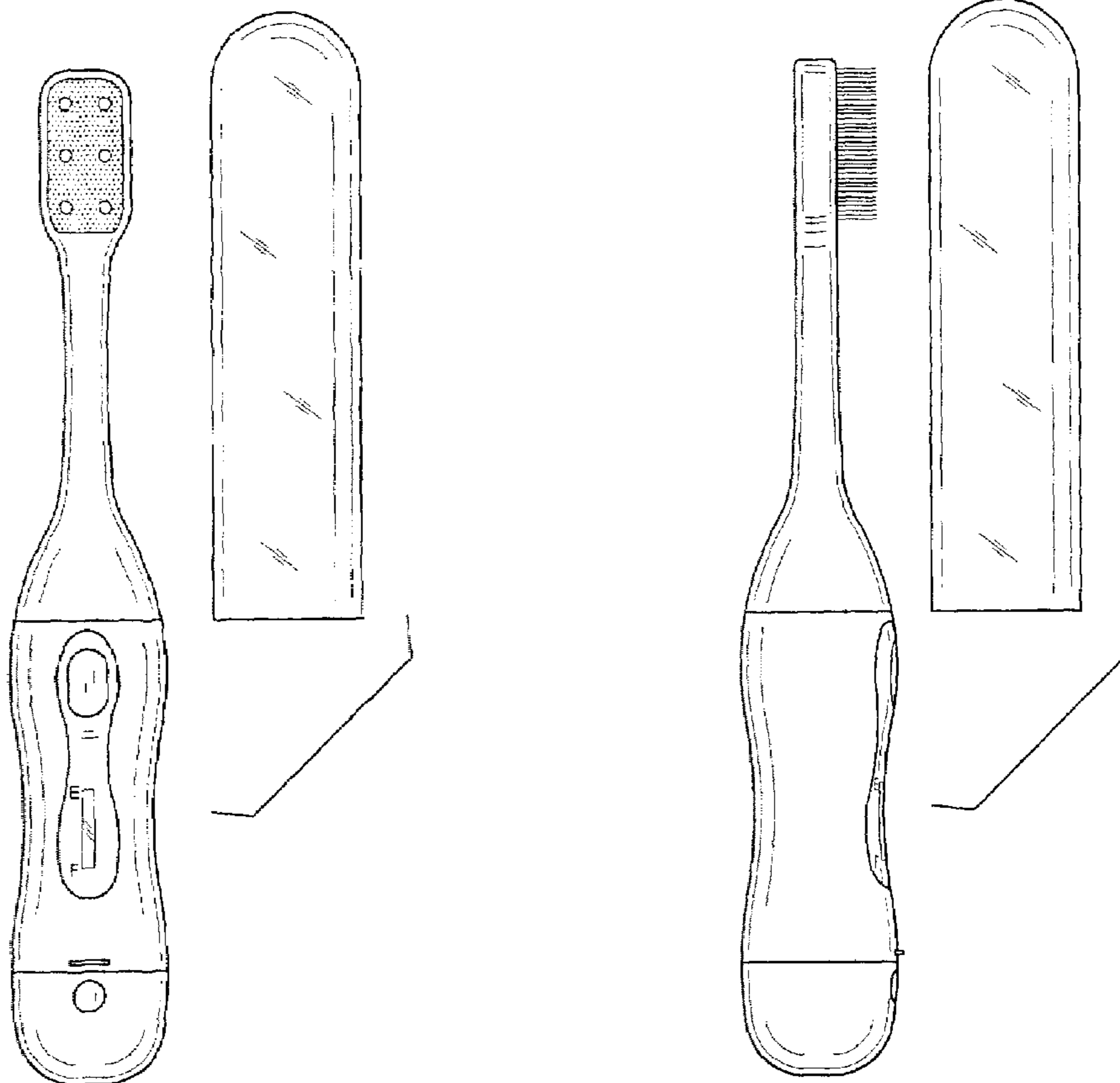
FIG. 3 is a left-side elevational view of the combination toothbrush/toothpaste dispenser thereof;

FIG. 4 is right side elevational view of the combination toothbrush/toothpaste dispenser thereof;

FIG. 5 is a top plan view of the combination toothbrush/toothpaste dispenser thereof; and,

FIG. 6 is a bottom plan view of the combination toothbrush/toothpaste dispenser thereof.

1 Claim, 2 Drawing Sheets



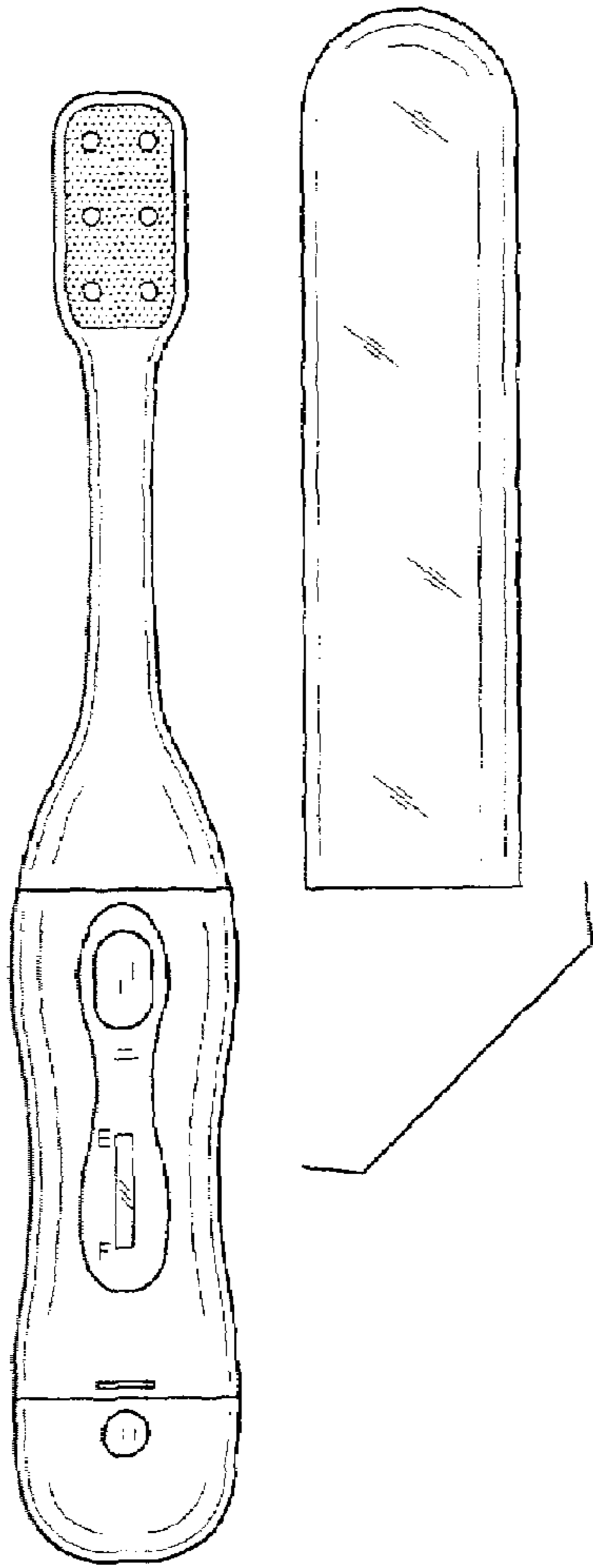


FIG. 1

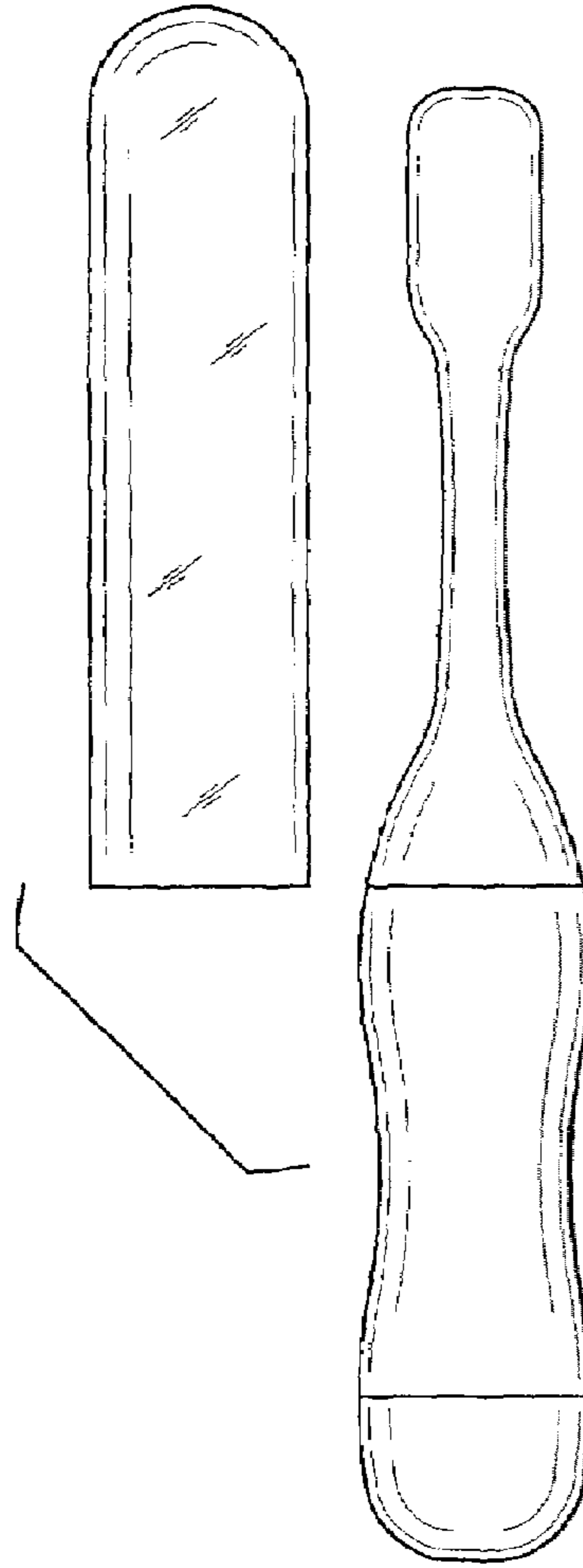


FIG. 2

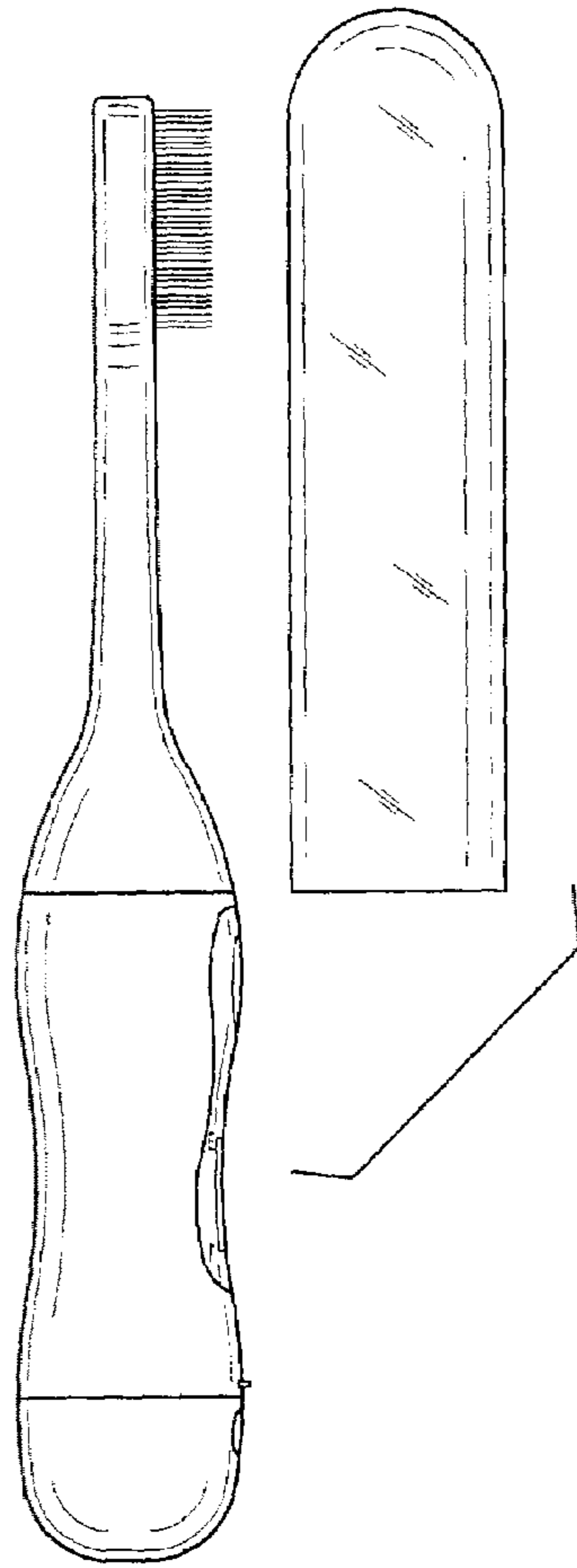


FIG. 3

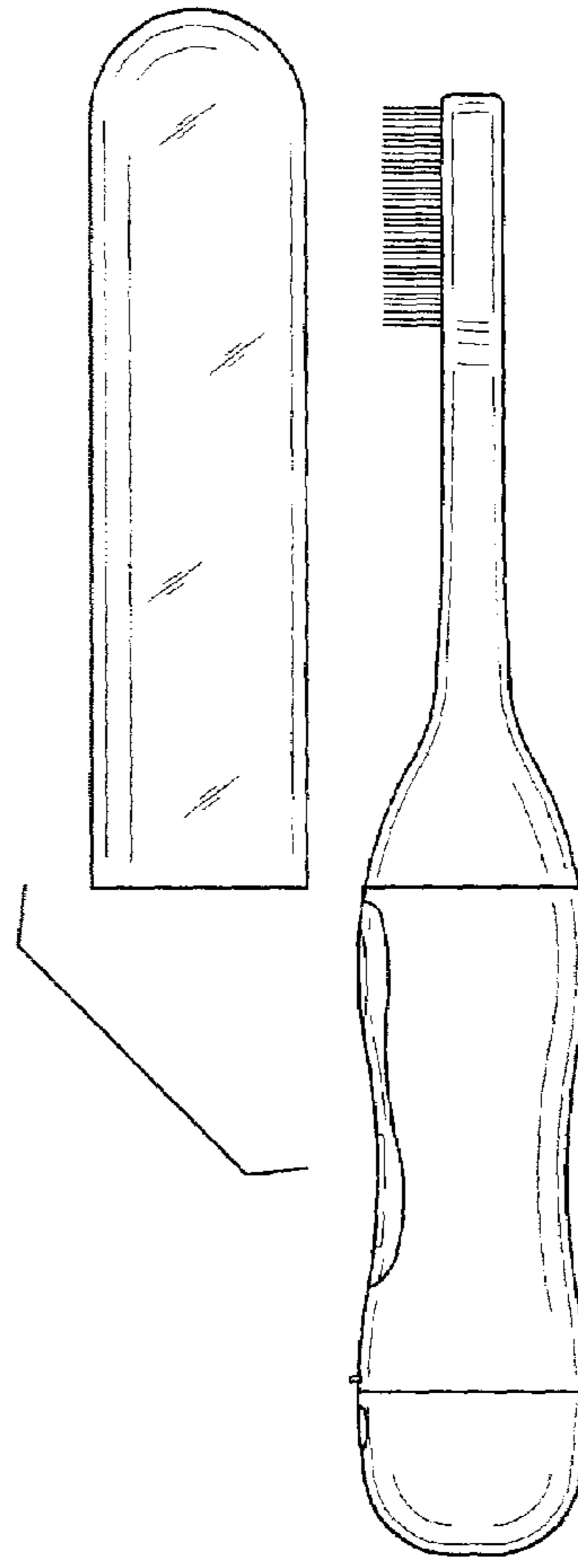


FIG. 4

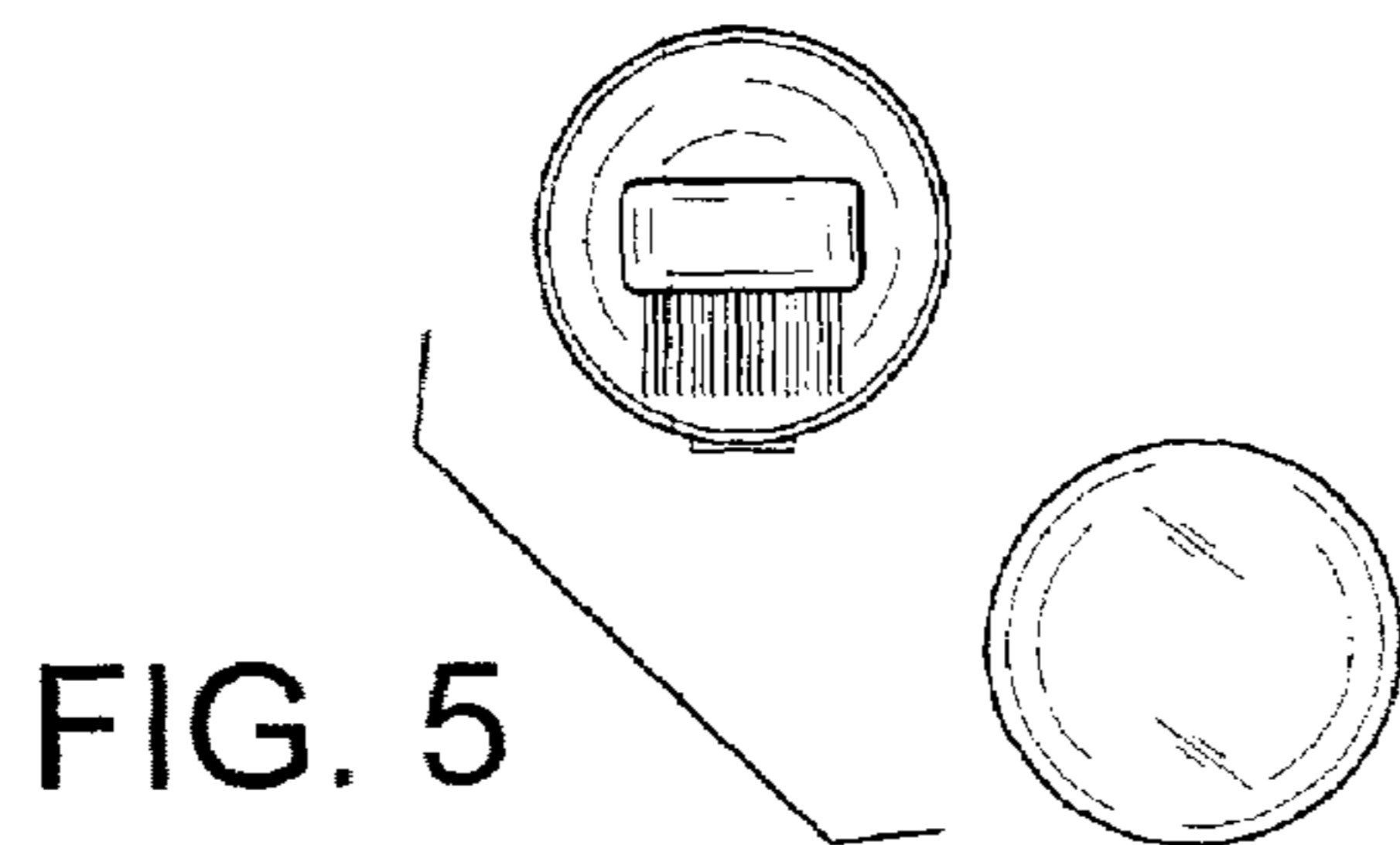


FIG. 5

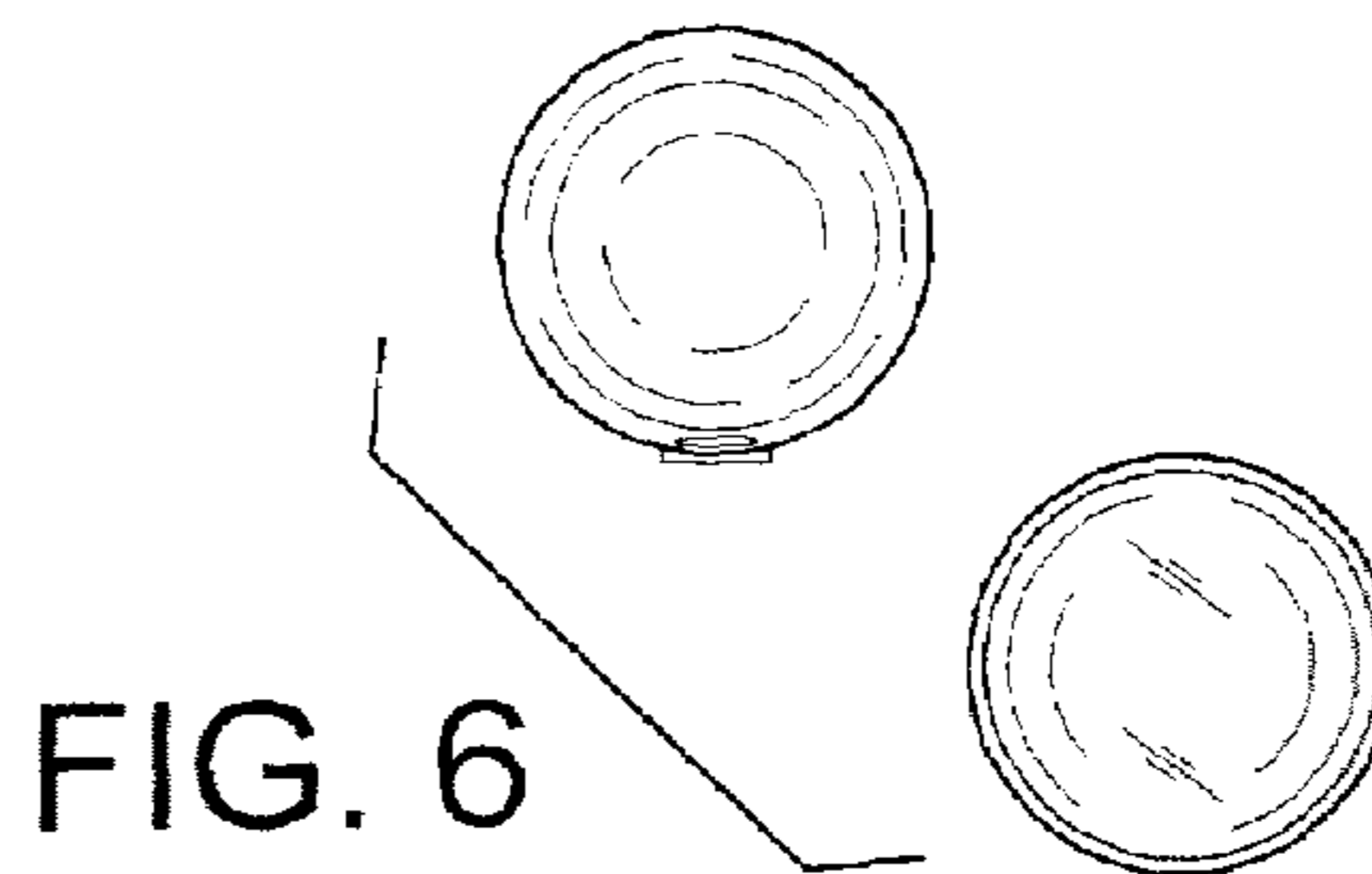


FIG. 6