



US00D584511S

(12) **United States Design Patent**  
**Decarlo et al.**

(10) **Patent No.:** **US D584,511 S**  
(45) **Date of Patent:** **\*\* Jan. 13, 2009**

(54) **STORAGE DEVICE**

OTHER PUBLICATIONS

(75) Inventors: **Anthony J. Decarlo**, Kirtland, OH (US);  
**Daniel V. Perella**, Hudson, OH (US);  
**Vincent J. Thomson**, Avon Lake, OH  
(US)

Vaultz Tool Box VZ01271 Official Page. Downloaded Aug. 31, 2008  
at <http://www.ideastreamproducts.com/vaultz/Vaultz%20Toolbox.html>.\*

(73) Assignee: **Ideastream Consumer Products, LLC**,  
Parma, OH (US)

*Primary Examiner*—Roselynn Cody

(74) *Attorney, Agent, or Firm*—Pillsbury Winthrop Shaw  
Pittman LLP

(\*\*) Term: **14 Years**

(21) Appl. No.: **29/278,137**

(57) **CLAIM**

(22) Filed: **Mar. 20, 2007**

The ornamental design for a storage device, as shown and  
described.

(51) **LOC (9) Cl.** ..... **03-01**

(52) **U.S. Cl.** ..... **D3/322**

(58) **Field of Classification Search** ..... D3/272–273,  
D3/276, 284, 286, 291, 321–322, 905; 190/19,  
190/25, 37, 39, 100, 115, 127; 206/349,  
206/372–373

**DESCRIPTION**

See application file for complete search history.

A portion of the disclosure of this patent document contains  
material to which a claim for copyright is made. The copy-  
right owner has no objection to the facsimile reproduction of  
the patent document or the patent disclosure, as it appears in  
the Patent and Trademark Office patent file or records, but  
reserves all other copyrights whatsoever.

(56) **References Cited**

U.S. PATENT DOCUMENTS

601,831	A *	4/1898	Hayden, Jr. ....	190/37
607,132	A *	7/1898	Rich .....	190/37
653,889	A *	7/1900	Rubel .....	190/37
774,575	A *	11/1904	Fowler .....	190/37
836,227	A *	11/1906	Walker et al. ....	190/37
903,668	A	11/1908	Carl	
941,969	A	11/1909	Williams	
1,134,219	A *	4/1915	Myers .....	190/37
1,195,910	A *	8/1916	Cochrane .....	190/37
1,533,856	A *	4/1925	Harrison .....	190/19
D67,730	S	6/1925	Wheary	
D71,465	S	11/1926	Langmuir	
1,767,143	A	6/1930	Laduke	
D108,941	S	3/1938	Goldberg	
2,182,604	A *	12/1939	Wheary .....	190/37
D129,108	S	8/1941	Sprague	
2,268,450	A *	12/1941	Haggett .....	353/72
D152,482	S	1/1949	Kendall et al.	
2,476,568	A	7/1949	Sullivan	

FIG. 1 is a perspective view of a storage device embodying  
one aspect of our new design;

FIG. 2 is a front elevation view of the storage device of FIG.  
1;

FIG. 3 is a rear elevational view of the storage device of FIG.  
1;

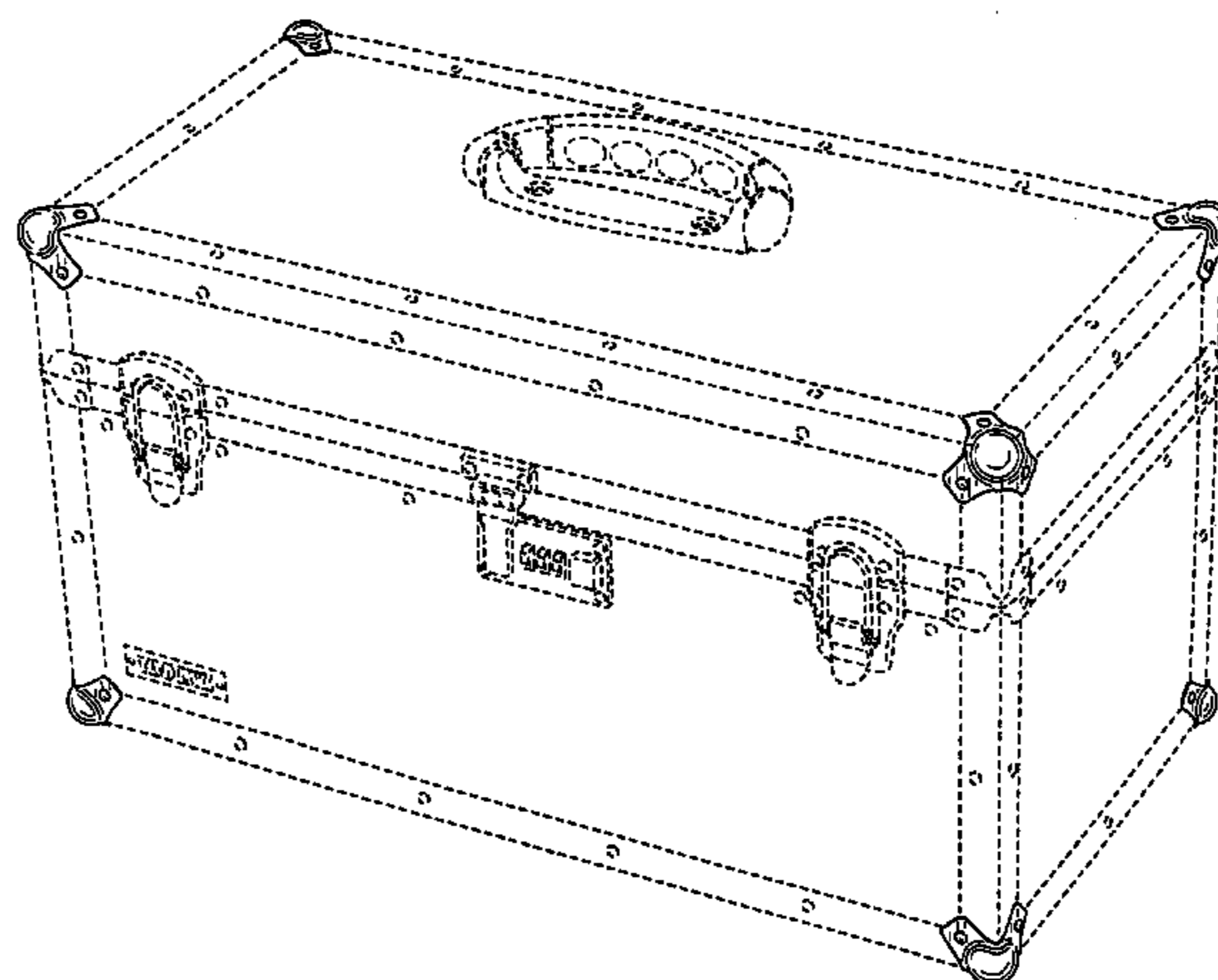
FIG. 4 is a right side profile view of the storage device of FIG.  
1, it being understood that the left side profile view is a mirror  
image;

FIG. 5 is a top plan view of the storage device of FIG. 1; and,  
FIG. 6 is a bottom plan view of the storage device of FIG. 1.

The subject matter shown in broken lines is directed to envi-  
ronment and forms no part of the claimed design.

(Continued)

**1 Claim, 6 Drawing Sheets**



# US D584,511 S

U.S. PATENT DOCUMENTS					
			D401,408 S	11/1998	Sun et al.
2,511,949 A	6/1950	Simon	5,865,310 A	2/1999	Lee
D160,949 S	11/1950	Knell	D410,351 S	6/1999	Magnusson et al.
2,558,839 A	7/1951	Goldberg	D414,037 S	9/1999	Akaike et al.
2,626,025 A	1/1953	Sherman	D414,646 S	10/1999	Ouguergouz
2,631,725 A	3/1953	Miller	D415,614 S	10/1999	Akaike et al.
D170,965 S	12/1953	Claus	D419,766 S	2/2000	Rekuc
D202,160 S	8/1965	Territo et al.	D431,392 S	10/2000	Felsenthal
D232,782 S	9/1974	Kryter	6,193,340 B1	2/2001	Schenker et al.
D247,993 S	5/1978	Calzone, III	D439,044 S	3/2001	Cheng
D256,737 S	9/1980	Woodhall	D454,750 S	3/2002	Bieda
D268,380 S	3/1983	Thiele	D460,878 S	7/2002	Keller
4,509,622 A	4/1985	Morszeck	D461,339 S	8/2002	Keller
D285,626 S	9/1986	Yen	D467,078 S	12/2002	Snider
D287,429 S	12/1986	Esslinger	D467,428 S	12/2002	Wolf
D288,751 S	3/1987	Fuss et al.	6,513,889 B1	2/2003	Park
D288,753 S	3/1987	Fuss et al.	D471,382 S	3/2003	Jackson
D288,863 S	3/1987	Vuitton	D482,210 S	11/2003	Bishop
4,669,587 A	6/1987	Zitt	D484,352 S	12/2003	Palmer
D296,153 S	6/1988	Reichow	D488,321 S	4/2004	Perella
D297,385 S	8/1988	Bennett	D490,206 S	5/2004	Perella
4,782,972 A	11/1988	Wenkman et al.	D492,358 S	6/2004	Chen
4,892,334 A	1/1990	Sinclair	D493,303 S	7/2004	Perella
D308,137 S	5/1990	Grecchi	D493,936 S	8/2004	Perella
D314,666 S	2/1991	Lanius	D495,746 S	9/2004	Chen
5,000,301 A	3/1991	Grenier	D496,791 S	10/2004	Perella
D322,884 S	1/1992	Martinez	D497,252 S	10/2004	Perella
D329,134 S	9/1992	Tokuda et al.	D498,049 S	11/2004	Perella
D331,663 S	12/1992	Roncato	D499,883 S	12/2004	Perella
D336,983 S	7/1993	Roberts et al.	D500,922 S	1/2005	Perella
D351,502 S	10/1994	Weir et al.	D501,083 S	1/2005	Perella
D358,055 S	5/1995	Long et al.	D501,995 S	2/2005	Perella
D364,053 S	11/1995	Hayashi et al.	D503,024 S	3/2005	Perella
D365,224 S	12/1995	Pohlman	D503,503 S	3/2005	Perella
D365,225 S	12/1995	Poortvliet et al.	D504,038 S	4/2005	Perella
5,513,066 A	4/1996	Berman	D504,039 S	4/2005	Perella
5,528,453 A	6/1996	Berman et al.	D505,042 S	5/2005	Perella
D378,164 S	2/1997	Lee	D509,357 S *	9/2005	Perella et al. .... D3/267
D379,477 S	5/1997	Shamoon	D511,035 S	10/2005	Perella
D386,614 S	11/1997	Smith	D515,809 S	2/2006	Perella
D388,251 S	12/1997	Smith	D516,316 S	3/2006	Perella
D393,526 S	4/1998	Robey et al.	D529,287 S *	10/2006	Perella et al. .... D3/294
5,755,180 A *	5/1998	Smith ..... 119/72			* cited by examiner

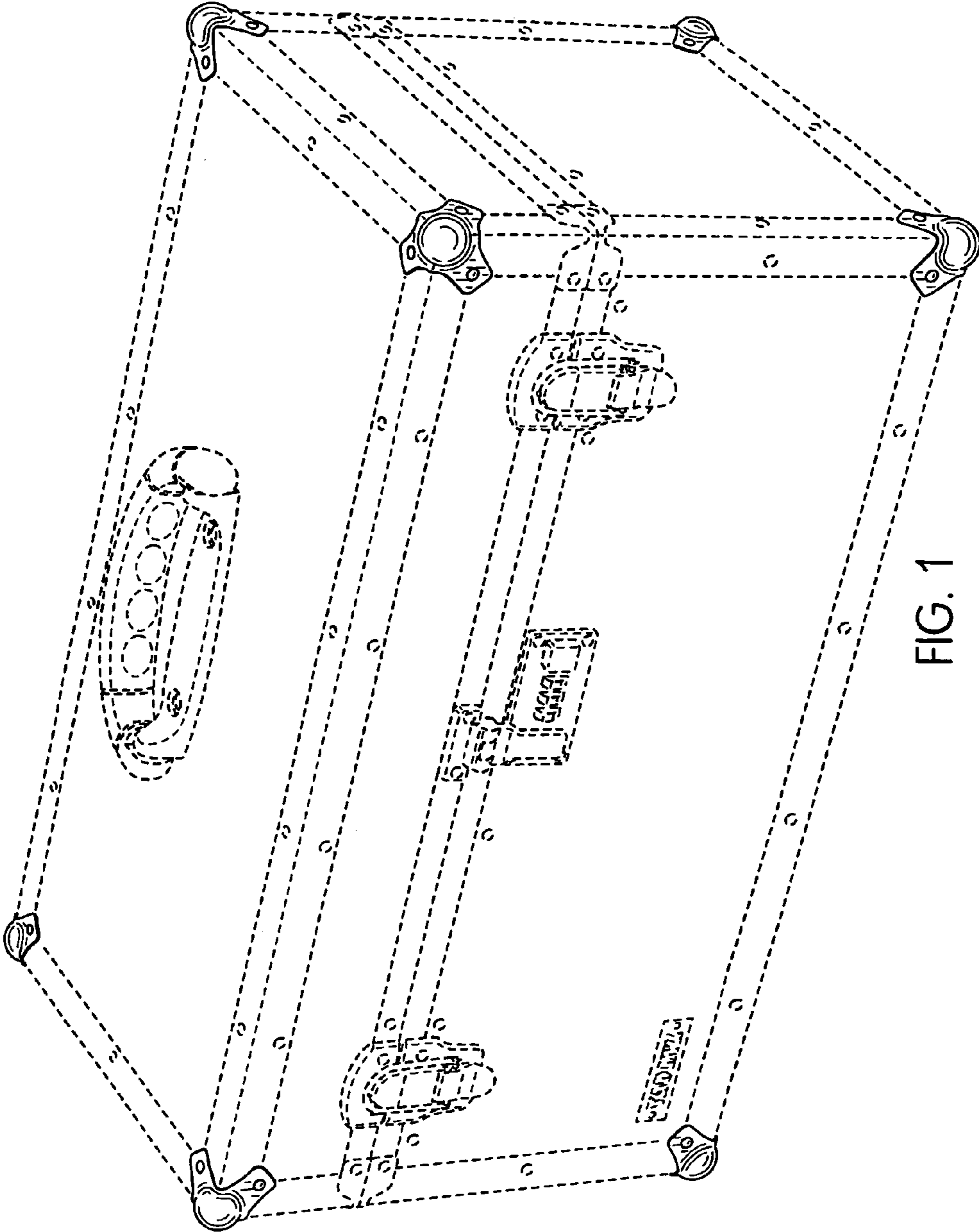


FIG. 1

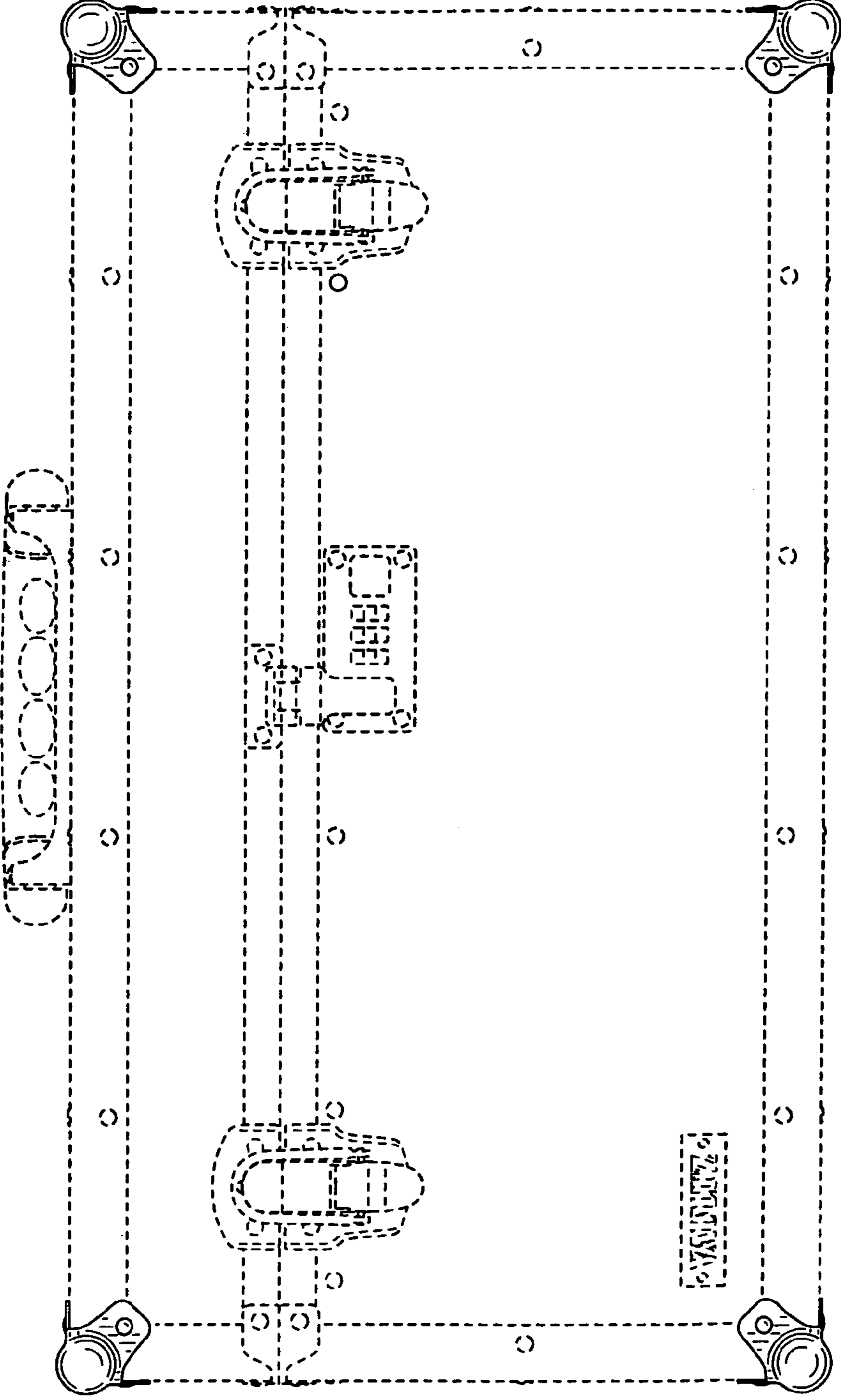


FIG. 2

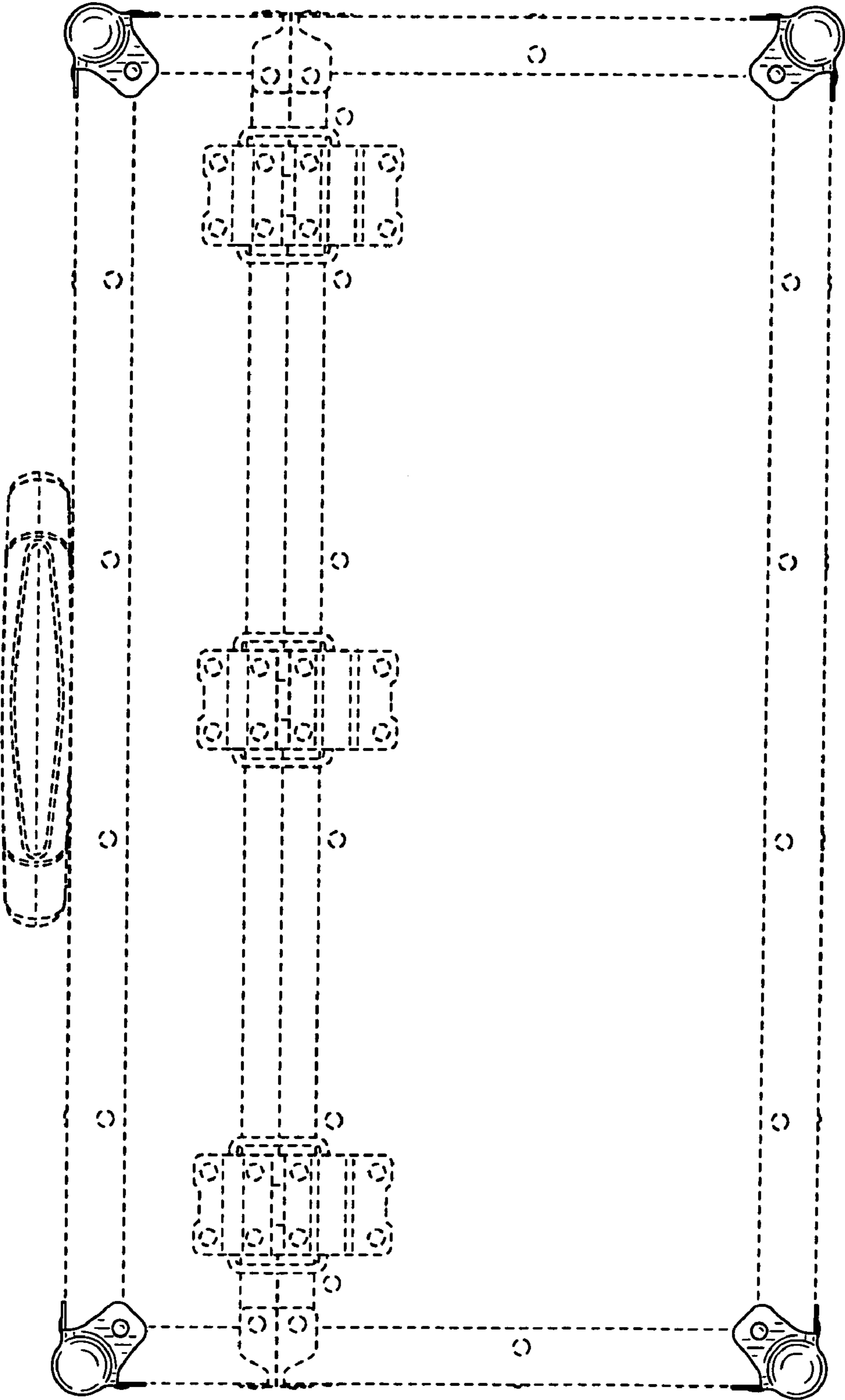


FIG. 3

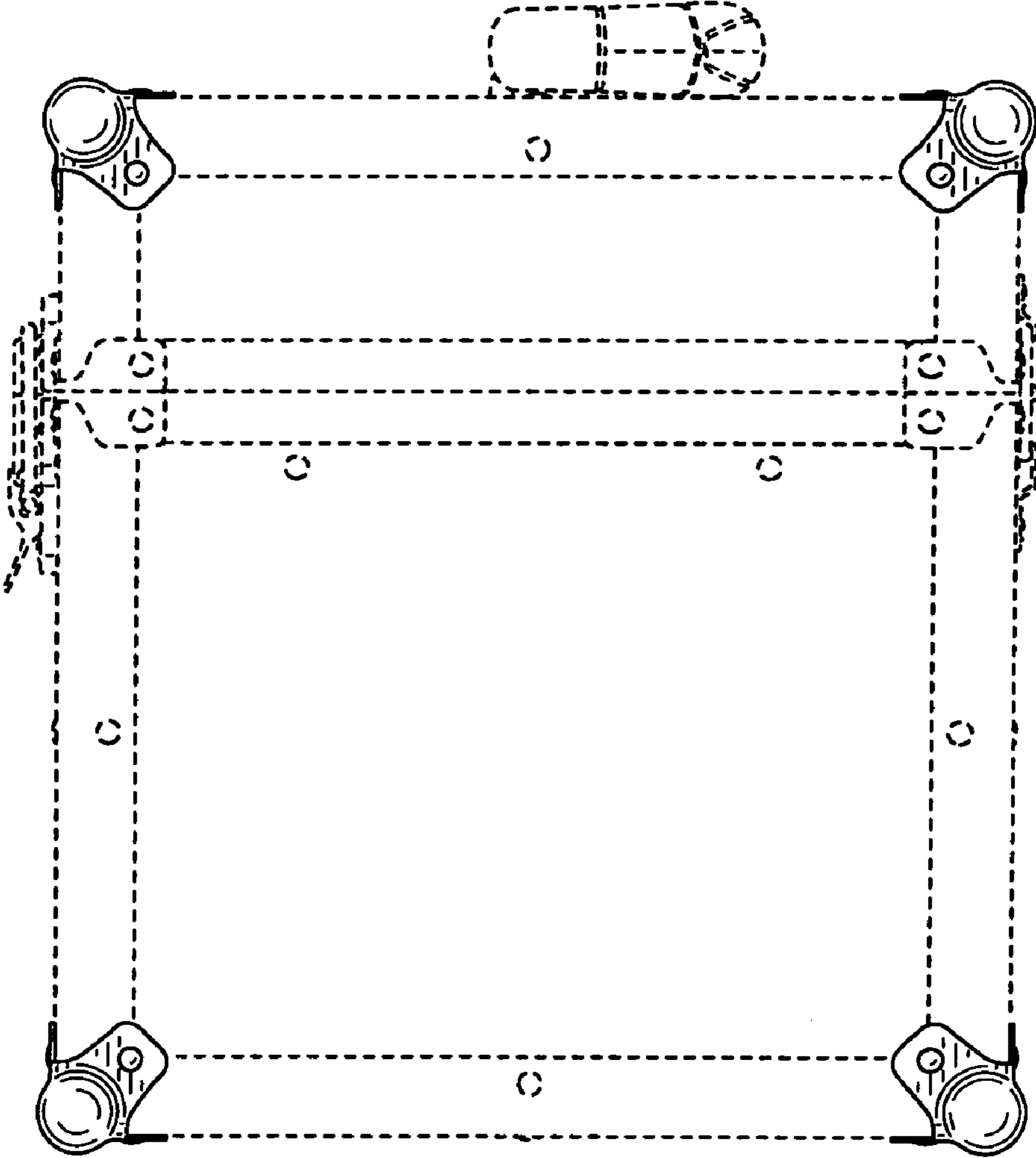


FIG. 4

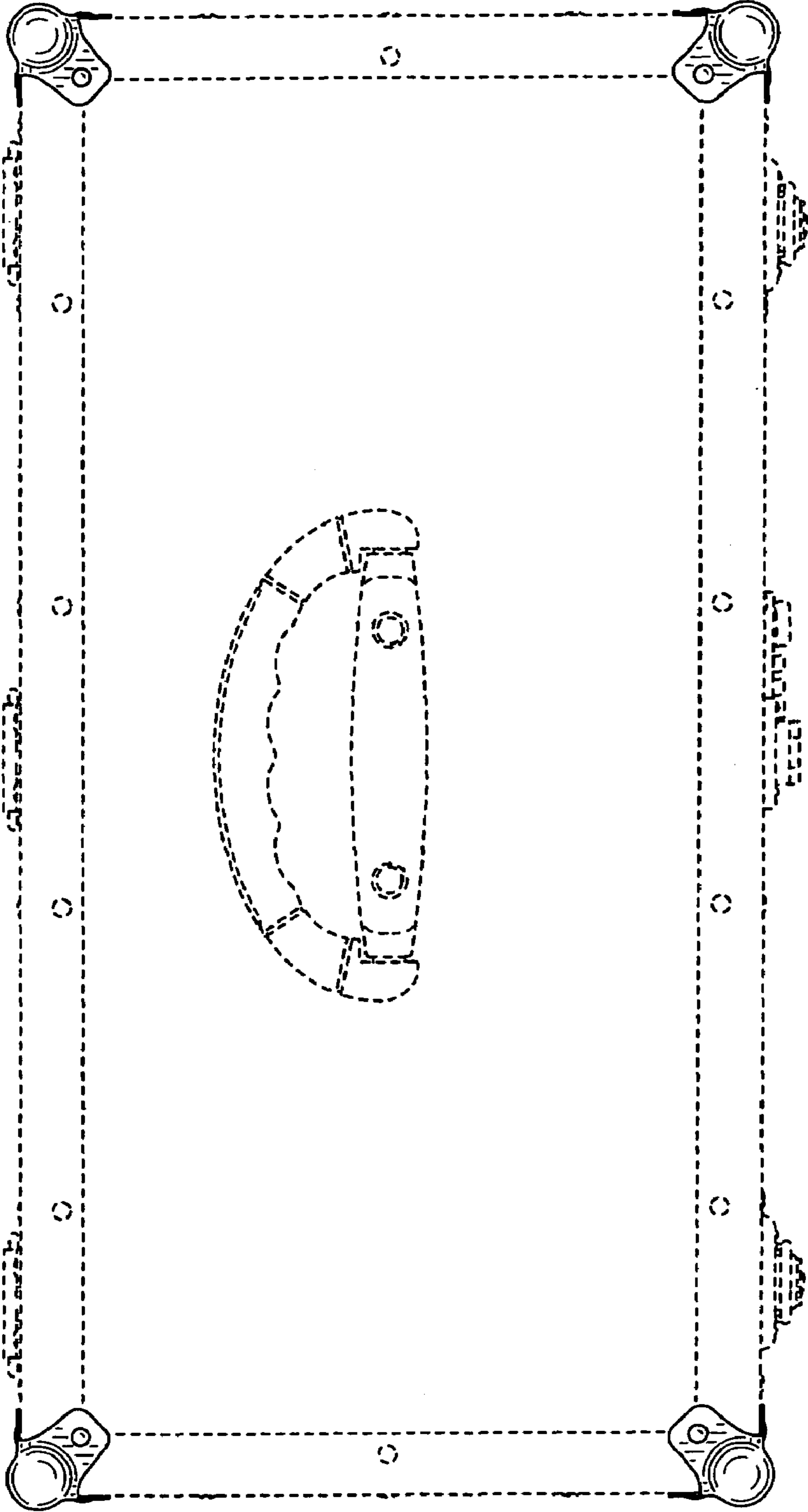


FIG. 5

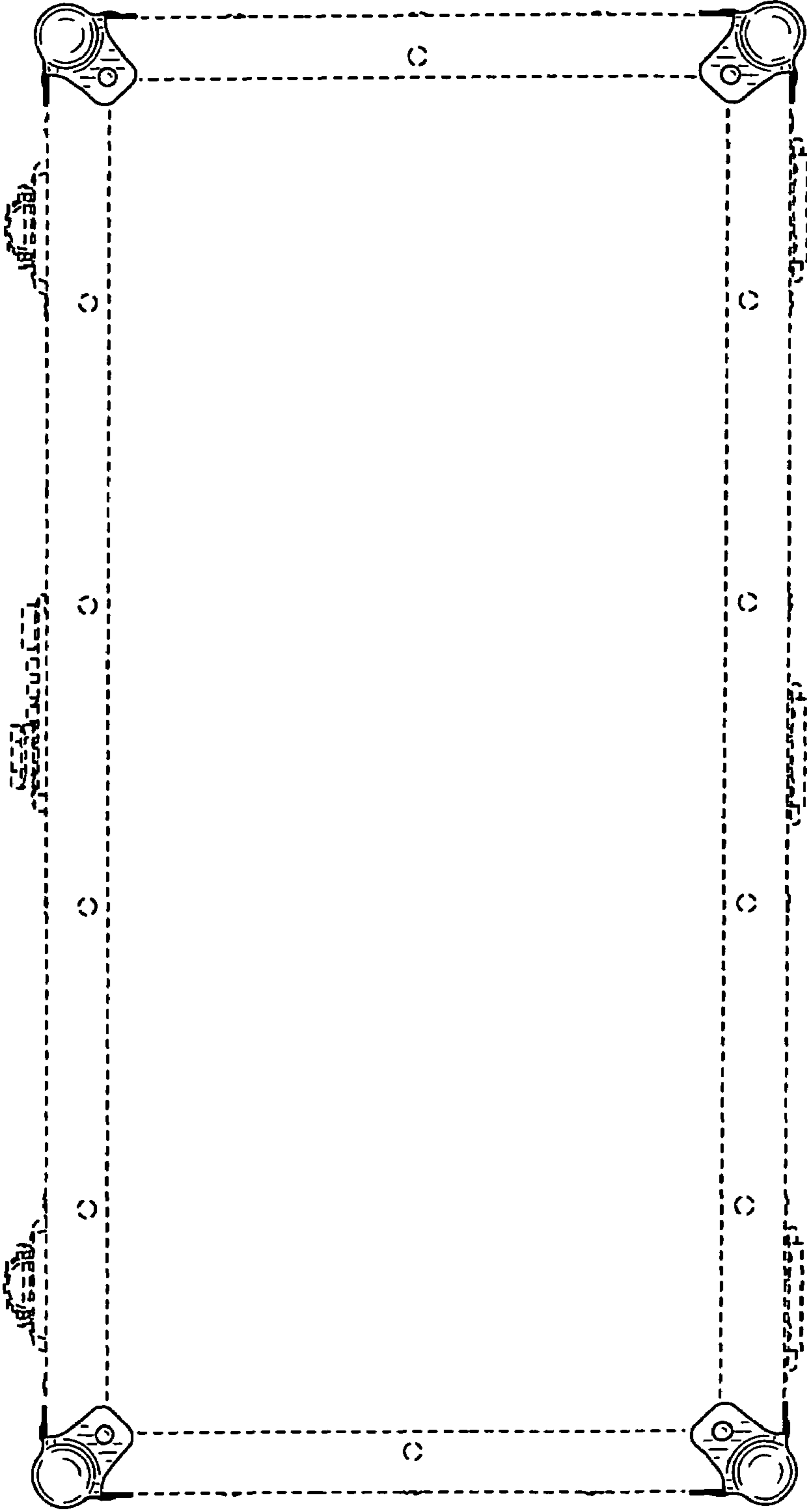


FIG. 6