



US00D584499S

(12) **United States Design Patent**
Ringholz

(10) **Patent No.:** **US D584,499 S**
(45) **Date of Patent:** **** Jan. 13, 2009**

(54) **PORTION OF A FOOTWEAR UPPER**

(74) *Attorney, Agent, or Firm*—Greer, Burns & Crain, Ltd.

(75) Inventor: **Ryan Ringholz**, Mill Valley, CA (US)

(57) **CLAIM**

(73) Assignee: **Deckers Outdoor Corporation**, Goleta, CA (US)

The ornamental design for a portion of a footwear upper, as shown and described.

(**) Term: **14 Years**

DESCRIPTION

(21) Appl. No.: **29/291,641**

FIG. 1 is a front perspective view of a portion of a footwear upper showing my new design;

(22) Filed: **Sep. 7, 2007**

FIG. 2 is a side elevational view thereof;

(51) **LOC (9) Cl.** **02-99**

FIG. 3 is an opposite side elevational view thereof;

(52) **U.S. Cl.** **D2/970**

FIG. 4 is front elevational view thereof;

(58) **Field of Classification Search** D2/897,
D2/909, 910–912, 946, 969, 970–973; 36/45,
36/50.1, 83, 89, 102, 113, 114, 131
See application file for complete search history.

FIG. 5 is rear elevational view thereof;

FIG. 6 is a top plan view thereof;

FIG. 7 is a bottom plan view thereof;

(56) **References Cited**

FIG. 8 is a front perspective view of a second embodiment of a portion of a footwear upper showing my new design;

U.S. PATENT DOCUMENTS

FIG. 9 is a side elevational view thereof;

D164,502 S *	9/1951	Justin	D2/910
D205,181 S *	7/1966	Vise	D2/910
D238,911 S *	2/1976	Persson	D2/910
D243,483 S *	3/1977	Pietraszek et al.	D2/911
D243,565 S *	3/1977	DE Massacre	D2/910
D380,592 S *	7/1997	Whittington	D2/910
D525,016 S *	7/2006	Feller	D2/909

FIG. 10 is an opposite side elevational view thereof;

FIG. 11 is front elevational view thereof;

FIG. 12 is rear elevational view thereof;

FIG. 13 is a top plan view thereof; and,

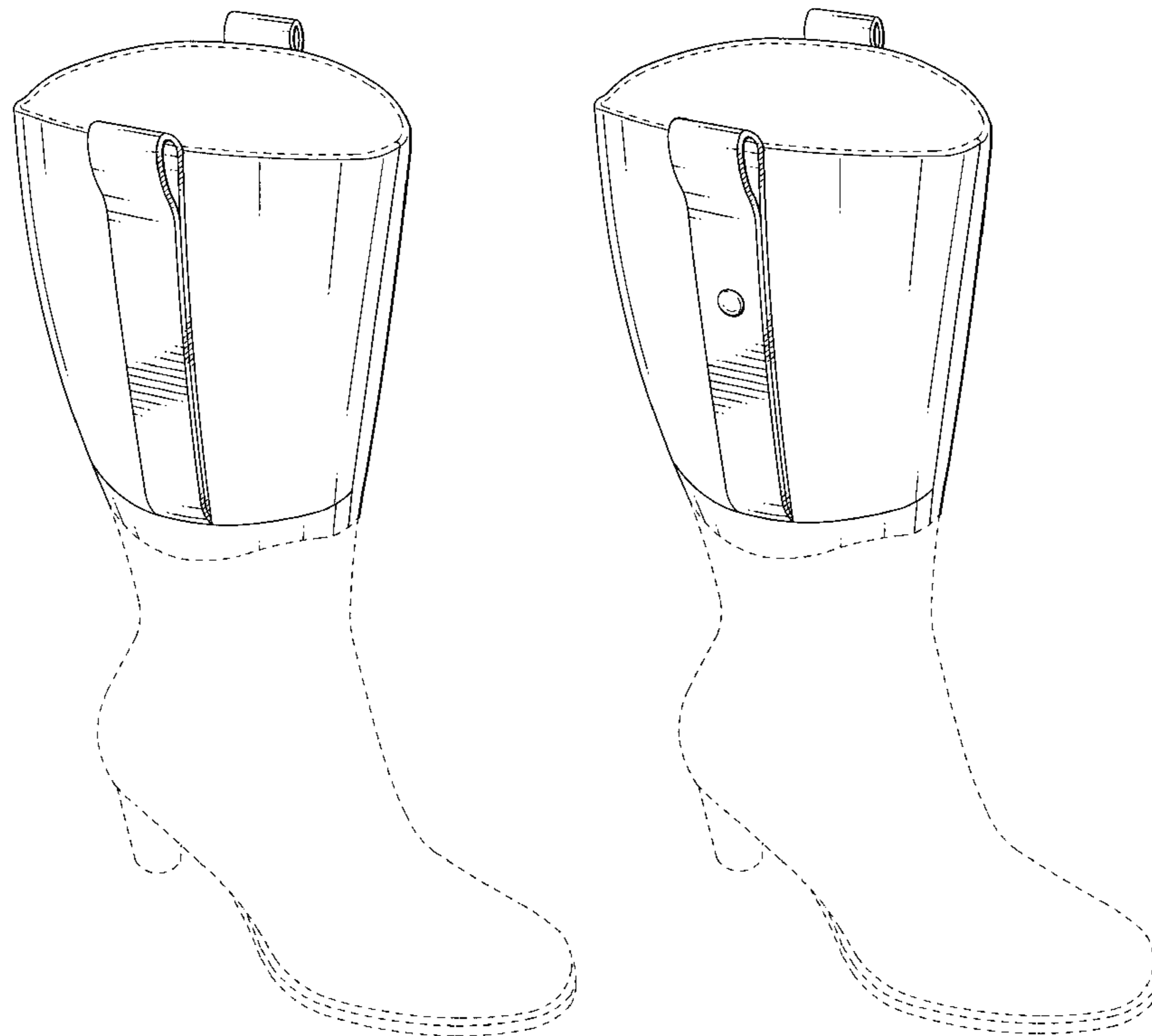
FIG. 14 is a bottom plan view thereof.

* cited by examiner

The broken lines in FIGS. 1–14 represent portions of the footwear that form no part of the claimed design.

Primary Examiner—Stella M Reid
Assistant Examiner—Rashida C McCoy

1 Claim, 10 Drawing Sheets



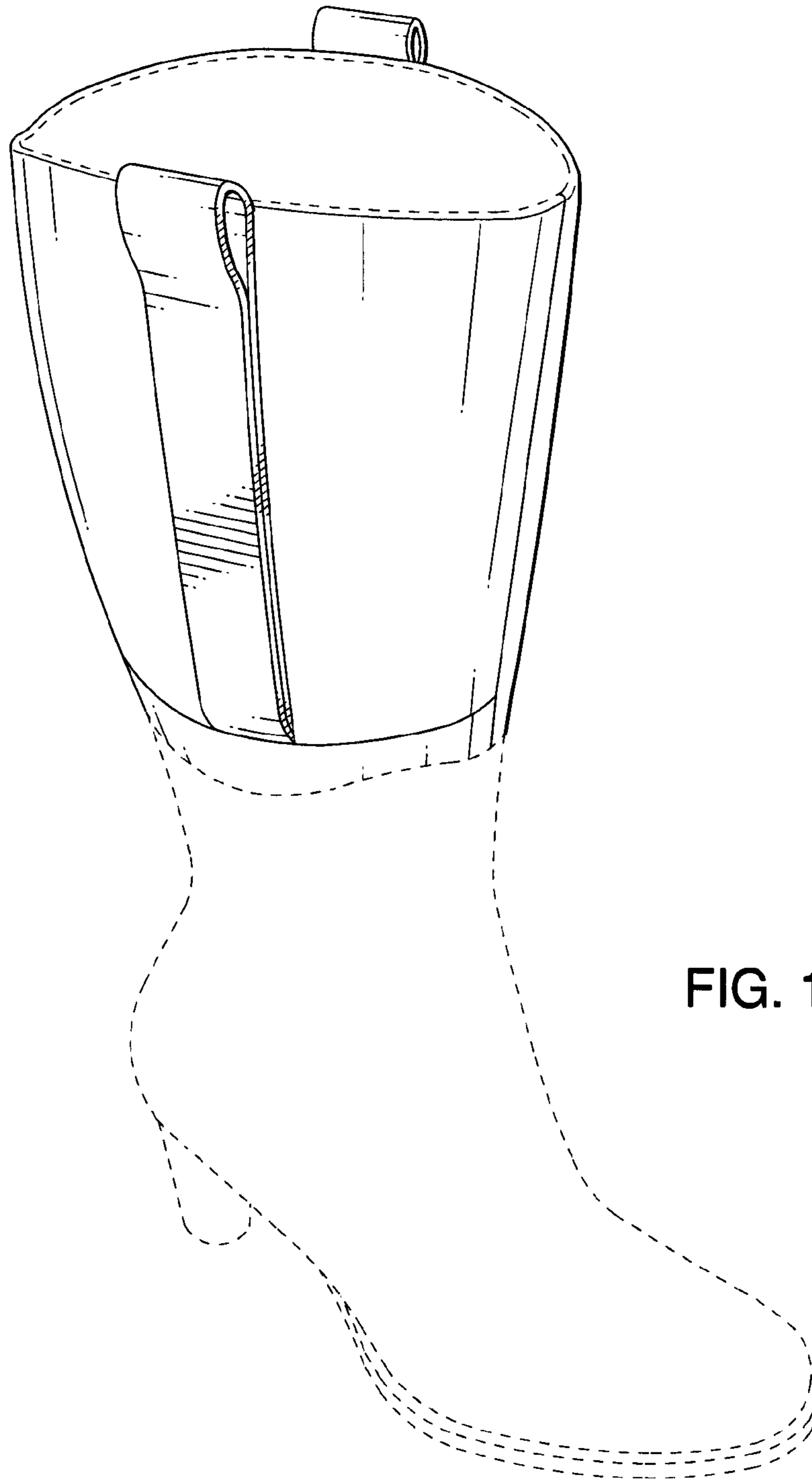


FIG. 1

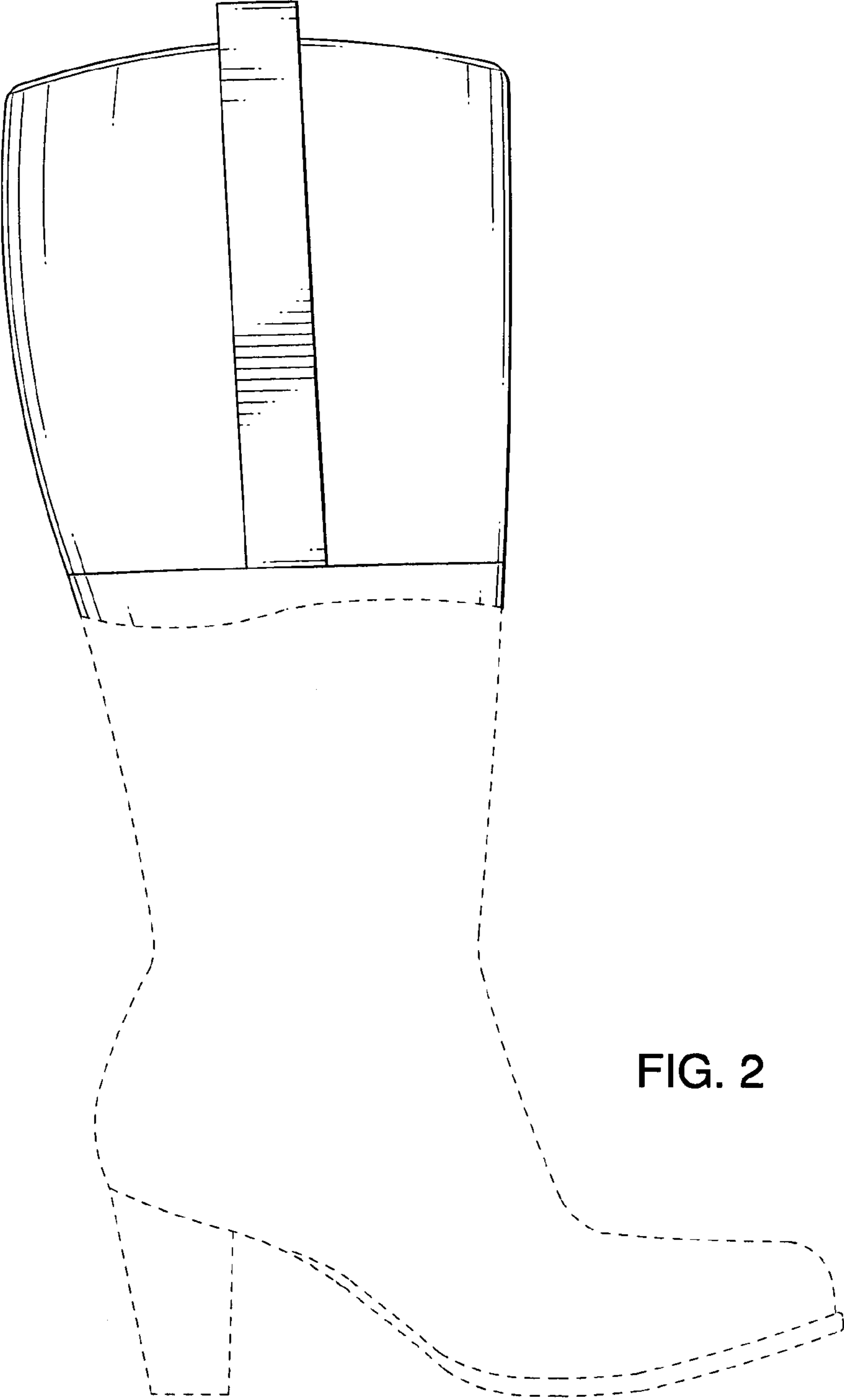


FIG. 2

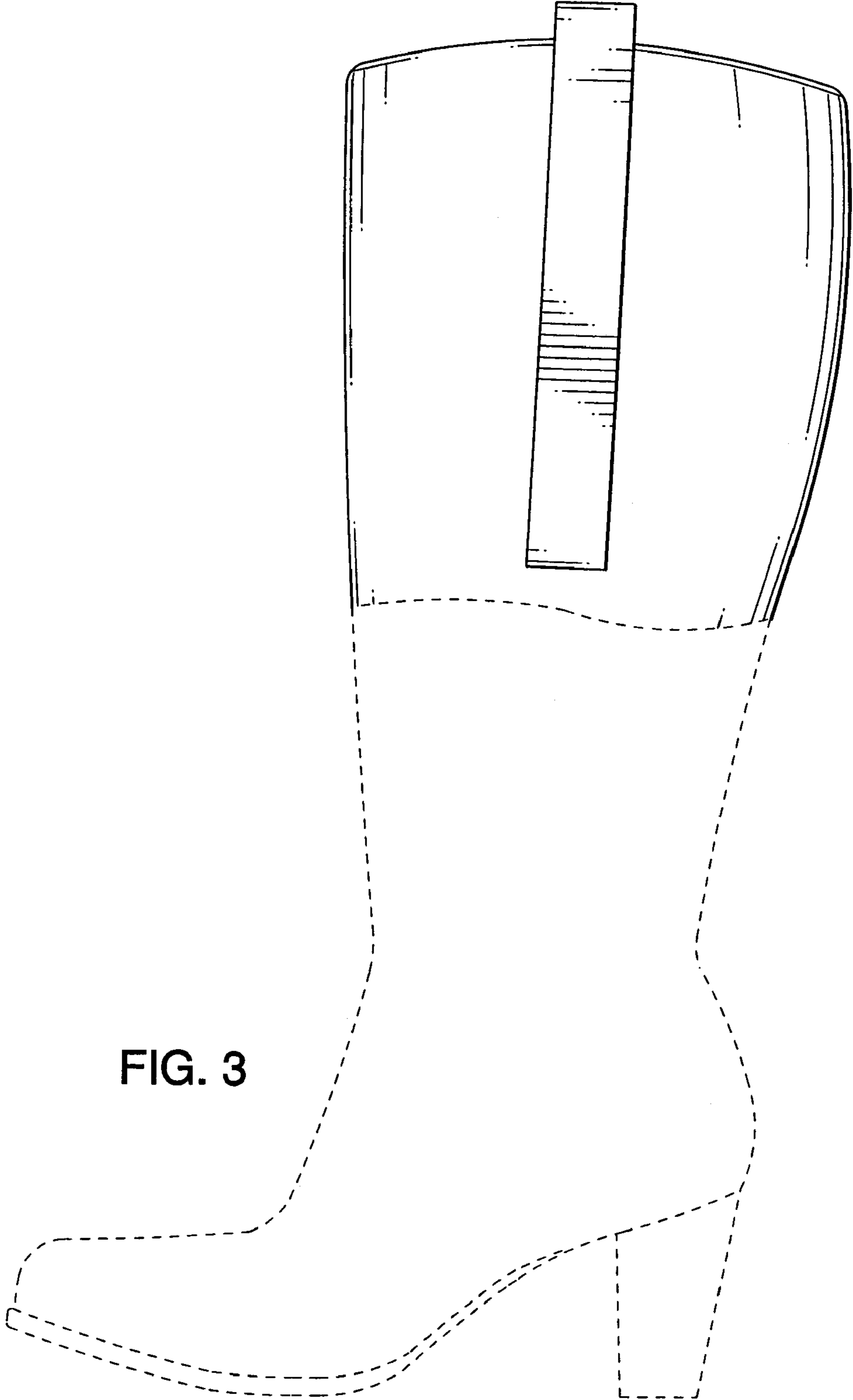


FIG. 3

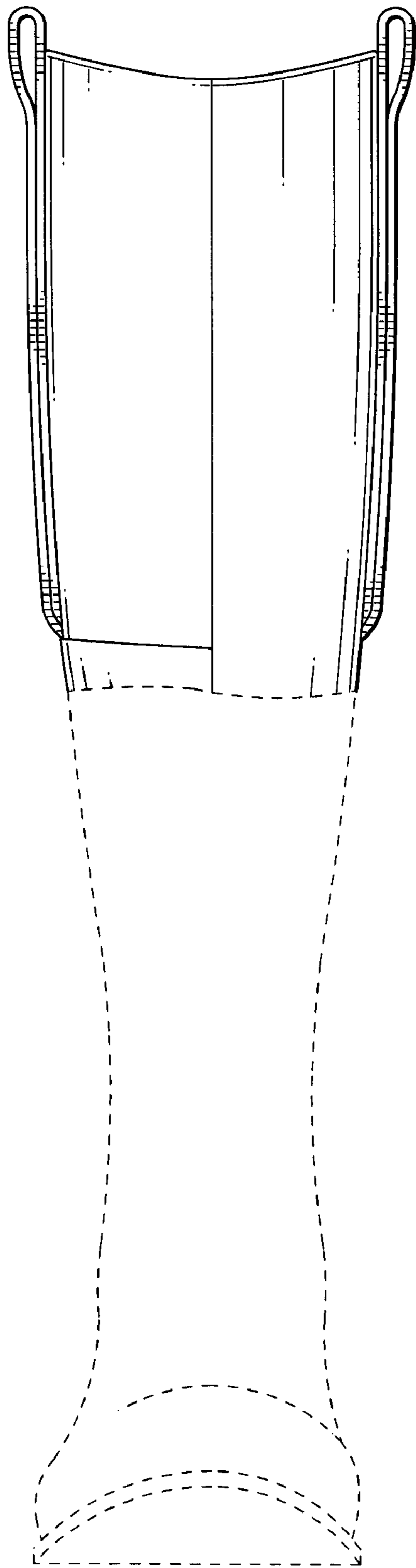


FIG. 4

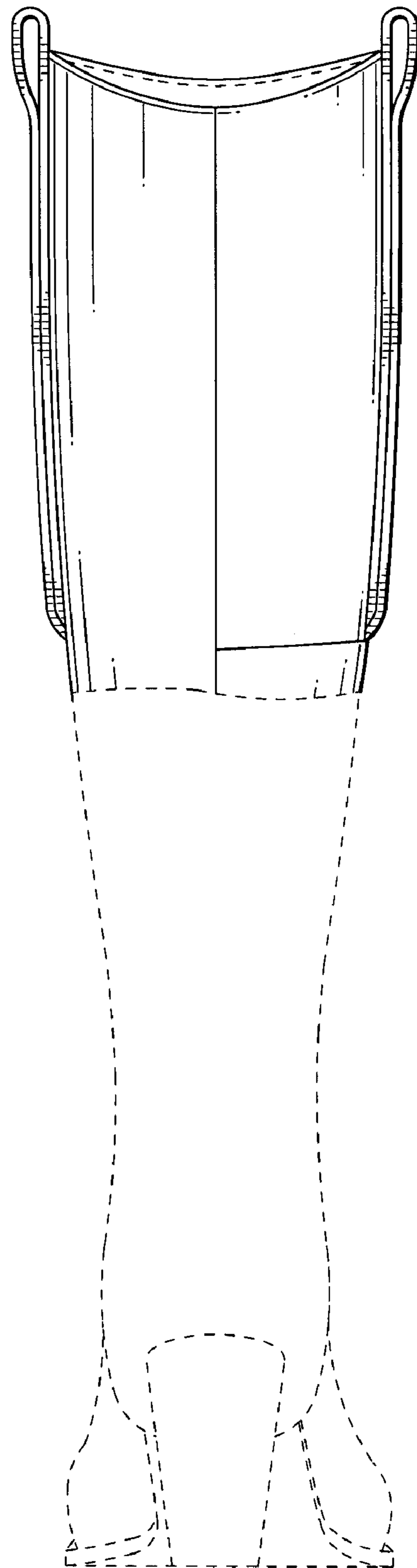


FIG. 5

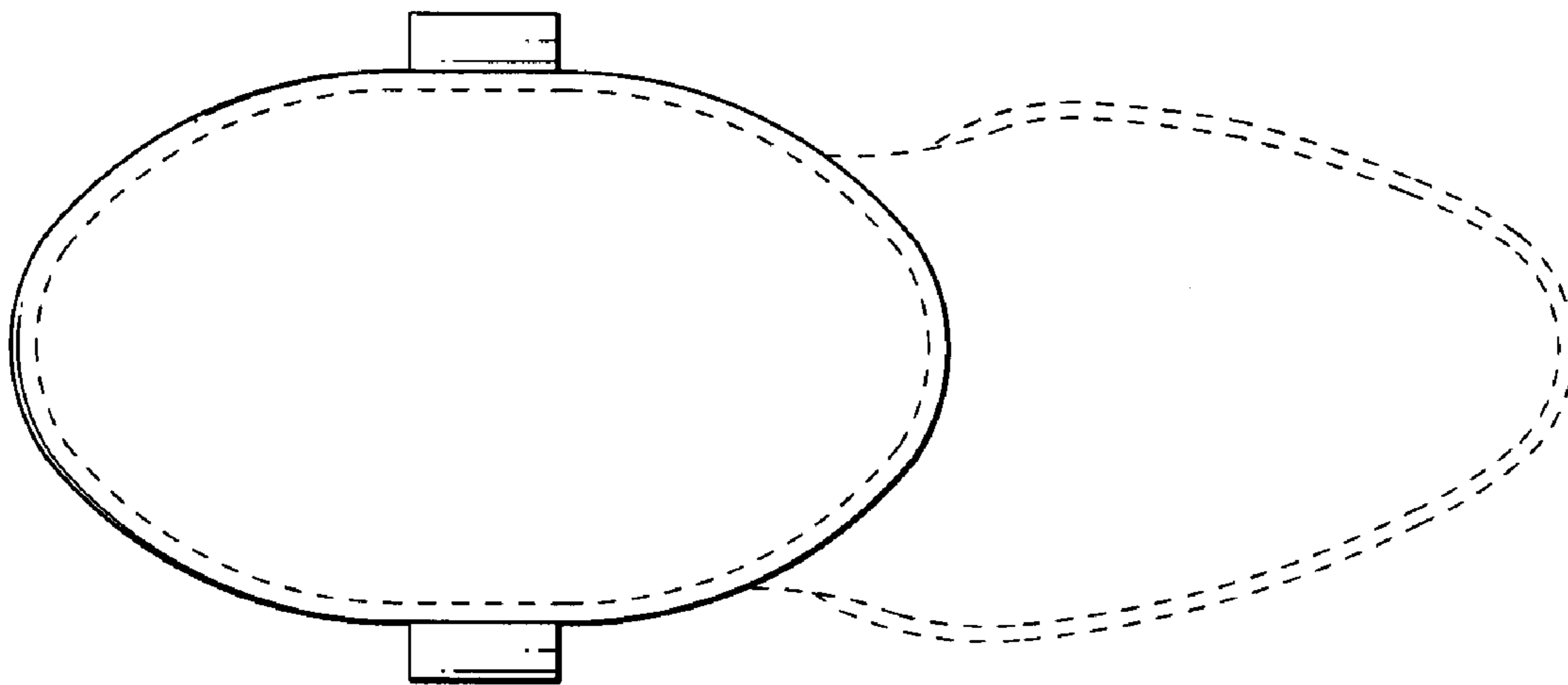


FIG. 6

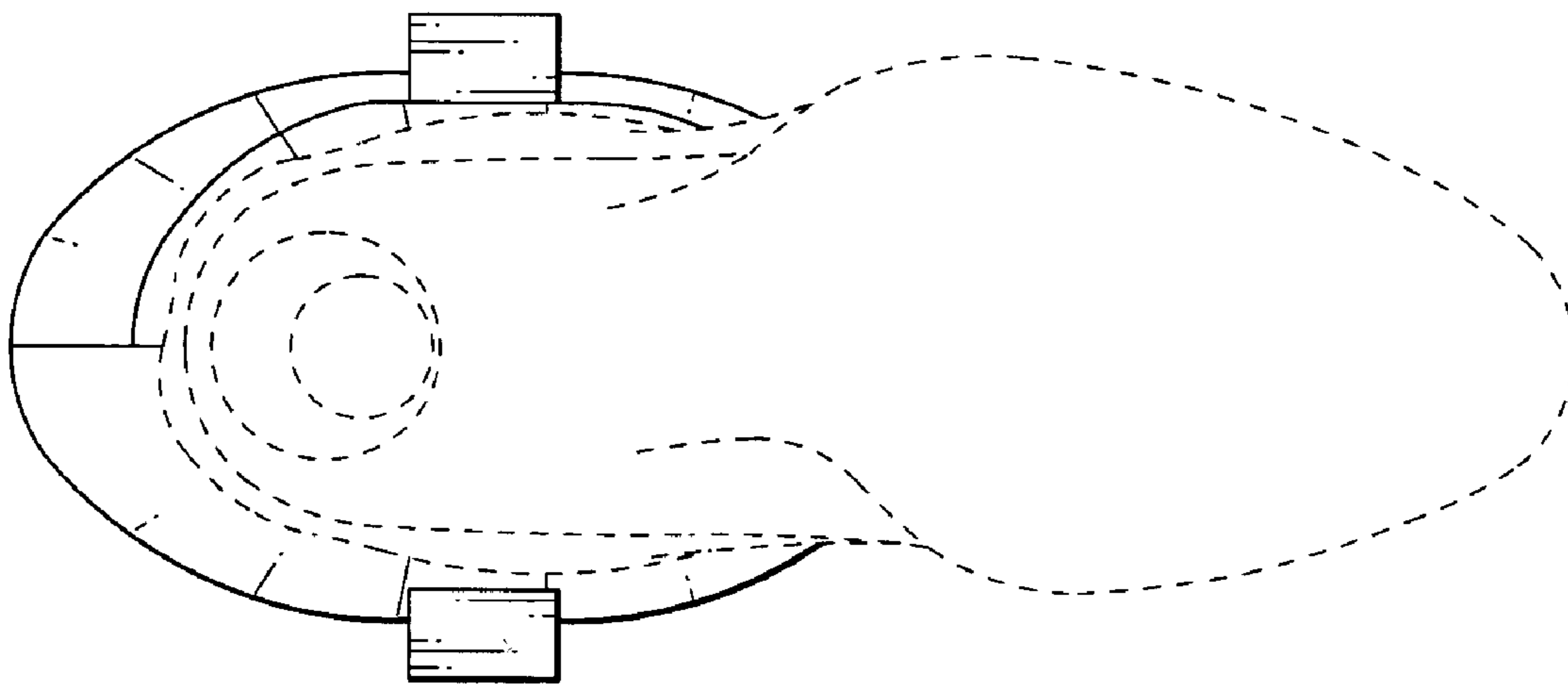


FIG. 7

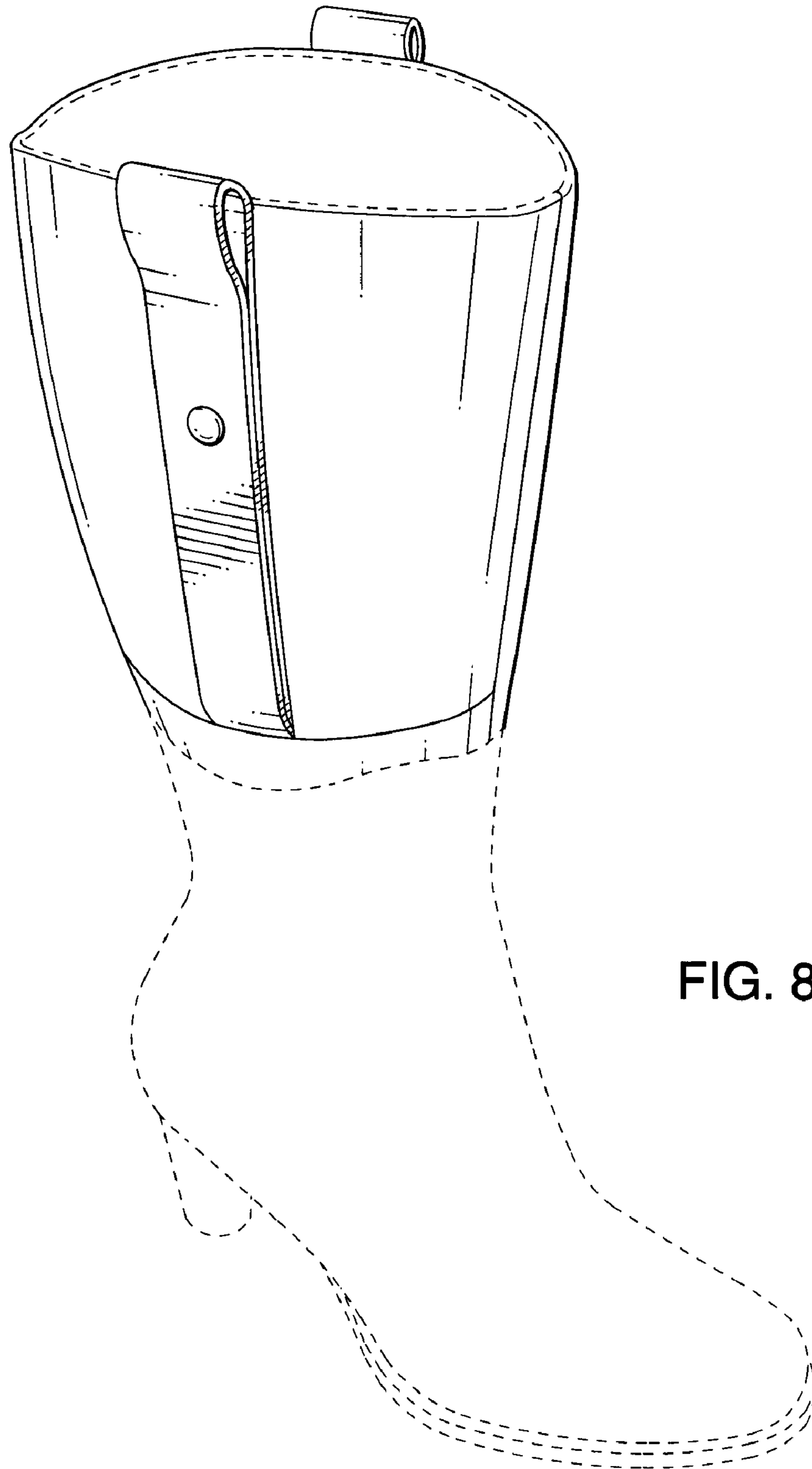


FIG. 8

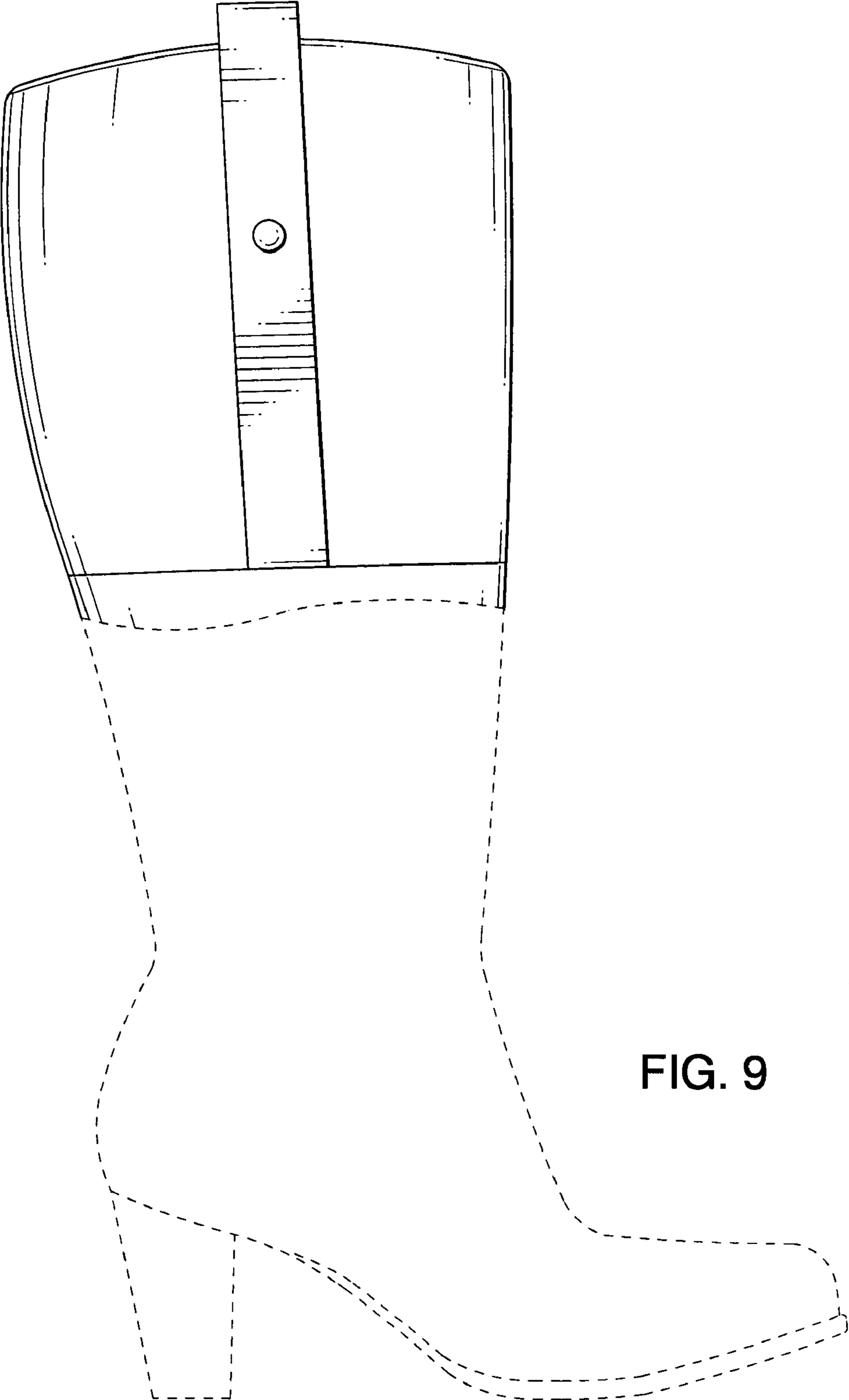


FIG. 9

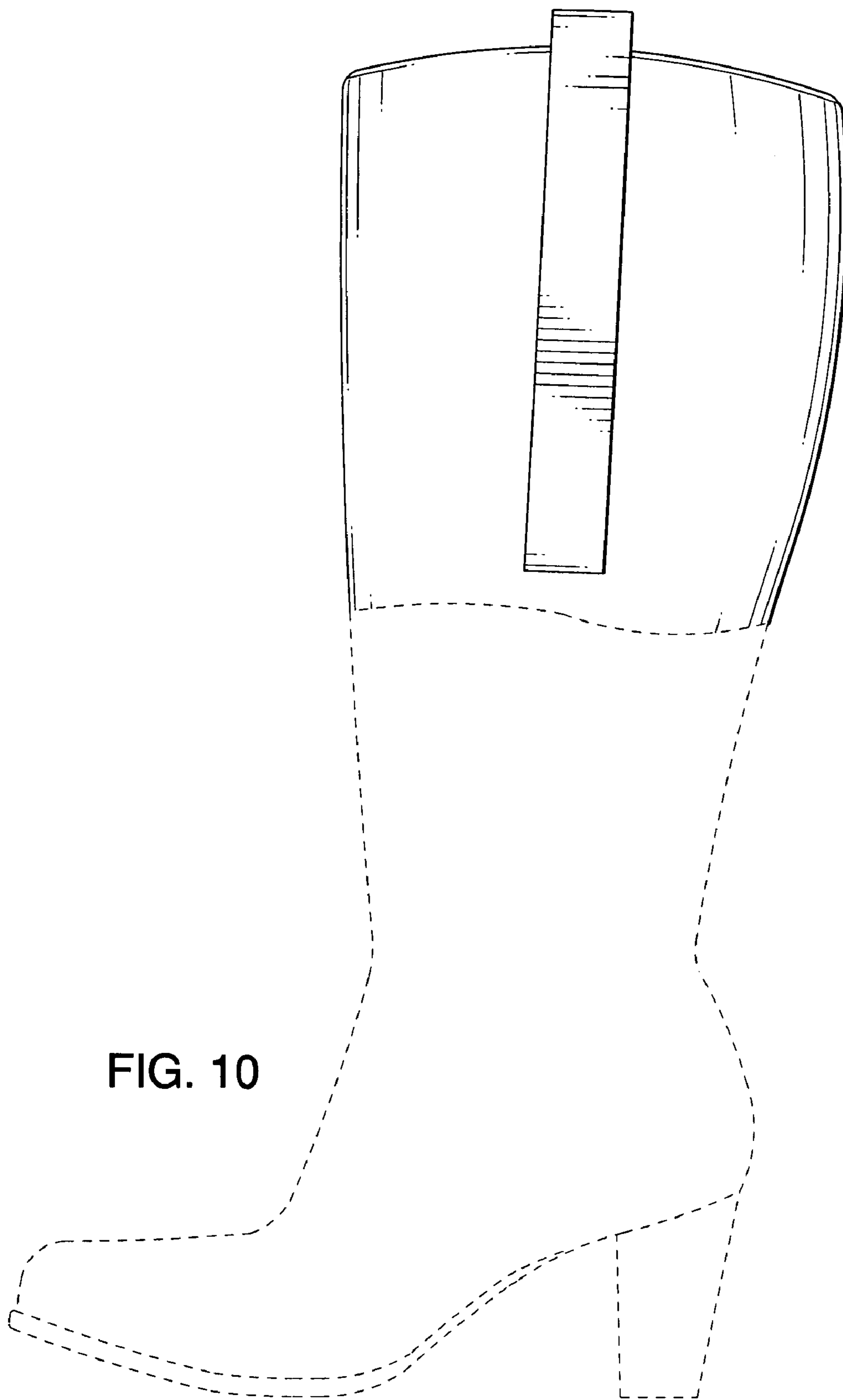


FIG. 10

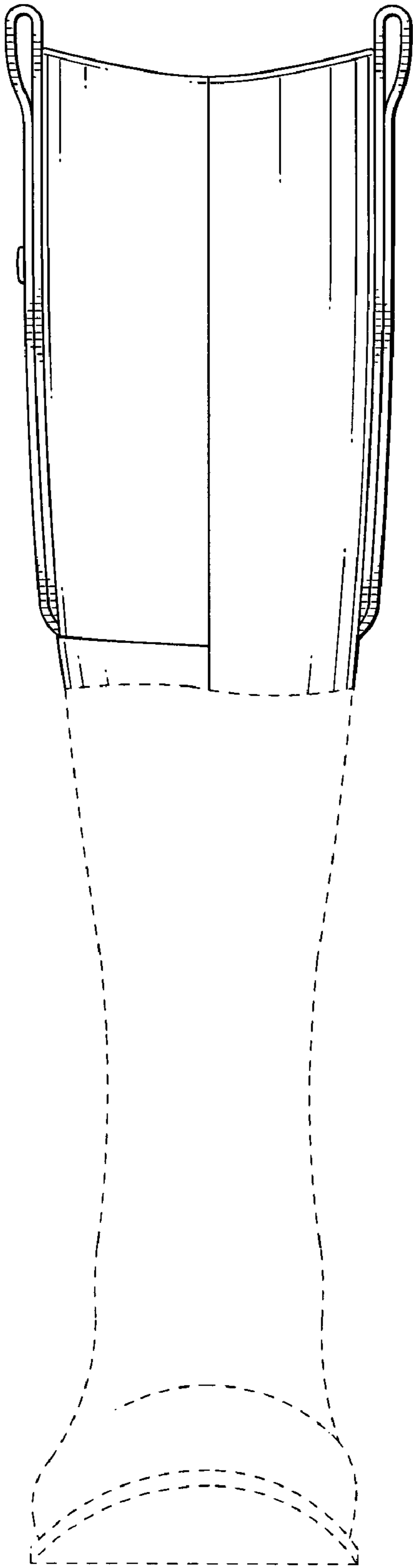


FIG. 11

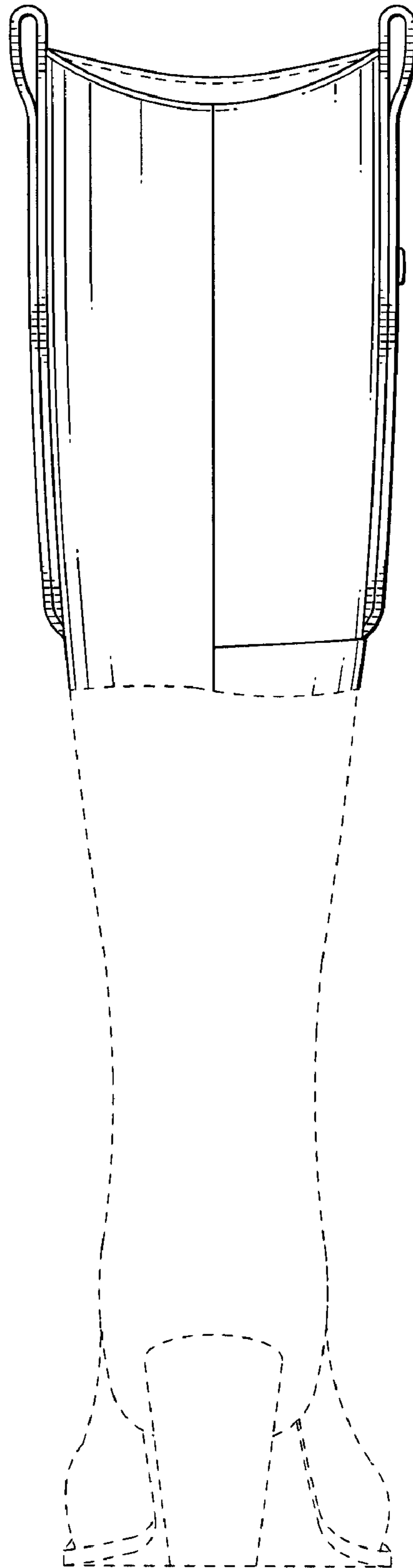


FIG. 12

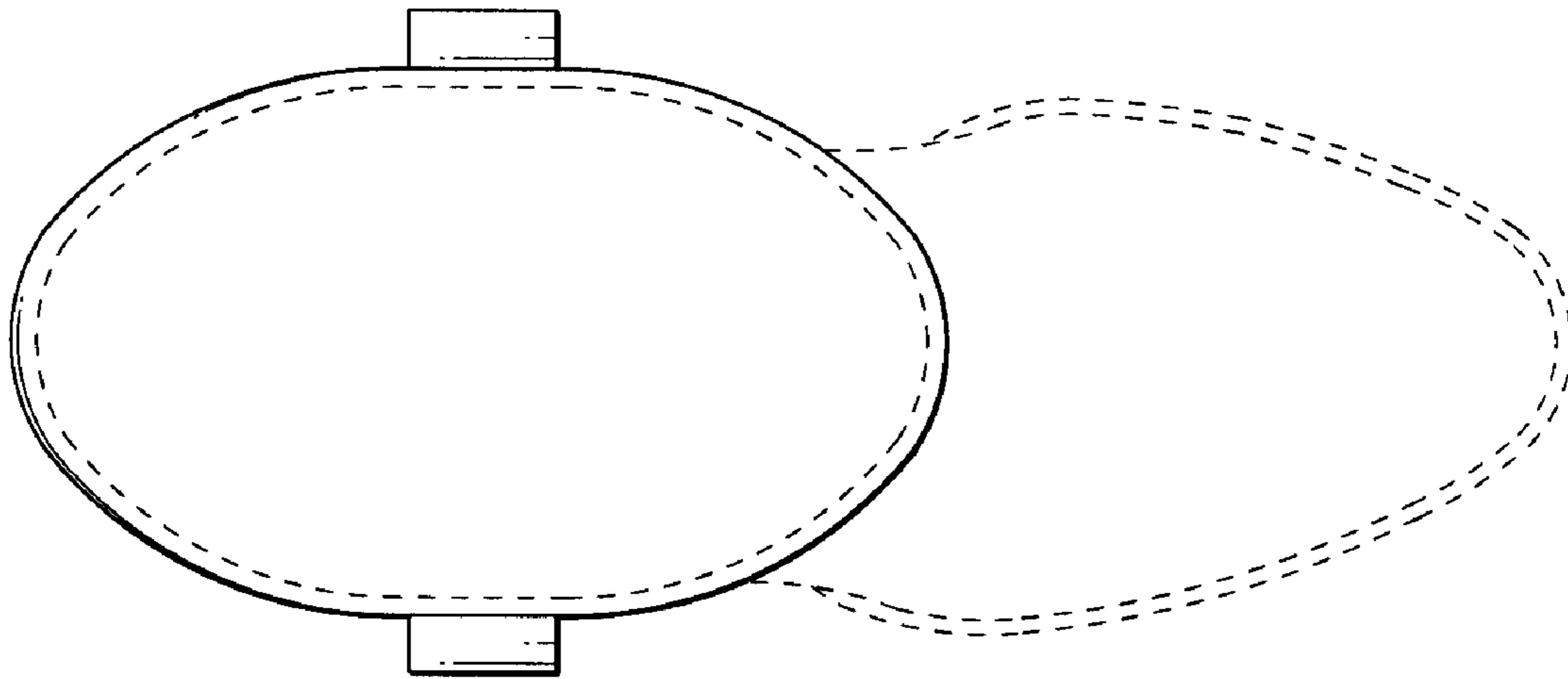


FIG. 13

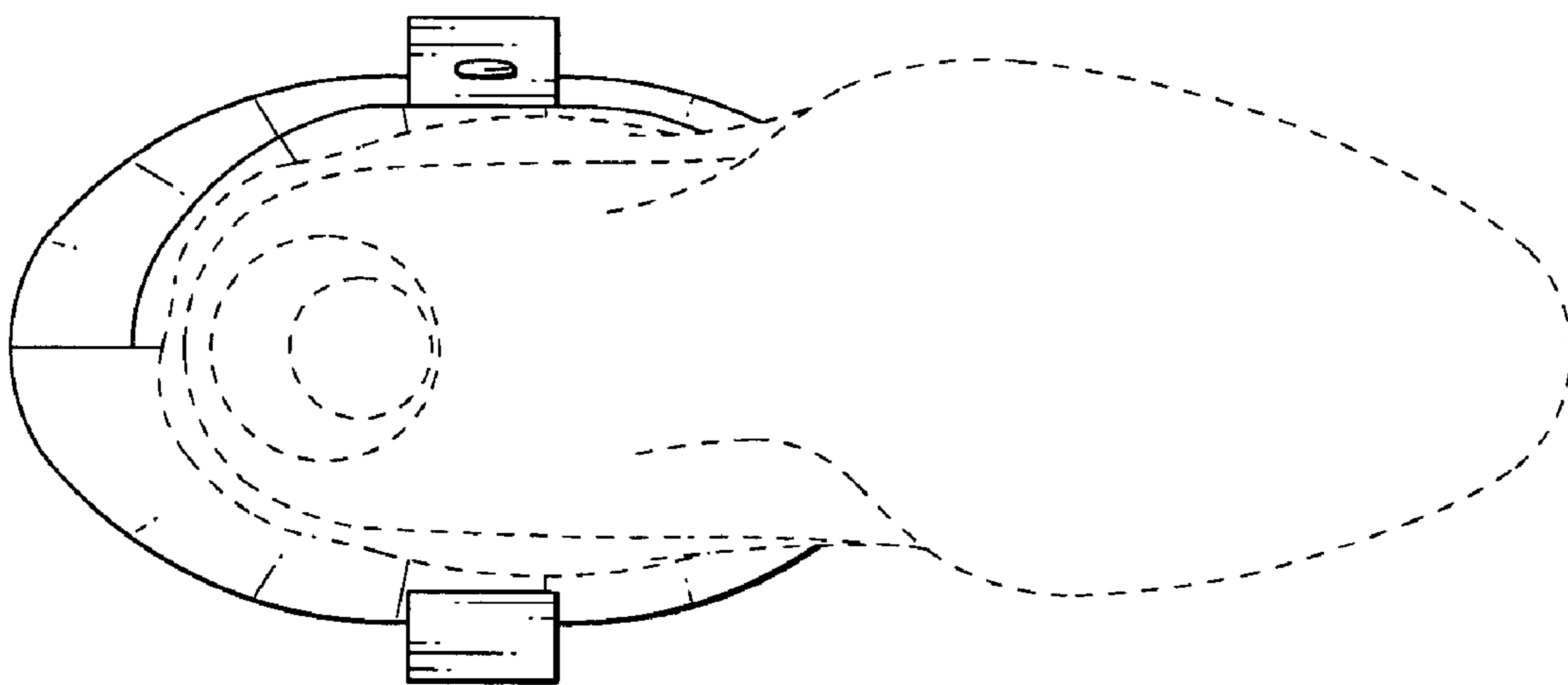


FIG. 14