



US00D584492S

(12) **United States Design Patent**
Lee

(10) **Patent No.:** **US D584,492 S**
(45) **Date of Patent:** **** Jan. 13, 2009**

(54) **SHOE OUTSOLE**
(75) Inventor: **TaeYong Lee**, Sherwood, OR (US)
(73) Assignee: **NIKE, Inc.**, Beaverton, OR (US)
(**) Term: **14 Years**
(21) Appl. No.: **29/324,425**
(22) Filed: **Sep. 11, 2008**

D536,861 S 2/2007 Rasmussen
D550,939 S 9/2007 Smith et al.
D561,438 S * 2/2008 Belley D2/957
D561,440 S * 2/2008 Andersen et al. D2/957
D564,742 S * 3/2008 Sharples D2/961
D574,583 S 8/2008 St-Louis et al.
D574,586 S * 8/2008 Morong et al. D2/961
D577,183 S * 9/2008 Link D2/959
7,430,817 B2 * 10/2008 Abadjian et al. 36/29
2008/0229617 A1 * 9/2008 Johnson et al. 36/102

(51) **LOC (9) Cl.** **02-04**
(52) **U.S. Cl.** **D2/957; D2/951; D2/953;**
D2/954
(58) **Field of Classification Search** D2/953,
D2/954, 955, 956, 957, 958, 959, 960, 961;
36/3 B, 22 R, 24.5, 25 R, 28, 59 C, 103, 10
See application file for complete search history.

OTHER PUBLICATIONS

Nike Footwear Catalog Spring 1999; p. M68, published Jun. 1998.
Nike Footwear Catalog Spring 1999; p. W17, published Jun. 1998.
Nike Footwear Catalog Fall 2000 #2; p. W54, published Nov. 1999.
Nike Footwear Catalog Spring 2000 #1; p. M26, published Jul. 1999.
Nike Footwear Catalog Holiday 2001; p. W27, published Feb. 2001.
Nike Footwear Catalog Holiday 2003; p. W8, published Mar. 2003.
Nike Footwear Catalog Fall 2004; p. M4, published Nov. 2003.
Nike Footwear Catalog Fall 2005; p. W126, published Nov. 2004.
Nike Footwear Catalog Late Spring 2006; p. W118, published Sep. 2005.
Nike Footwear Catalog Fall 2007; p. M13, published Nov. 2006.

(56) **References Cited**

U.S. PATENT DOCUMENTS

3,143,812 A * 8/1964 Bittner 36/44
3,812,605 A 5/1974 Kaestle
4,316,334 A 2/1982 Hunt
4,378,643 A * 4/1983 Johnson 36/129
4,439,936 A 4/1984 Clarke et al.
D313,306 S * 1/1991 Chang D29/961
D331,313 S 12/1992 Lesbirel
5,363,573 A 11/1994 Kilgore et al.
D378,241 S 3/1997 Featherston et al.
D394,945 S * 6/1998 Doxey D2/959
D404,897 S * 2/1999 Marshall D2/951
D422,400 S 4/2000 Brady et al.
D424,285 S 5/2000 Nason
D432,293 S 10/2000 Clegg et al.
D464,476 S 10/2002 Wahoske
D474,586 S 5/2003 Recchi
D480,541 S * 10/2003 Galway D2/955
D497,705 S 11/2004 Turner
D497,707 S 11/2004 Lee
D501,294 S 2/2005 Robbins et al.
D502,595 S 3/2005 Sonnergren
D519,265 S 4/2006 Gerber
D521,715 S * 5/2006 Lotti D2/957
7,107,235 B2 * 9/2006 Lyden 705/26

* cited by examiner

Primary Examiner—Celia A Murphy
(74) *Attorney, Agent, or Firm*—Banner & Witcoff, Ltd.

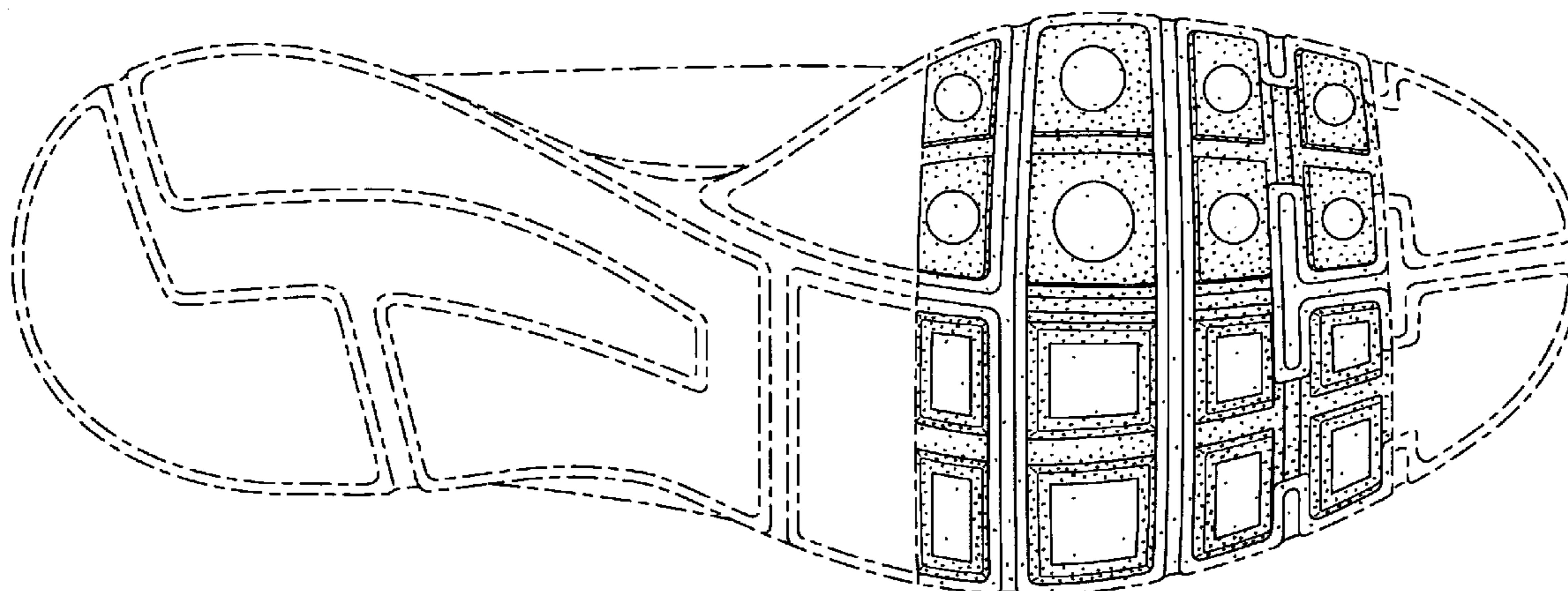
(57) **CLAIM**

The ornamental design for a shoe outsole, as shown and described.

DESCRIPTION

FIG. 1 is a front perspective view of a shoe outsole showing my new design;
FIG. 2 is a rear perspective view thereof; and,
FIG. 3 is a bottom plan view thereof.
The broken line showing that is immediately adjacent to the shaded area represents an unclaimed boundary of the design. The broken line showing of the remainder of the shoe is for environmental purposes only and forms no part of the claimed design.

1 Claim, 3 Drawing Sheets



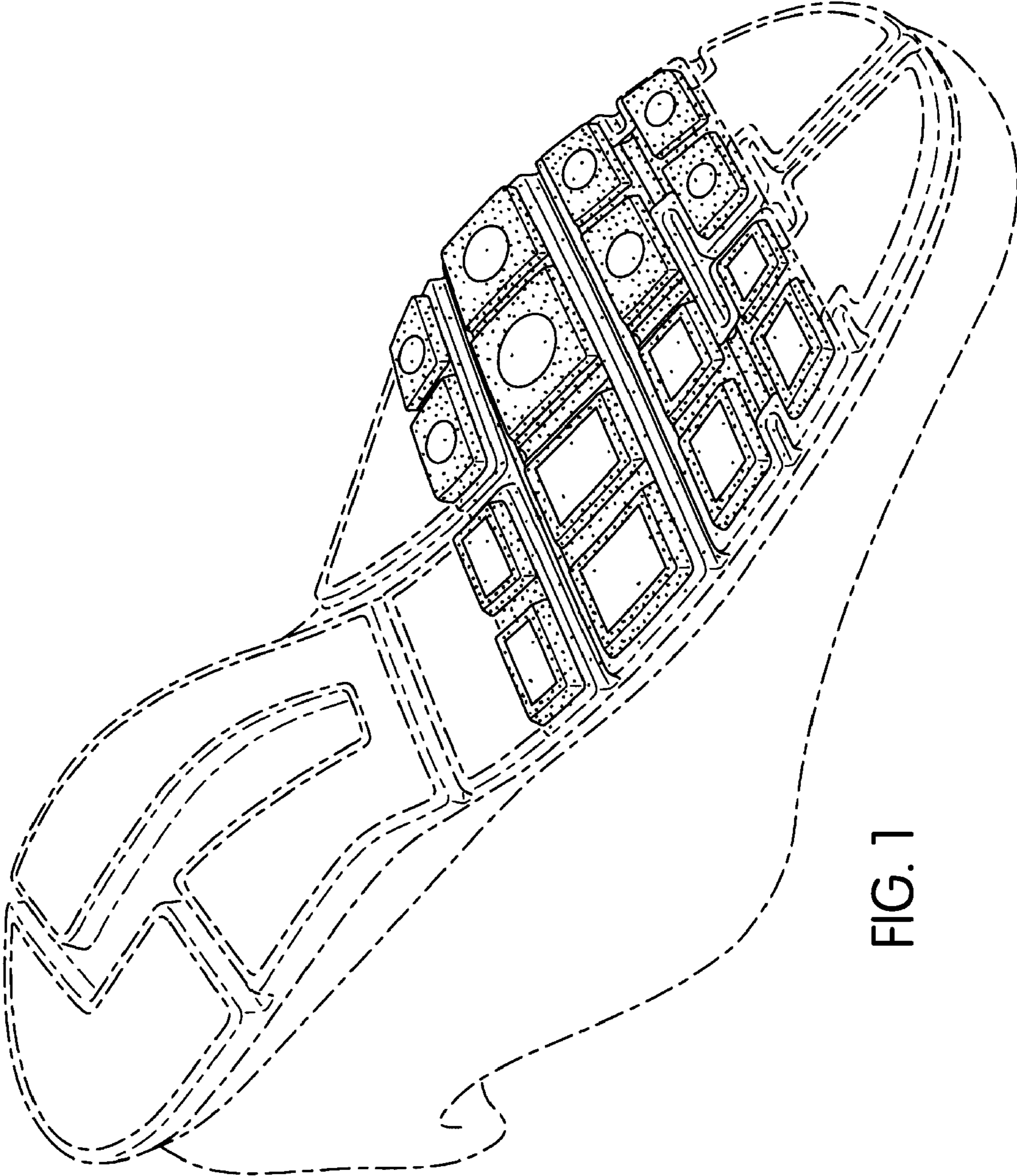


FIG. 1

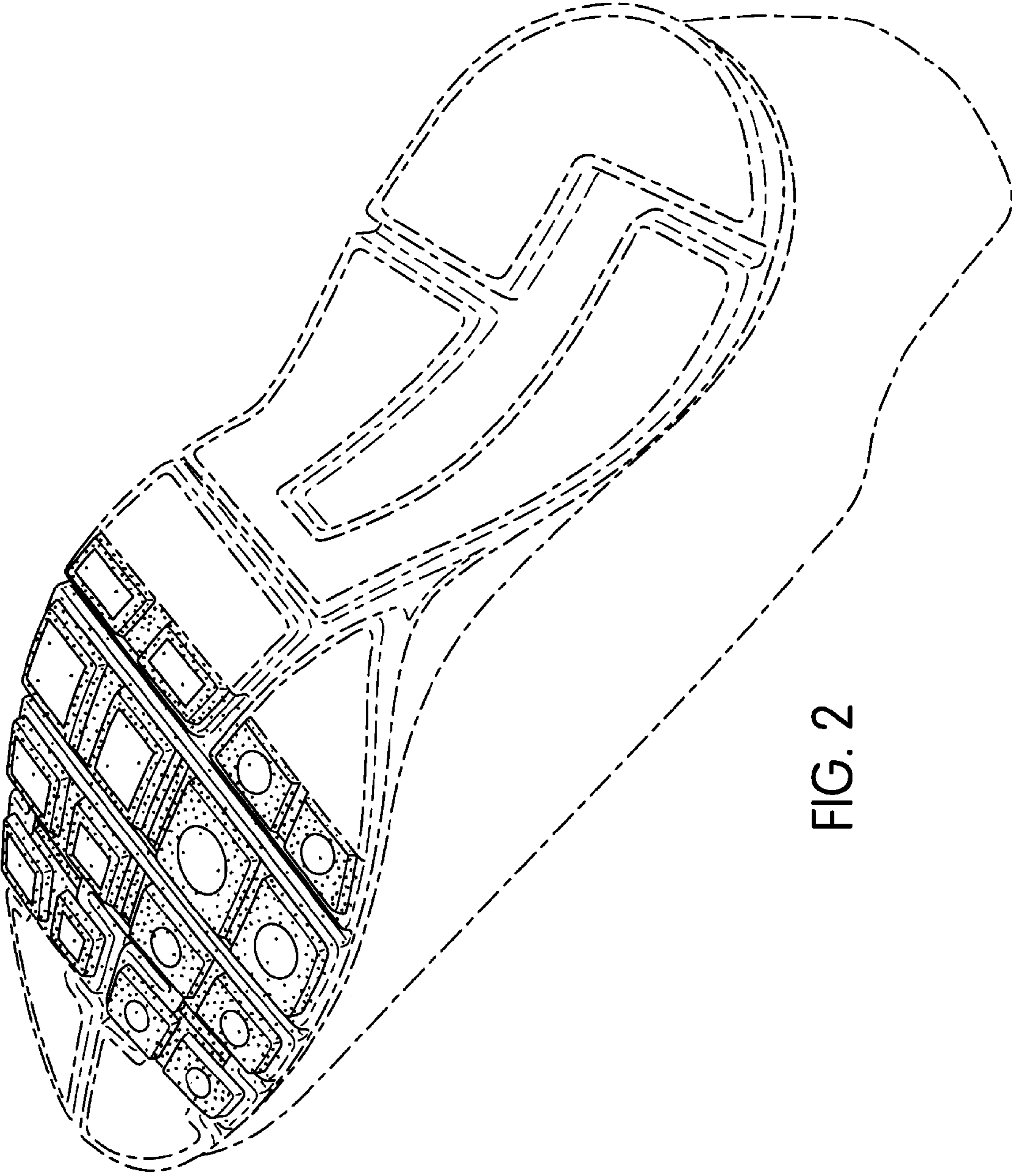


FIG. 2

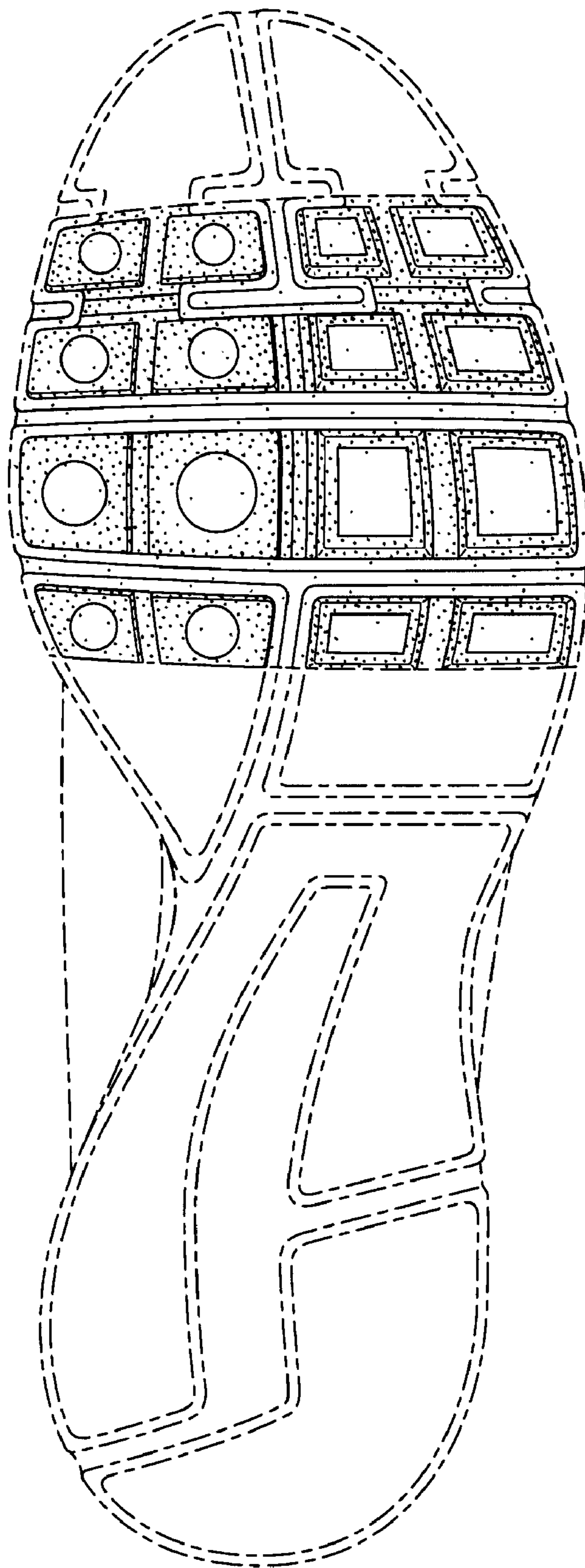


FIG. 3