



US00D584491S

(12) **United States Design Patent**  
**Matis**

(10) **Patent No.:** **US D584,491 S**

(45) **Date of Patent:** **\*\* Jan. 13, 2009**

(54) **FOOTWEAR SOLE**

D569,593 S \* 5/2008 Avar ..... D2/957  
D571,091 S \* 6/2008 Belley et al. .... D2/956

(75) Inventor: **Clark A. Matis**, Charlotte, VT (US)

**OTHER PUBLICATIONS**

(73) Assignee: **Wovlerine World Wide, Inc.**, Rockford, MI (US)

2007 Nike Free 5.0.  
Merrell Spring 2006 Catalog, p. 15.  
CAT Autumn/Winter 2007 Catalog, p. 3.  
Hy-Test 2007 Catalog, p. 73.  
CAT 1997 Catalog, p. 37.  
Hy-Test 1998 Catalog, p. 69.  
Hy-Test 1997 Catalog, p. 65.

(\*\*) Term: **14 Years**

\* cited by examiner

(21) Appl. No.: **29/302,685**

(22) Filed: **Jan. 22, 2008**

(51) **LOC (9) Cl.** ..... **02-04**

*Primary Examiner*—Celia A Murphy

(52) **U.S. Cl.** ..... **D2/956; D2/951; D2/957;**  
D2/960

(74) *Attorney, Agent, or Firm*—Warner Norcross & Judd LLP

(58) **Field of Classification Search** ..... D2/902,  
D2/947, 951, 952, 953, 954, 956, 957, 958,  
D2/960; 36/103, 22 R, 25 R, 32 R  
See application file for complete search history.

(57) **CLAIM**

The ornamental design for footwear sole, as shown and described.

(56) **References Cited**

**DESCRIPTION**

**U.S. PATENT DOCUMENTS**

FIG. 1 is a perspective view of the footwear sole embodying the new design;

D368,575 S *	4/1996	McClain	.....	D2/916
D445,561 S *	7/2001	Bramani	.....	D2/954
D501,294 S *	2/2005	Robbins et al.	.....	D2/954
D516,781 S *	3/2006	Ardissono et al.	.....	D2/954
D530,490 S *	10/2006	Sonnergren	.....	D2/956
D547,036 S *	7/2007	Schoenborn et al.	.....	D2/956
D549,937 S *	9/2007	Matis et al.	.....	D2/956
D552,835 S *	10/2007	Belley et al.	.....	D2/955
D554,336 S *	11/2007	Schoenborn et al.	.....	D2/956
D554,337 S *	11/2007	Belley et al.	.....	D2/956
D554,338 S *	11/2007	Matis et al.	.....	D2/956
D561,436 S *	2/2008	St. Louis	.....	D2/956
D561,982 S *	2/2008	Hoyt	.....	D2/896
D563,084 S *	3/2008	Della Valle	.....	D2/956
D564,190 S *	3/2008	Belley et al.	.....	D2/956
D564,738 S *	3/2008	Belley et al.	.....	D2/956
D567,491 S *	4/2008	Belley et al.	.....	D2/956

FIG. 2 is a bottom view thereof;

FIG. 3 is a right side view thereof;

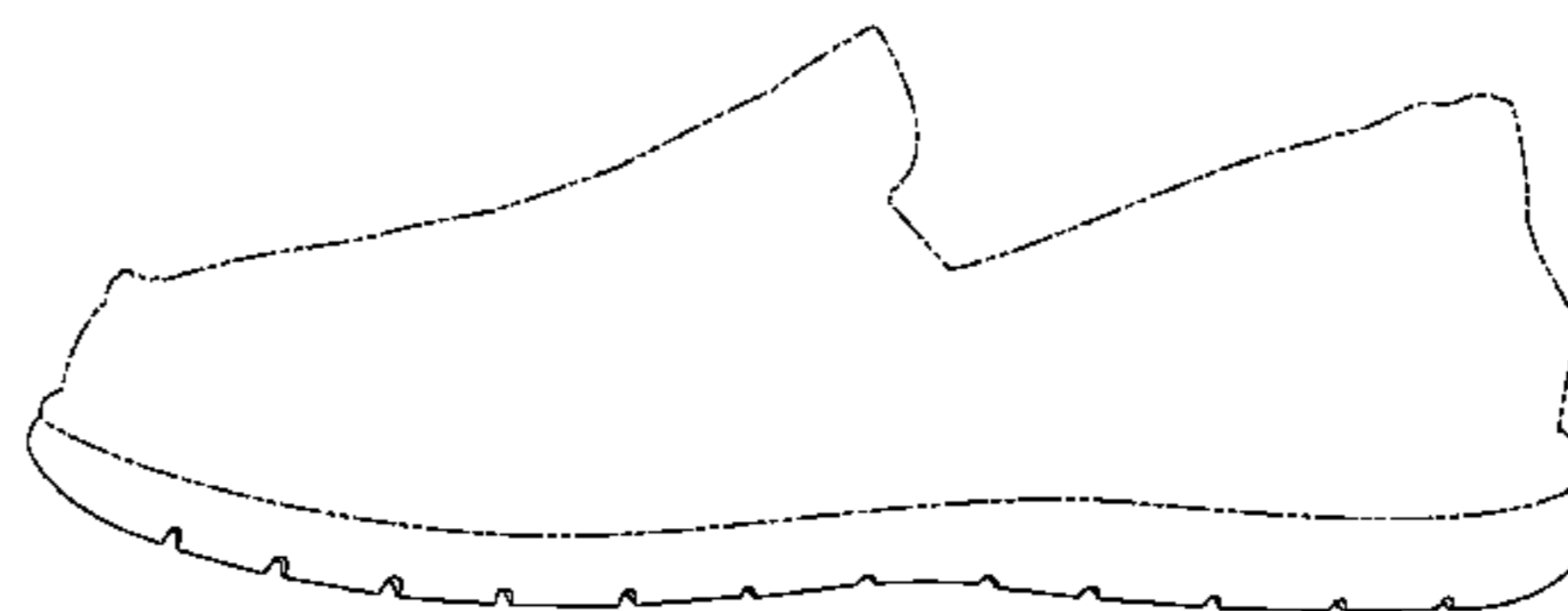
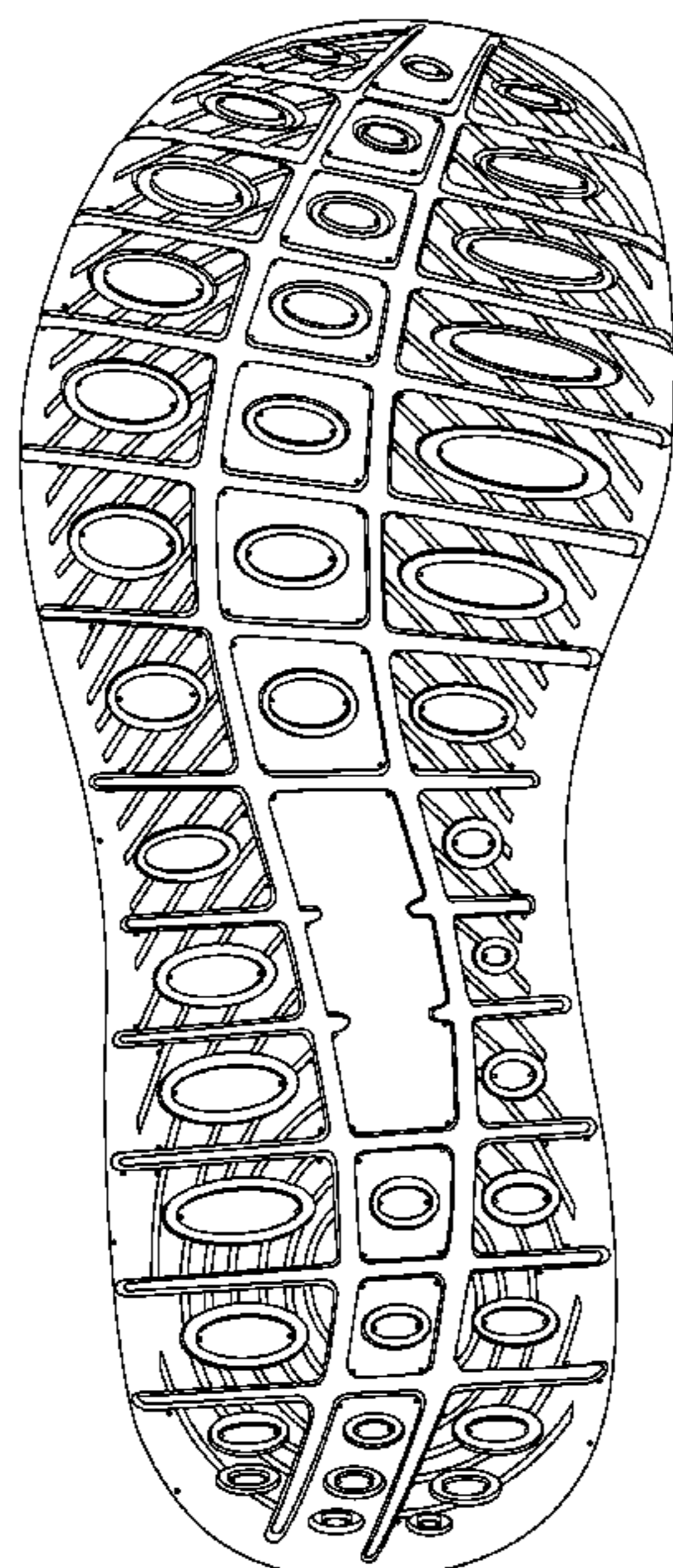
FIG. 4 is a left side view thereof;

FIG. 5 is a front view thereof; and,

FIG. 6 is a rear view thereof.

FIGS. 1–6 show features of an article of footwear in phantom lines. These features are shown for environmental purposes and do not form any part of the claimed design. Further, the phantom lines immediately adjacent the solid-line portions of the design form the boundary of the design, with the phantom lines forming no part of the claimed design.

**1 Claim, 4 Drawing Sheets**



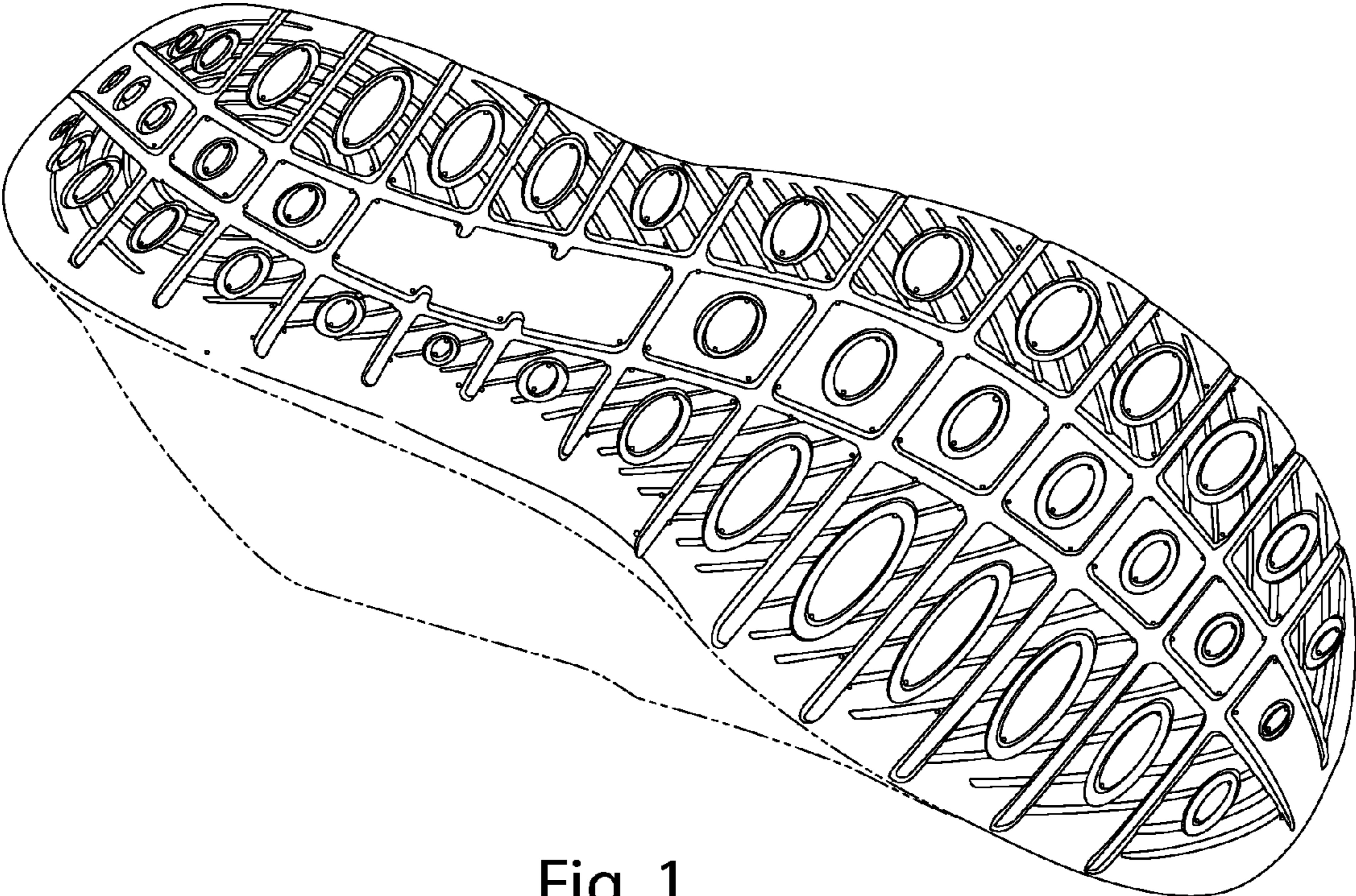


Fig. 1

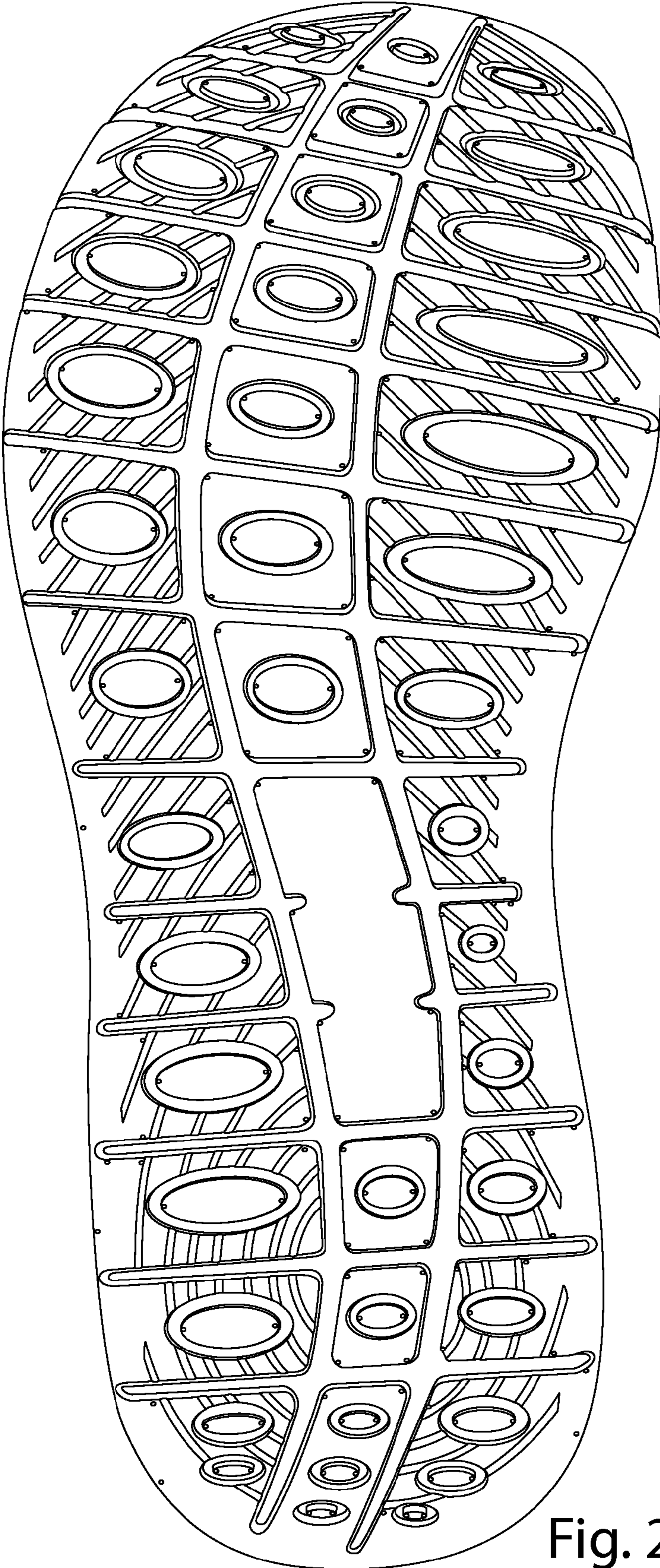


Fig. 2

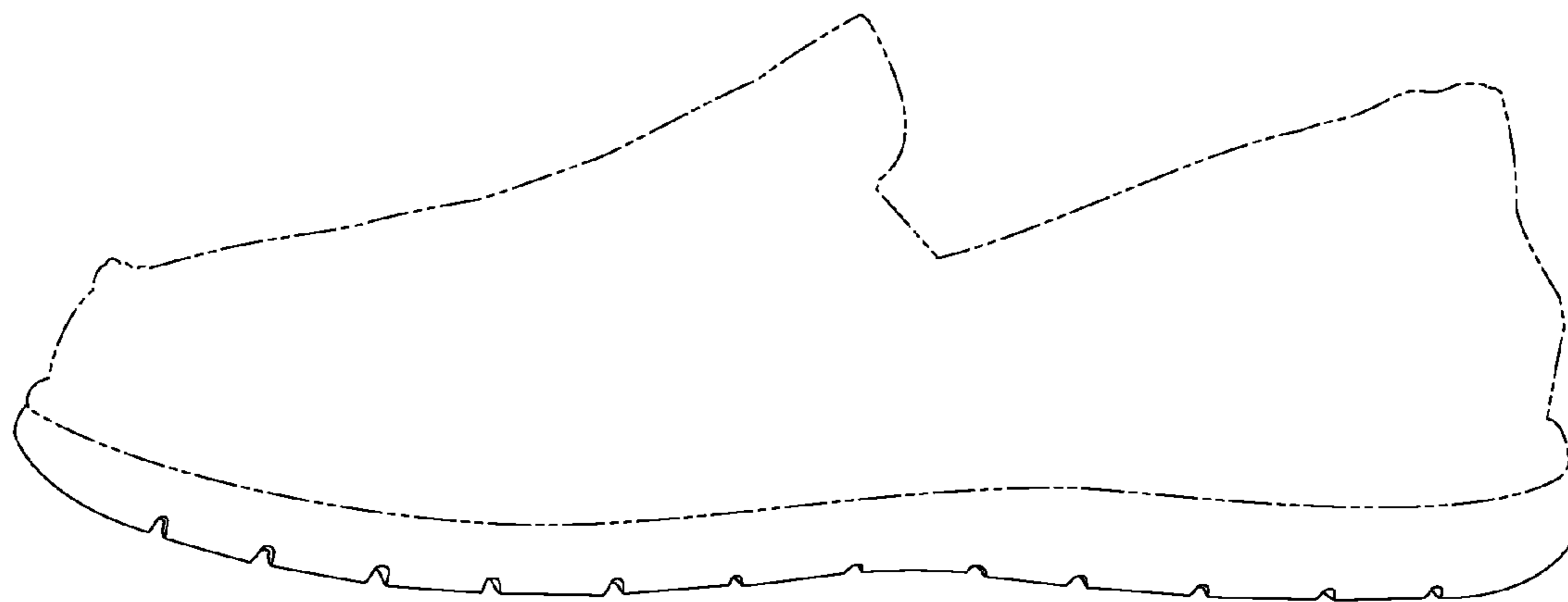


Fig. 3

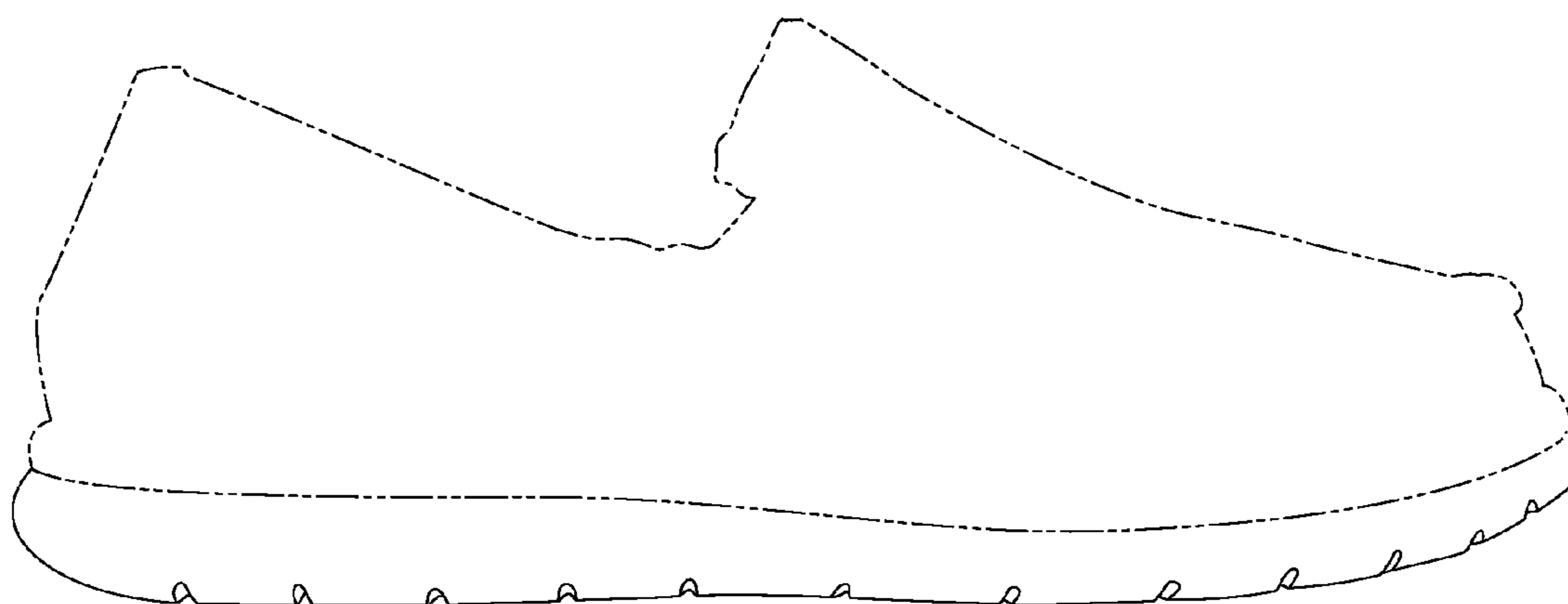


Fig. 4

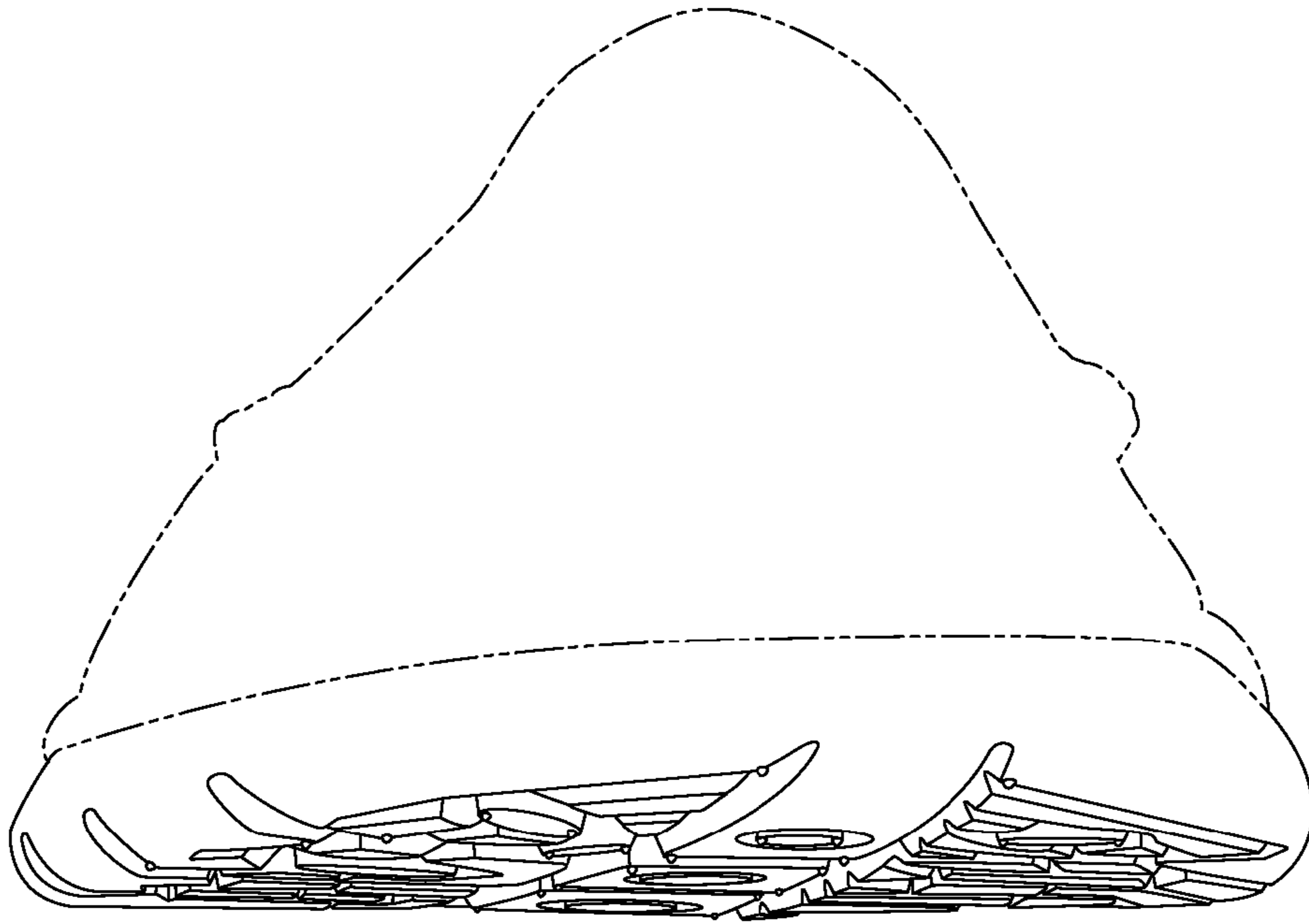


Fig. 5

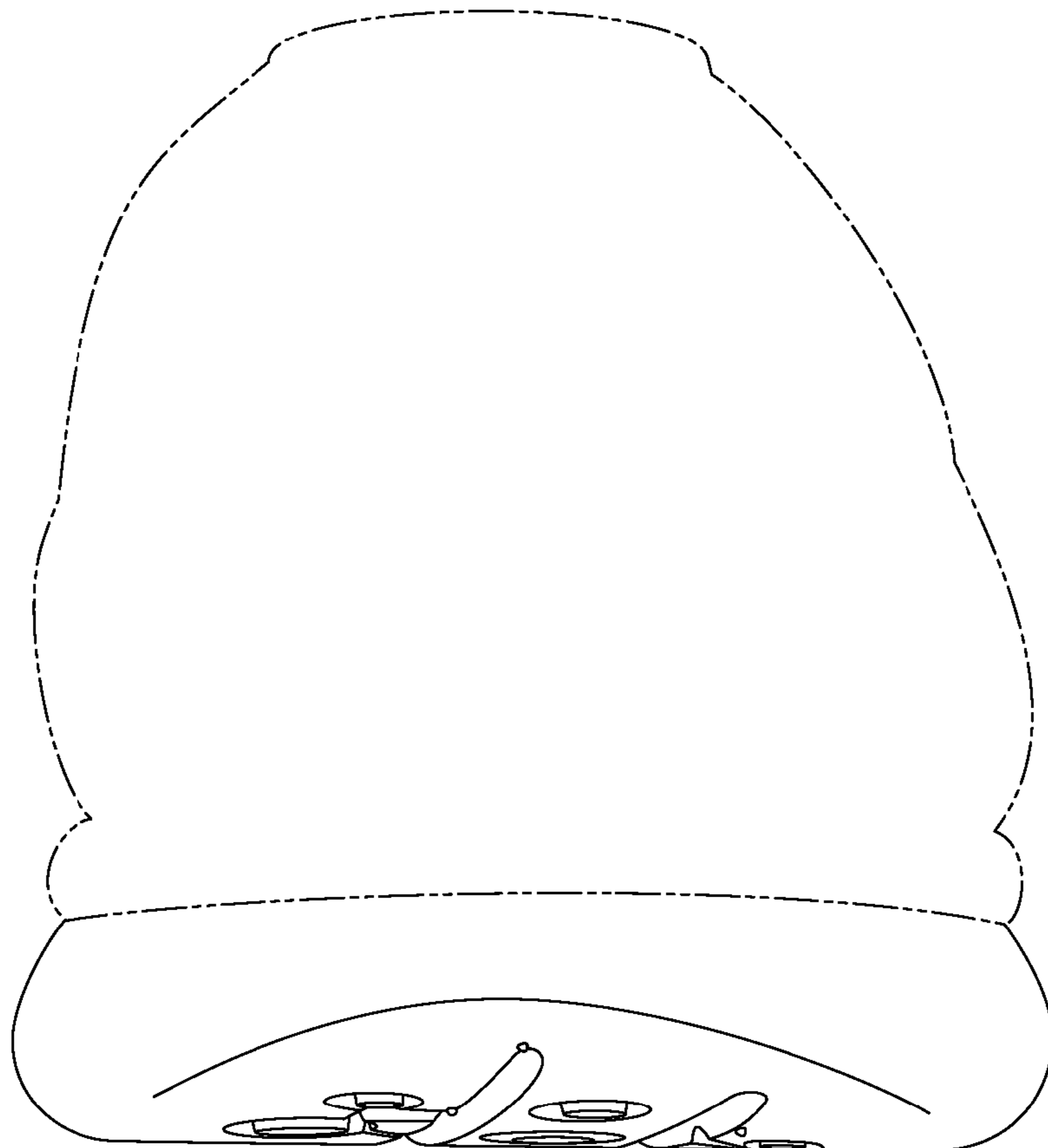


Fig. 6