



US00D584475S

(12) **United States Design Patent**  
**Mytych et al.**

(10) **Patent No.:** **US D584,475 S**  
(45) **Date of Patent:** **\*\* Jan. 6, 2009**

(54) **URN**  
(75) **Inventors:** **Clint Mytych**, Farmington Hills, MI (US); **Donna Shatter**, Farmington Hills, MI (US); **W. Nicholas Popravsky**, Novi, MI (US); **Erik Holmen**, Bradenton, FL (US)

D356,422 S \* 3/1995 Parker ..... D99/5  
D360,732 S \* 7/1995 Parker ..... D99/5  
D479,640 S \* 9/2003 Robinson ..... D99/5  
D479,900 S \* 9/2003 Robinson ..... D99/5

\* cited by examiner

(73) **Assignee:** **Eternal Image, Inc.**, Farmington Hills, MI (US)

*Primary Examiner*—Louis S Zarfaz  
*Assistant Examiner*—Michael A Pratt  
(74) *Attorney, Agent, or Firm*—Gifford, Krass, Sprink, Anderson & Citkowski, P.C.

(\*\*) **Term:** **14 Years**

(21) **Appl. No.:** **29/296,808**

(57) **CLAIM**

(22) **Filed:** **Oct. 29, 2007**

The ornamental design for an urn, as shown and described.

(51) **LOC (9) Cl.** ..... **99-00**  
(52) **U.S. Cl.** ..... **D99/5**  
(58) **Field of Classification Search** ..... D99/1–24;  
27/2, 14, 27, 30; 206/45.25, 423; 248/315;  
47/41.11, 41.01, 39; D11/117, 120, 121,  
D11/122, 139, 143, 144, 151; D20/42, 43,  
D20/17, 18, 19, 20, 21, 22, 23, 24, 25, 26,  
D20/27

**DESCRIPTION**

See application file for complete search history.

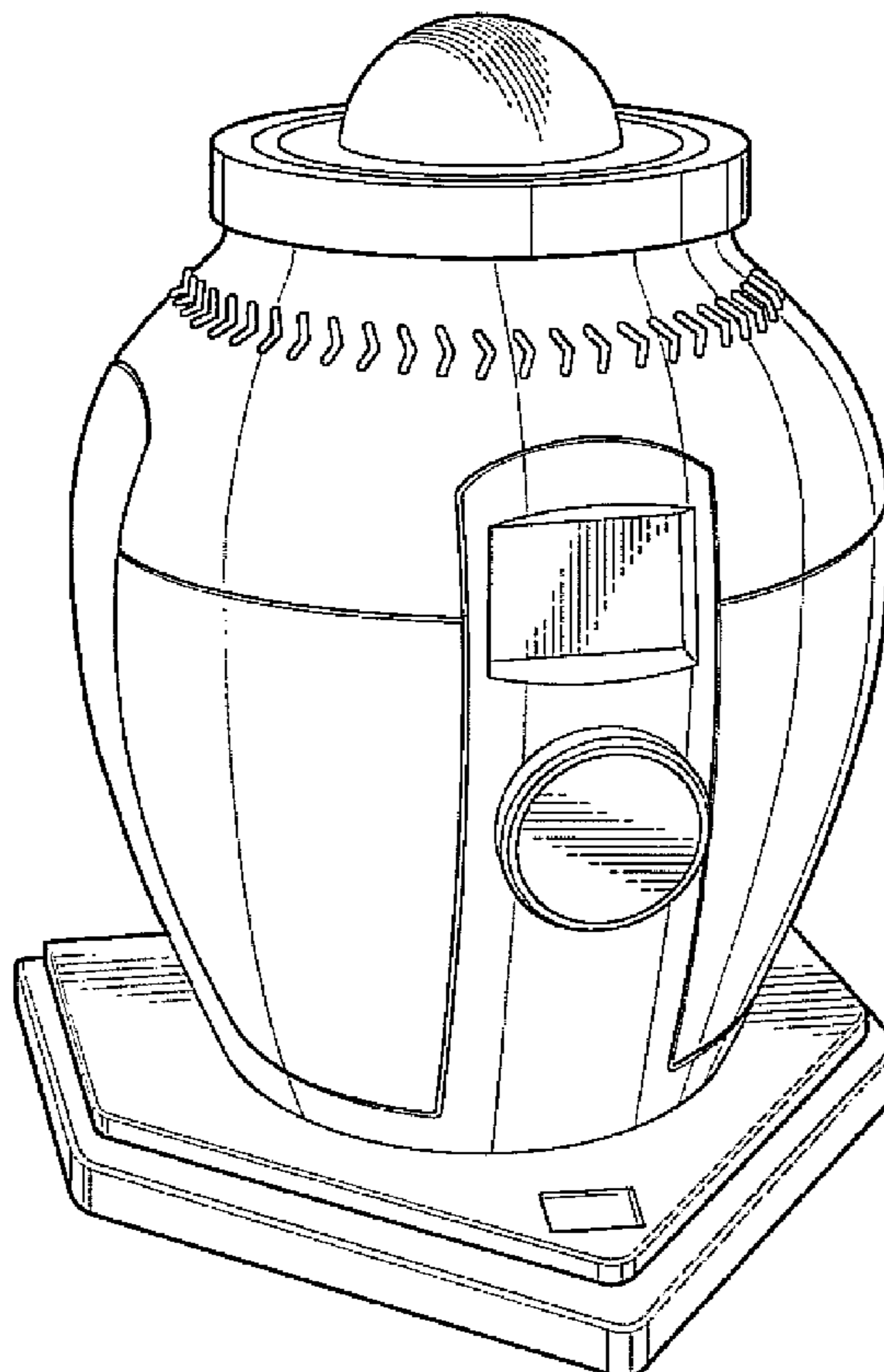
FIG. 1 is a perspective view of an urn according to the present invention;  
FIG. 2 is a front-elevational view of the urn of FIG. 1;  
FIG. 3 is a side-elevational view of the urn of FIGS. 1 and 2, the other side view being a mirror image thereof;  
FIG. 4 is a rear elevational view of the urn of FIGS. 1–3;  
FIG. 5 is a top plan view of the urn of FIGS. 1–4; and  
FIG. 6 is a bottom view of the urn of FIGS. 1–5.

(56) **References Cited**

**U.S. PATENT DOCUMENTS**

2,235,617 A \* 3/1941 Klinzing ..... 27/1

**1 Claim, 3 Drawing Sheets**



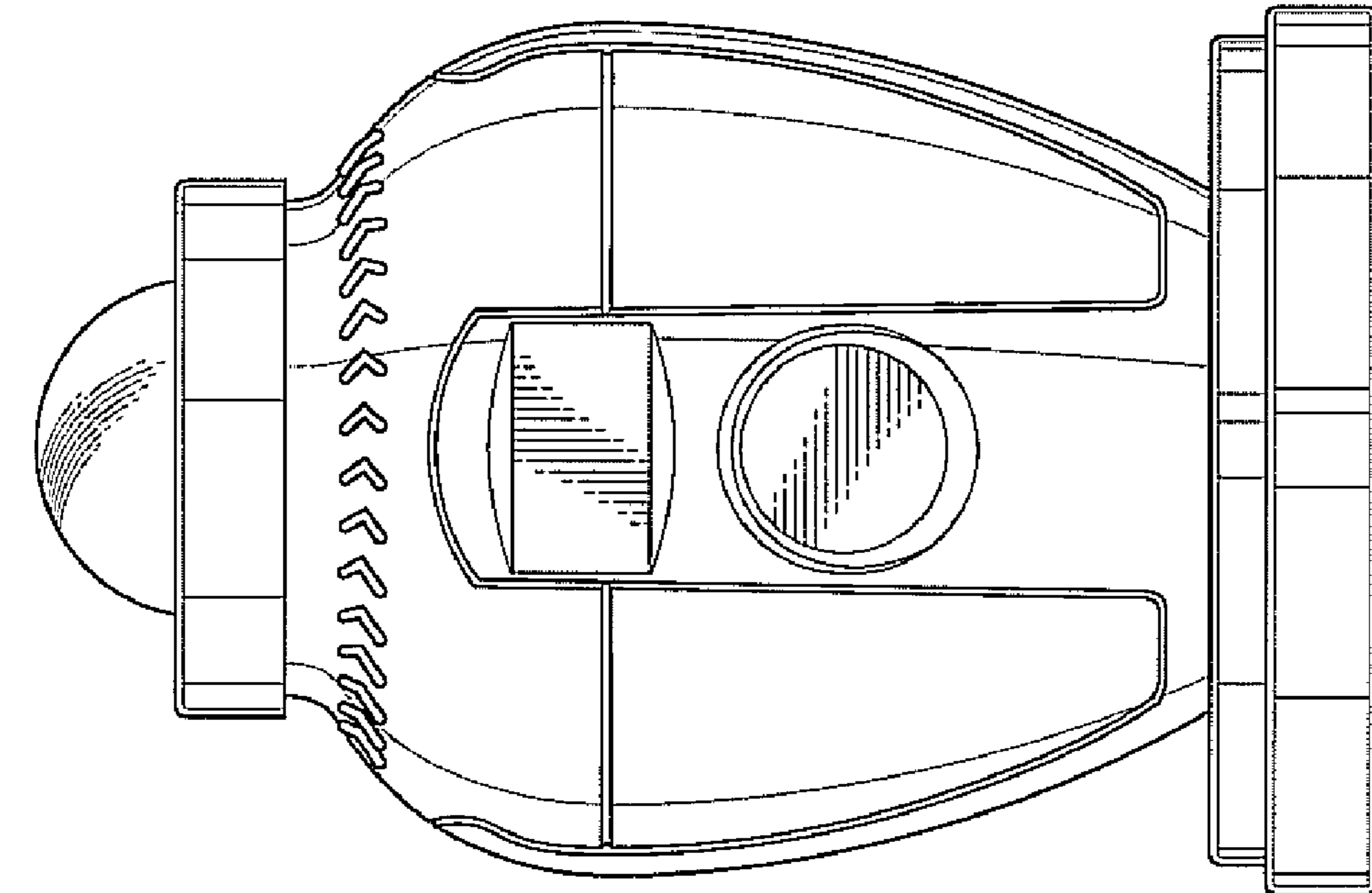


FIG - 2

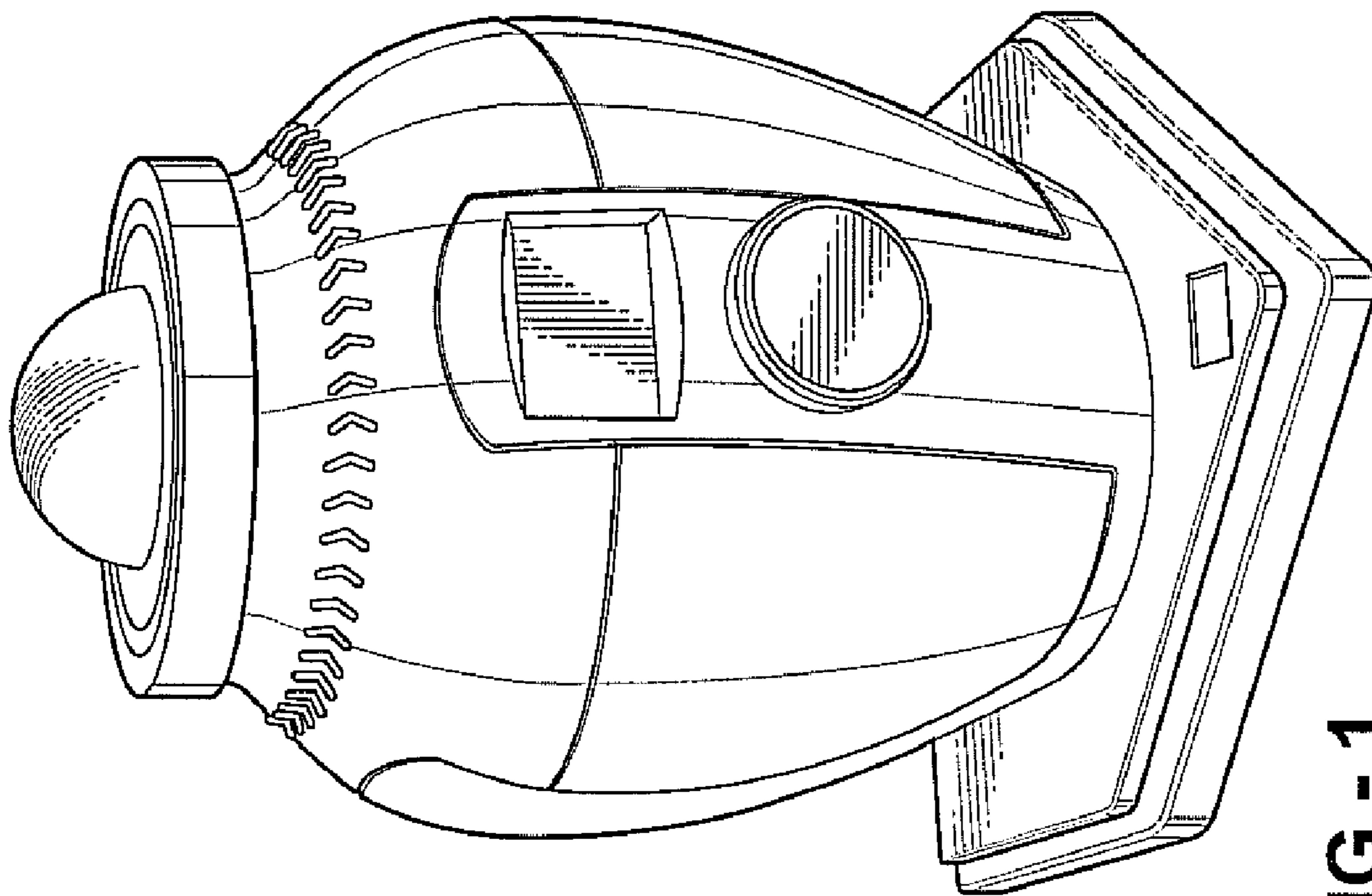


FIG - 1

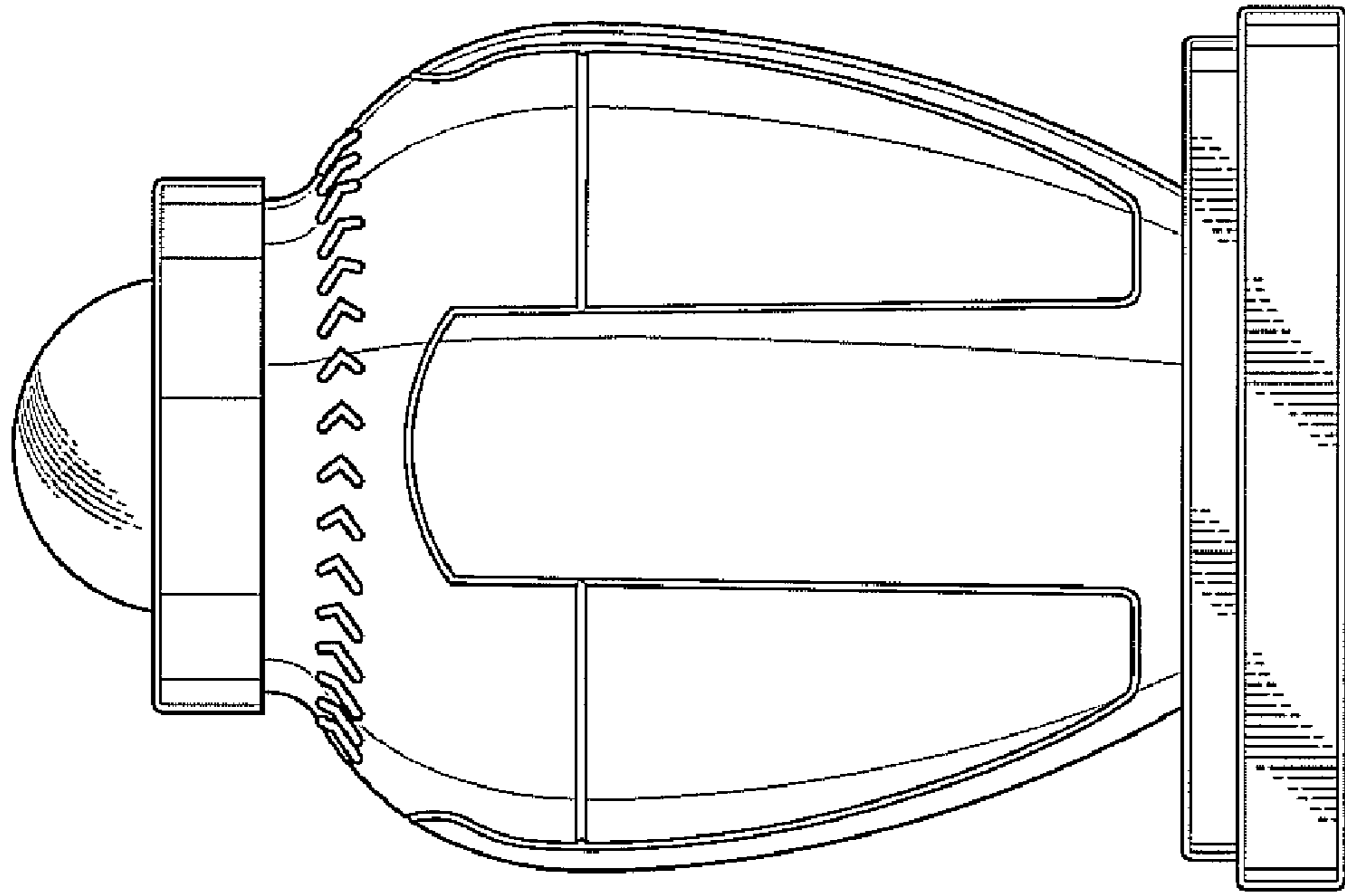


FIG - 3

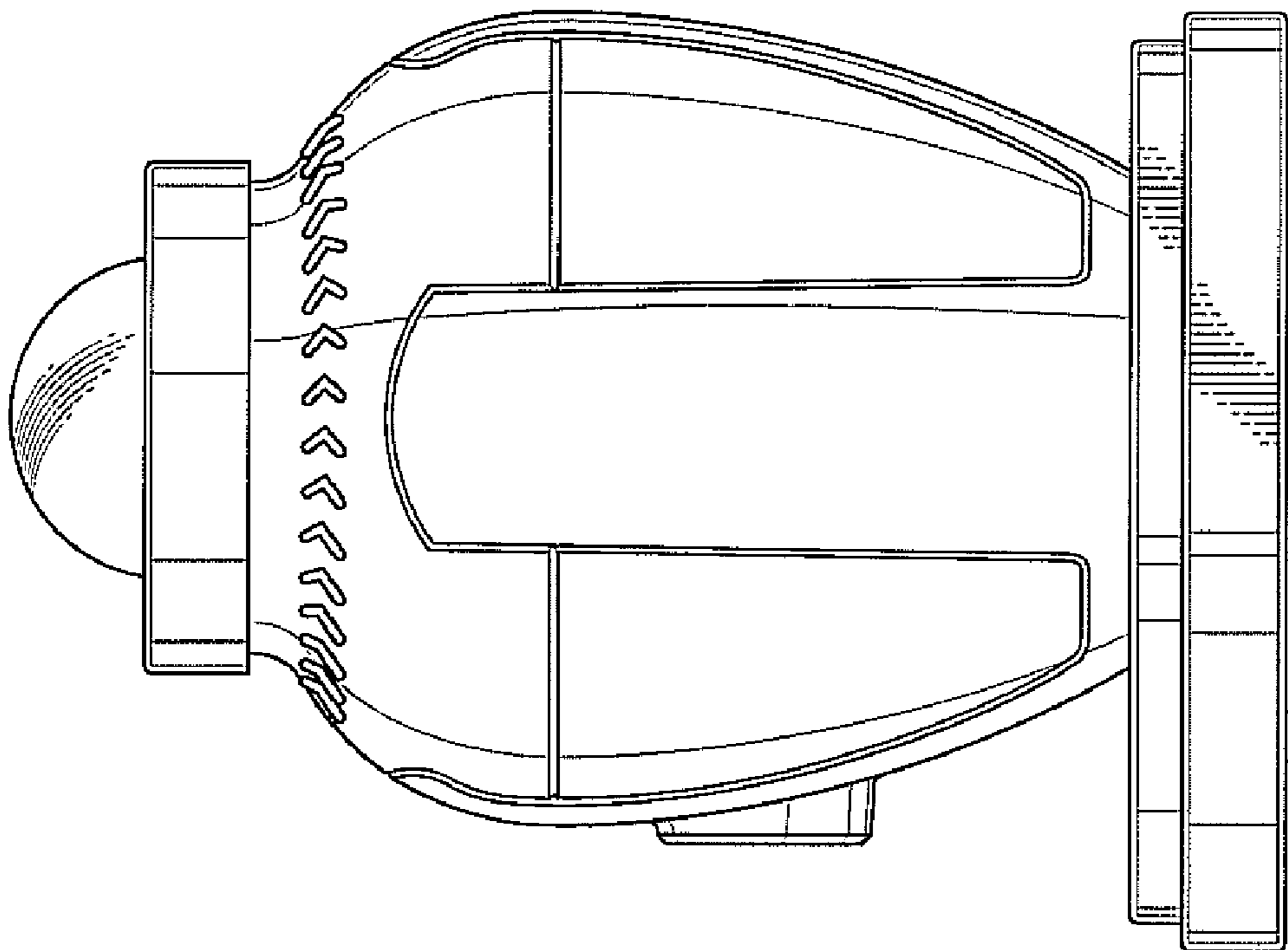


FIG - 4

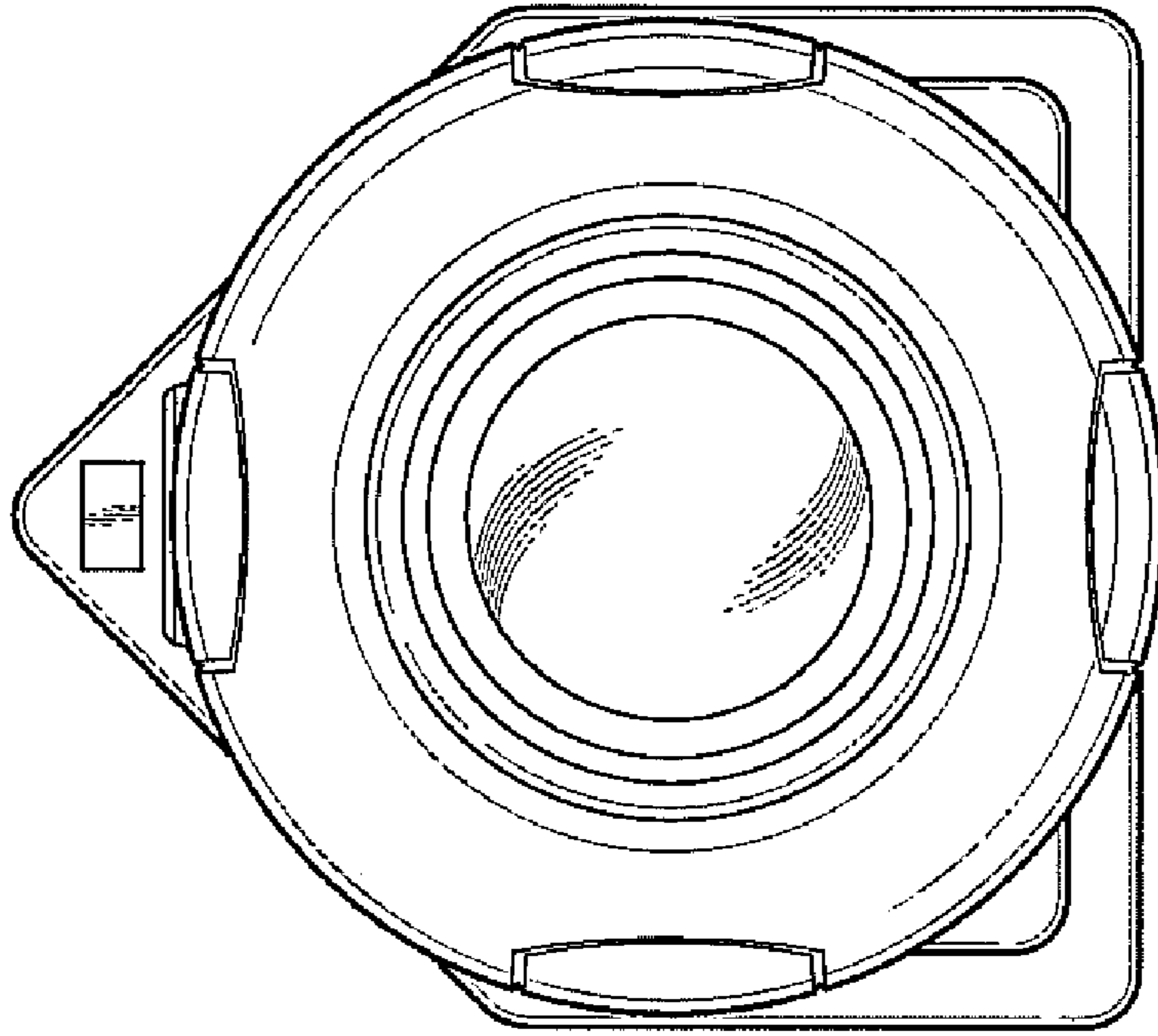


FIG - 6

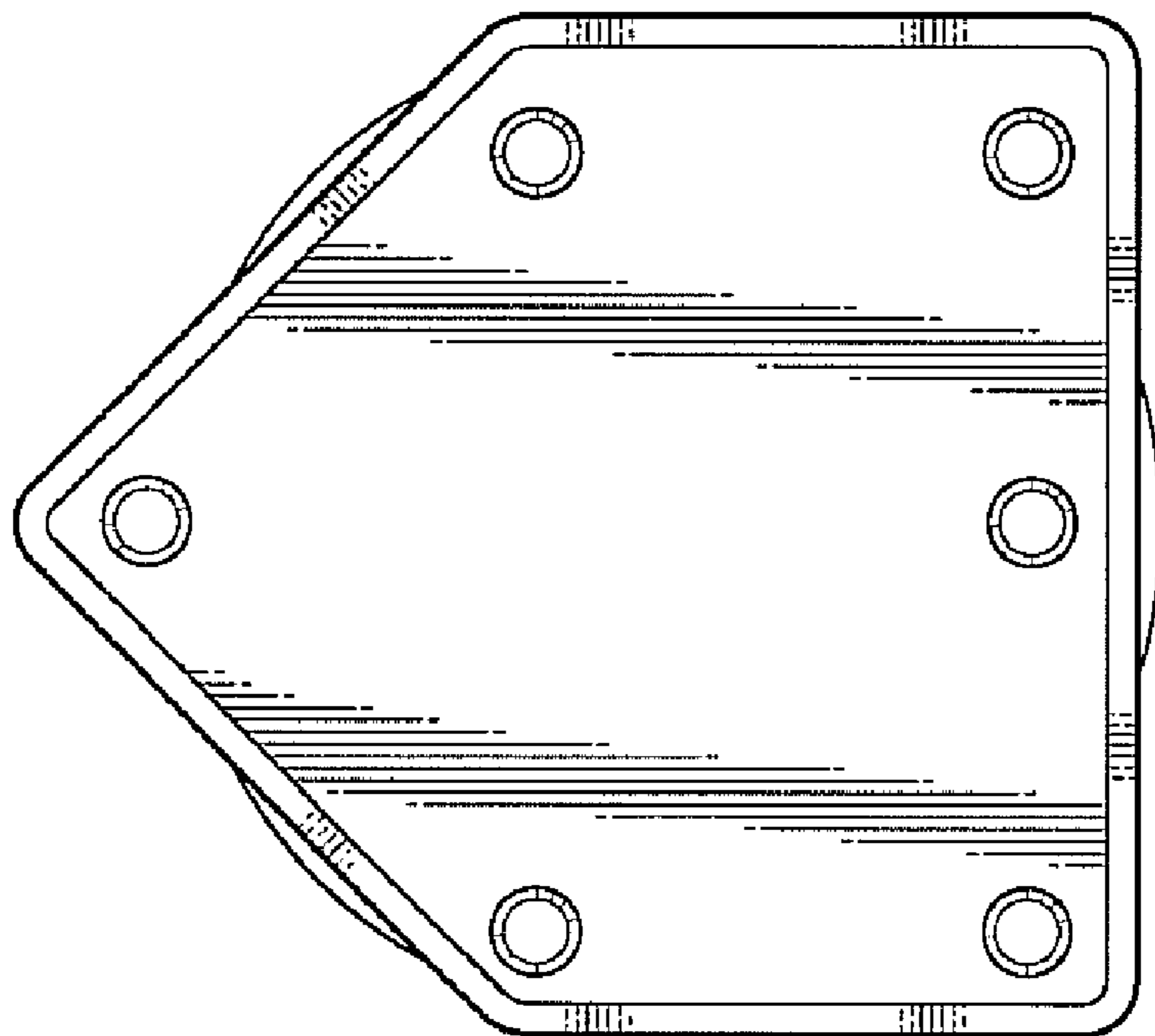


FIG - 5