



US00D584474S

(12) **United States Design Patent**
Campbell et al.

(10) **Patent No.:** **US D584,474 S**

(45) **Date of Patent:** **** Jan. 6, 2009**

(54) **TRACK EXTRUSION FOR A COMPACTUS ASSEMBLY**

(75) Inventors: **George Giles Campbell**, Hilton (AU);
Brian Maurice Parker, Edwardstown (AU)

(73) Assignee: **Glidestore Freetrack Pty Ltd** (AU)

(**) Term: **14 Years**

(21) Appl. No.: **29/301,185**

(22) Filed: **Feb. 14, 2008**

(51) **LOC (9) Cl.** **12-05**

(52) **U.S. Cl.** **D34/29**

(58) **Field of Classification Search** D34/29,
D34/35; D25/122, 199, 121, 120, 123, 125,
D25/136; 238/122, 127, 268; 49/467, 468;
198/300, 841, 678.1, 685, 686, 687
See application file for complete search history.

(56) **References Cited**

U.S. PATENT DOCUMENTS

1,966,402	A *	7/1934	Barringer	52/181
D256,545	S *	8/1980	Legerius et al.	D8/71
D311,588	S *	10/1990	Nagano	D26/24
D315,819	S *	3/1991	Dinsmoor et al.	D34/38
D408,558	S *	4/1999	Levy	D25/119

D488,243	S *	4/2004	Babka et al.	D25/119
D489,465	S *	5/2004	Allsopp	D25/119
D494,042	S *	8/2004	Wright	D8/354
D570,501	S *	6/2008	Janesz et al.	D25/125
2003/0005644	A1 *	1/2003	Reithmeyer et al.	49/467

* cited by examiner

Primary Examiner—Cynthia E Ramirez

(74) *Attorney, Agent, or Firm*—Francis Law Group

(57) **CLAIM**

I claim the ornamental design for a track extrusion for a compactus assembly, as shown and described.

DESCRIPTION

FIG. 1 is a perspective view of our new design for a track extrusion for a compactus assembly;

FIG. 2 is a front elevational view thereof; the rear elevational view thereof being identical to said front elevational view;

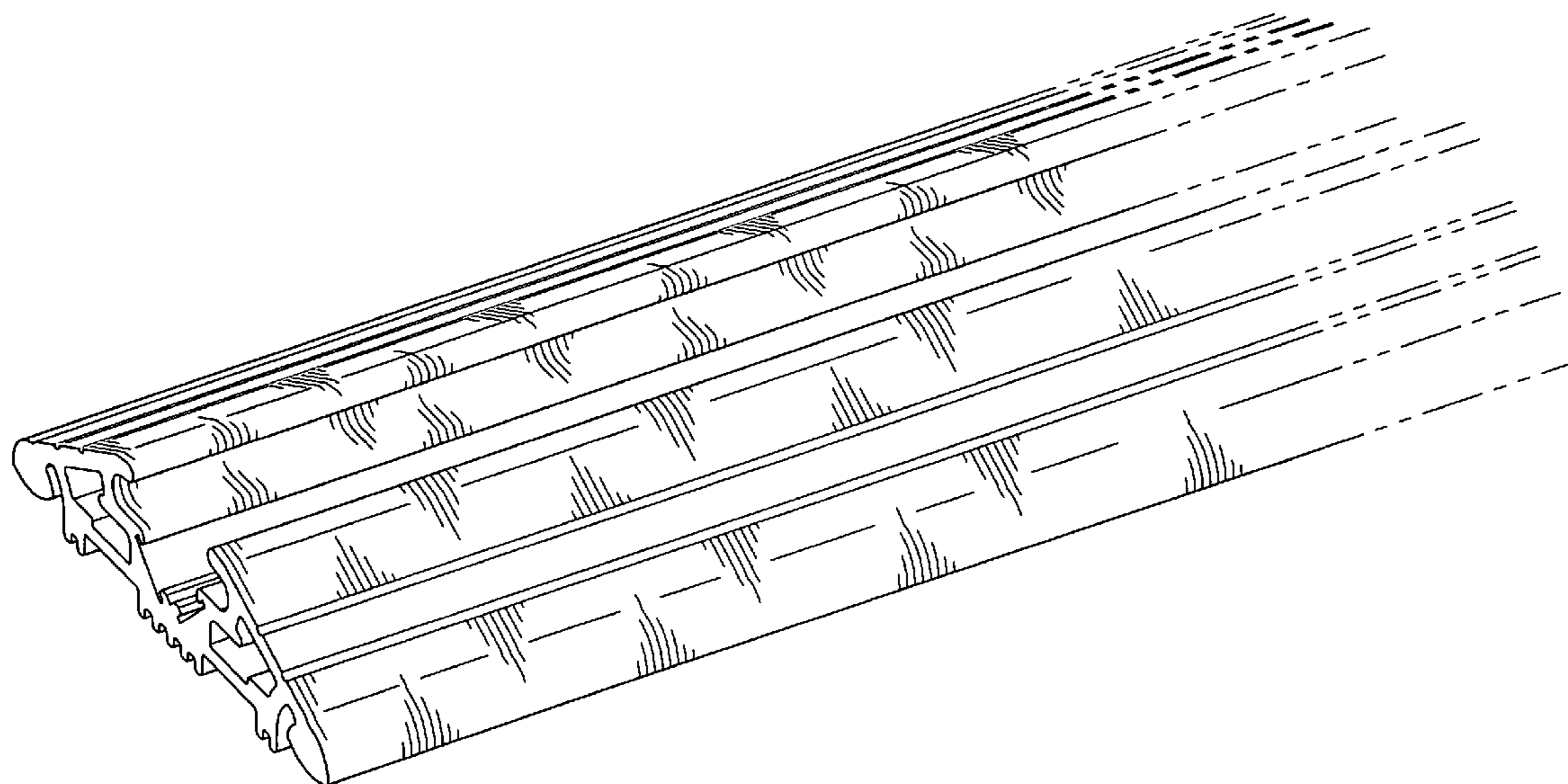
FIG. 3 is a right side elevational view thereof; the left side elevational view thereof being identical to said right side elevational view;

FIG. 4 is a top elevational view thereof; and,

FIG. 5 is a bottom elevational view thereof.

The broken lines on the ramp indicate that no specific length is claimed.

1 Claim, 3 Drawing Sheets



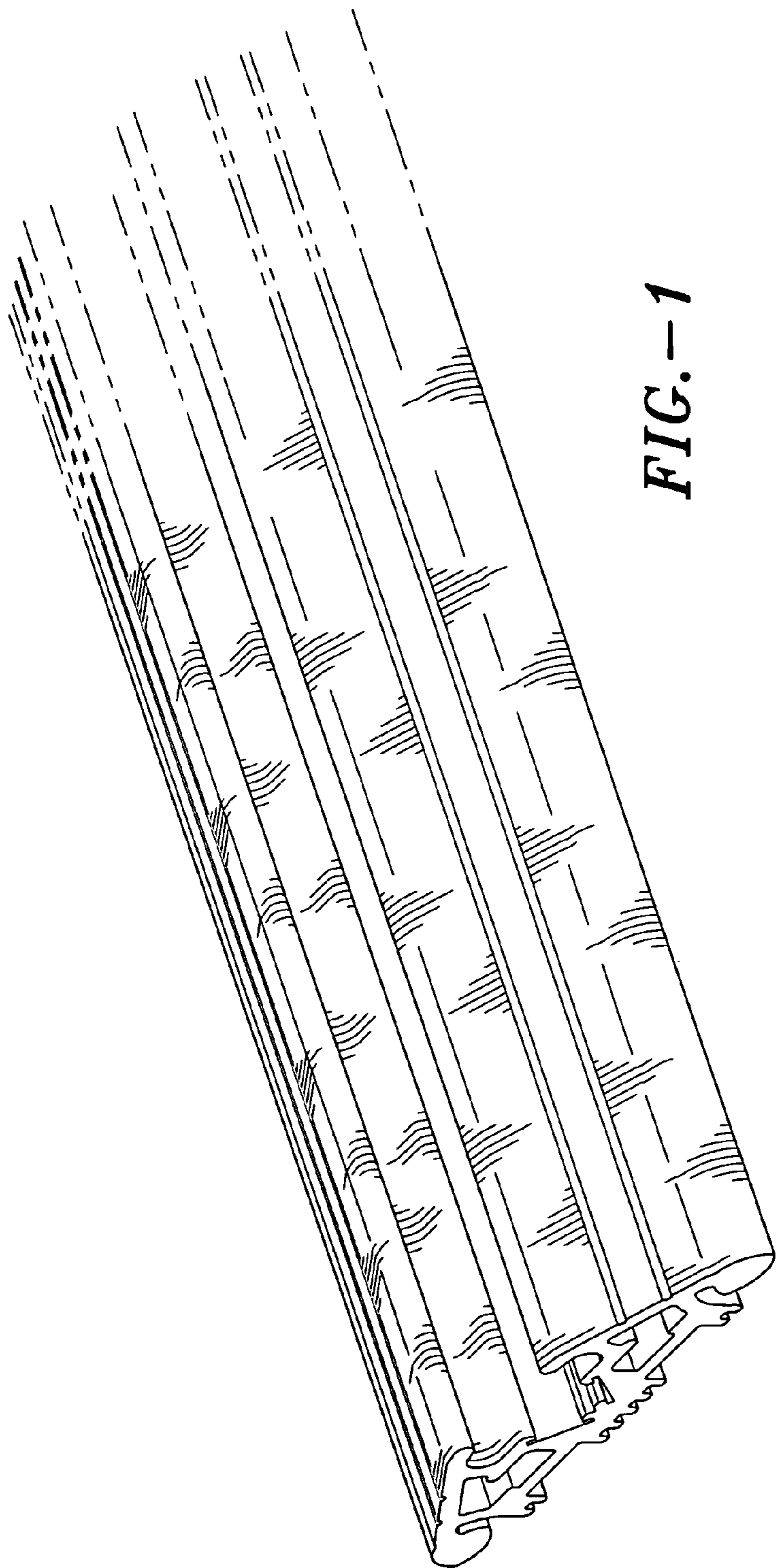


FIG. -1

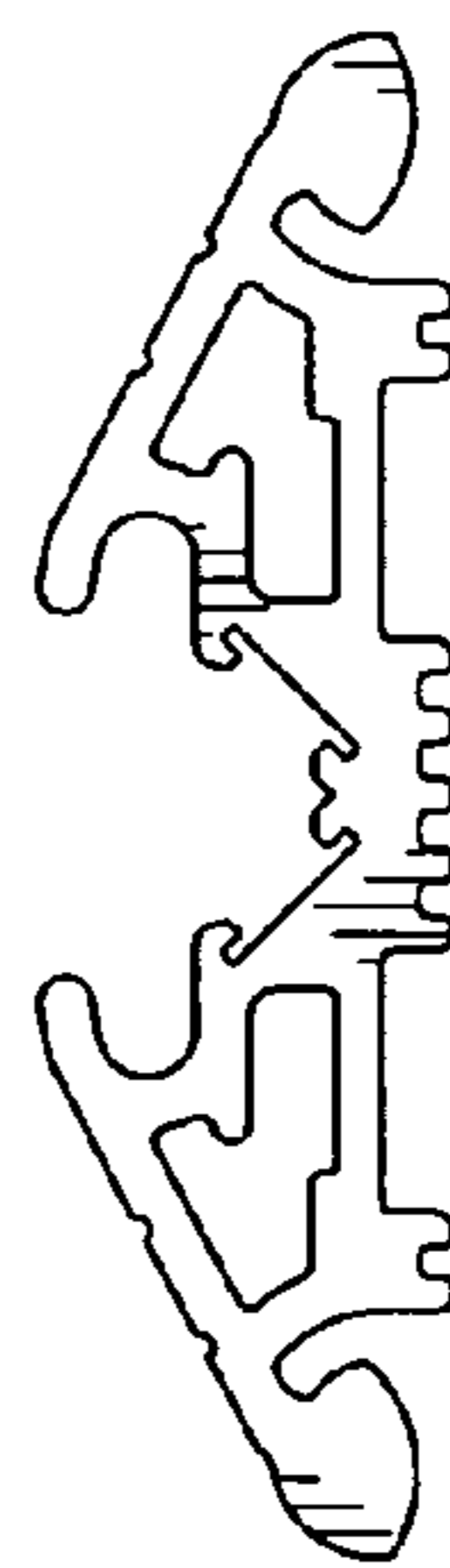


FIG. -2



FIG. -3

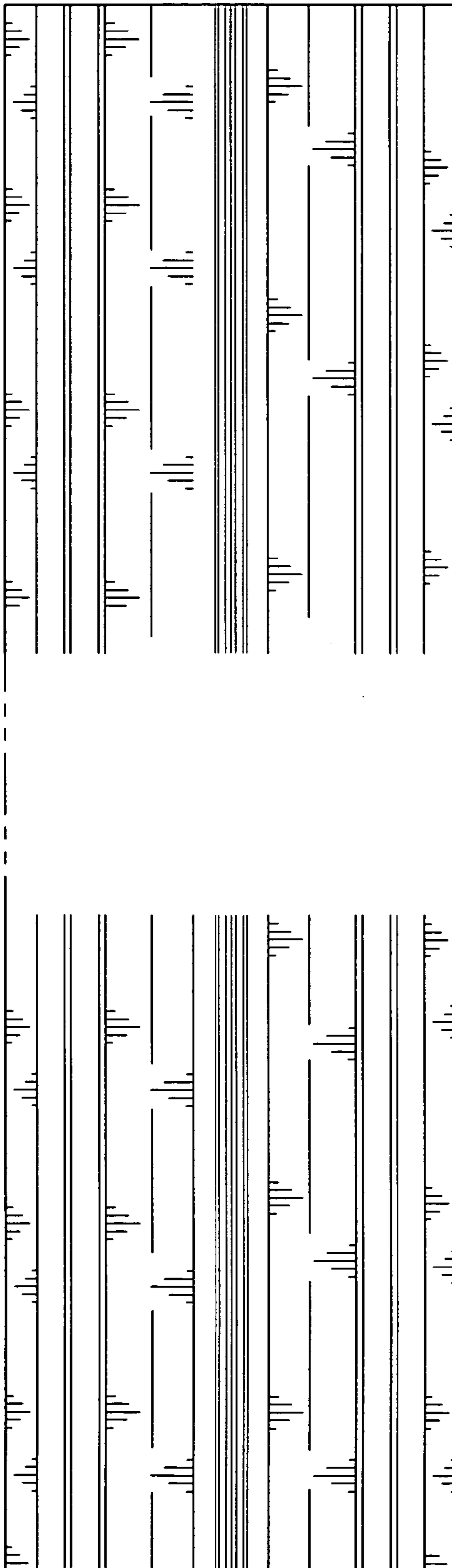


FIG. -4

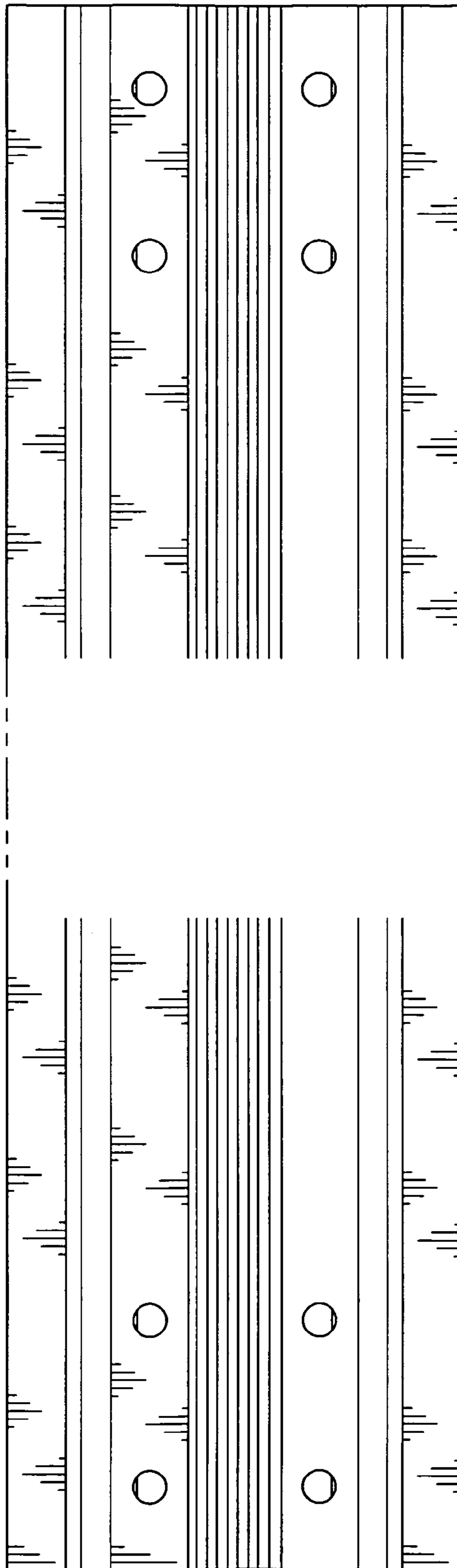


FIG. -5