



US00D584471S

(12) **United States Design Patent**
Diedericks

(10) **Patent No.:** **US D584,471 S**

(45) **Date of Patent:** **** Jan. 6, 2009**

(54) **WIRE AND CABLE SPOOL CART**

(76) **Inventor:** **Johannes Petrus Louis Diedericks,**
1824 Troy Smith Rd., Monroe, GA (US)
30656

(**) **Term:** **14 Years**

(21) **Appl. No.:** **29/304,879**

(22) **Filed:** **Mar. 8, 2008**

(51) **LOC (9) Cl.** **12-02**

(52) **U.S. Cl.** **D34/21**

(58) **Field of Classification Search** D34/12-27;
280/47.28, 47.18, 47.19, 79.3, 49.19; 211/85.15;
242/594.6, 594.2; 414/446

See application file for complete search history.

(56) **References Cited**

U.S. PATENT DOCUMENTS

2,705,114 A	3/1955	Worsham	
D182,483 S	4/1958	Skinner	
3,072,357 A	1/1963	Sprague et al.	
3,134,555 A	5/1964	Baker	
3,603,526 A	9/1971	Payne et al.	
3,854,509 A	12/1974	Bailey	
3,856,230 A	12/1974	Zimmer	
D269,388 S	6/1983	Smith et al.	
4,391,422 A	7/1983	McDonald	
4,564,152 A	1/1986	Herriage	
4,611,645 A *	9/1986	Whisnant	242/129.5
5,104,135 A *	4/1992	Sheets	280/47.19
5,123,666 A *	6/1992	Moore	280/47.28
5,275,349 A	1/1994	Tussing	
5,285,981 A *	2/1994	Pavelka	242/557
5,308,012 A	5/1994	Fuller	

5,316,232 A	5/1994	Lambert, Jr.	
5,509,671 A	4/1996	Campbell	
5,687,928 A	11/1997	Lassiter	
5,915,646 A	6/1999	Campbell	
6,270,094 B1	8/2001	Campbell	
6,422,504 B1	7/2002	Elder	
6,523,776 B1	2/2003	Elder	
6,698,682 B1	3/2004	Roderick	
D491,330 S *	6/2004	Violo D34/21
6,877,753 B2	4/2005	Anderson et al.	
6,951,316 B1	10/2005	Heidelberger	
7,150,459 B2	12/2006	Anderson et al.	
7,243,876 B2	7/2007	Robison	

* cited by examiner

Primary Examiner—Cynthia E Ramirez

(74) *Attorney, Agent, or Firm*—George Ronald Reardon

(57) **CLAIM**

The ornamental design for a wire and cable spool cart, as shown and described.

DESCRIPTION

FIG. 1 is a front perspective view of a wire and cable spool cart showing my new design;

FIG. 2 is a rear perspective thereof;

FIG. 3 is a left side elevation view thereof;

FIG. 4 is a right side elevation view thereof;

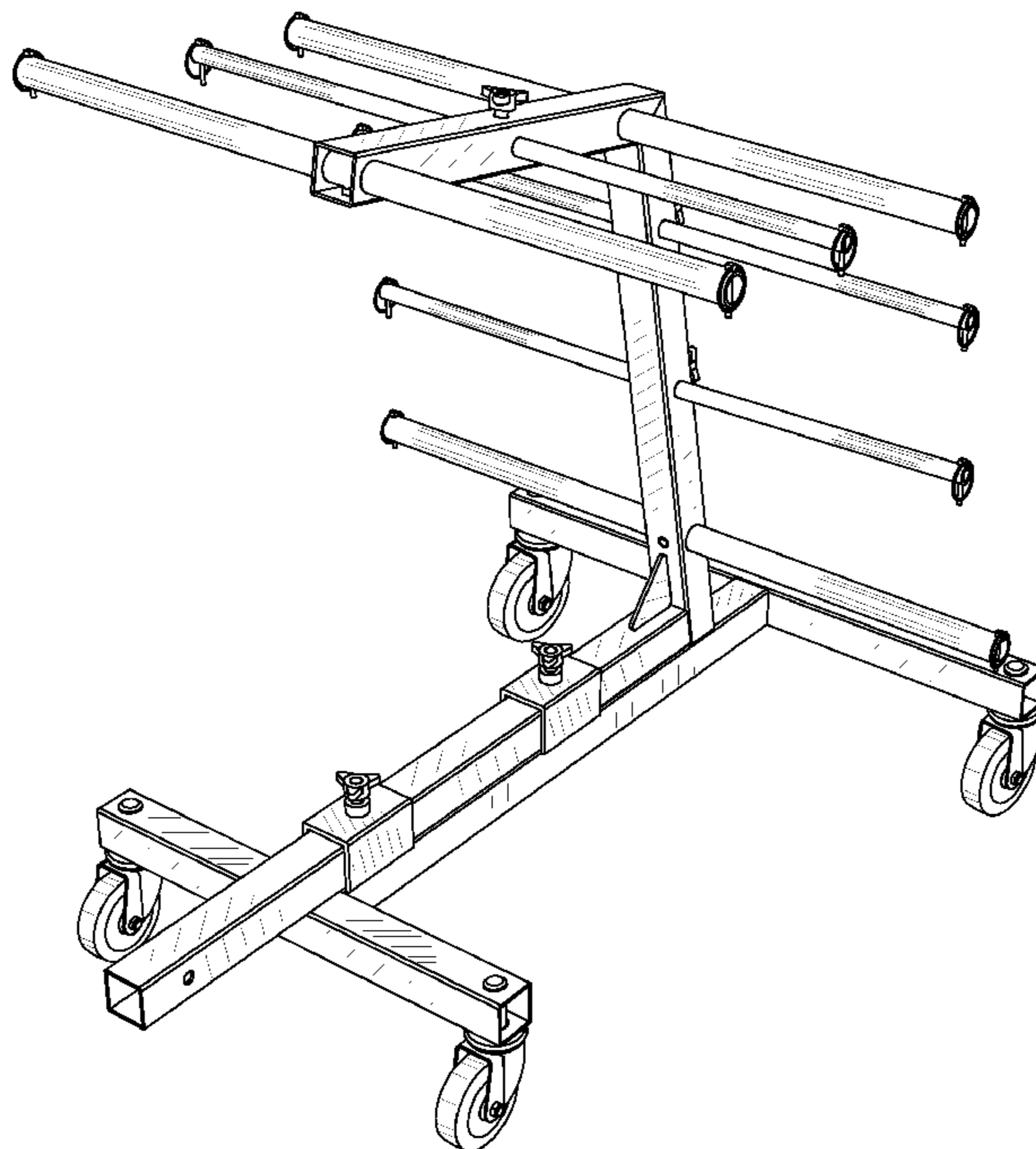
FIG. 5 is a top plan view thereof;

FIG. 6 is a bottom plan view thereof;

FIG. 7 is a rear elevation view thereof; and,

FIG. 8 is a front elevation view thereof.

1 Claim, 8 Drawing Sheets



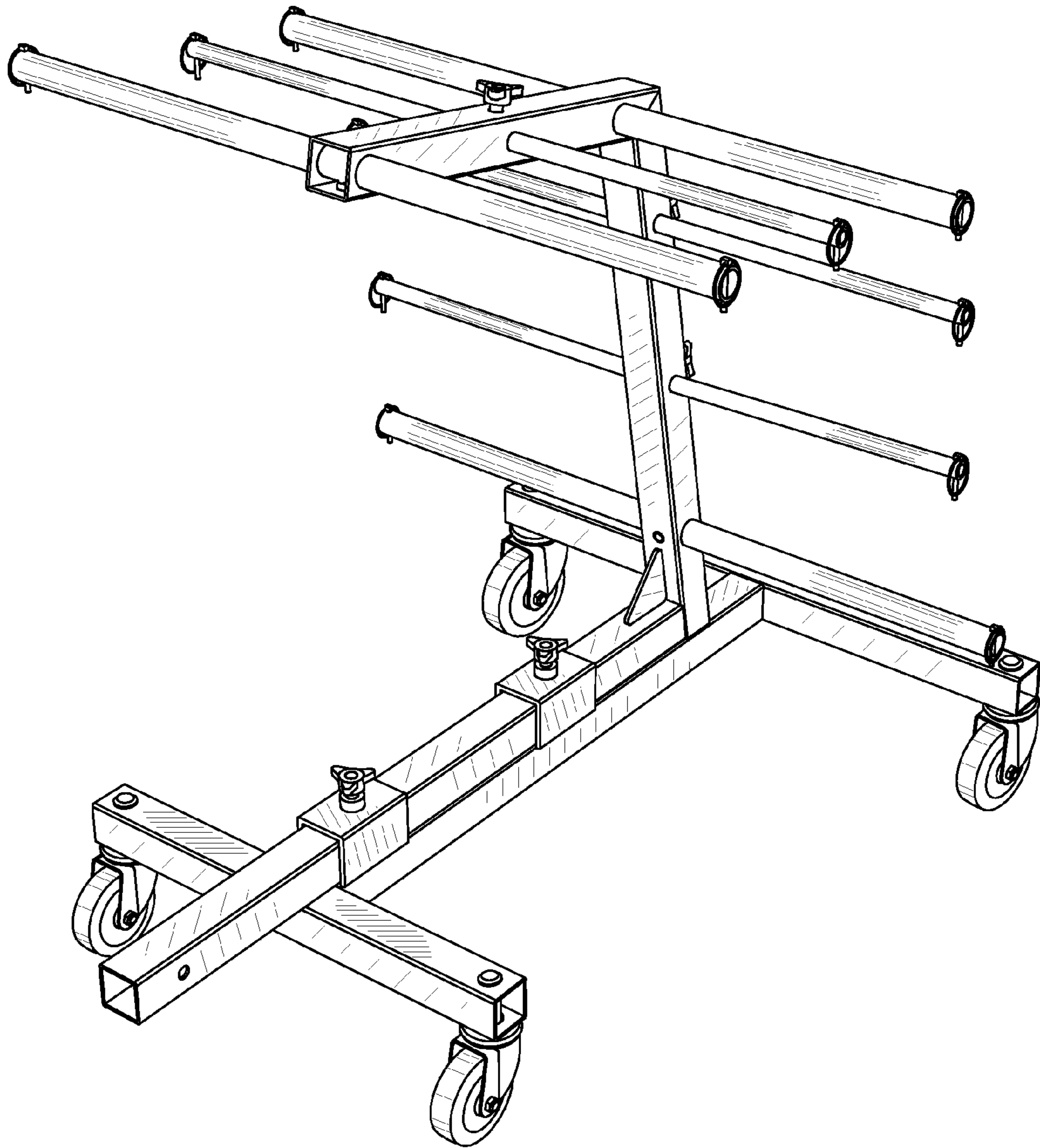


FIG. 1

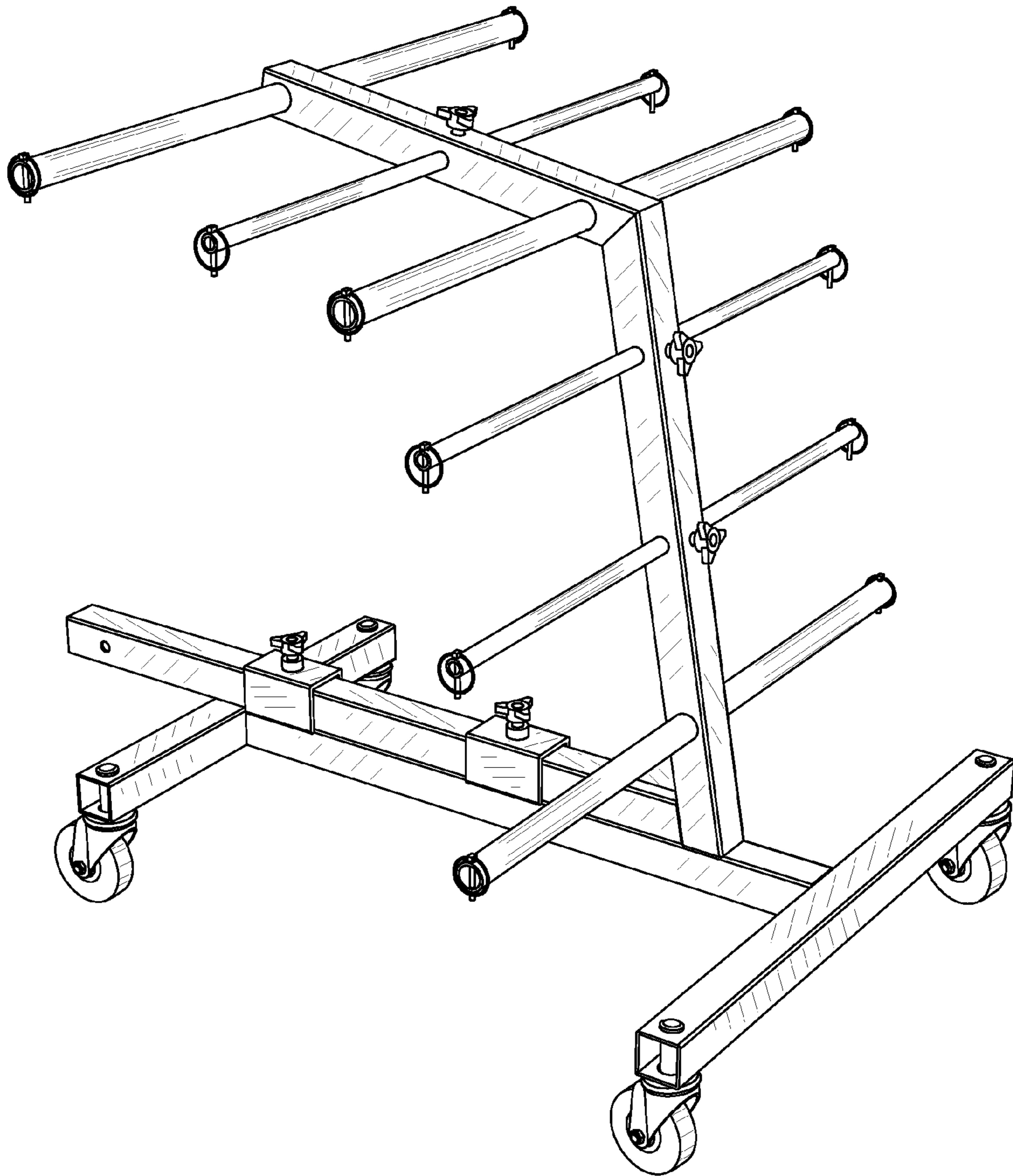


FIG. 2

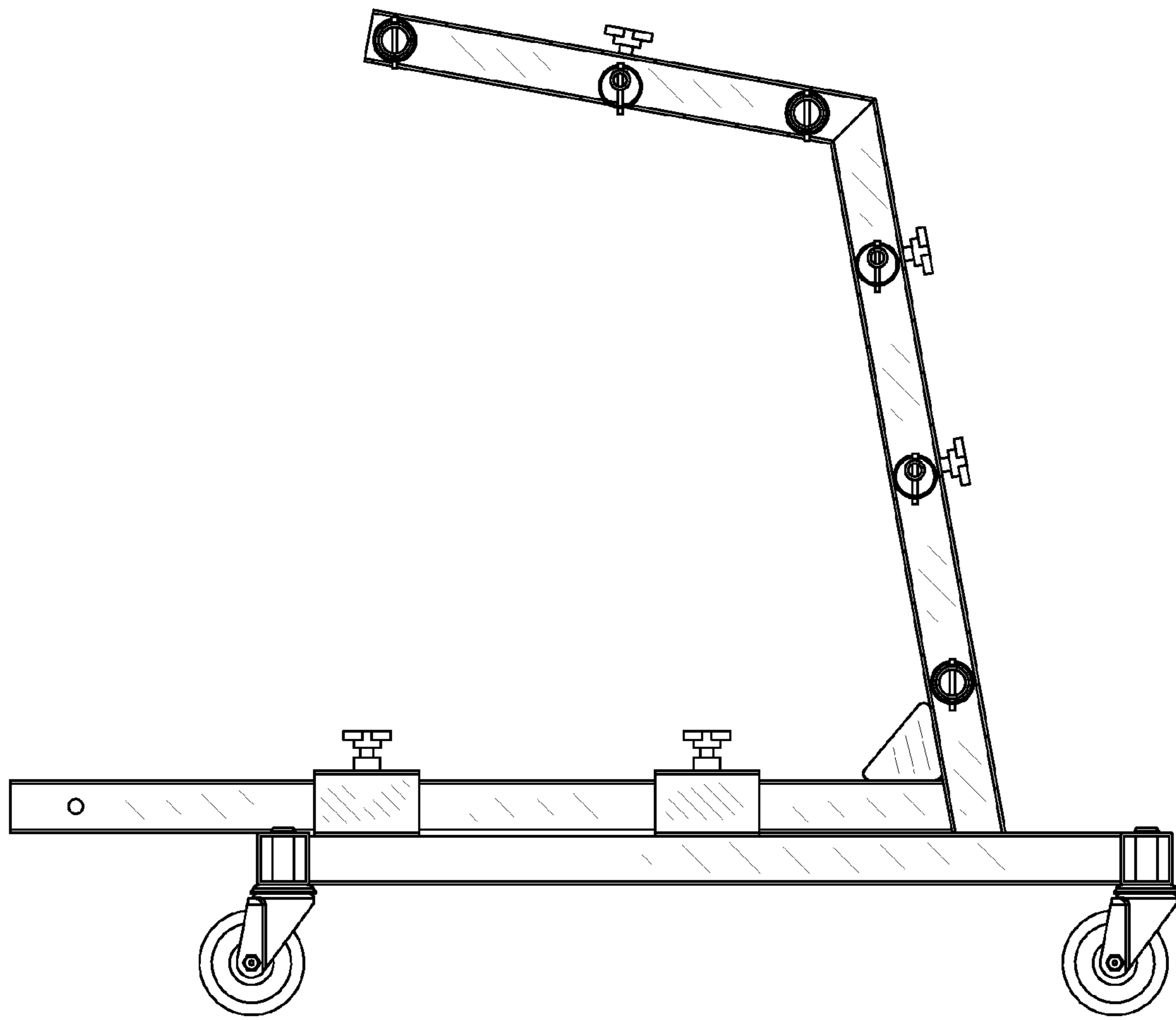


FIG. 3

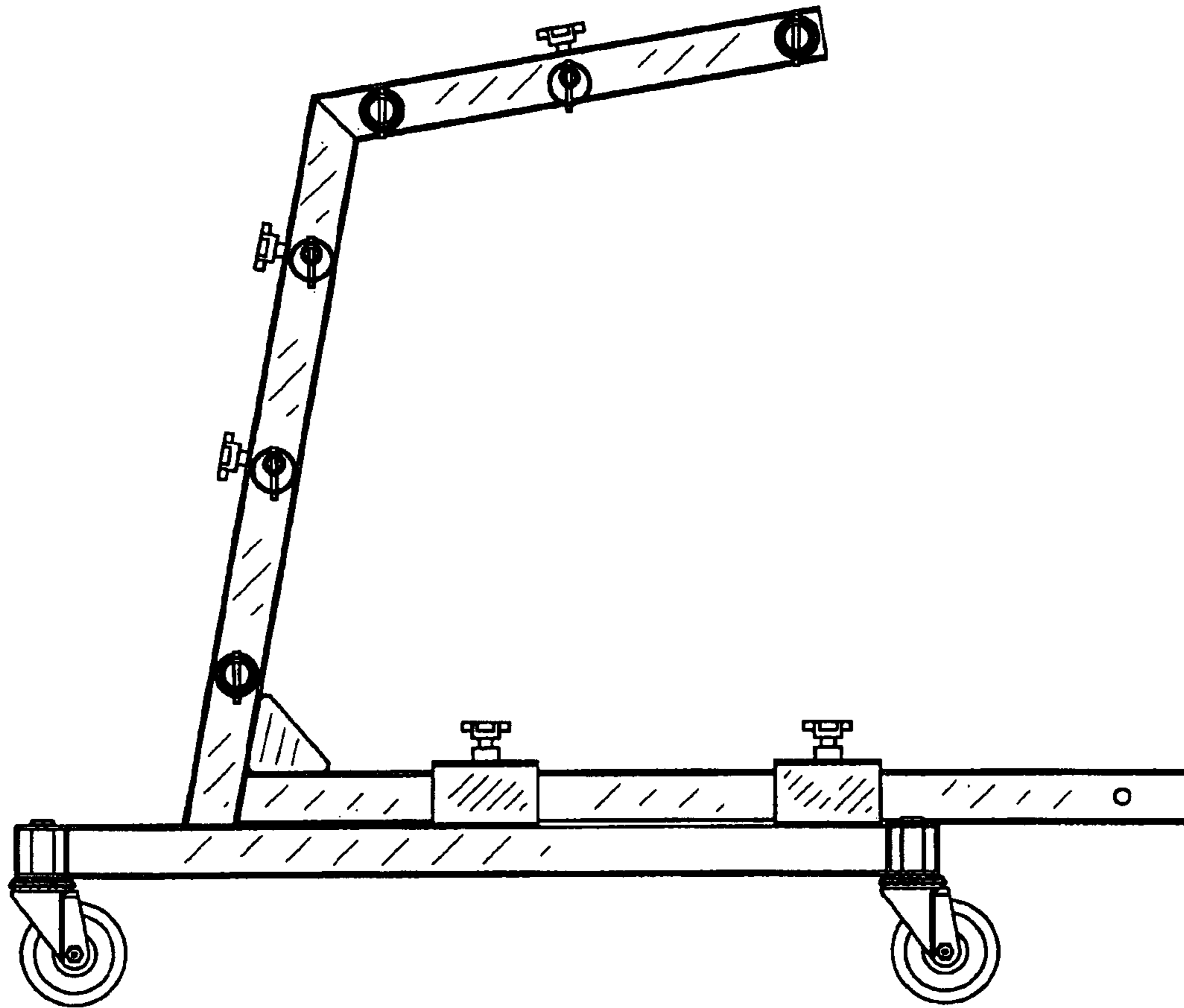


FIG. 4

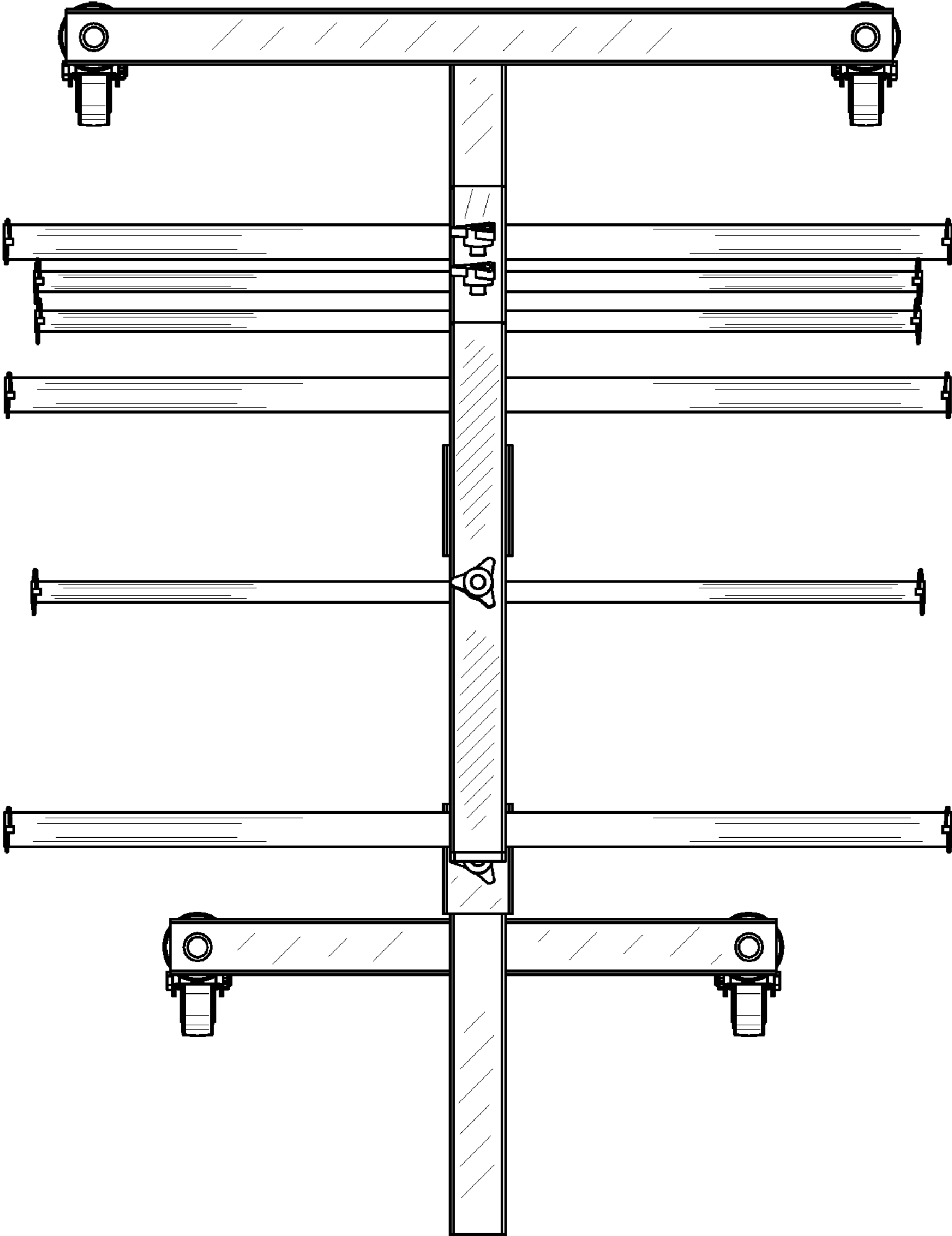


FIG. 5

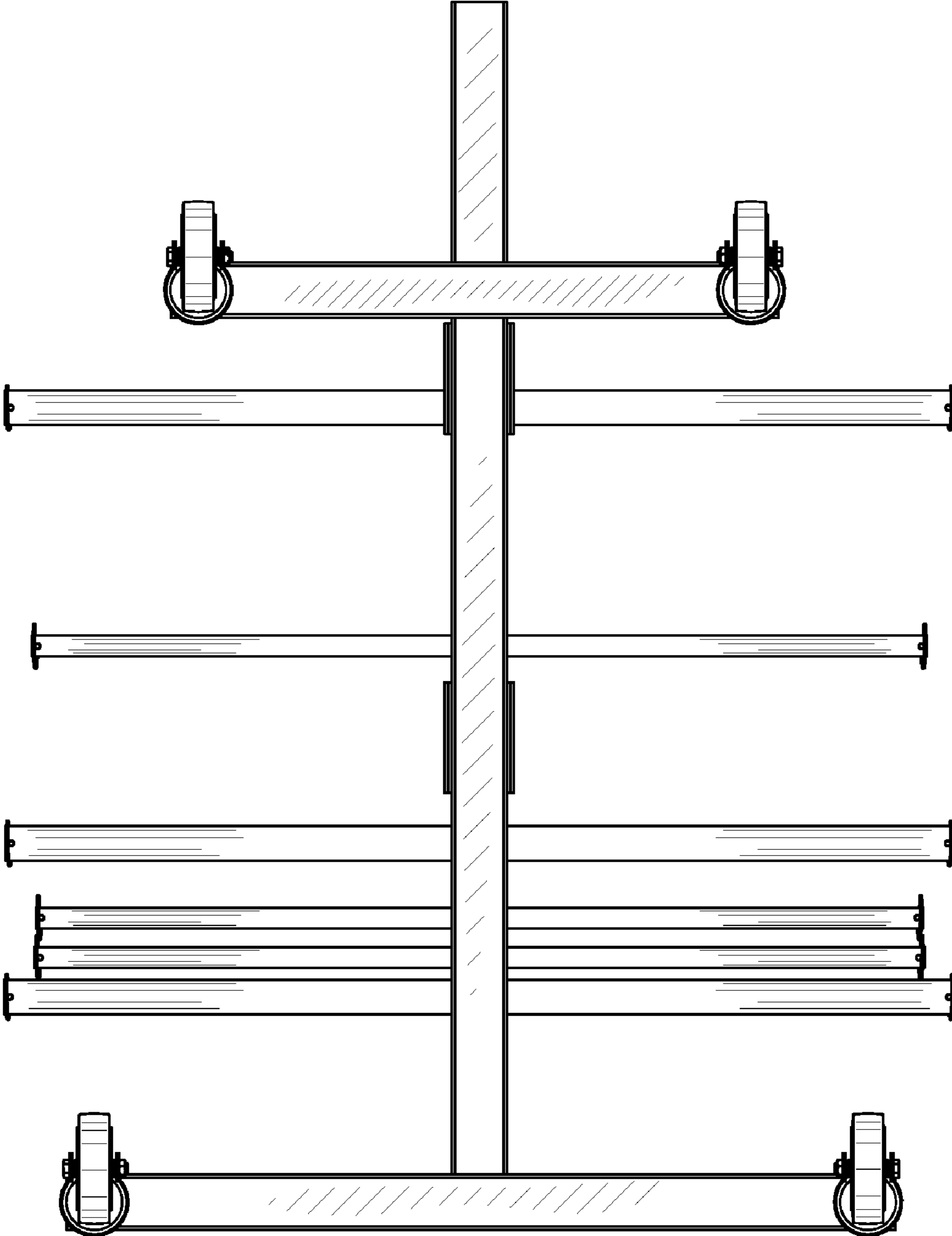


FIG. 6

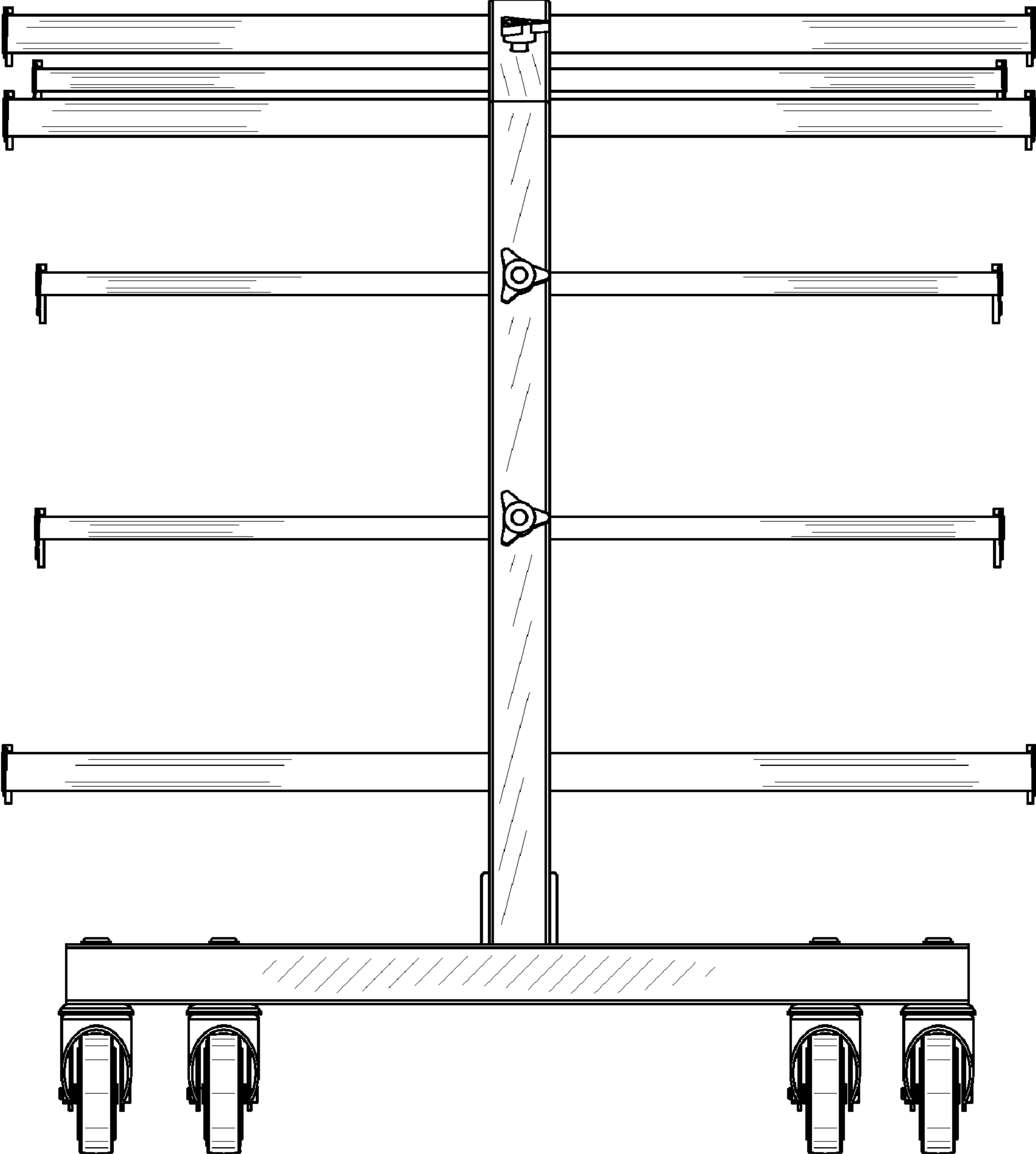


FIG. 7

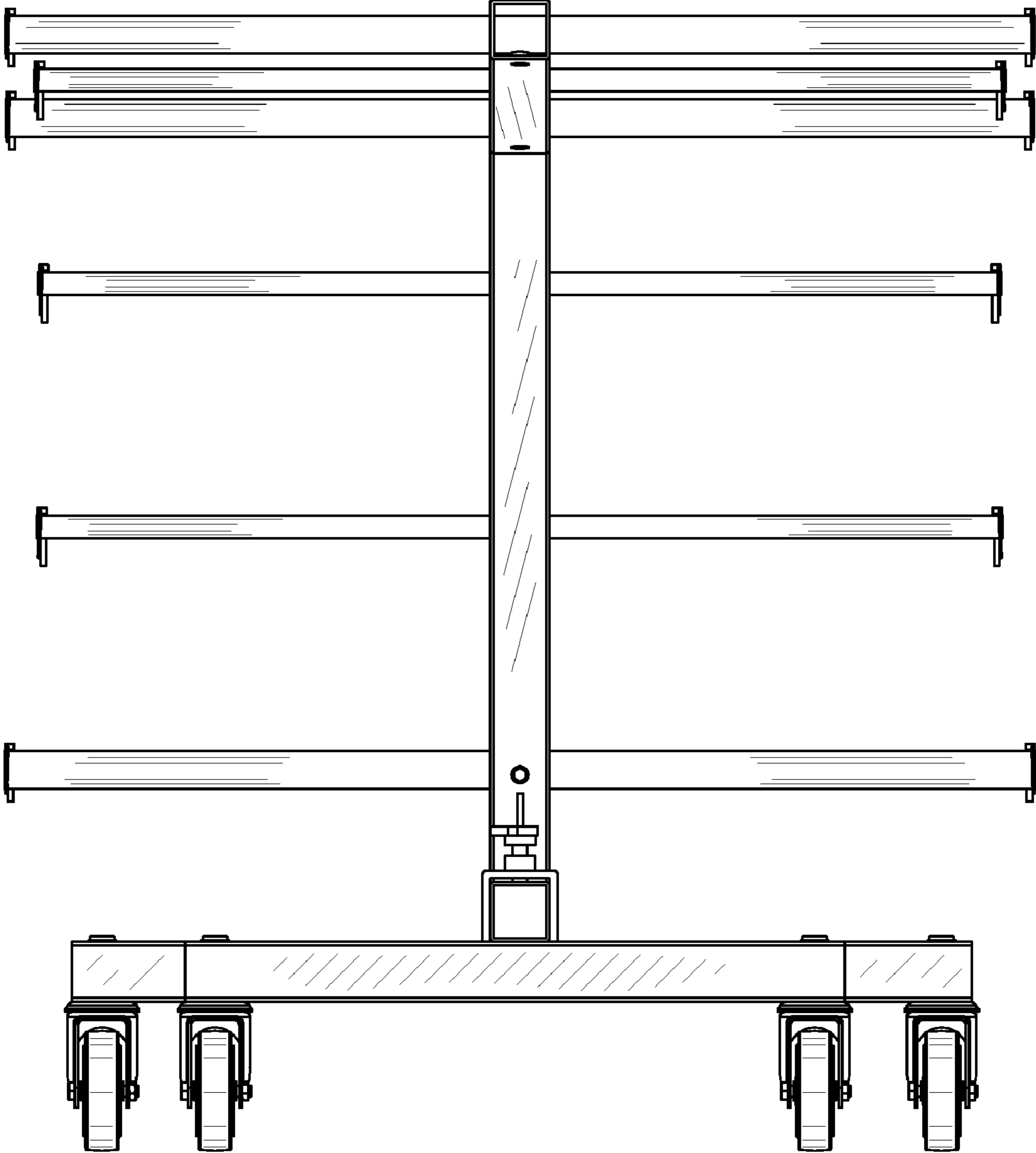


FIG. 8