



US00D584466S

(12) **United States Design Patent**
Elliott

(10) **Patent No.:** **US D584,466 S**

(45) **Date of Patent:** **** Jan. 6, 2009**

(54) **BOOT SCRUBBER**

(57) **CLAIM**

(76) **Inventor:** **Glendon M Elliott**, 211 Columbus Ave.,
Pawtucket, RI (US) 02861

I claim the ornamental design for a boot scrubber, as shown
and described.

(**) **Term:** **14 Years**

DESCRIPTION

(21) **Appl. No.:** **29/253,526**

FIG. 1 is a front perspective view of a boot scrubber showing
my new design;

(22) **Filed:** **Feb. 9, 2006**

FIG. 2 is a top plan view of FIG. 1;

(51) **LOC (9) Cl.** **08-99**

FIG. 3 is a bottom plan view of FIG. 1;

(52) **U.S. Cl.** **D32/47**

FIG. 4 is a front elevational view of FIG. 1;

(58) **Field of Classification Search** D32/35,

FIG. 5 is a rear elevational view of FIG. 1;

D32/44-47; D4/118-120, 130; D12/203;

FIG. 6 is a right side elevational view of FIG. 1;

D6/583, 592; D28/63; 15/161, 237, 110,

FIG. 7 is a left side elevational view of FIG. 1;

15/104.92, 112, 34, 36, 4

FIG. 8 is a front perspective view thereof, showing an alter-
native position of FIG. 1, wherein the right the side plate foot
rest is shown in an opened position;

See application file for complete search history.

FIG. 9 is a front perspective view similar to FIG. 8 and
illustrating a use made of the device;

(56) **References Cited**

U.S. PATENT DOCUMENTS

- D287,310 S * 12/1986 Miller D4/119
- D369,887 S * 5/1996 Mendis D32/47
- D372,569 S * 8/1996 Rook D32/47
- D439,714 S * 3/2001 Meshbeshher D32/47
- D455,867 S * 4/2002 Pratt D28/63
- D464,776 S * 10/2002 Meshbeshher D32/47

FIG. 10 is a front perspective view of a second embodiment of
a boot scrubber, showing my new design;

FIG. 11 is a top plan view of FIG. 10;

FIG. 12 is a bottom plan view of FIG. 10;

FIG. 13 is a front elevational view of FIG. 10;

FIG. 14 is a rear elevational view of FIG. 10;

FIG. 15 is a right side elevational view of FIG. 10; and,

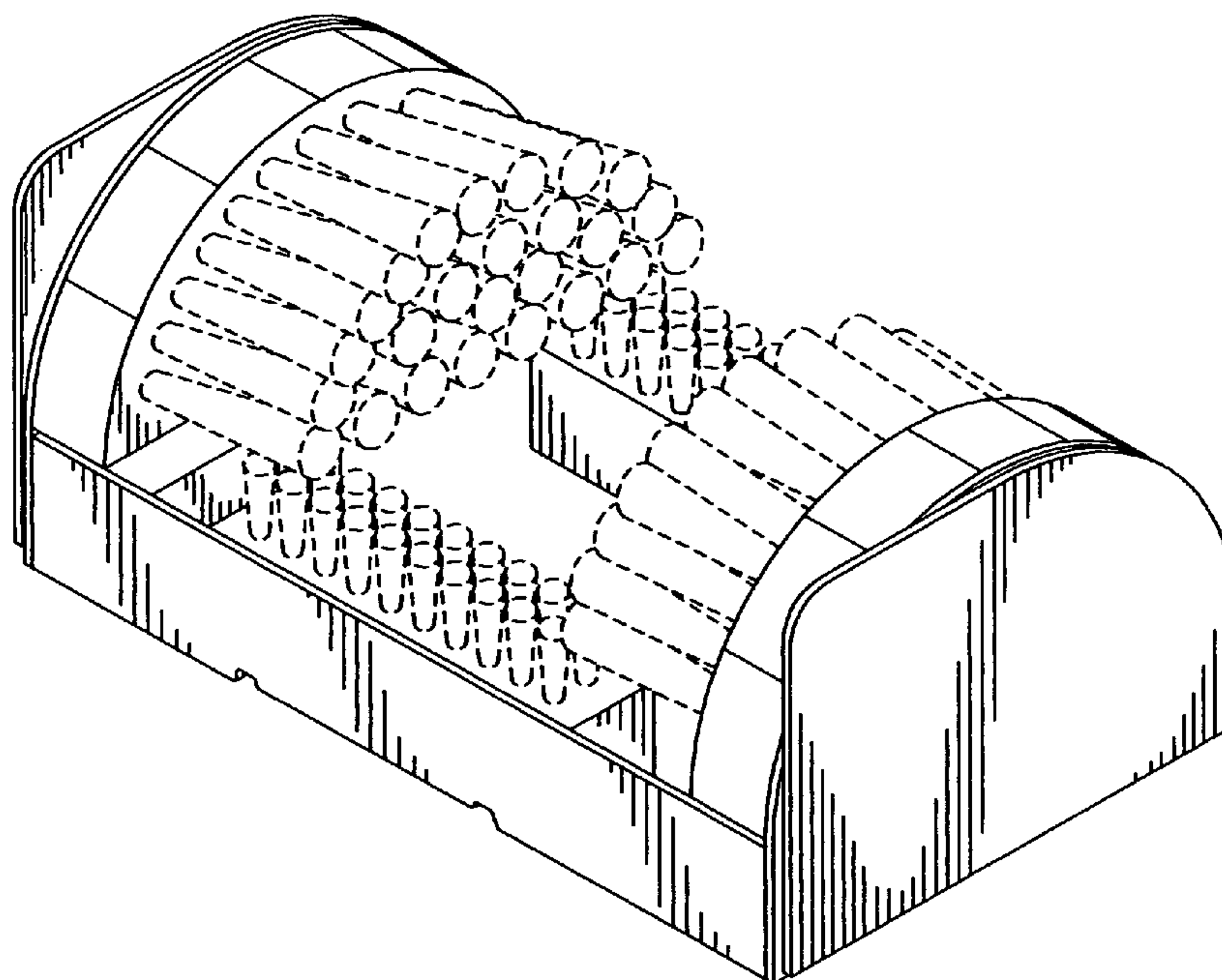
FIG. 16 is a left side elevational view of FIG. 10.

* cited by examiner

The broken lines shown in the drawings are for illustrative
purposes only and form no part of the claimed design.

Primary Examiner—Pamela J Burgess
(74) *Attorney, Agent, or Firm*—Robert J Doherty

1 Claim, 10 Drawing Sheets



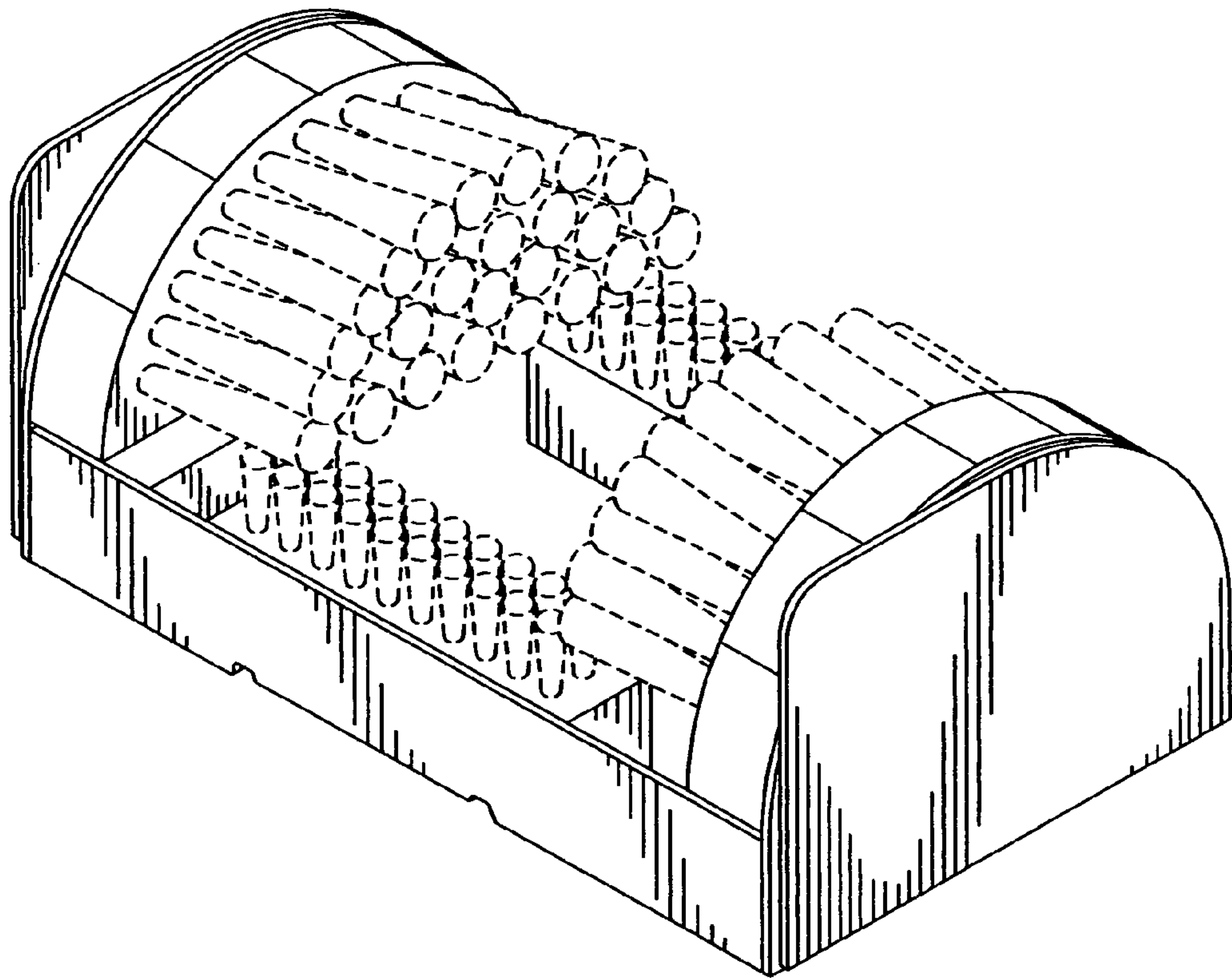


FIG. 1

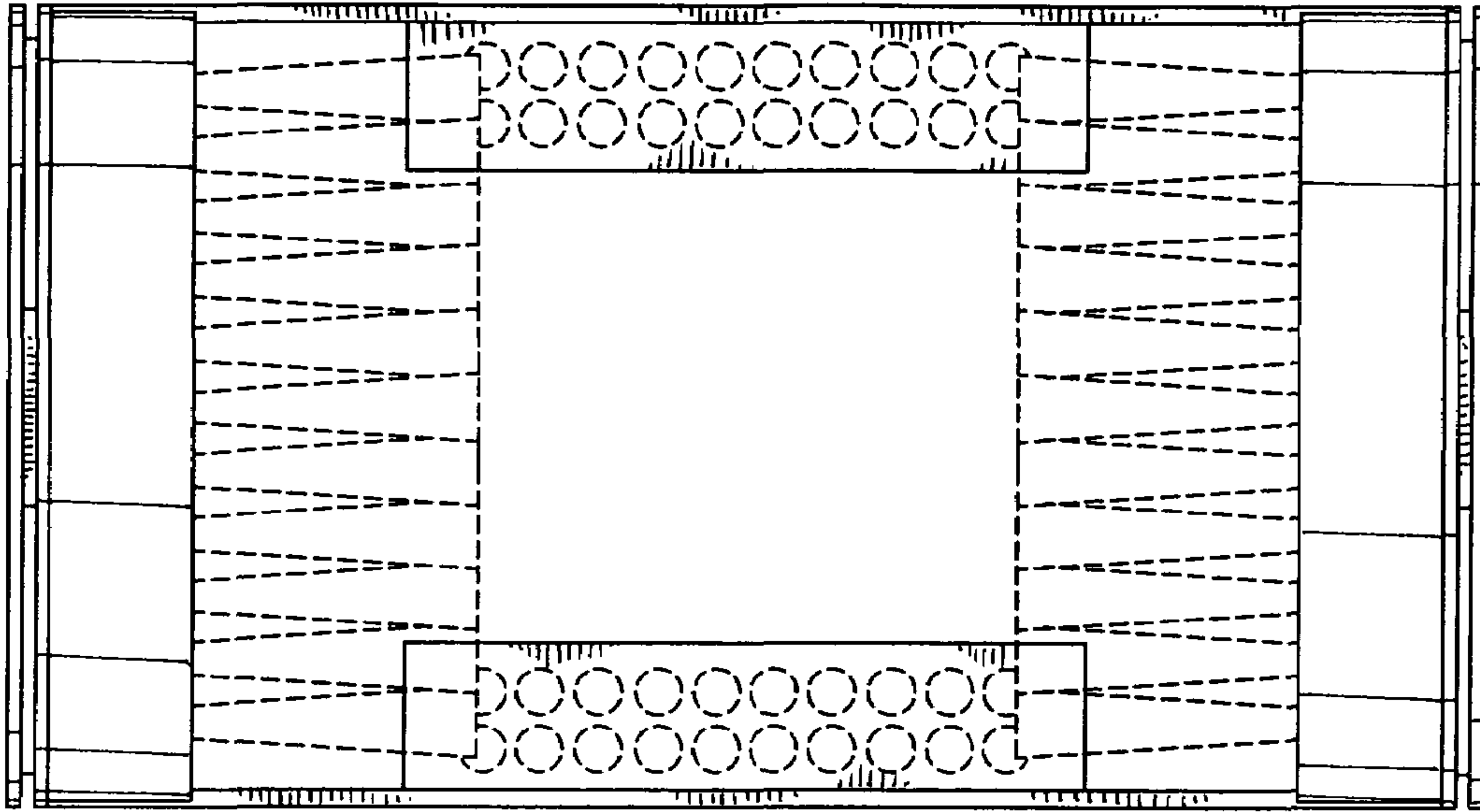


FIG. 2

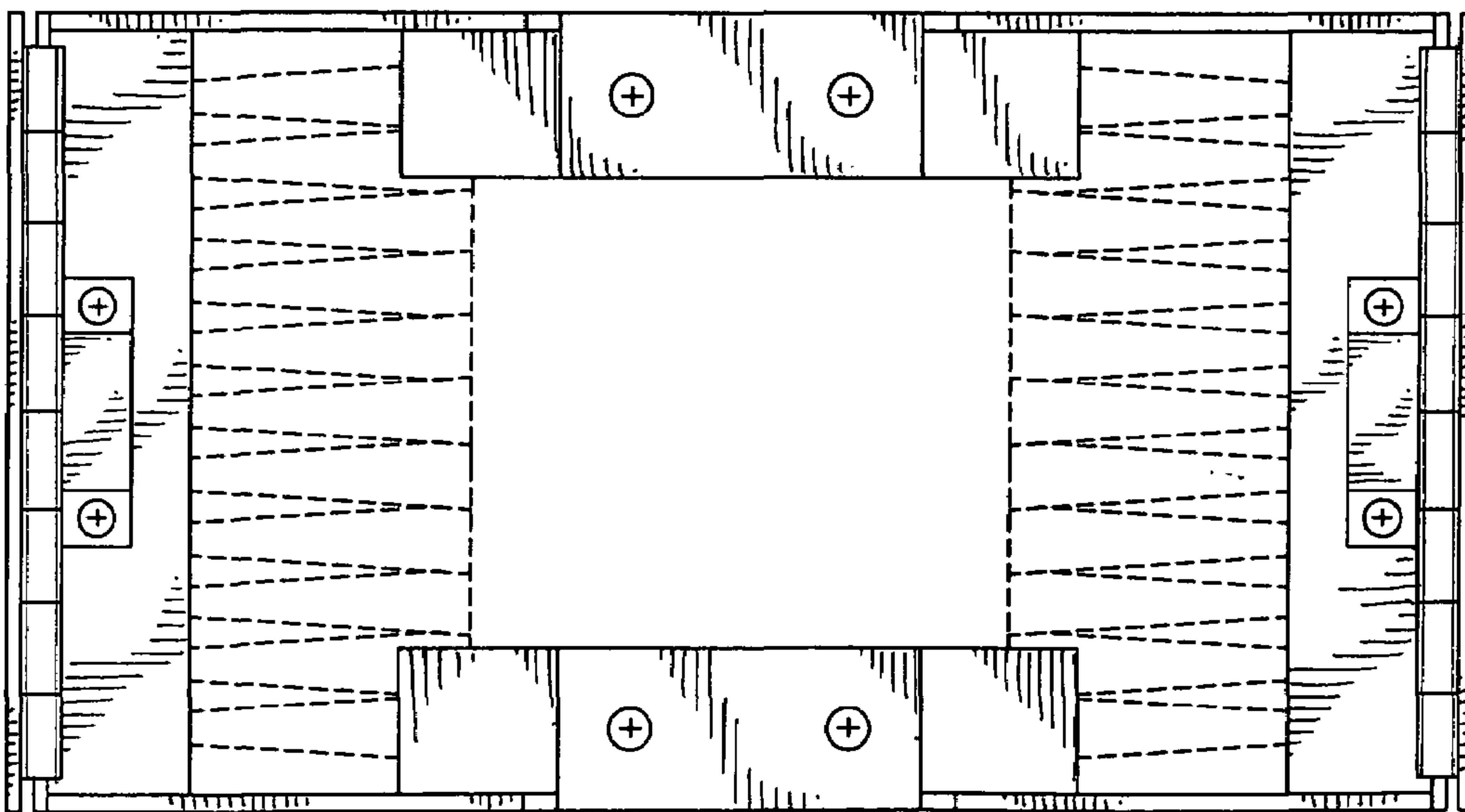


FIG. 3

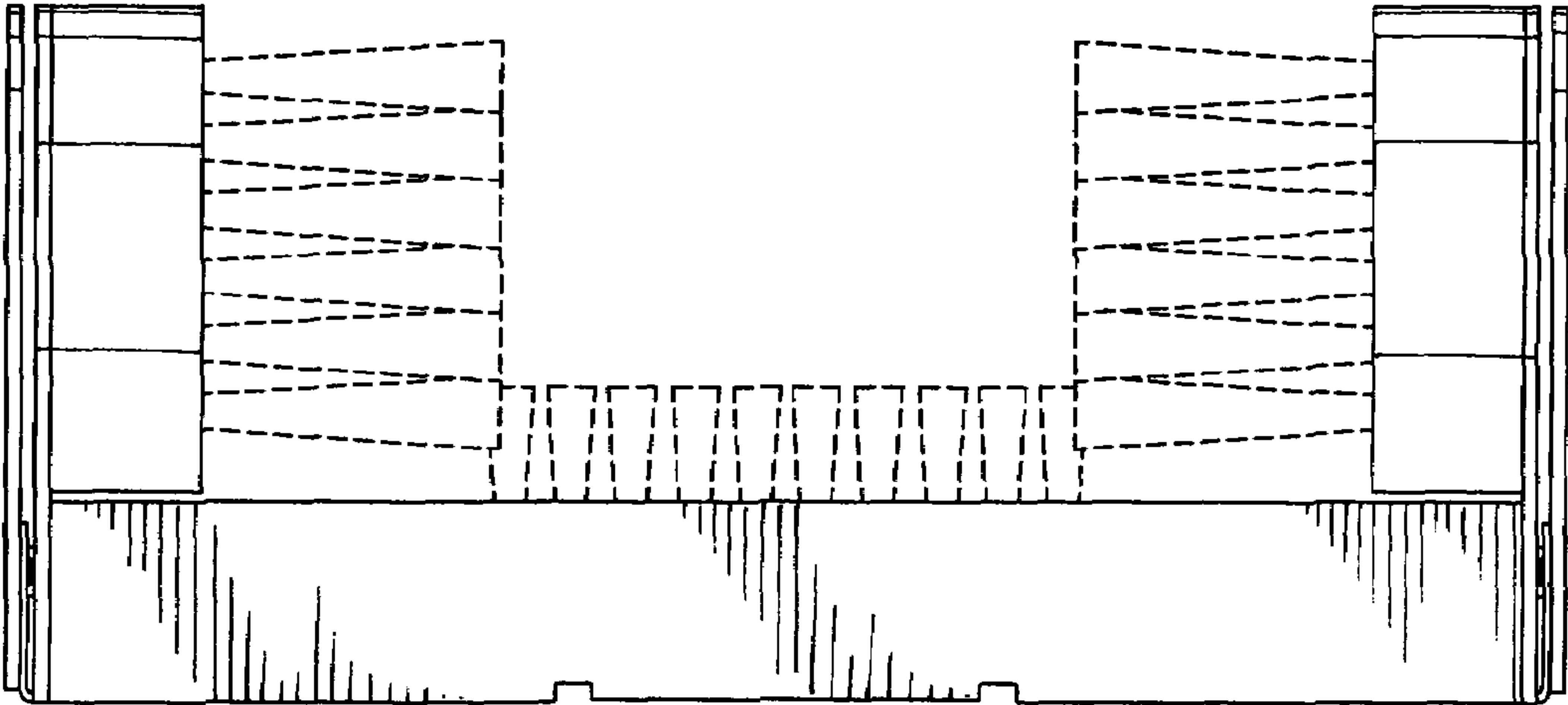


FIG. 4

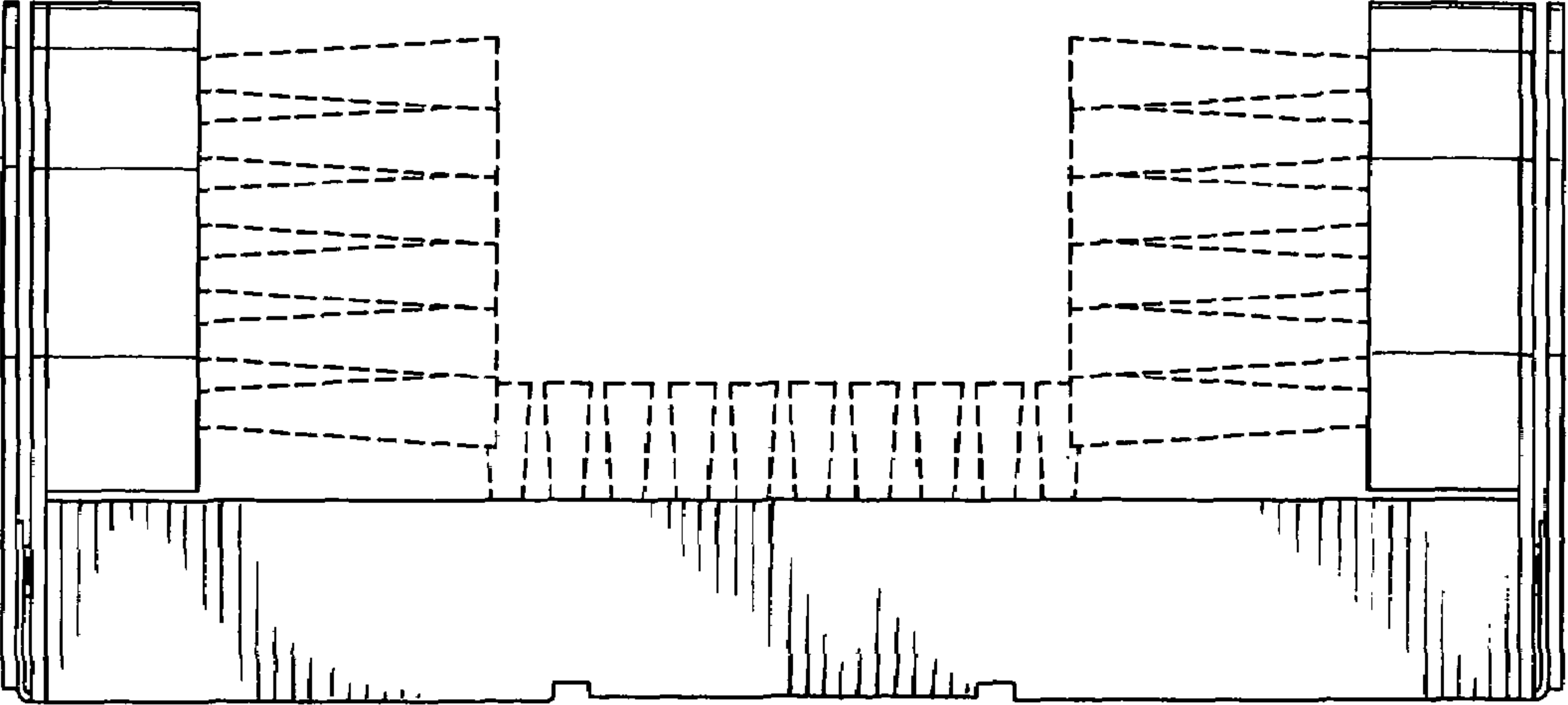


FIG. 5

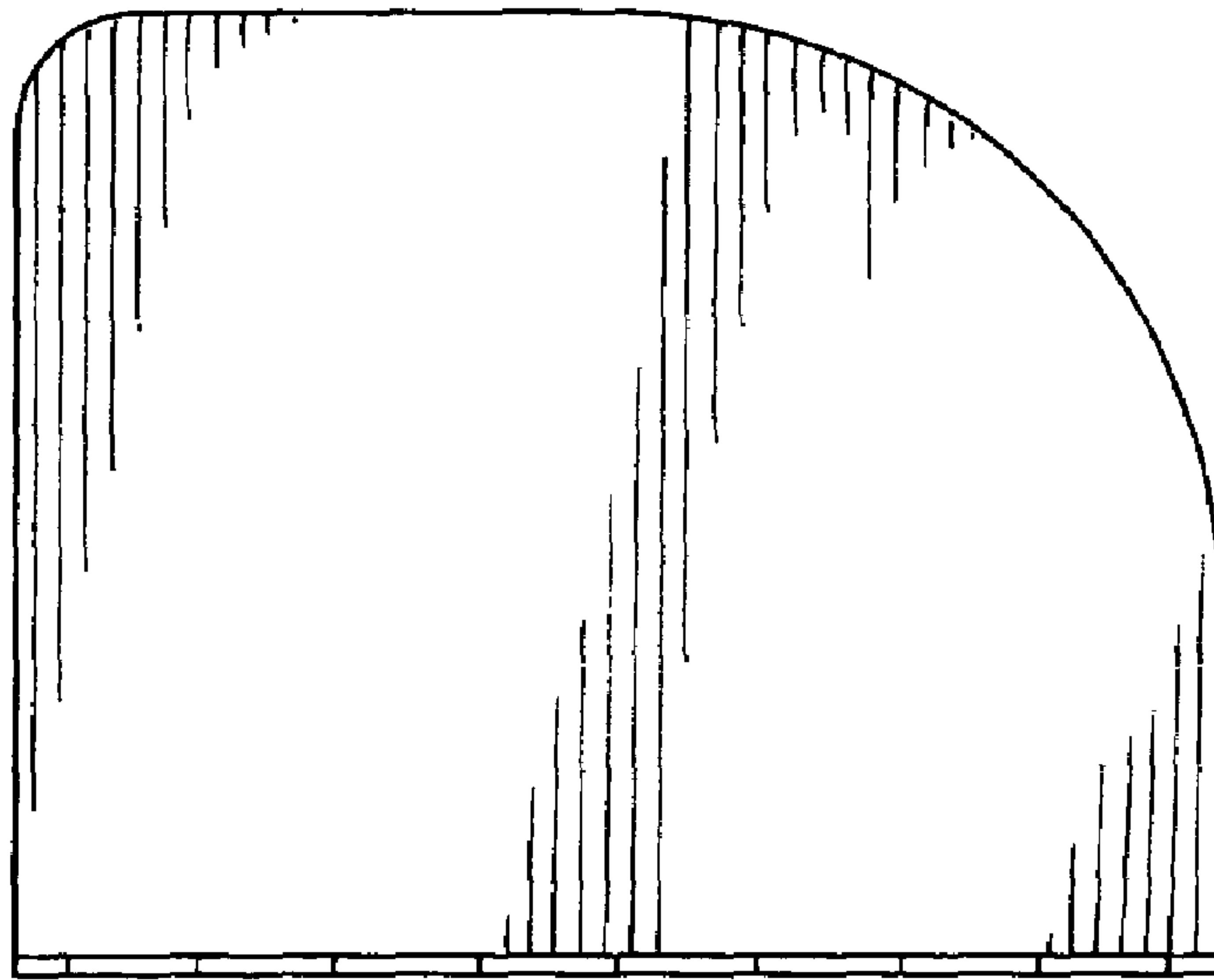


FIG. 6

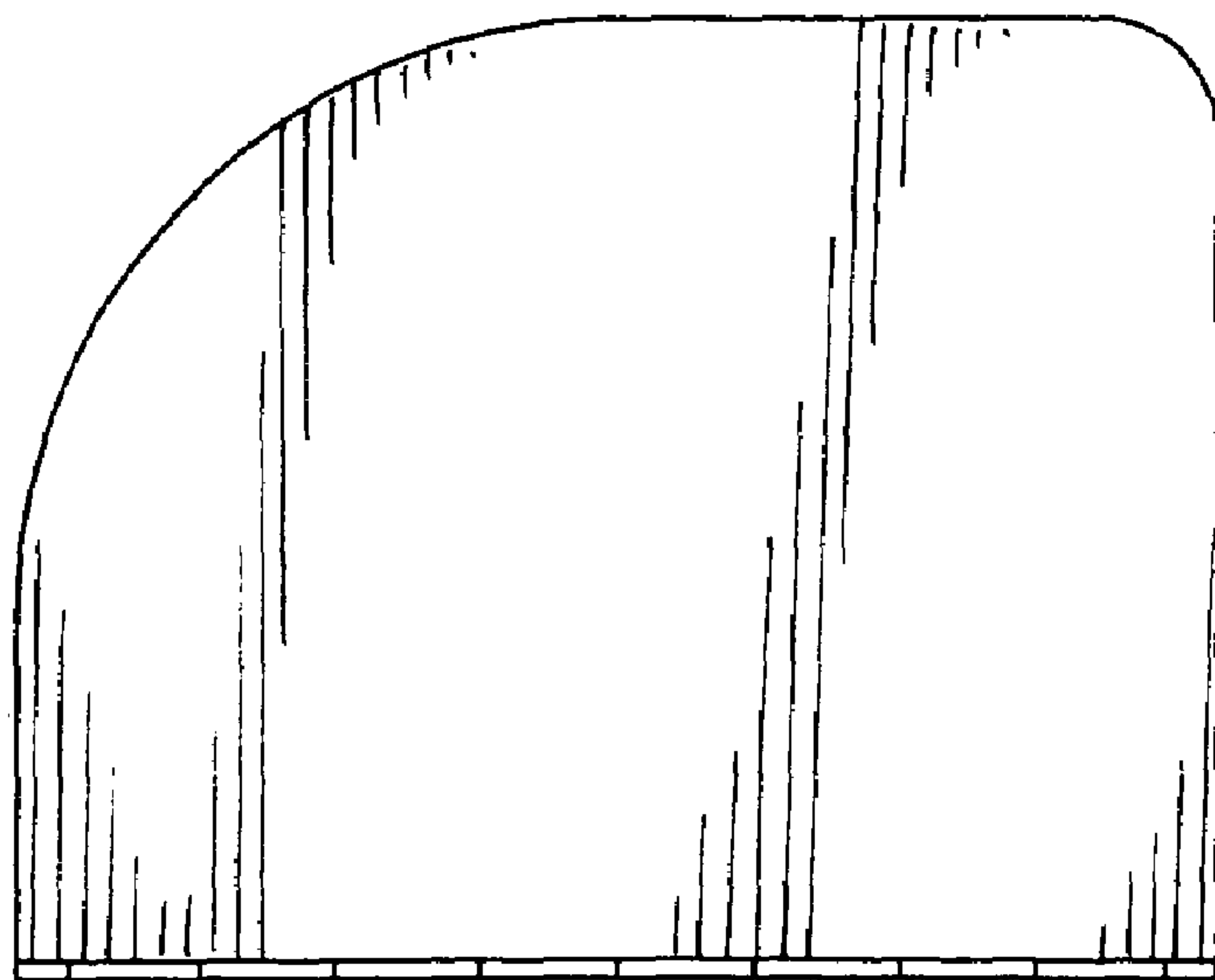


FIG. 7

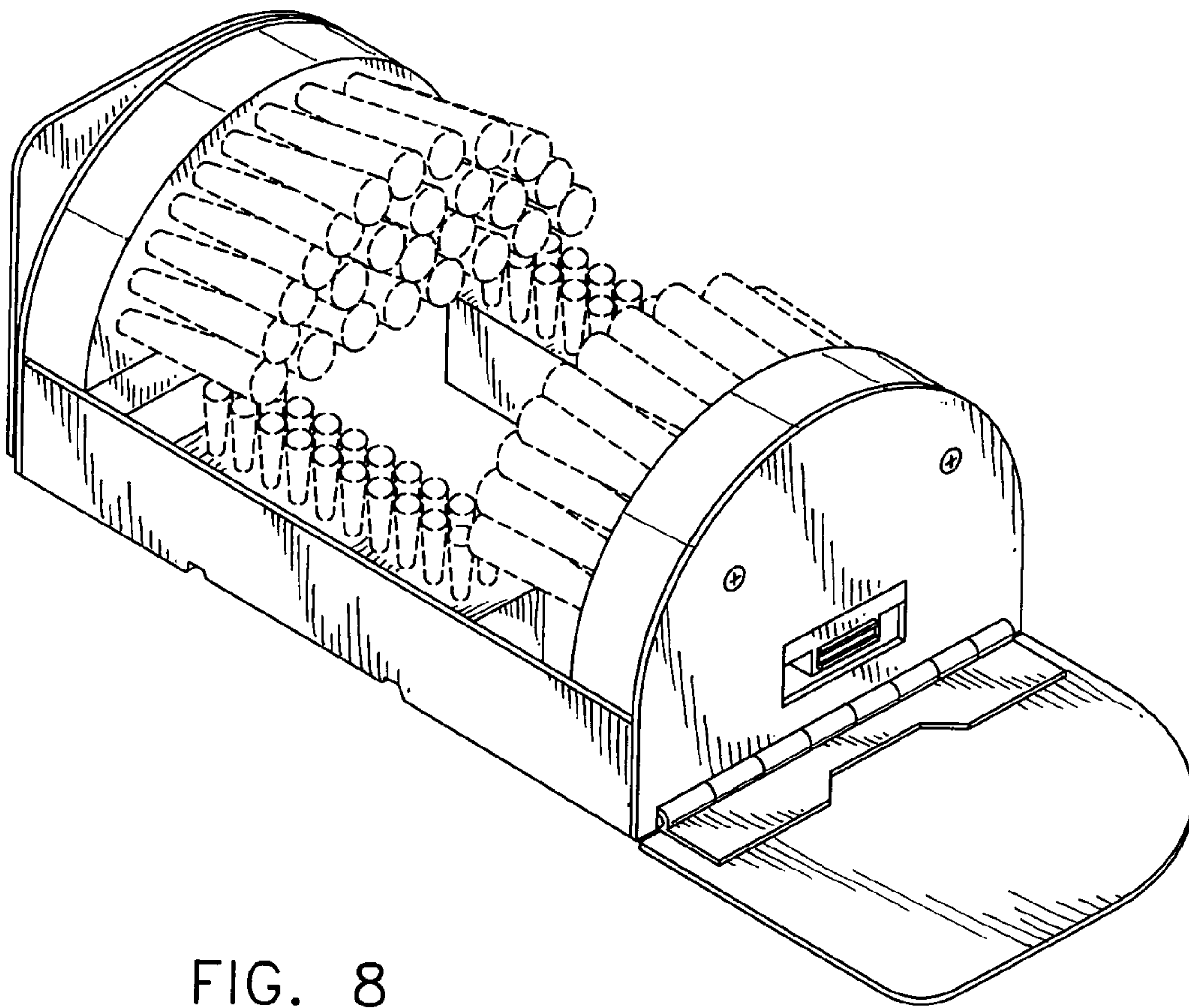


FIG. 8

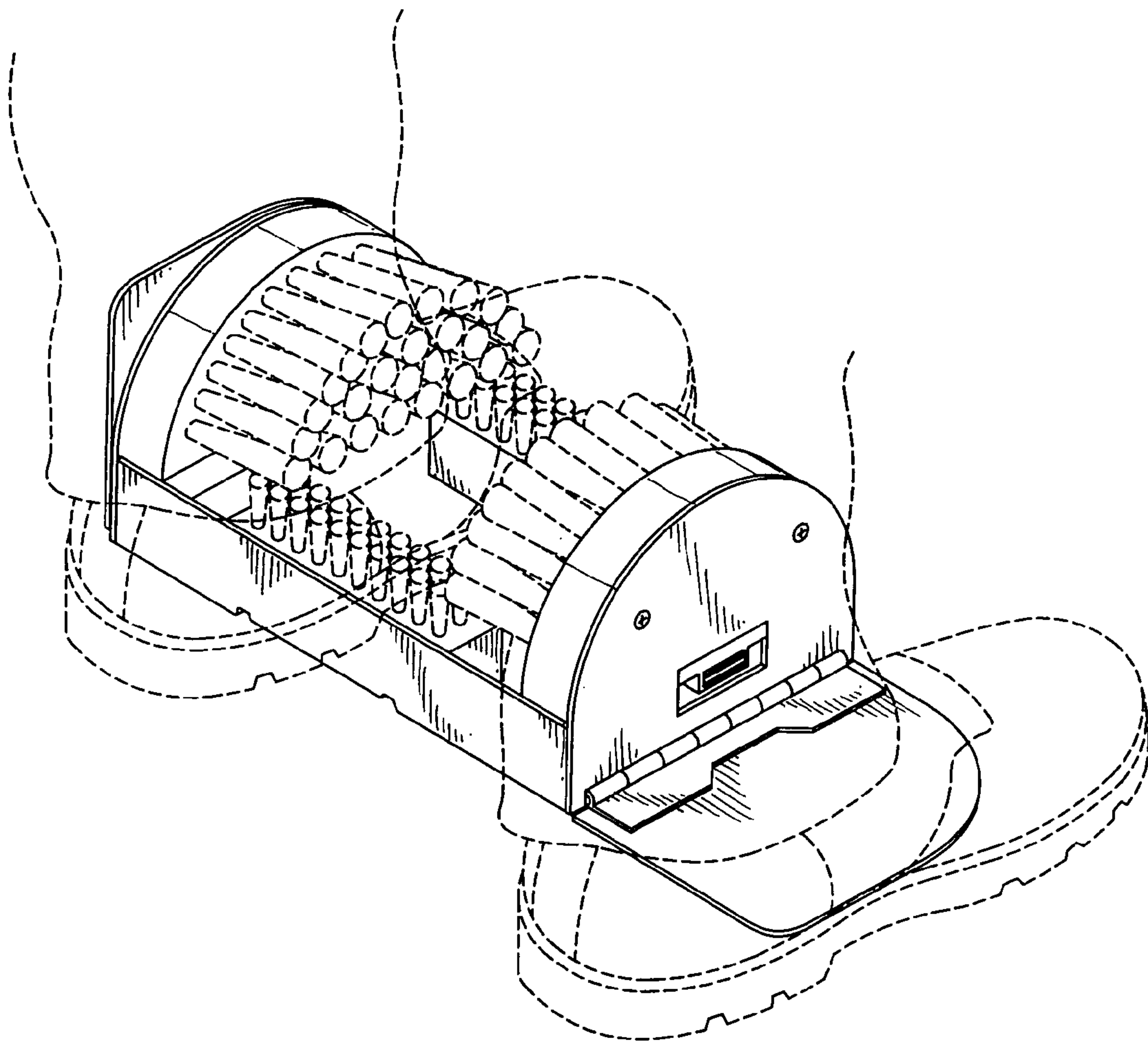


FIG. 9

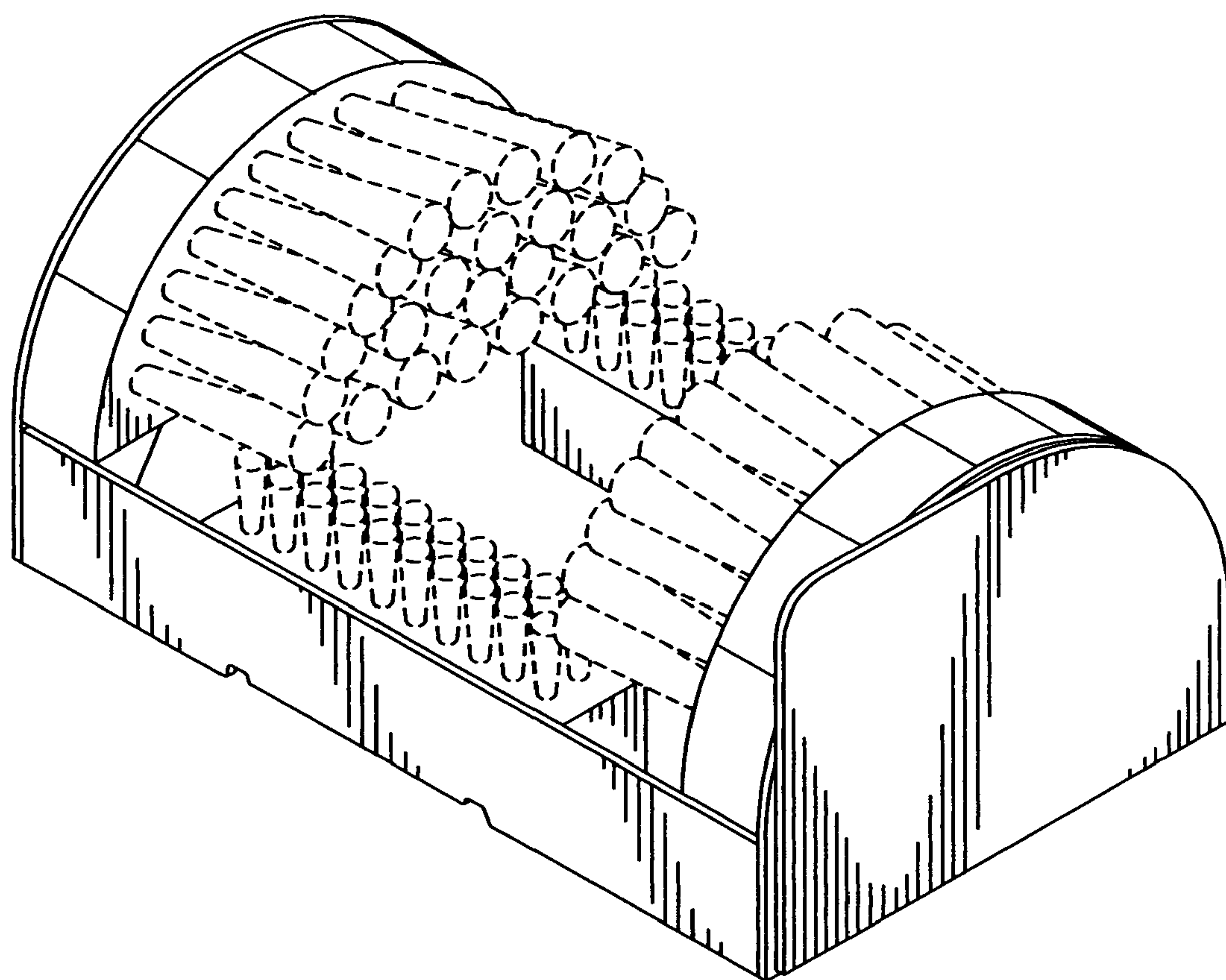


FIG. 10

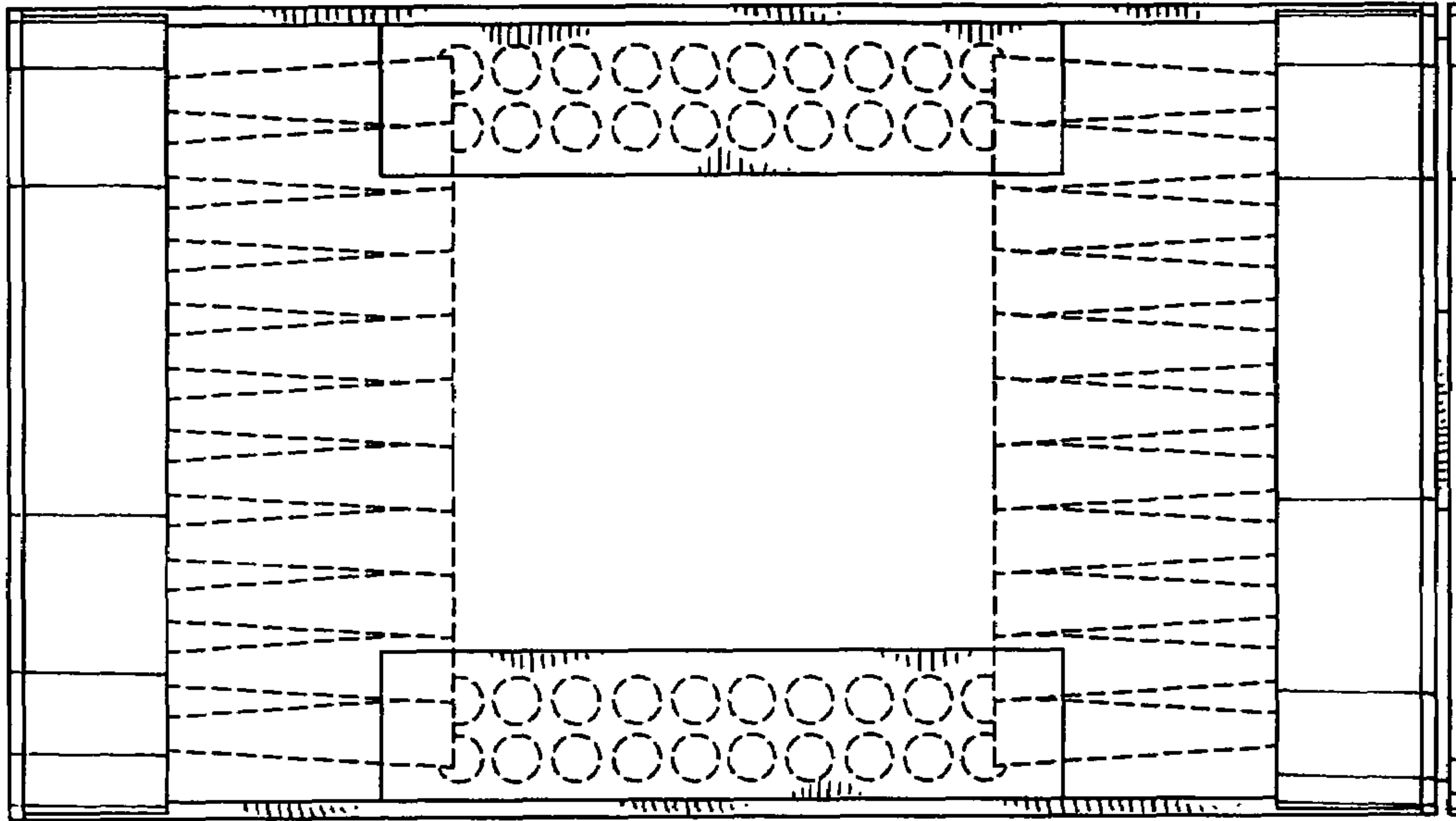


FIG. 11

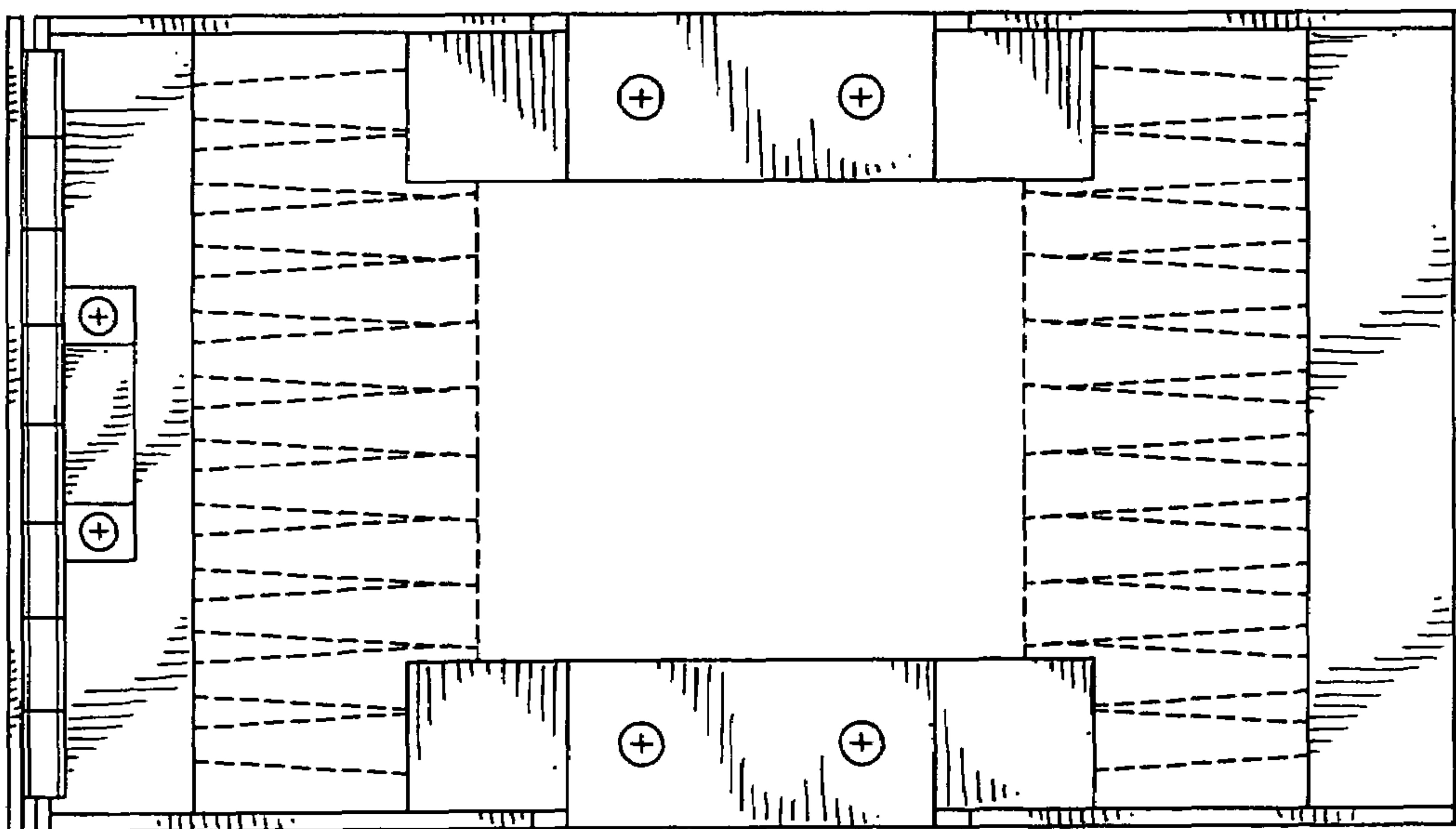


FIG. 12

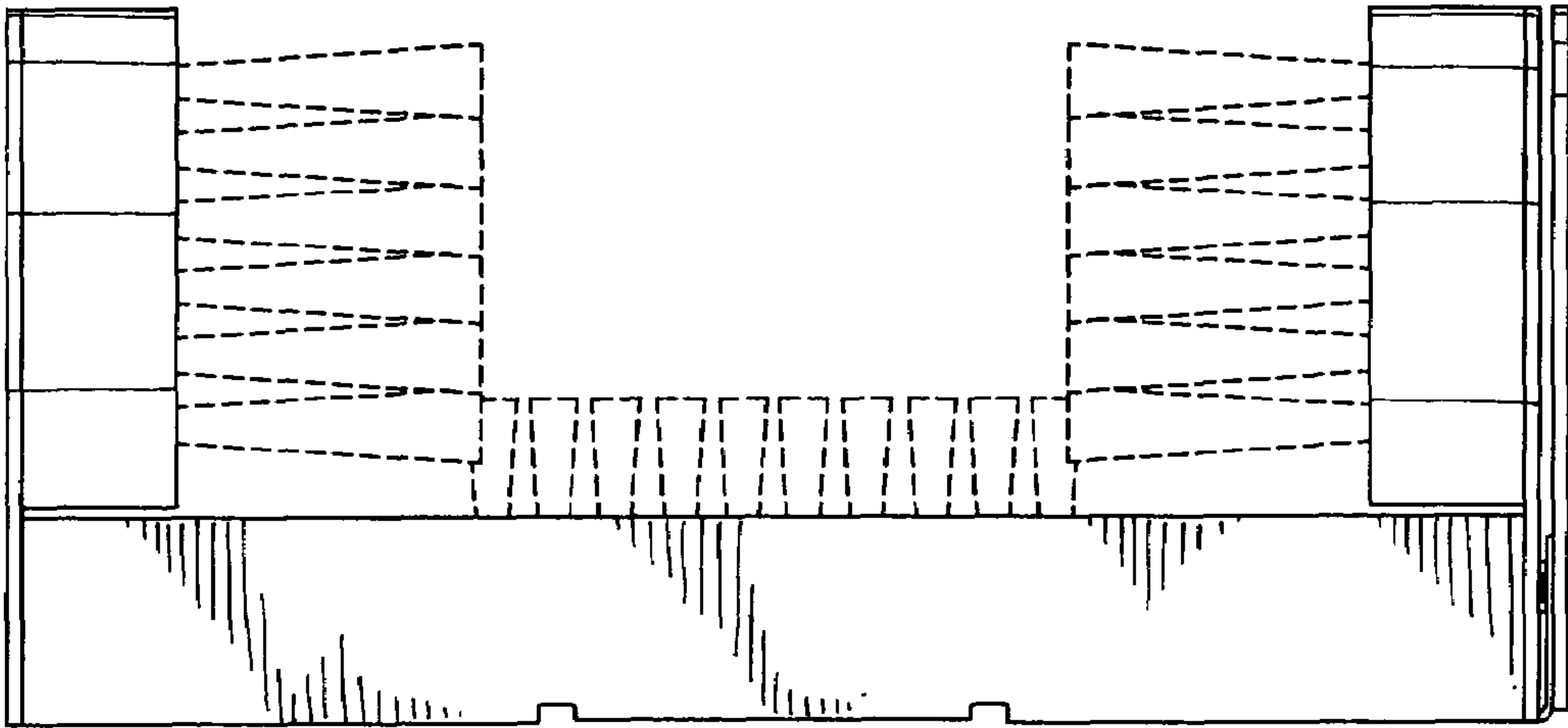


FIG. 13

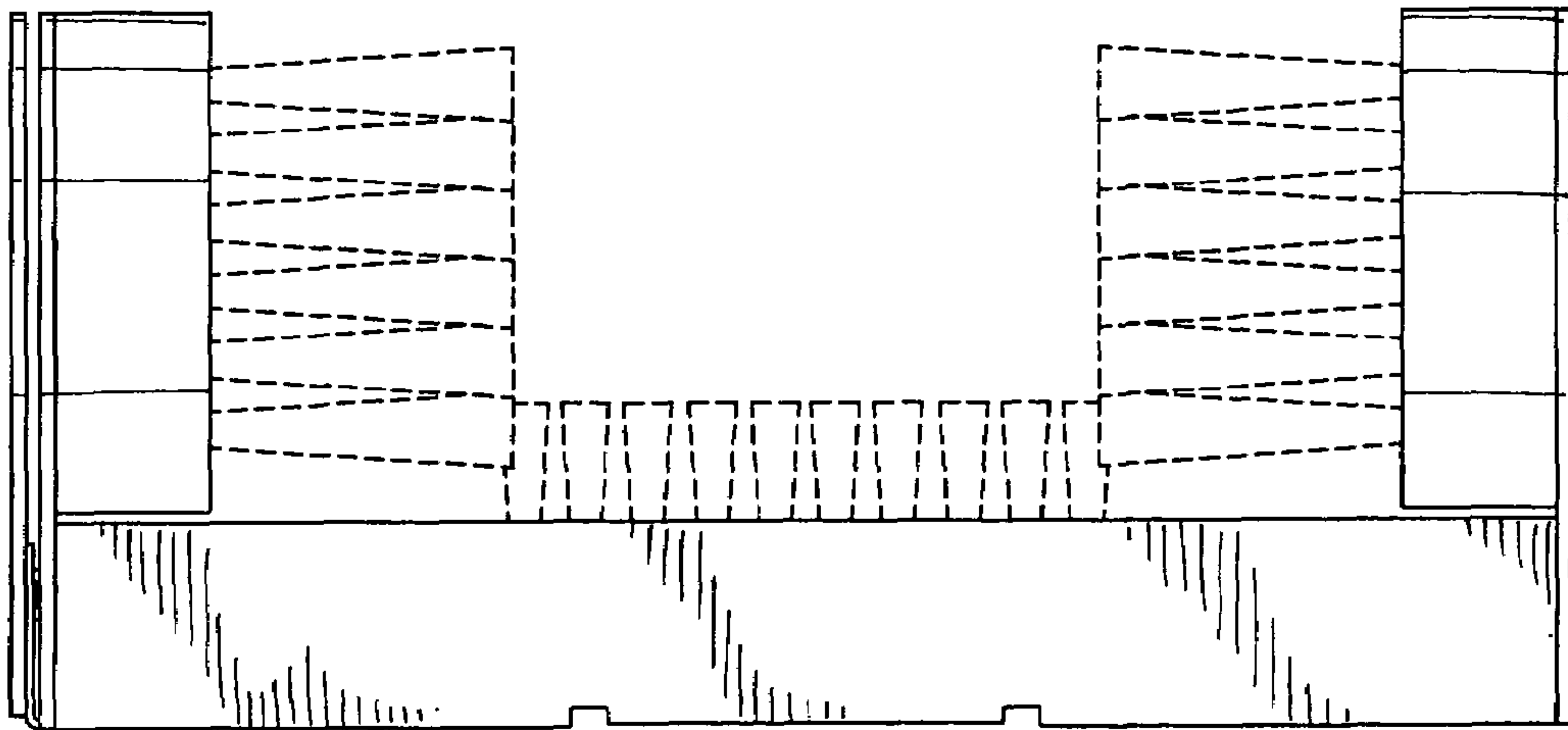


FIG. 14

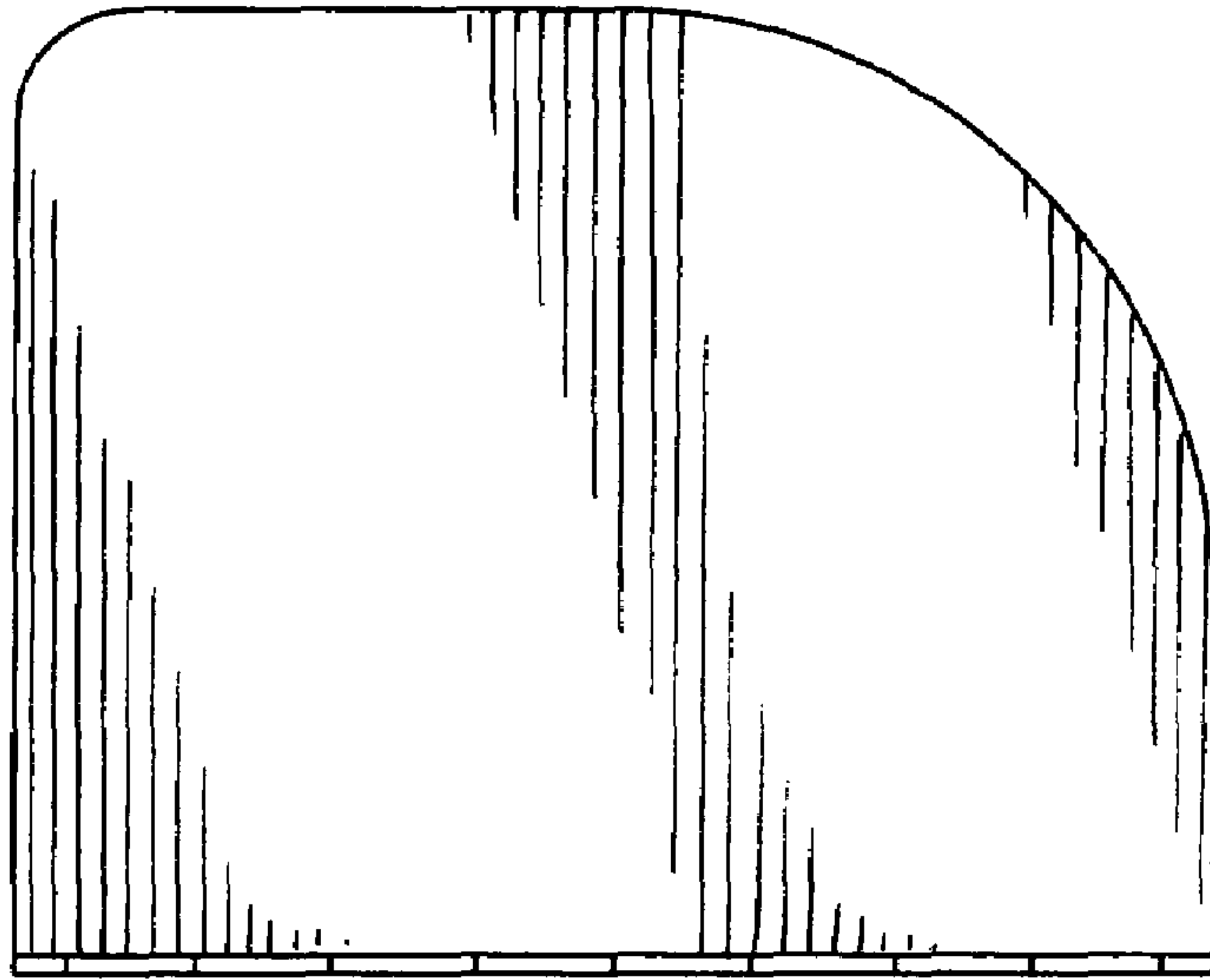


FIG. 15

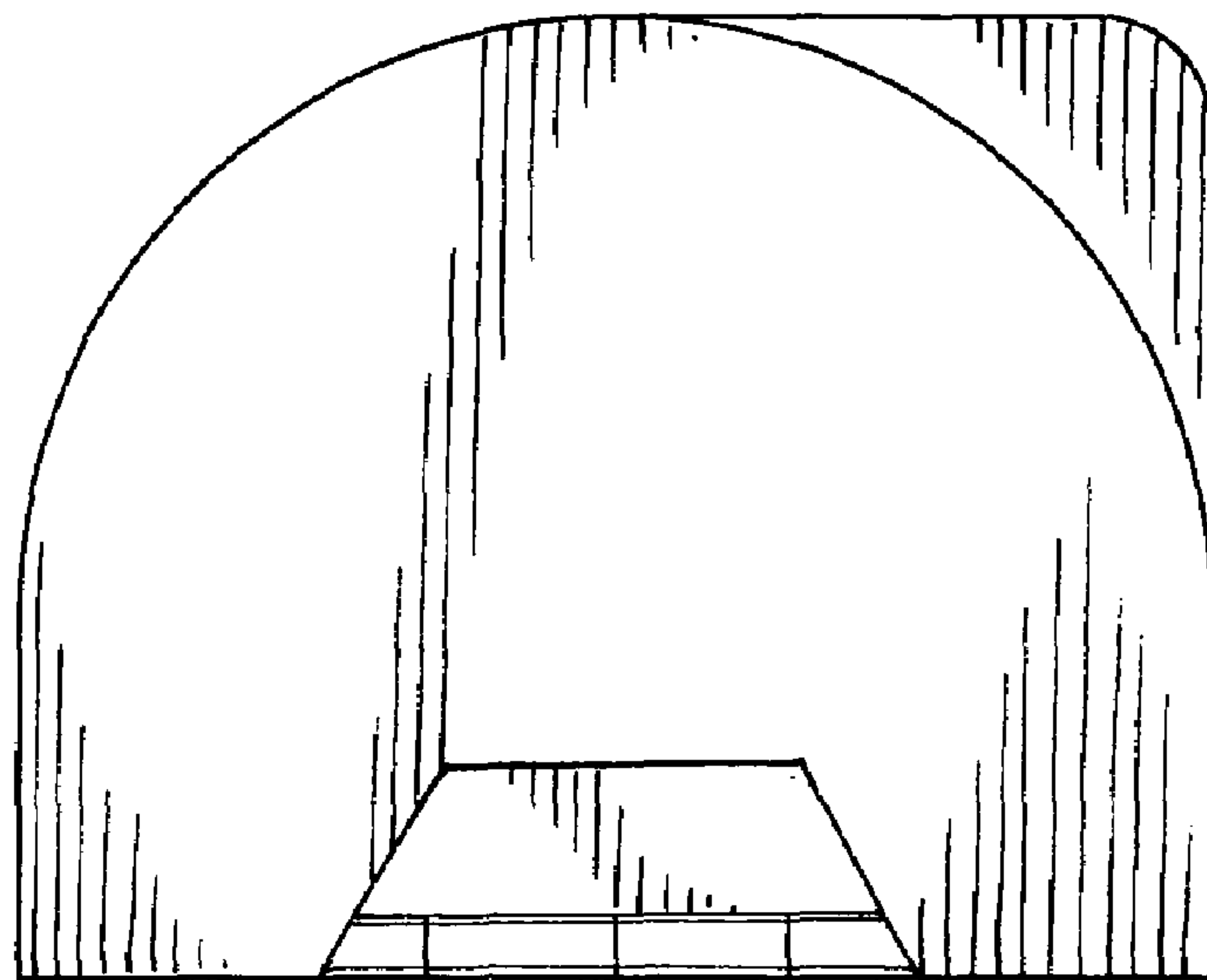


FIG. 16