



US00D584465S

(12) **United States Design Patent**
Zach et al.

(10) **Patent No.:** **US D584,465 S**
(45) **Date of Patent:** **** Jan. 6, 2009**

(54) **BLADE REFILL**

(75) Inventors: **Steven A. Zach**, Racine, WI (US); **Jose de Jesus Castillo Higareda**, Racine, WI (US); **Jason C. Billig**, Mount Vernon, NY (US)

(73) Assignee: **S.C. Johnson & Son, Inc.**, Racine, WI (US)

(**) Term: **14 Years**

(21) Appl. No.: **29/286,613**

(22) Filed: **May 14, 2007**

(51) **LOC (9) Cl.** **04-01**

(52) **U.S. Cl.** **D32/45; D32/35**

(58) **Field of Classification Search** D32/40-45, D32/46, 49, 35; 15/121, 245, 245.1, 143.1, 15/236.01, 250.03; D25/119; D34/29
See application file for complete search history.

(56) **References Cited**

U.S. PATENT DOCUMENTS

D251,855 S * 5/1979 Schindele D25/119
D331,631 S * 12/1992 Leith D25/119
D332,315 S * 1/1993 Weinerman D25/119

6,668,418 B2 12/2003 Bastien
D524,454 S * 7/2006 Zarb D25/119
D548,907 S * 8/2007 Killen D32/41

* cited by examiner

Primary Examiner—Robin V Webster

(57) **CLAIM**

The ornamental design for a blade refill, as shown and described.

DESCRIPTION

In a preferred embodiment the nature of this product is as a blade refill, useful in connection with a cleaning device such as a hand-held window cleaning device having a squeegee blade, for delivering and collecting cleaning fluid.

FIG. 1 is a left, top, frontal perspective view of a blade refill embodying our new design;

FIG. 2 is a left side view thereof, the right side view being a mirror image thereof;

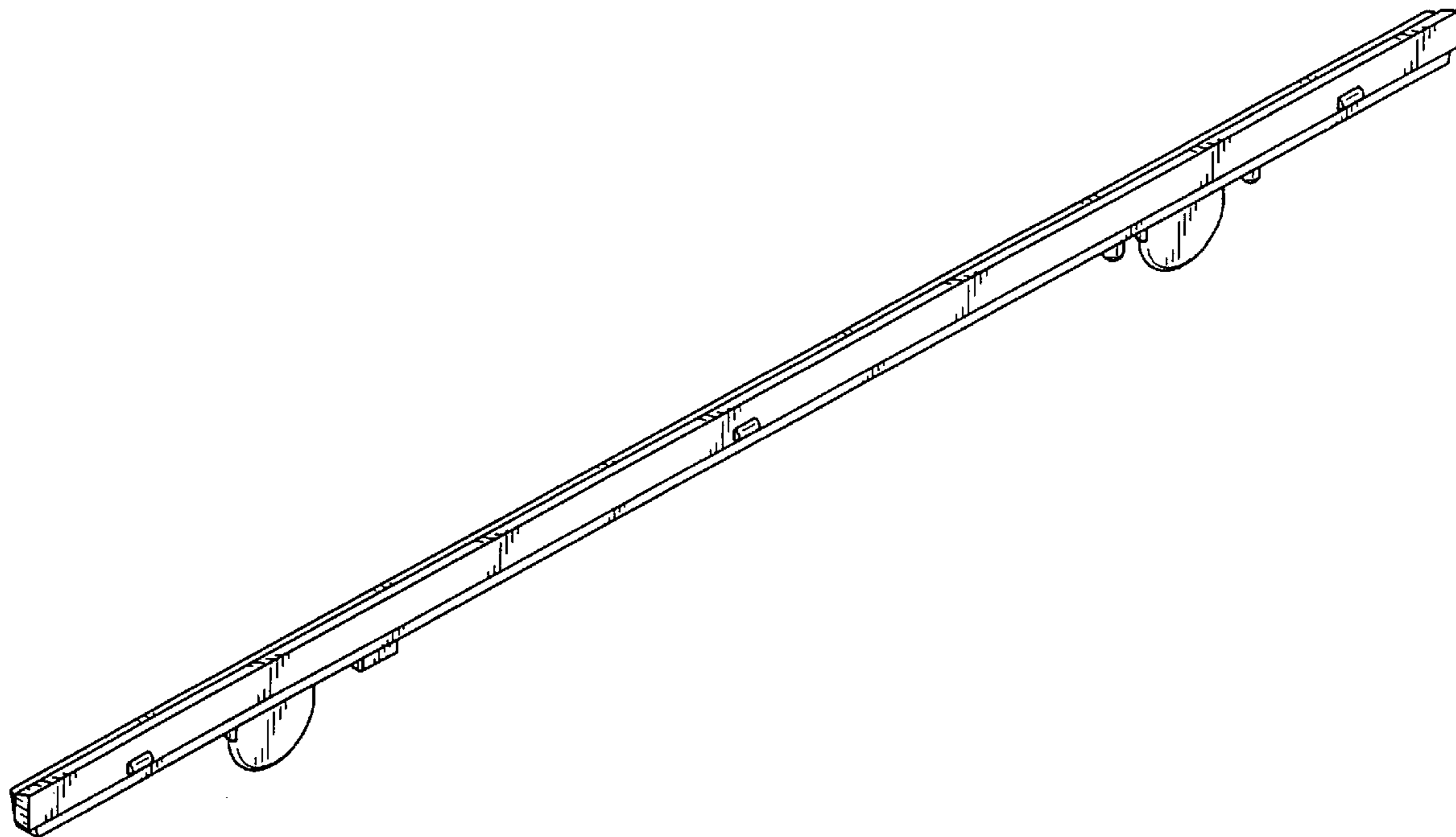
FIG. 3 is a front elevational view thereof;

FIG. 4 is a top plan view thereof;

FIG. 5 is an inverted rear elevational view thereof; and,

FIG. 6 is a bottom plan view thereof.

1 Claim, 2 Drawing Sheets



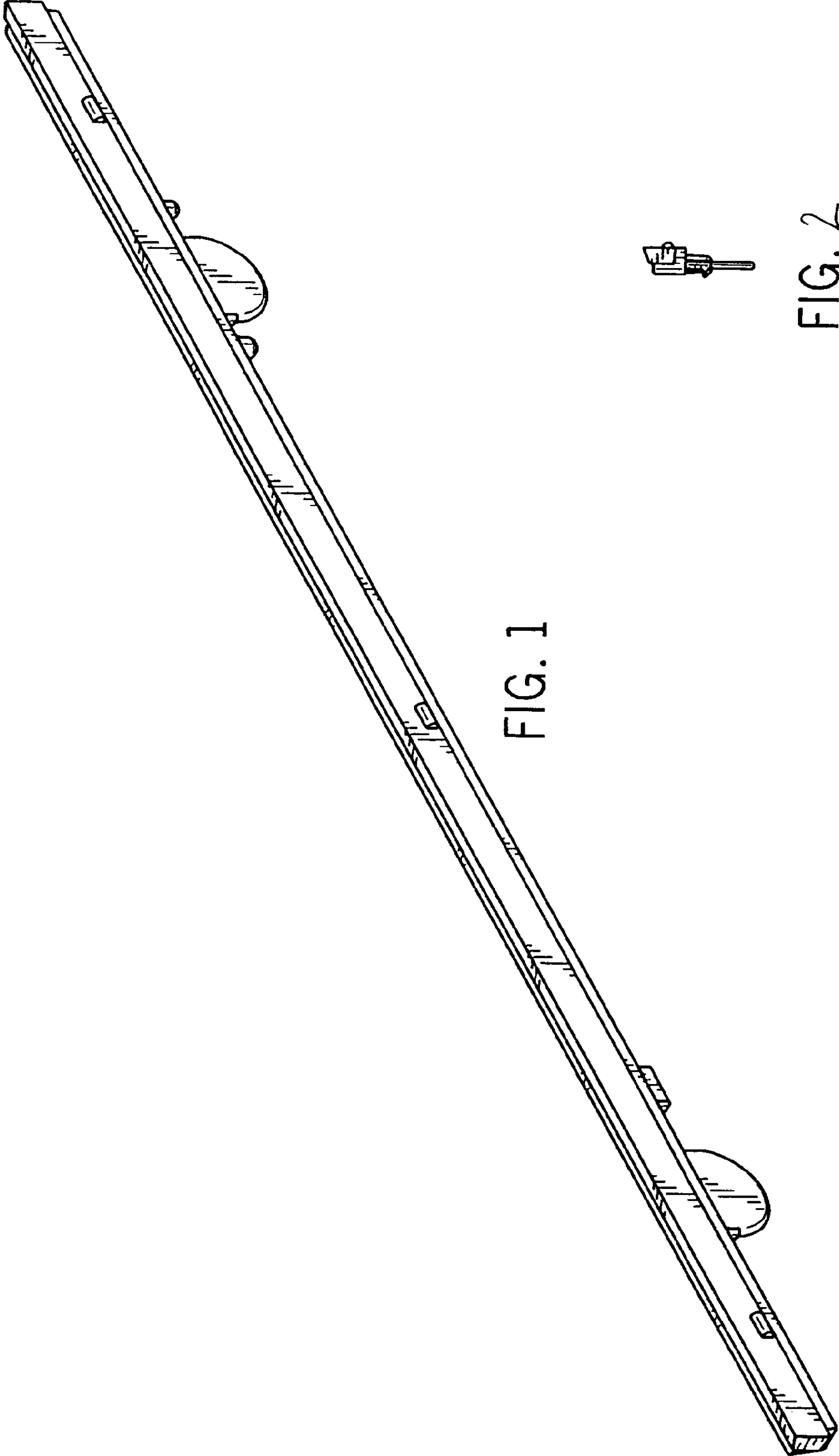


FIG. 1

FIG. 2



FIG. 3



FIG. 4



FIG. 5



FIG. 6