



US00D584463S

(12) **United States Design Patent**  
**Jansson et al.**

(10) **Patent No.:** **US D584,463 S**  
(45) **Date of Patent:** **\*\* Jan. 6, 2009**

(54) **VACUUM CLEANER**

(75) Inventors: **Mattias Jansson**, Pornedone (IT);  
**Magnus Wennerstrom**, Enkoping (SE);  
**Artur Bartle**, Raaba (AT)

(73) Assignee: **Aktiebolaget Electrolux**, Stockholm  
(SE)

(\*\*) Term: **14 Years**

(21) Appl. No.: **29/296,193**

(22) Filed: **Oct. 16, 2007**

**Related U.S. Application Data**

(62) Division of application No. 29/248,051, filed on Jul.  
27, 2006, now Pat. No. Des. 559,482.

(51) **LOC (9) Cl.** ..... **15-05**

(52) **U.S. Cl.** ..... **D32/21**

(58) **Field of Classification Search** ..... D32/21,  
D32/23-24, 31; 15/257.01, 301, 315, 319-321,  
15/323, 327.1-327.4, 327.6-327.7, 329,  
15/336, 347, 352-353, 412; 55/337, 429,  
55/345; 95/271; 210/512.1, 512.2; 211/87.01,  
211/13.1; 700/245

See application file for complete search history.

(56) **References Cited**

**U.S. PATENT DOCUMENTS**

D373,665 S 9/1996 Nakamura et al.  
D398,093 S 9/1998 Fujima  
D430,711 S 9/2000 Piret

D494,328 S 8/2004 Otsuka et al.  
D530,466 S 10/2006 Schroeter  
D531,768 S 11/2006 Lee  
D543,668 S 5/2007 Burnham et al.

*Primary Examiner*—Ruth McInroy

(74) *Attorney, Agent, or Firm*—Pearne & Gordon LLP

(57) **CLAIM**

The ornamental design for a vacuum cleaner, as shown and described.

**DESCRIPTION**

FIG. 1 is a front perspective view of a first embodiment of a vacuum cleaner showing our new design;

FIG. 2 is a front view thereof;

FIG. 3 is a back view thereof;

FIG. 4 is a right side view thereof;

FIG. 5 is a bottom view thereof;

FIG. 6 is a left side view thereof;

FIG. 7 is a top view thereof;

FIG. 8 is a front perspective view of a second embodiment thereof;

FIG. 9 is a front view of FIG. 8;

FIG. 10 is a back view of FIG. 8;

FIG. 11 is a right side view of FIG. 8;

FIG. 12 is a bottom view of FIG. 8;

FIG. 13 is a left side view of FIG. 8; and,

FIG. 14 is a top view of FIG. 8.

**1 Claim, 8 Drawing Sheets**

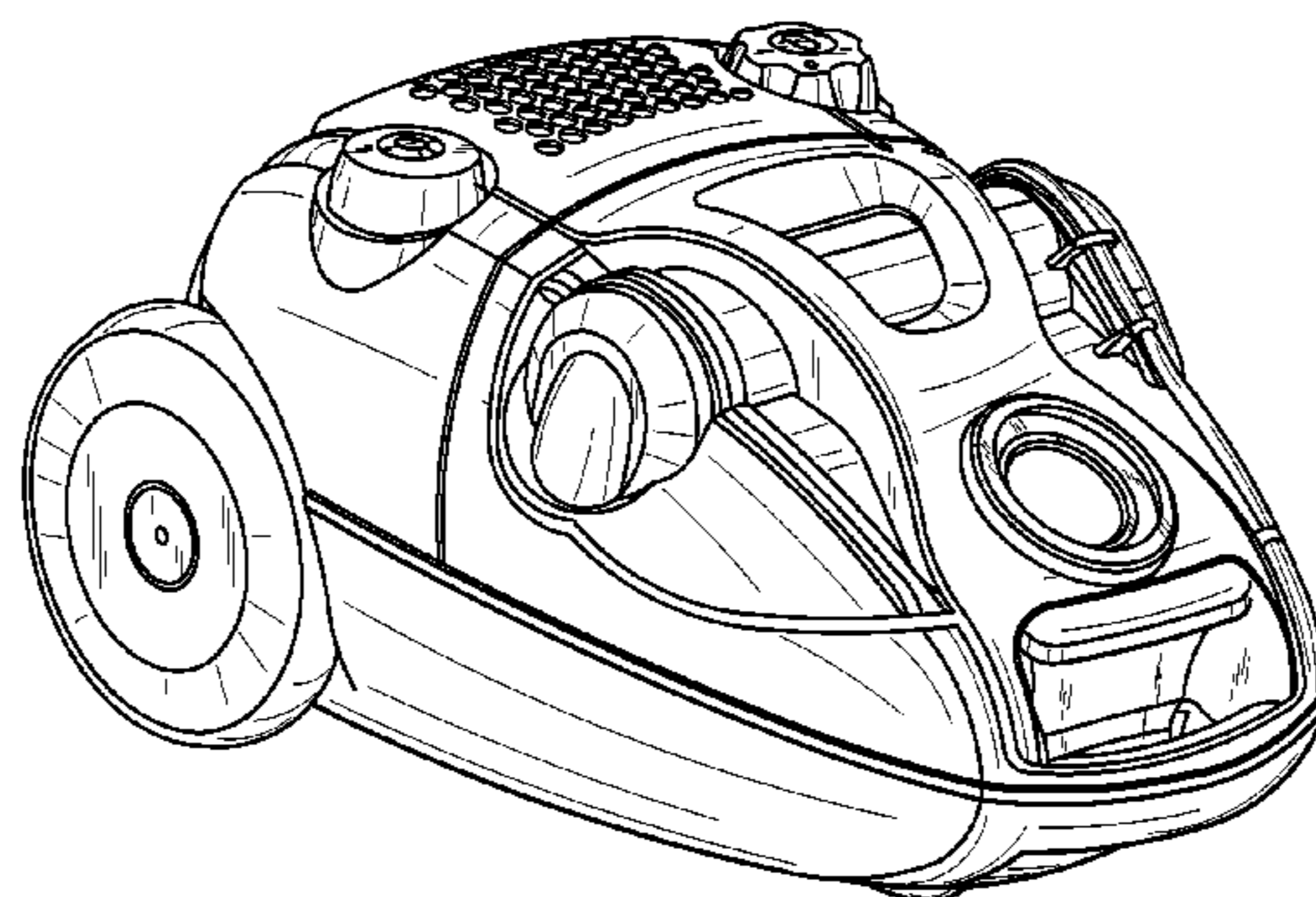
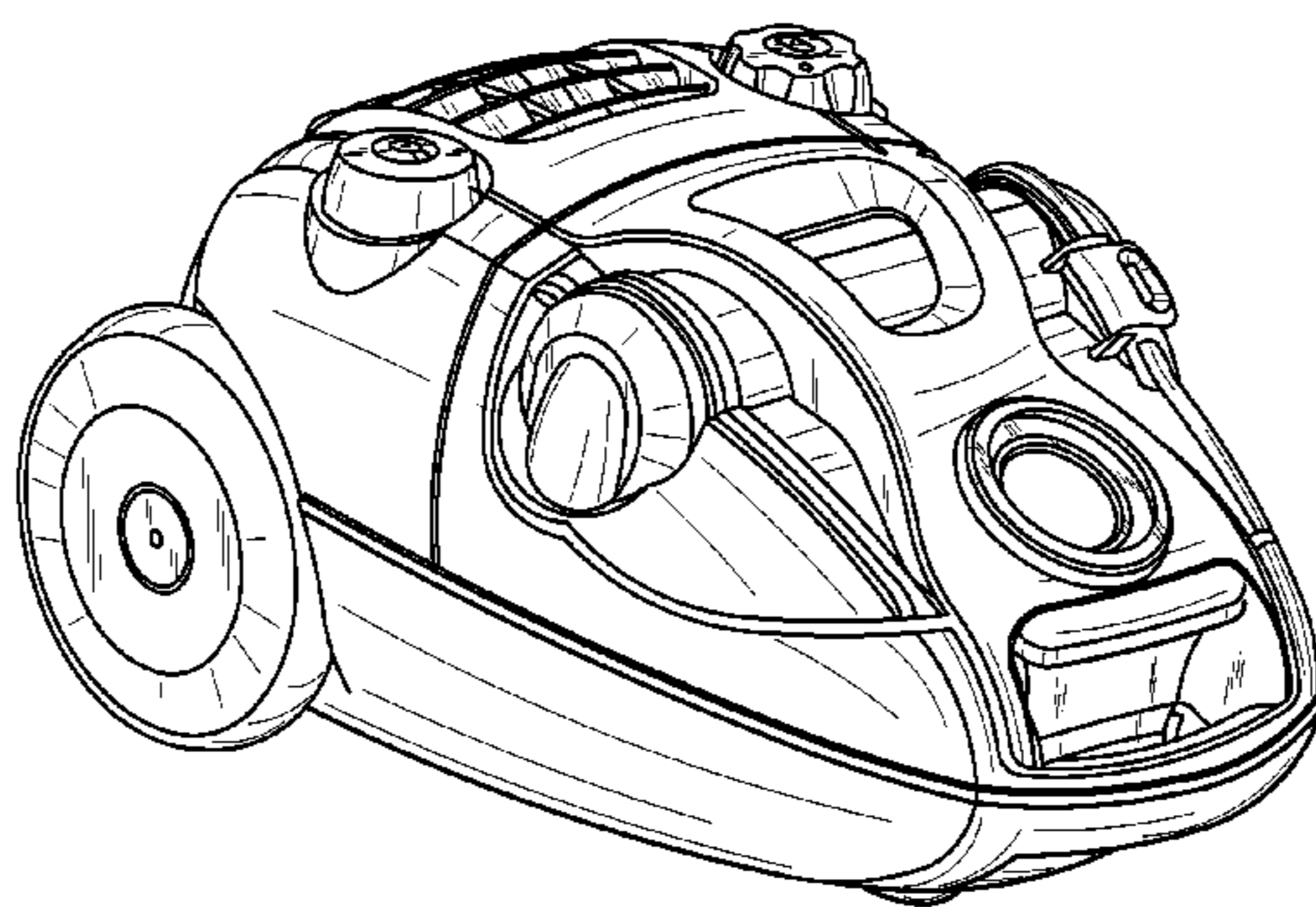


FIG. 1

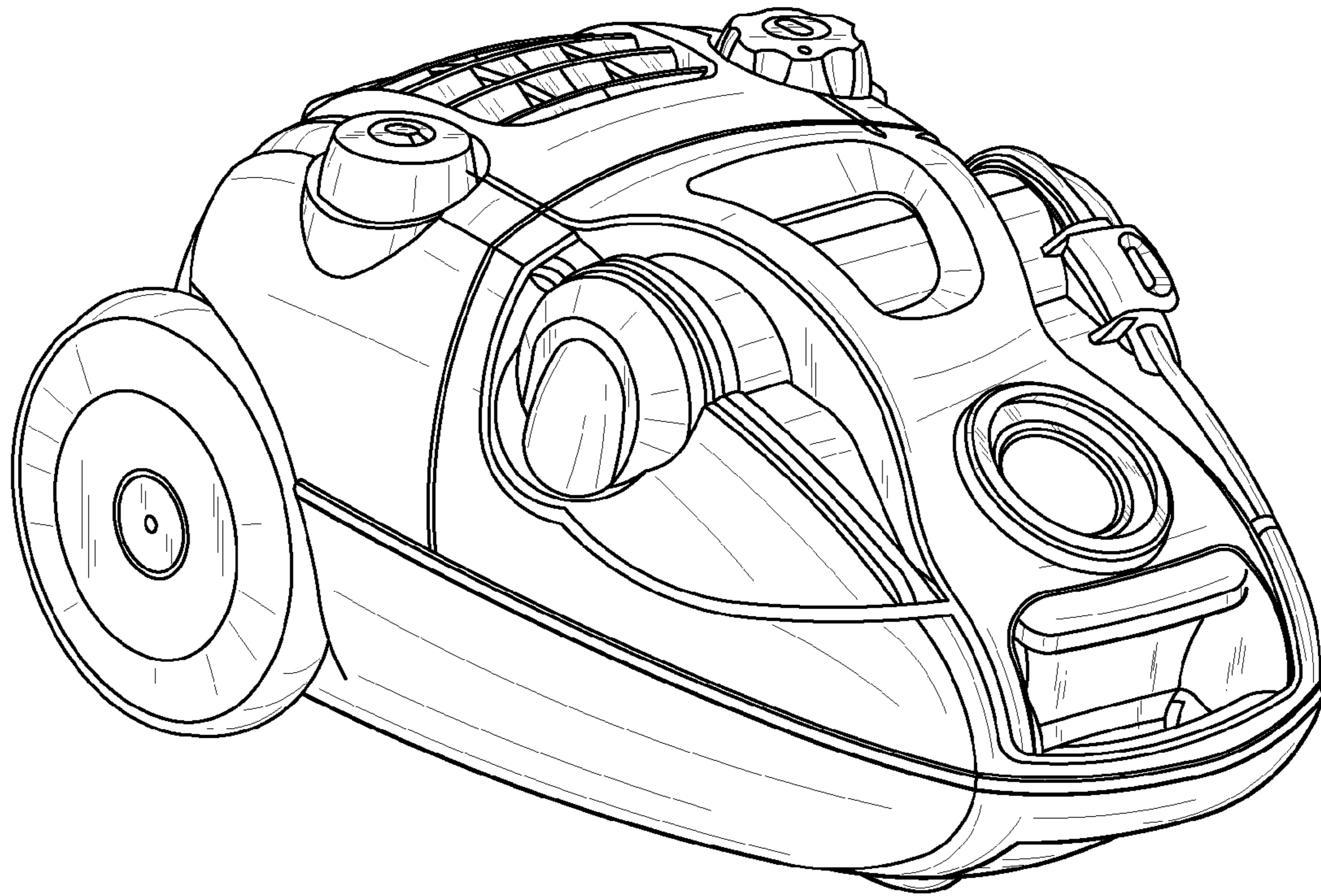


FIG. 2

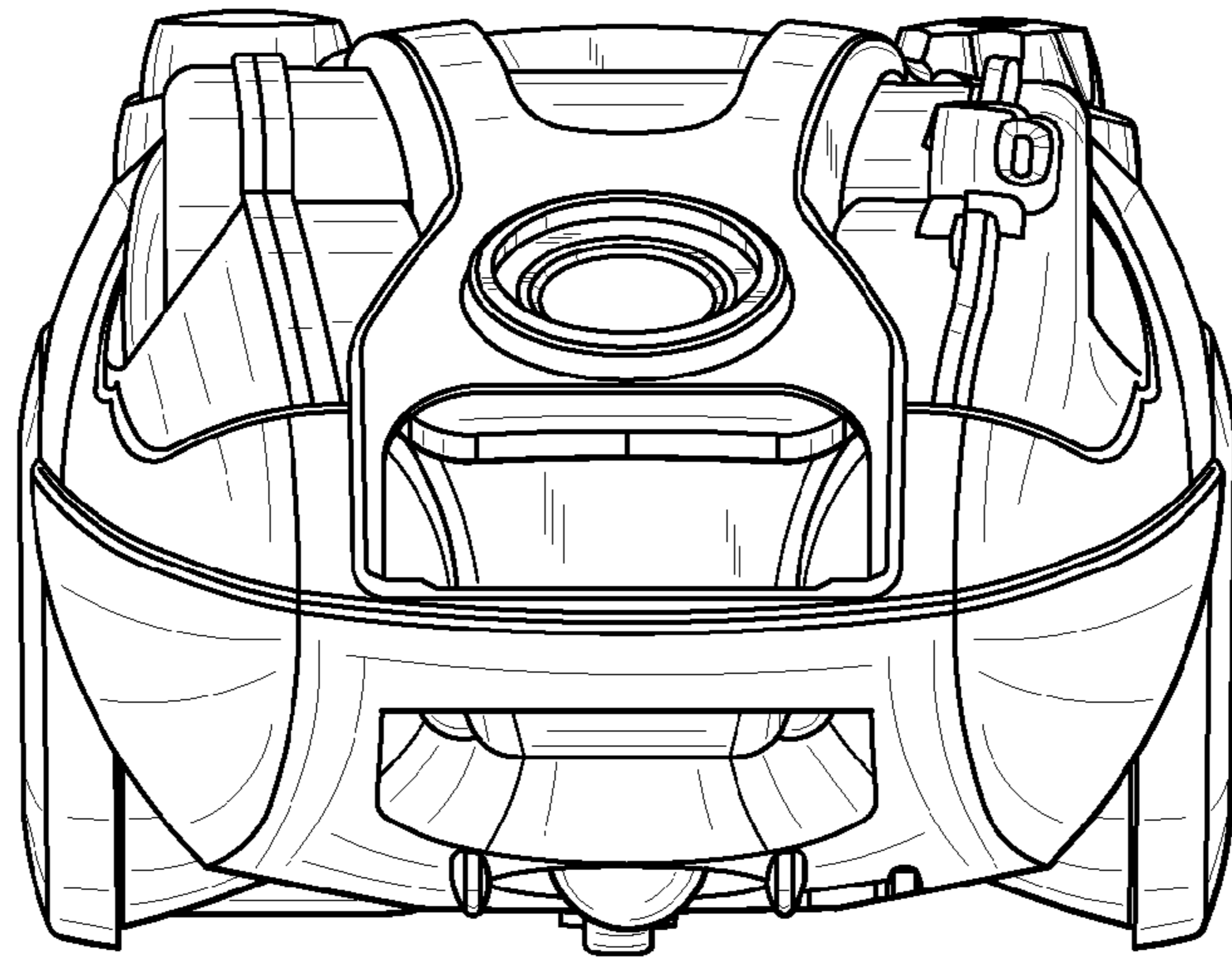


FIG. 3

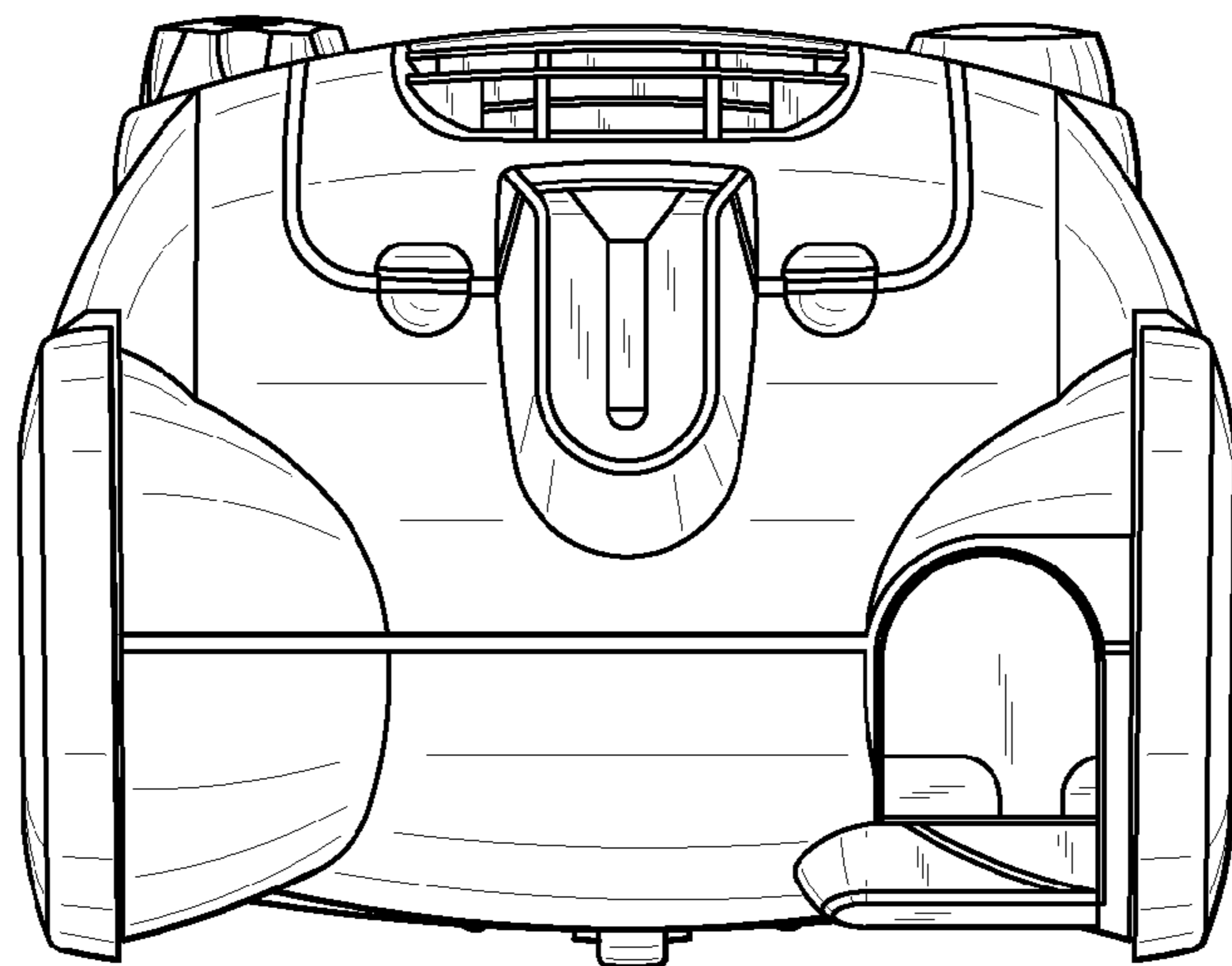


FIG. 4

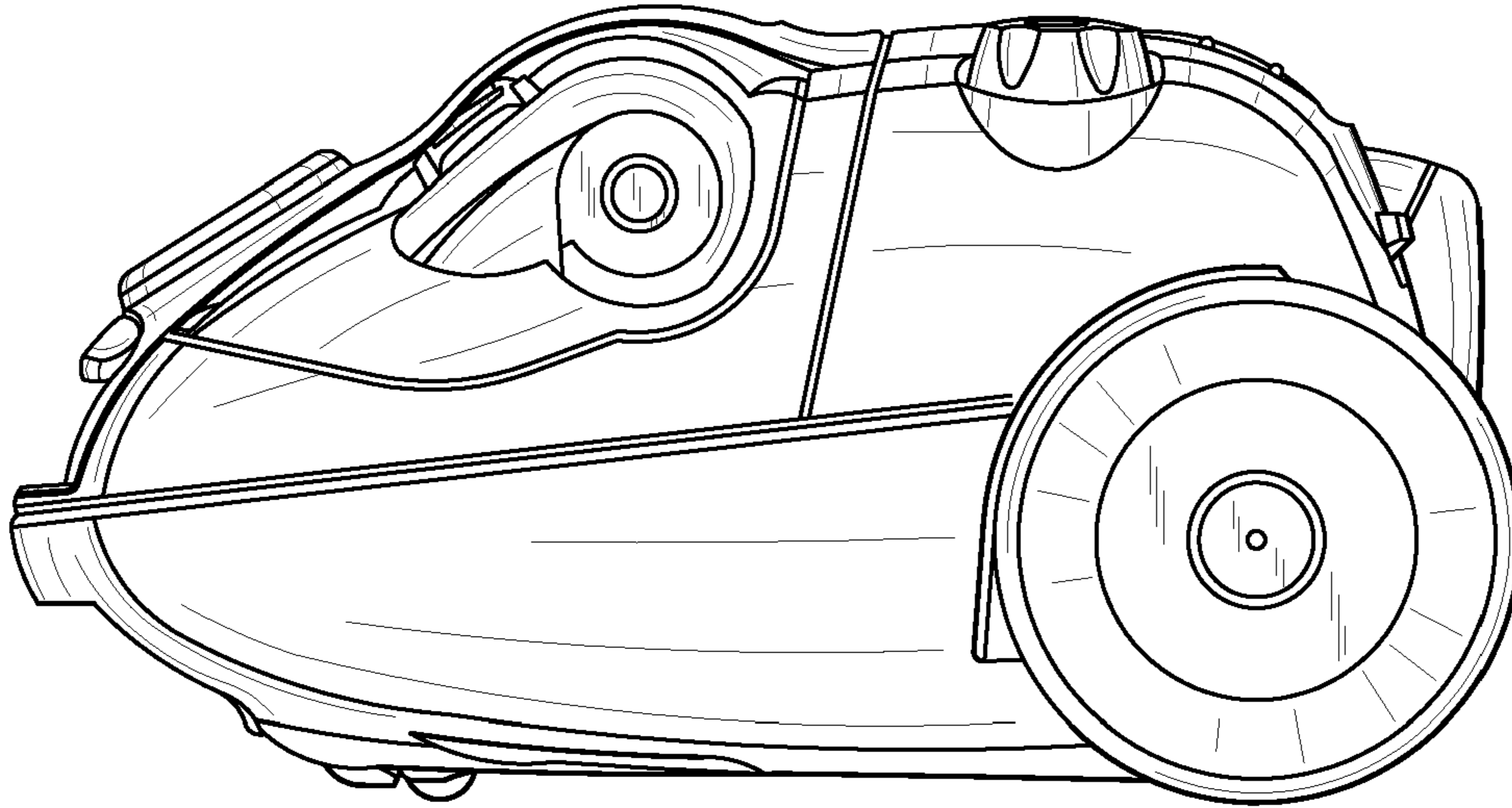


FIG. 5

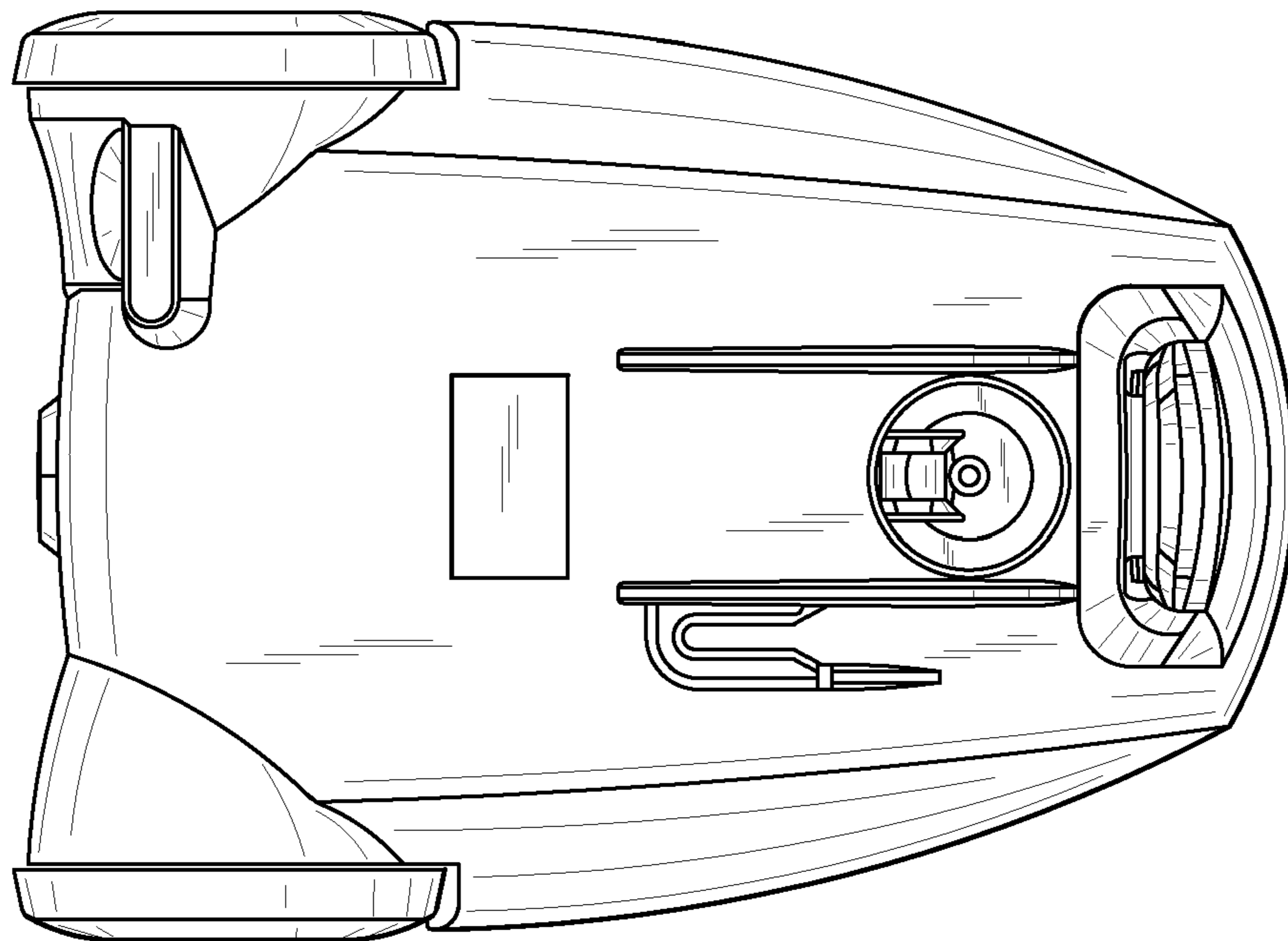


FIG. 6

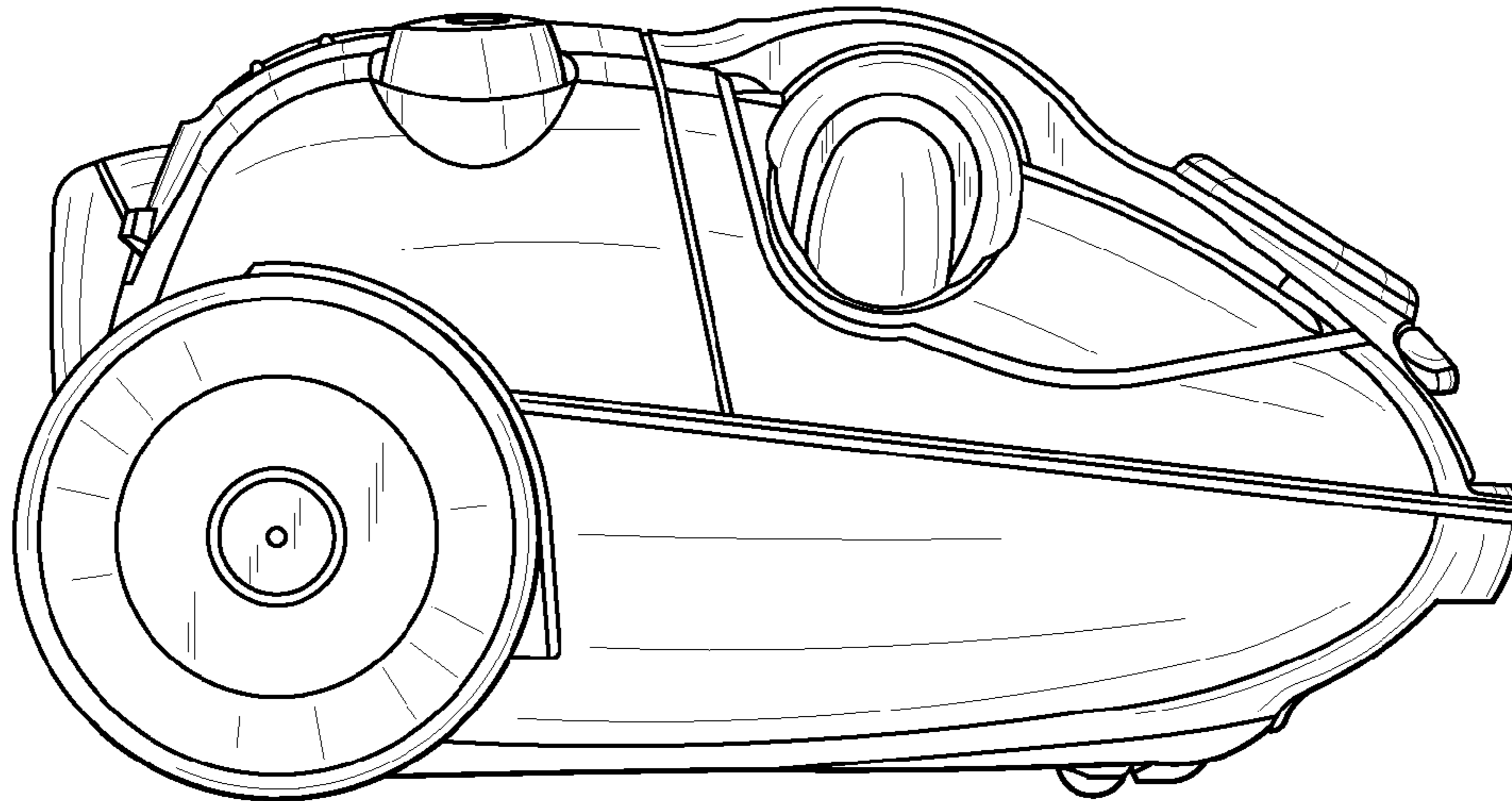


FIG. 7

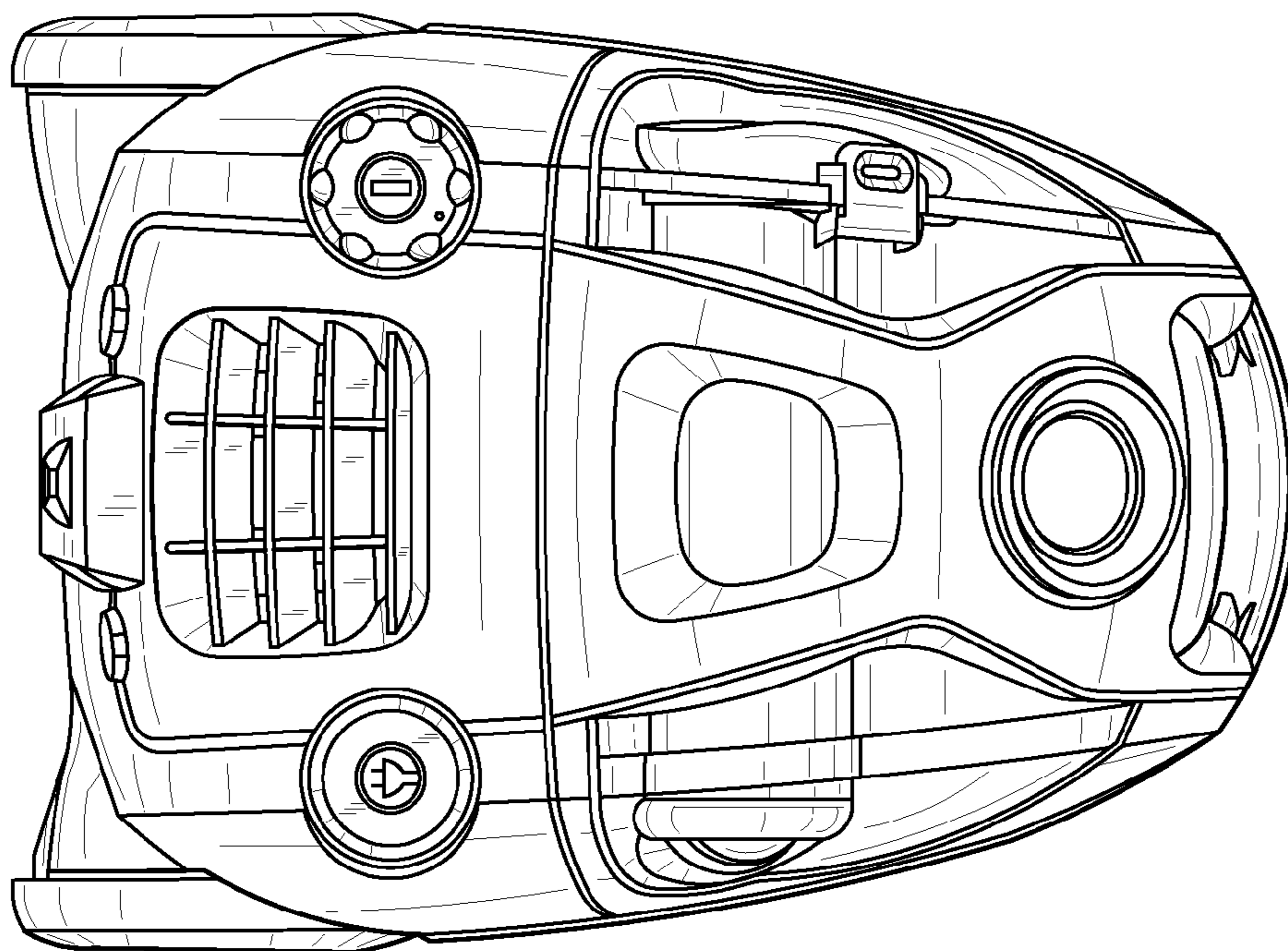


FIG. 8

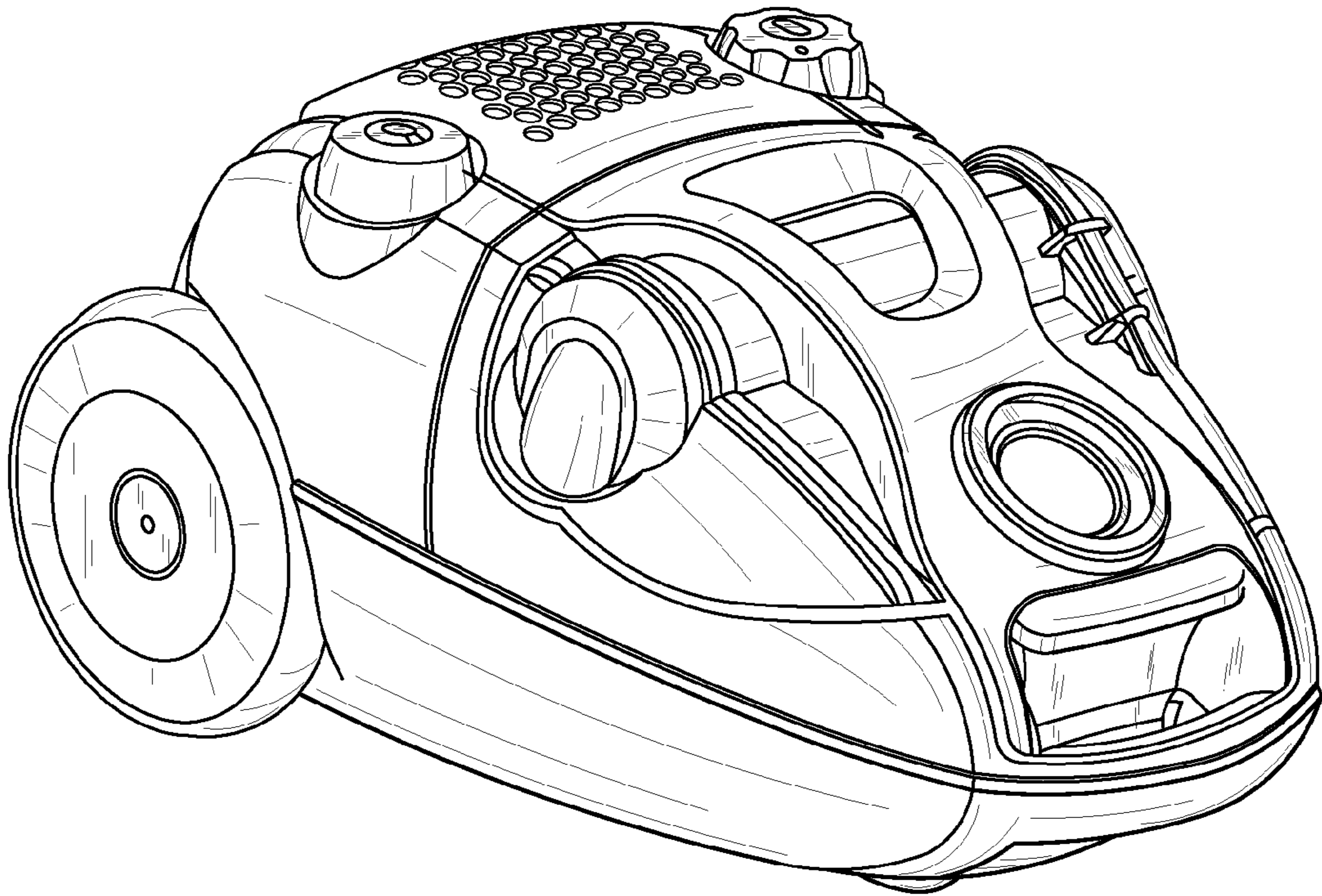


FIG. 9

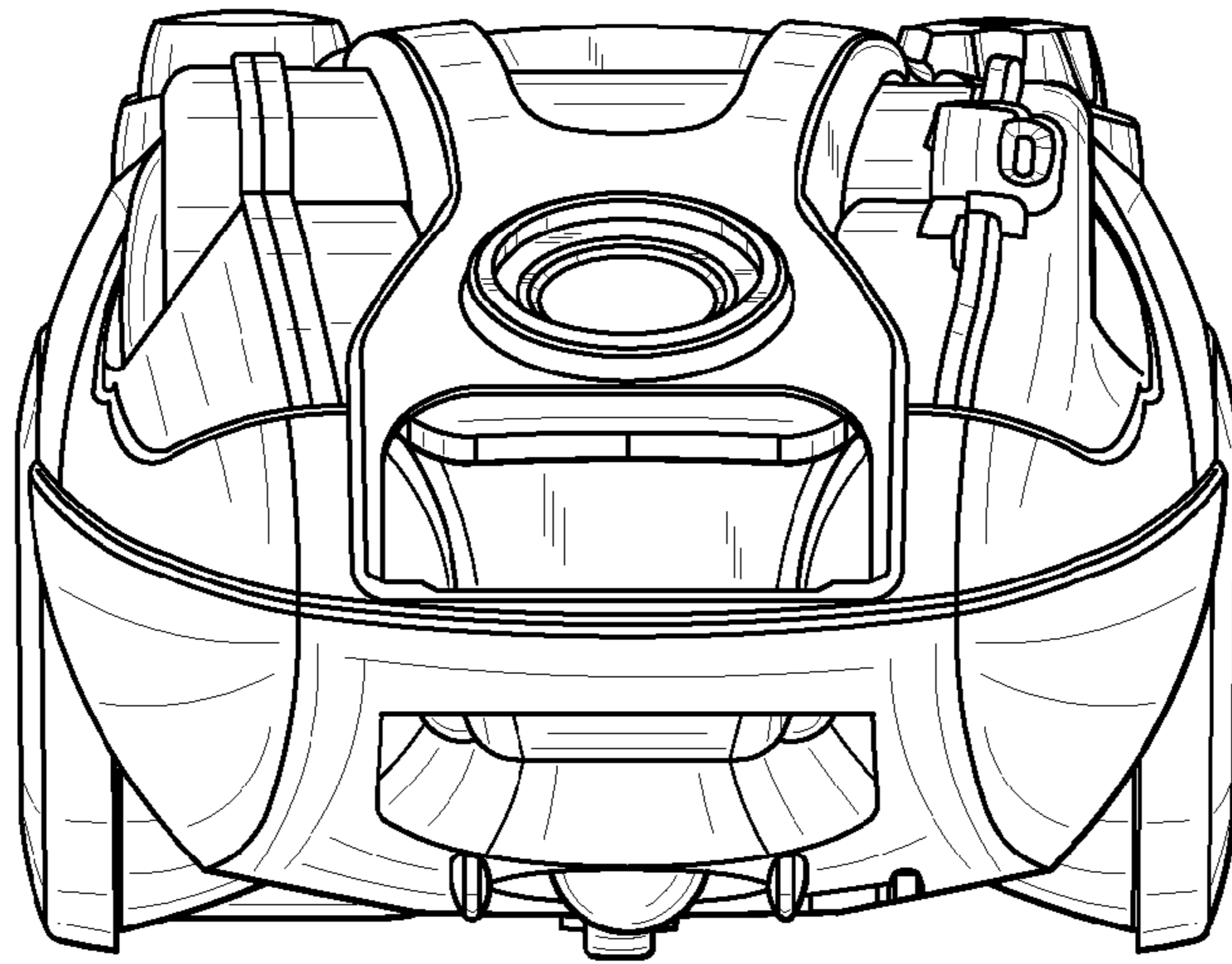


FIG. 10

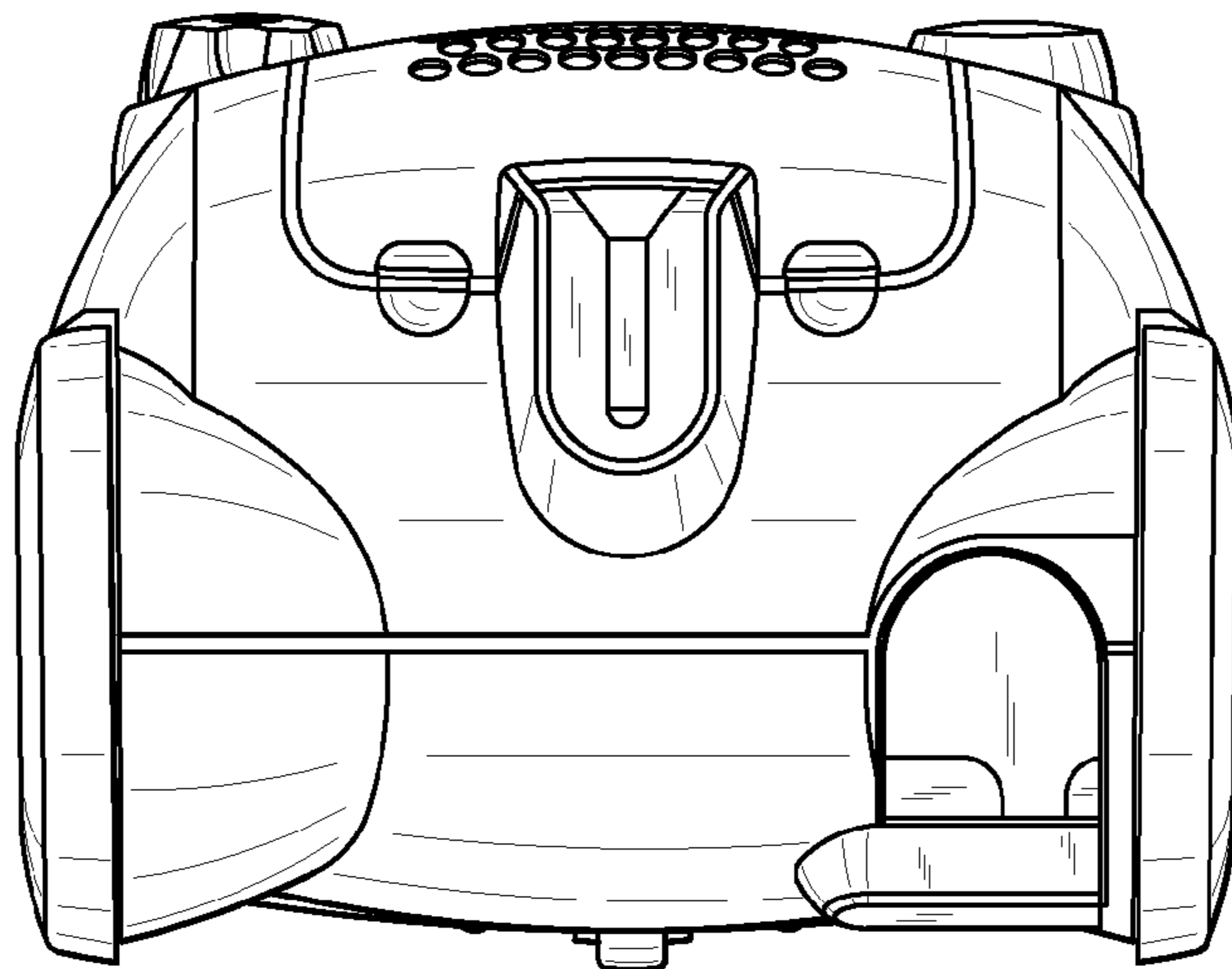


FIG. 1 1

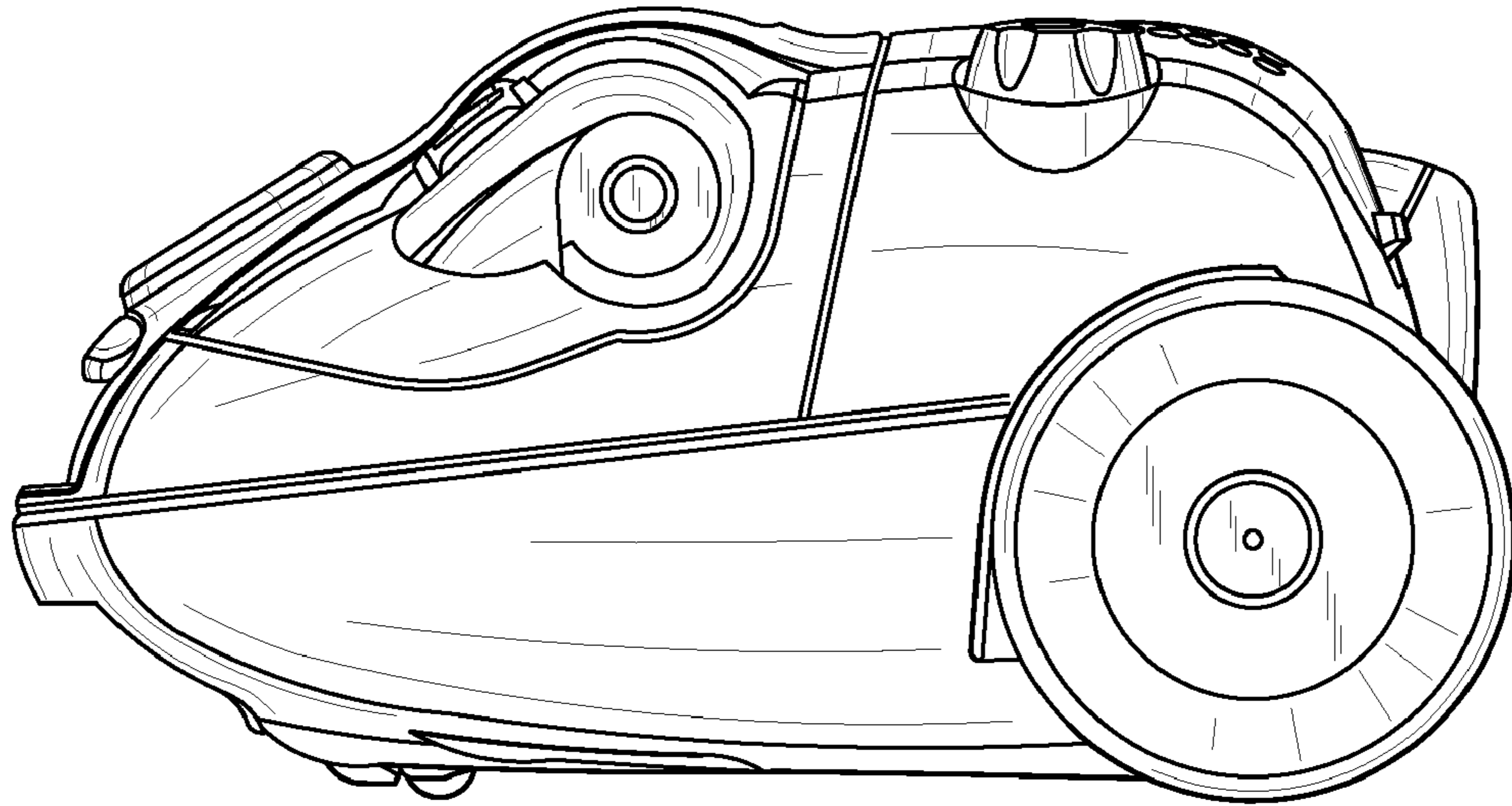


FIG. 1 2

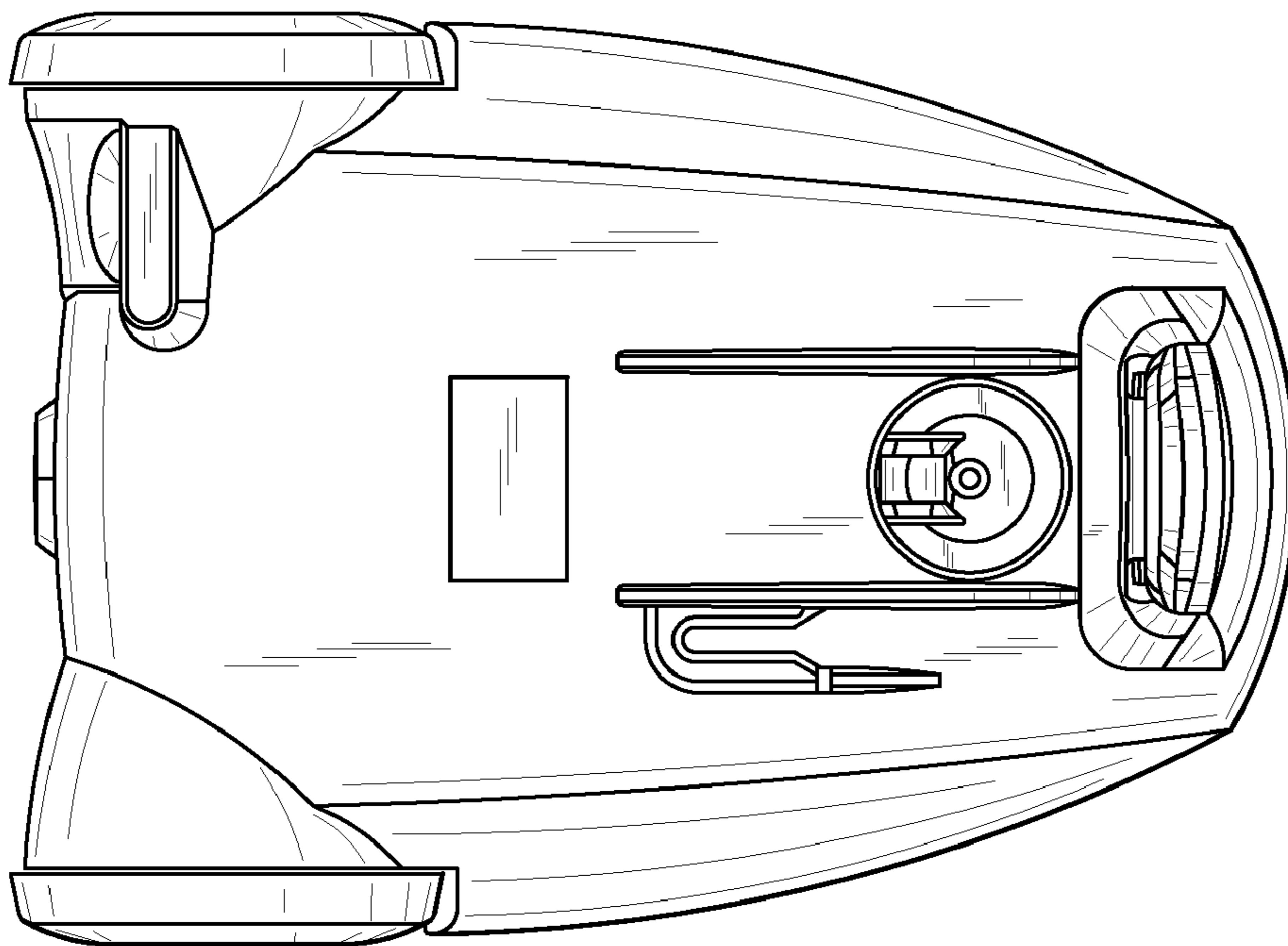




FIG. 13

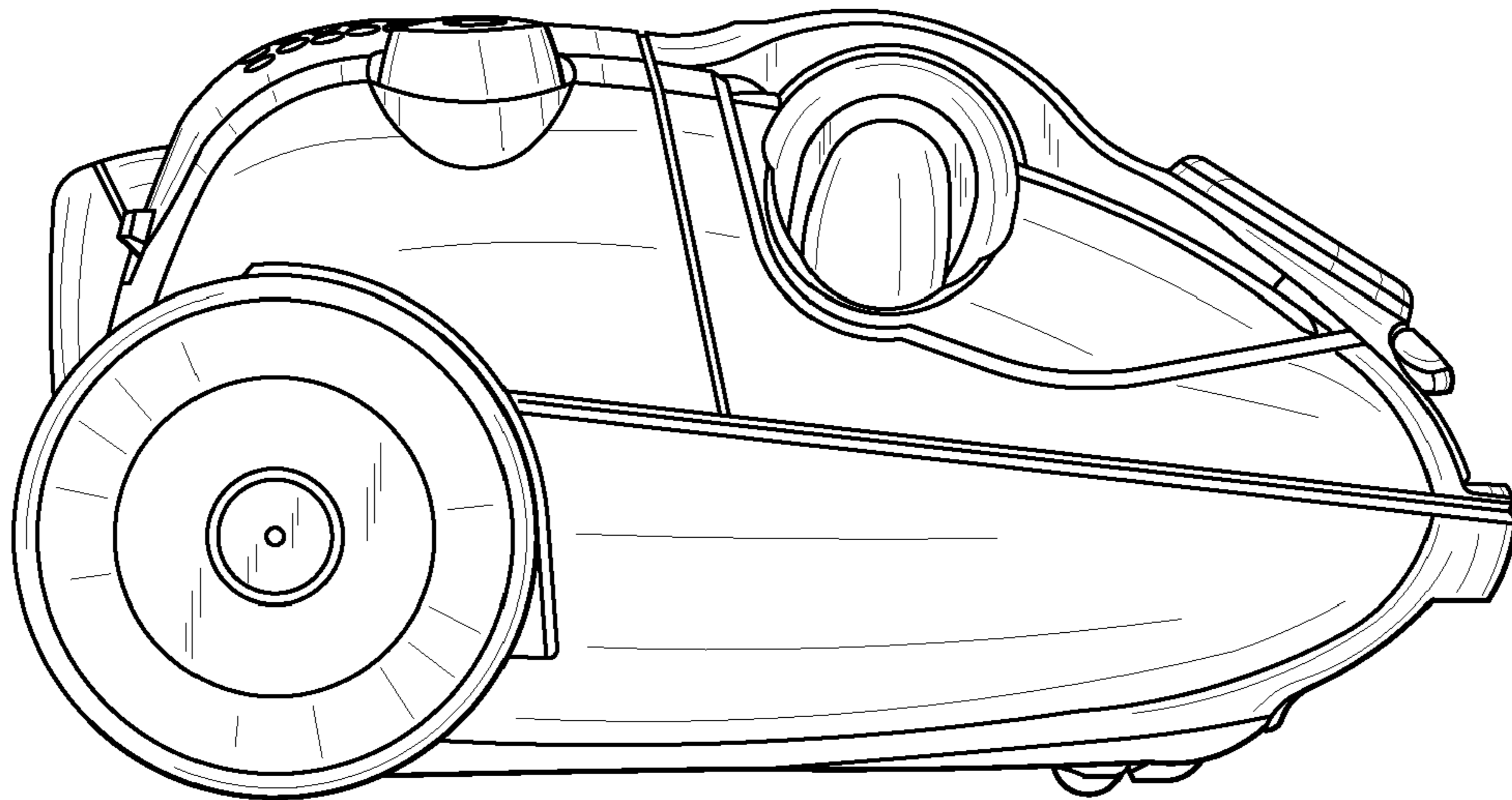


FIG. 14

