



US00D584461S

(12) **United States Design Patent**  
**Sweeney**

(10) **Patent No.:** **US D584,461 S**  
(45) **Date of Patent:** **\*\* Jan. 6, 2009**

(54) **GARDEN BLOWER**  
(75) Inventor: **Seán Sweeney**, Durham (GB)  
(73) Assignee: **Black & Decker Inc.**, Newark, DE (US)  
(\*\*) Term: **14 Years**  
(21) Appl. No.: **29/292,975**  
(22) Filed: **Nov. 5, 2007**

6,629,818 B2 \* 10/2003 Svoboda ..... 415/121.1  
D498,885 S \* 11/2004 Robson ..... D32/15  
6,834,413 B2 \* 12/2004 Sanders et al. .... 15/405  
D556,395 S \* 11/2007 Martin et al. .... D32/15  
D569,055 S \* 5/2008 Bochmann et al. .... D32/15

\* cited by examiner

*Primary Examiner*—Louis S Zarfaz  
*Assistant Examiner*—Kathleen M Sims  
(74) *Attorney, Agent, or Firm*—John Yun; Bruce S. Shapiro;  
Wesley Muller

(30) **Foreign Application Priority Data**  
May 3, 2007 (EM) ..... 000717053

(57) **CLAIM**

The ornamental design for a garden blower, as shown and described.

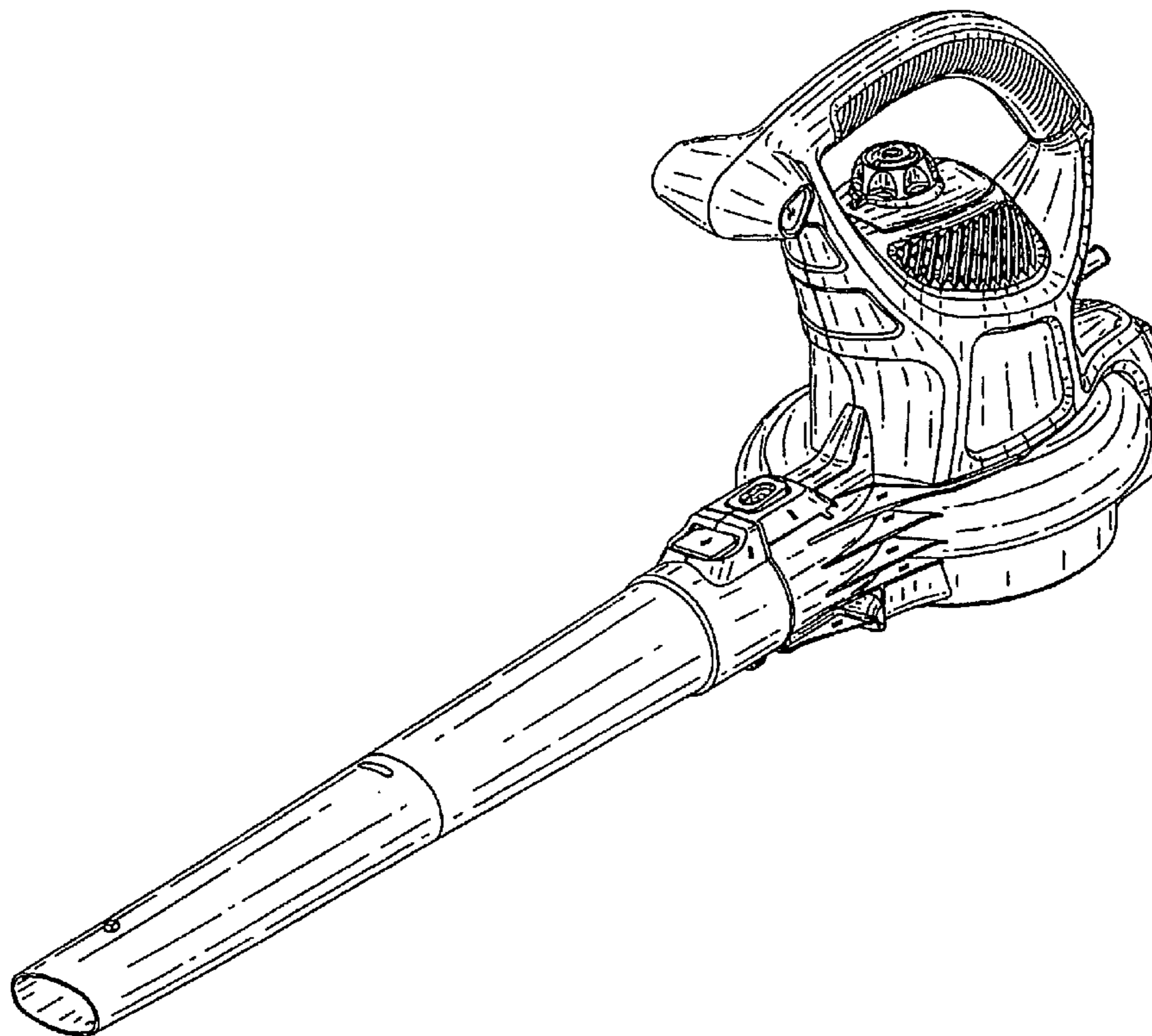
(51) **LOC (9) Cl.** ..... **15-05**  
(52) **U.S. Cl.** ..... **D32/15**  
(58) **Field of Classification Search** ..... D32/1,  
D32/4, 15-16, 25, 17-18, 21; 15/321, 344,  
15/315, 345, 412, 414, 300.1, 346, 415.1;  
D23/213, 225; 417/236, 423.1, 423.3  
See application file for complete search history.

**DESCRIPTION**

FIG. 1 is a perspective view of a garden blower showing my new design  
FIG. 2 is a right side view thereof.  
FIG. 3 is a left side view thereof.  
FIG. 4 is a front view thereof.  
FIG. 5 is a rear view thereof.  
FIG. 6 is a top view thereof; and,  
FIG. 7 is a bottom view thereof.

(56) **References Cited**  
U.S. PATENT DOCUMENTS  
D368,341 S \* 3/1996 Pink ..... D32/15  
D426,354 S \* 6/2000 Ohi et al. .... D32/15  
6,158,082 A \* 12/2000 Beckey et al. .... 15/326  
D461,604 S \* 8/2002 Martin et al. .... D32/15  
6,442,790 B1 \* 9/2002 Svoboda et al. .... 15/330

**1 Claim, 5 Drawing Sheets**



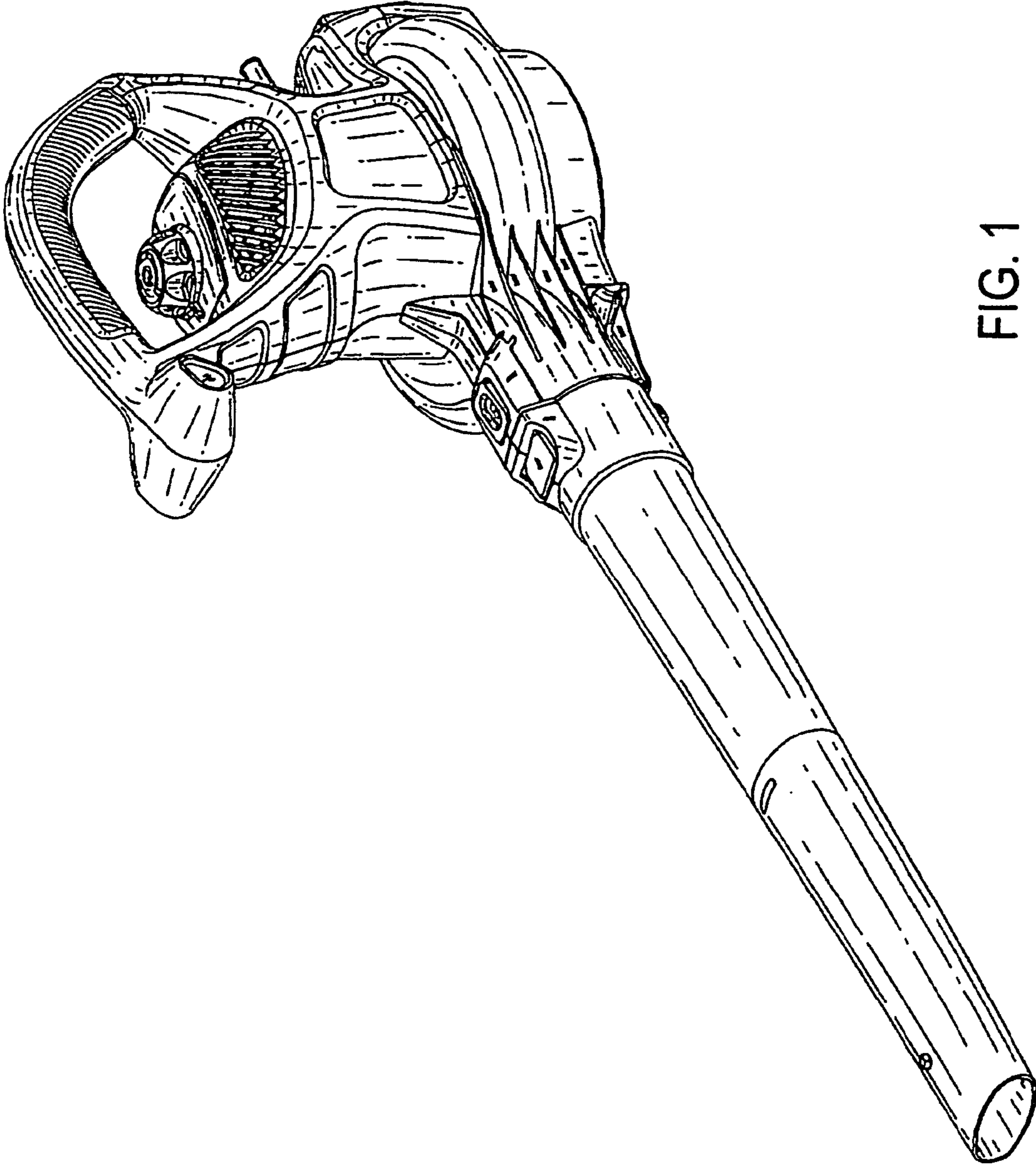


FIG. 1

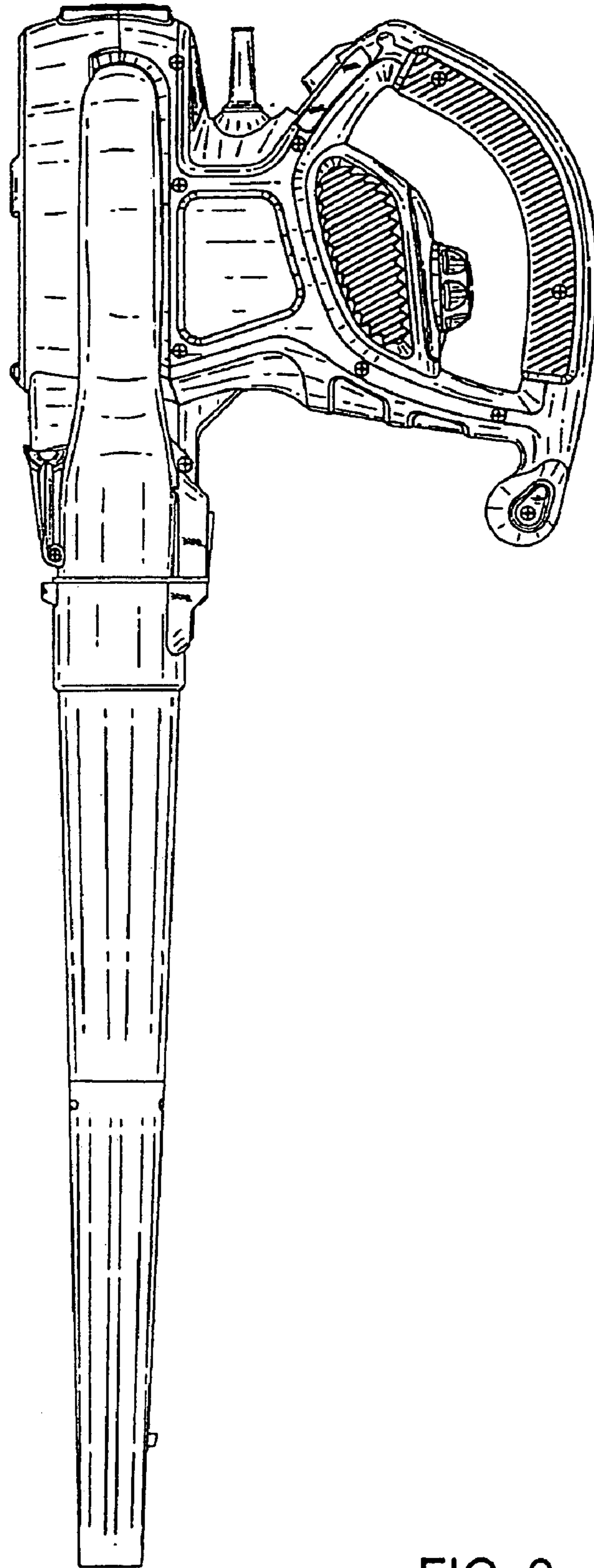


FIG. 2

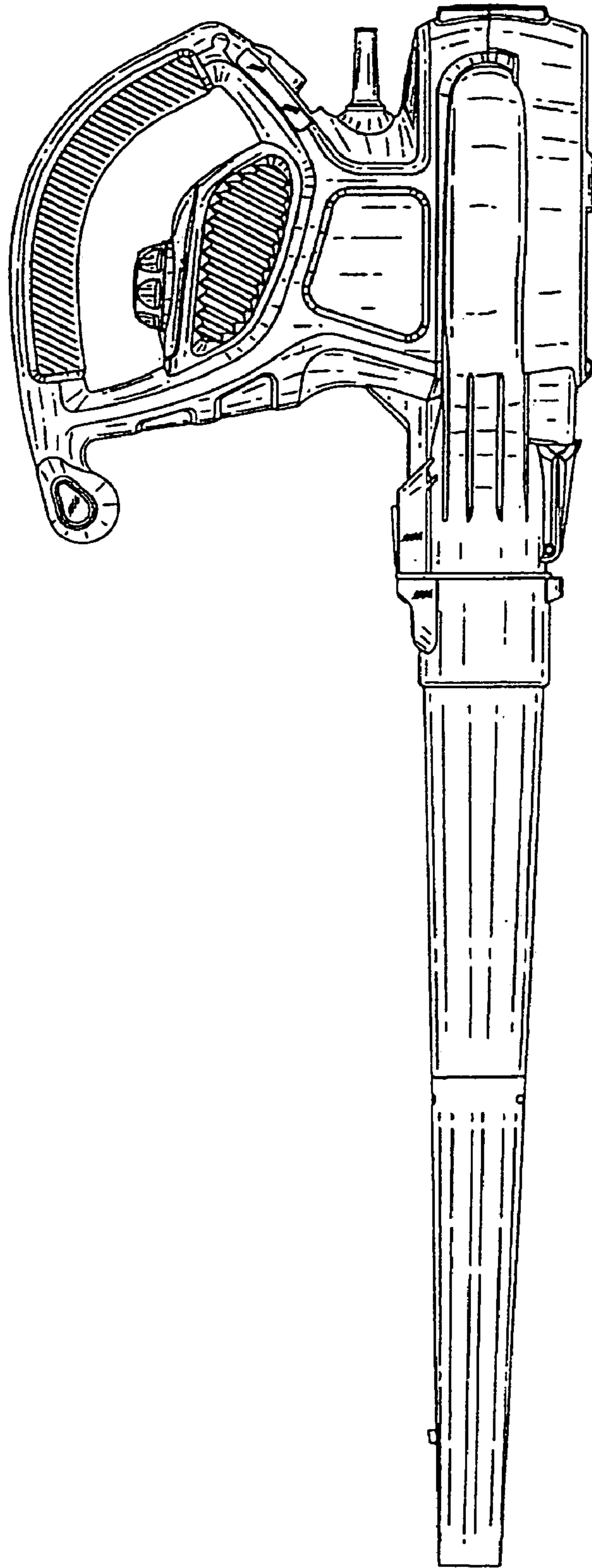


FIG. 3

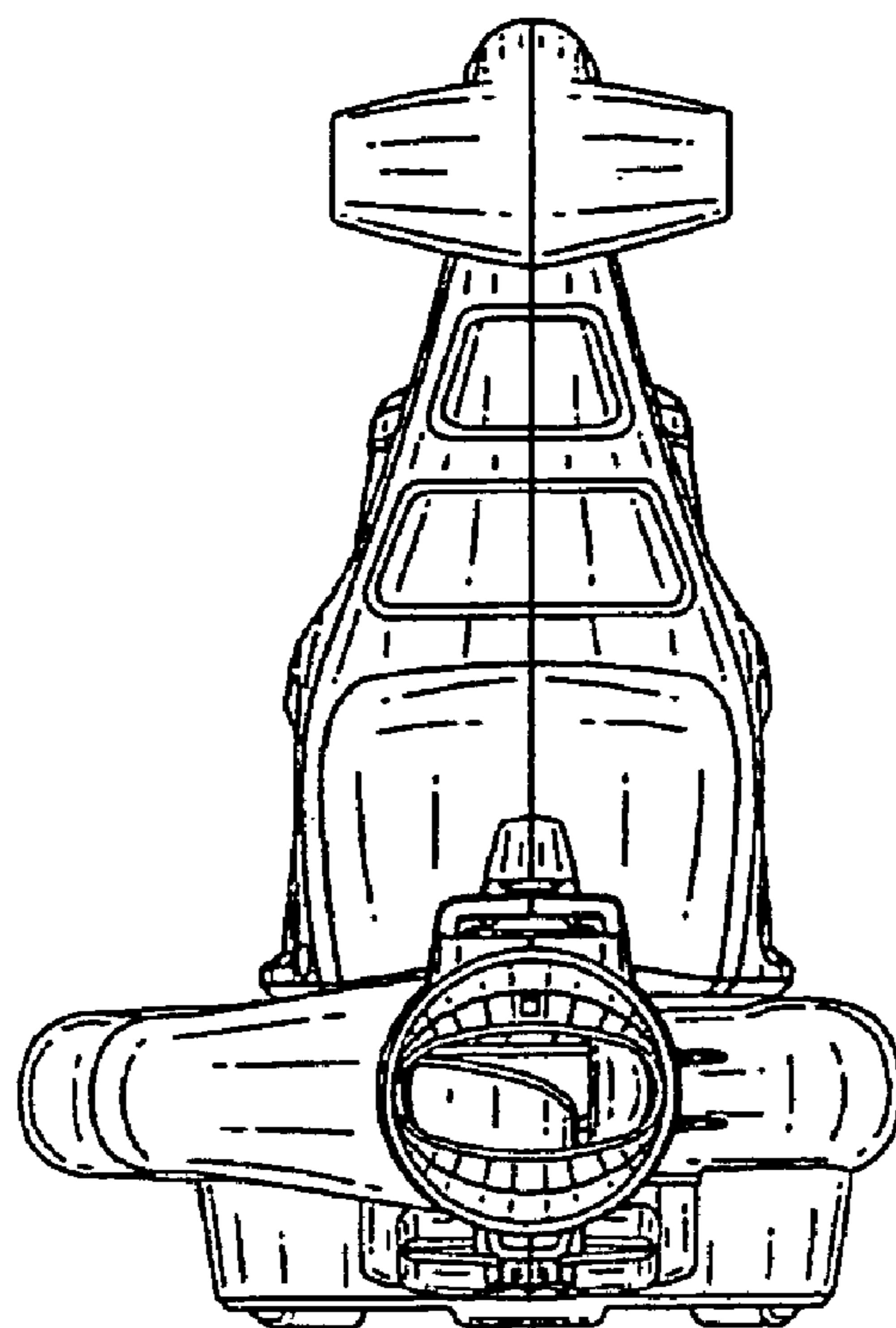


FIG. 4

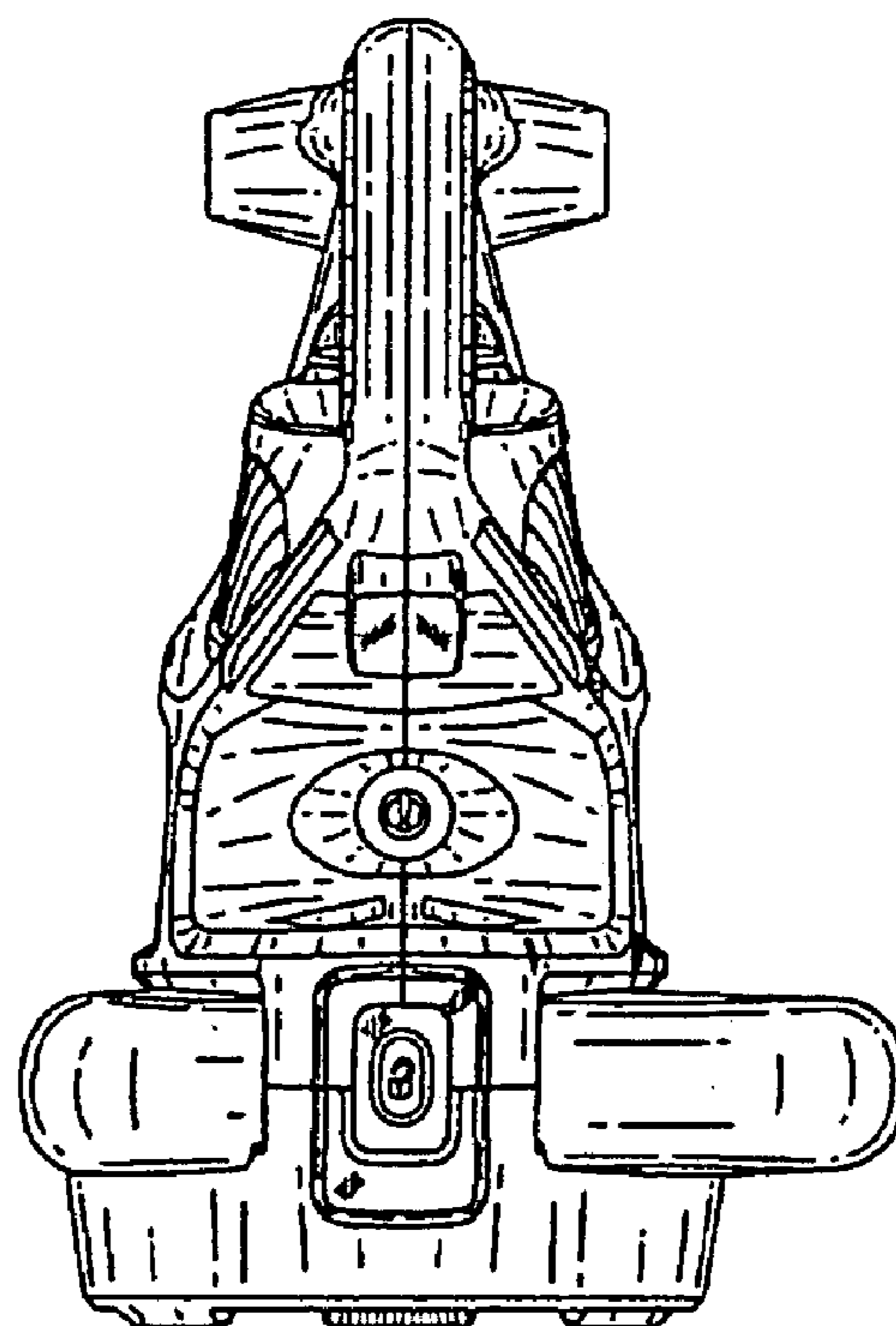


FIG. 5

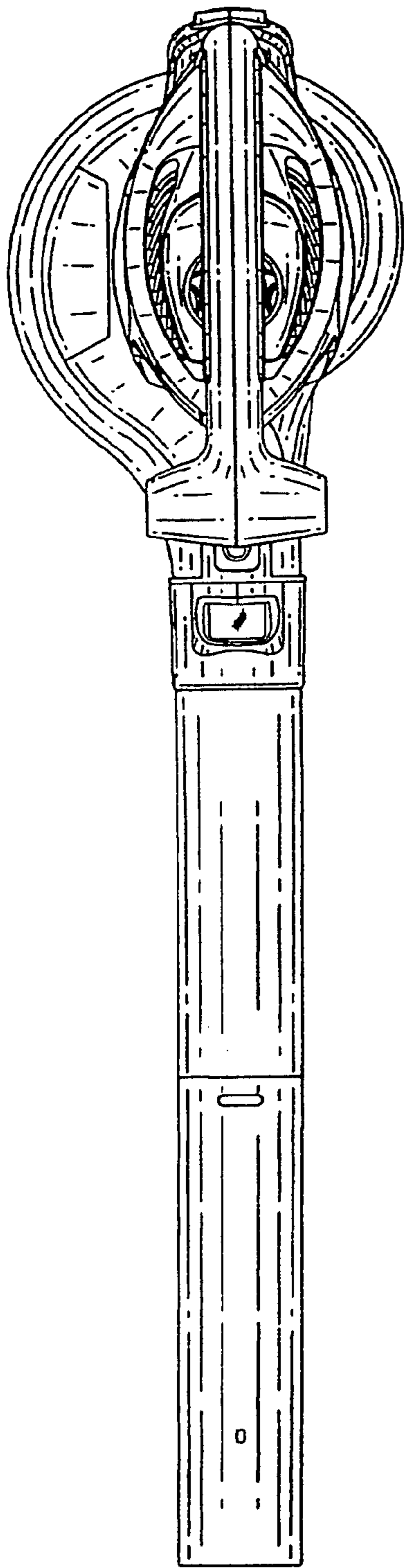


FIG. 6

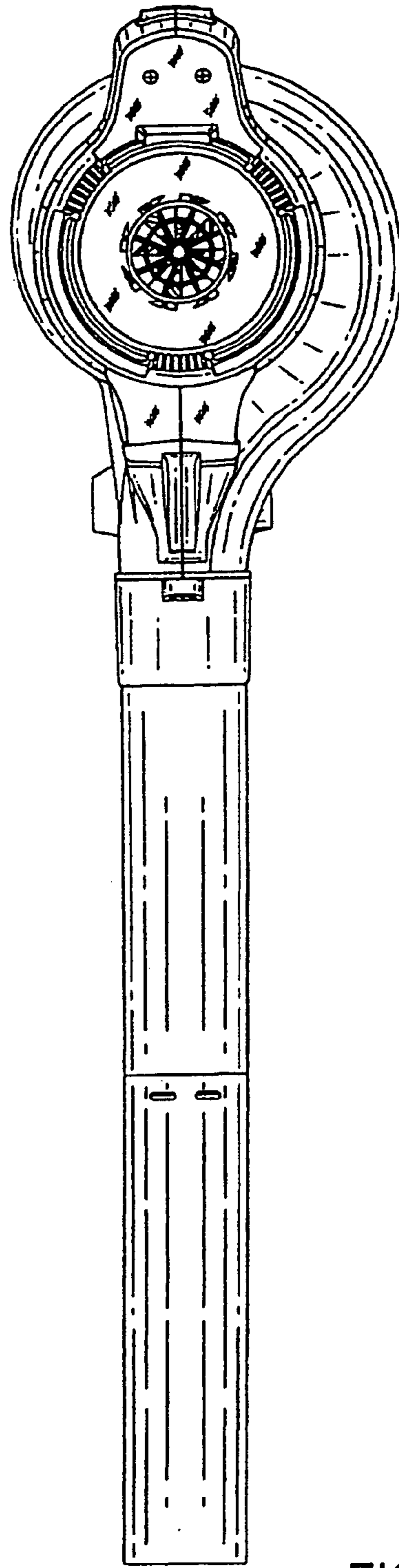


FIG. 7