



US00D584459S

(12) **United States Design Patent**
Cadamuro

(10) **Patent No.:** **US D584,459 S**
(45) **Date of Patent:** **** *Jan. 6, 2009**

(54) **LAUNDRY APPLIANCE SET**

D553,309 S * 10/2007 Revoldini et al. D32/6

(75) Inventor: **Michele Cadamuro**, Cimadolmo (IT)

(73) Assignee: **Electrolux Professional SpA**,
Pordenone (IT)

(*) Notice: This patent is subject to a terminal disclaimer.

(**) Term: **14 Years**

(21) Appl. No.: **29/283,289**

(22) Filed: **Aug. 9, 2007**

(30) **Foreign Application Priority Data**

Feb. 12, 2007 (EM) 000669056

(51) **LOC (9) Cl.** **15-05**

(52) **U.S. Cl.** **D32/6**

(58) **Field of Classification Search** D32/1,
D32/5-6, 8, 10, 11, 25, 28; 38/1 A; 312/31;
34/58, 87-88, 108-109, 130-132, 417, 499,
34/523-524, 534, 595-597, 600, 603; 68/3 R,
68/4, 5 R, 12.01, 12.08, 212, 139
See application file for complete search history.

(56) **References Cited**

U.S. PATENT DOCUMENTS

- D236,152 S * 7/1975 Yamamoto D32/8
- D271,147 S * 10/1983 Krebs D32/6
- D271,148 S * 10/1983 Krebs D32/6
- D340,785 S * 10/1993 Bover D32/6
- D450,164 S * 11/2001 Dyson et al. D32/6
- D456,572 S * 4/2002 Resuello et al. D32/6

OTHER PUBLICATIONS

<http://www.laundrysystems.electrolux.it/node129.asp?ProdID=2945> Feb. 7, 2008.*

<http://www.laundrysystems.electrolux.it/node129.asp?ProdID=2948> Feb. 12, 2008.*

* cited by examiner

Primary Examiner—Louis S Zarfaz

Assistant Examiner—Kathleen M Sims

(74) *Attorney, Agent, or Firm*—Pearne & Gordon LLP

(57) **CLAIM**

The ornamental design, for a laundry appliance set, as shown and described.

DESCRIPTION

FIG. 1 is a perspective view of a laundry appliance set showing my new design;

FIG. 2 is a front view thereof;

FIG. 3 is a top view thereof;

FIG. 4 is a right side view thereof; and,

FIG. 5 is a left side view thereof.

The broken line showing of the various surface details in FIGS. 1-5 are for the purpose of illustration only and form no part of the claimed design. In FIGS. 1-3, the two outermost laundry apparatuses that are shown completely in broken lines are included for purposes of illustration only and form no part of the claimed design. The stippling shown in FIGS. 1 and 2 is provided to illustrate the contrast between the wave design and the surrounding surfaces, and does not represent any particular color, pattern or surface texture.

1 Claim, 3 Drawing Sheets

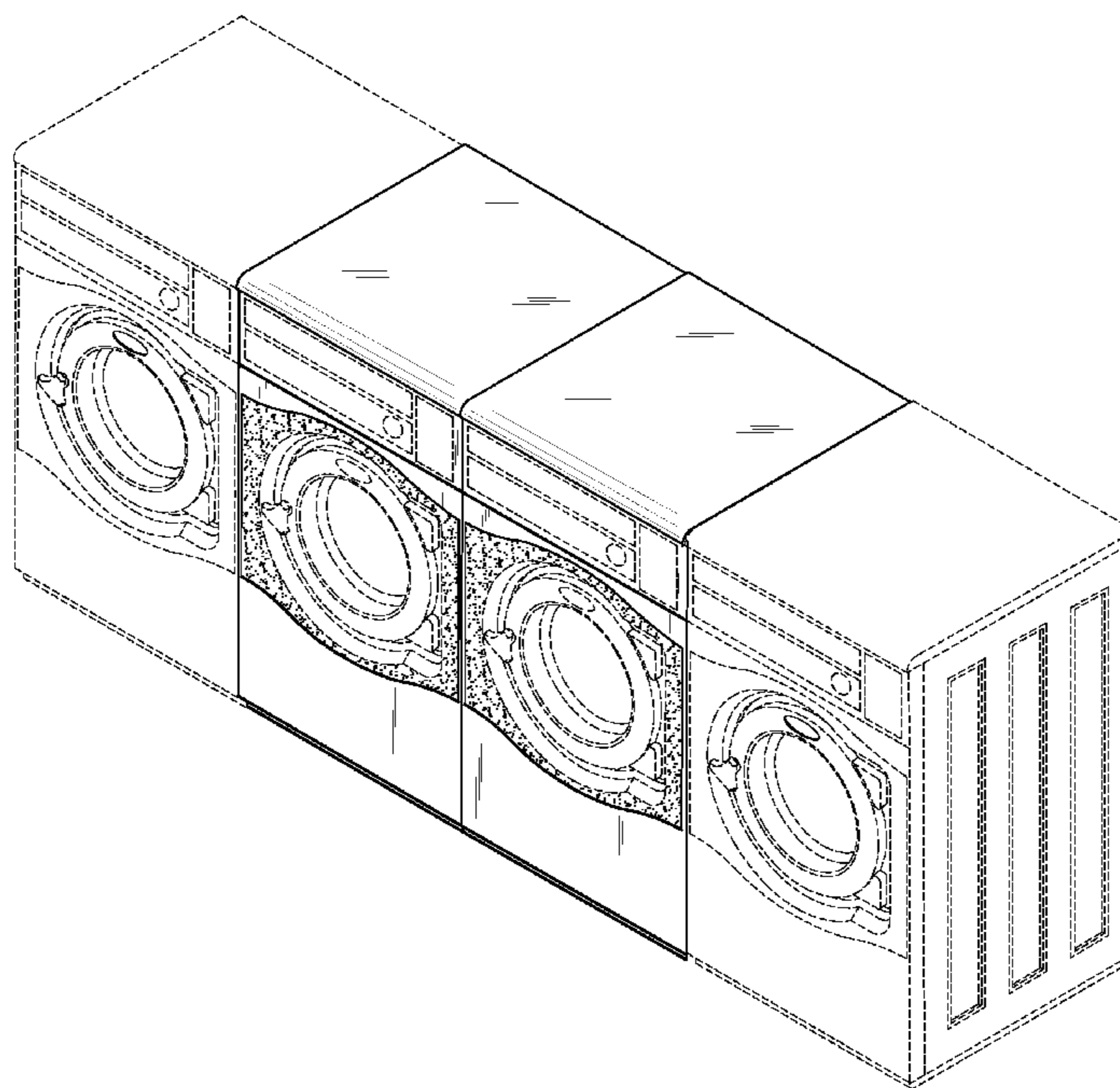
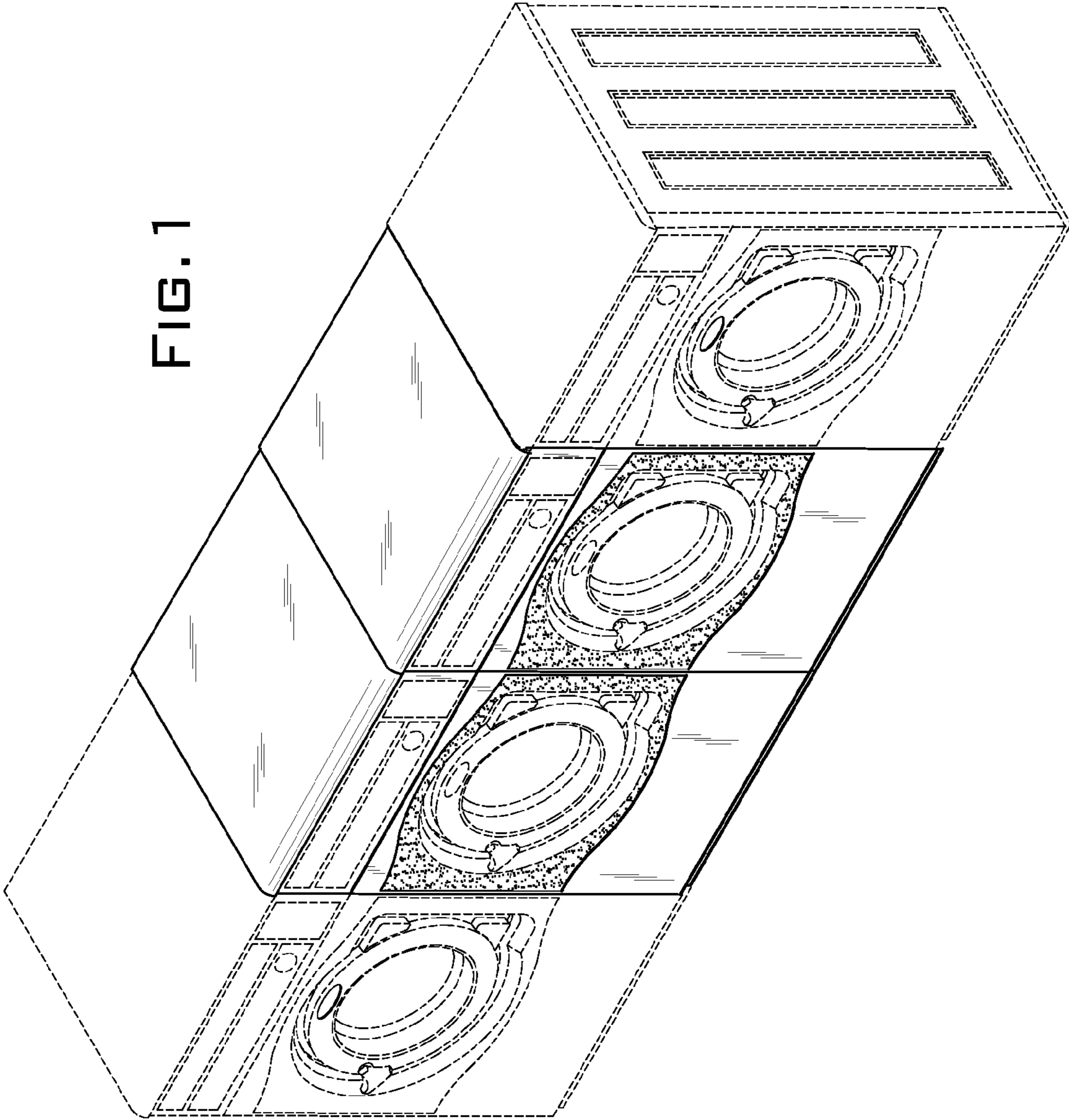


FIG. 1



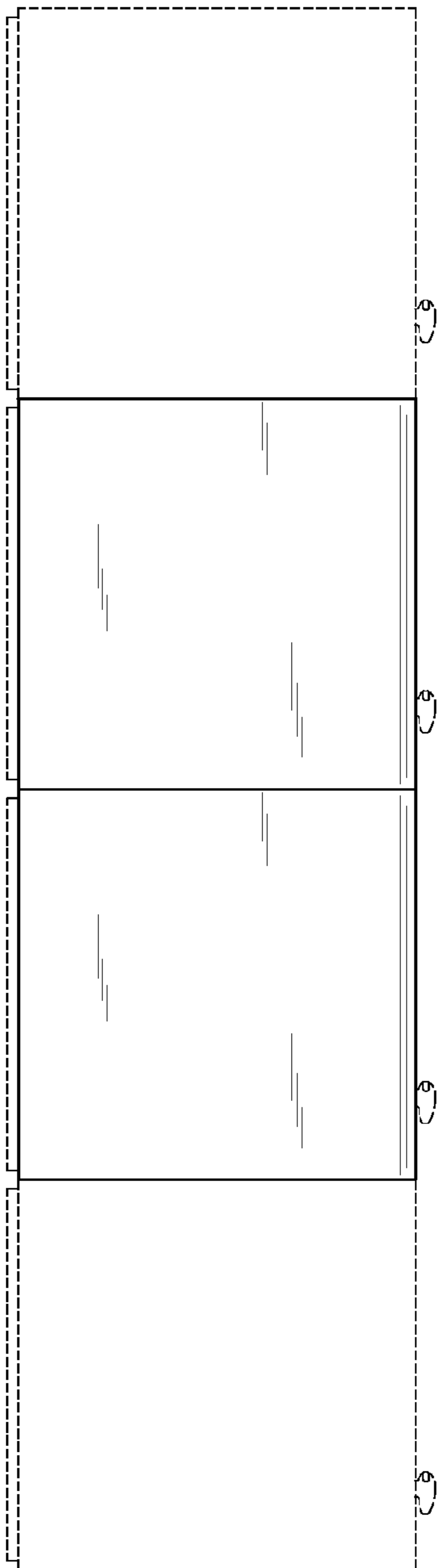


FIG. 3

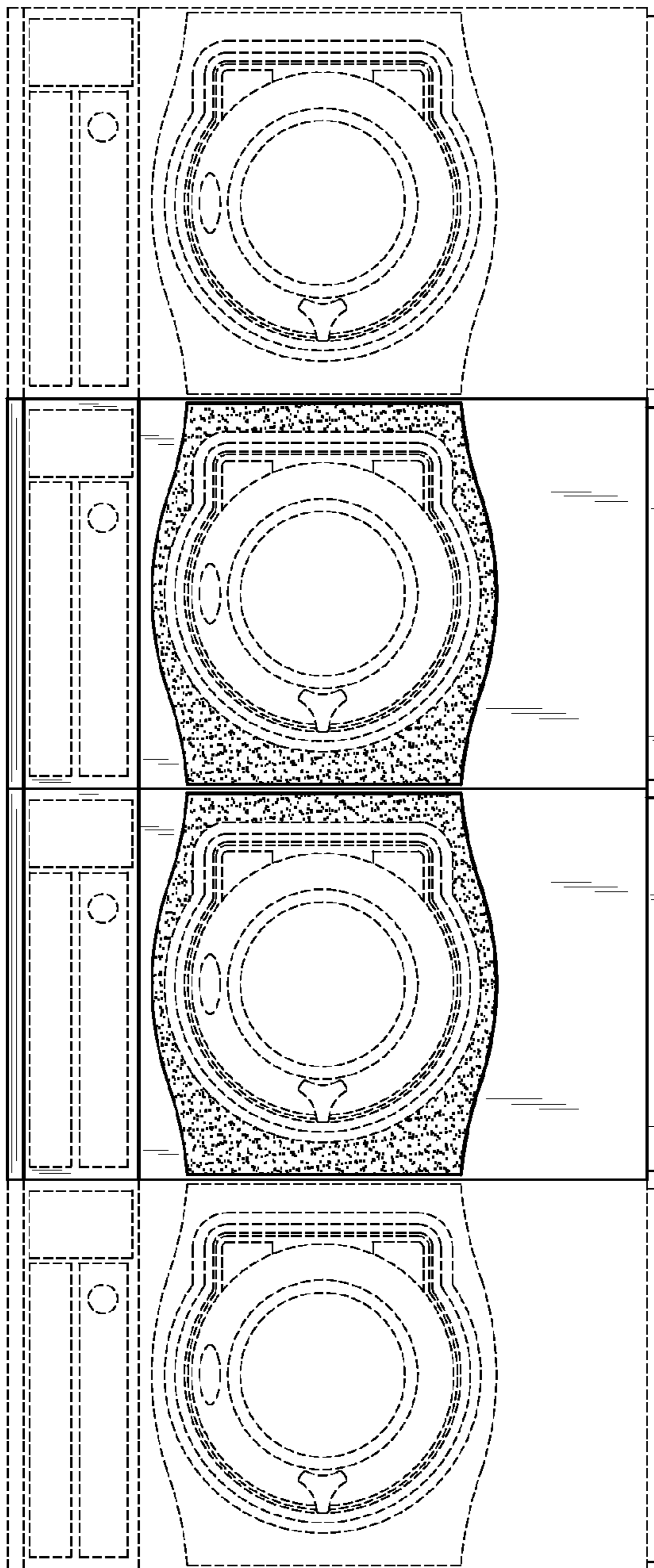


FIG. 2

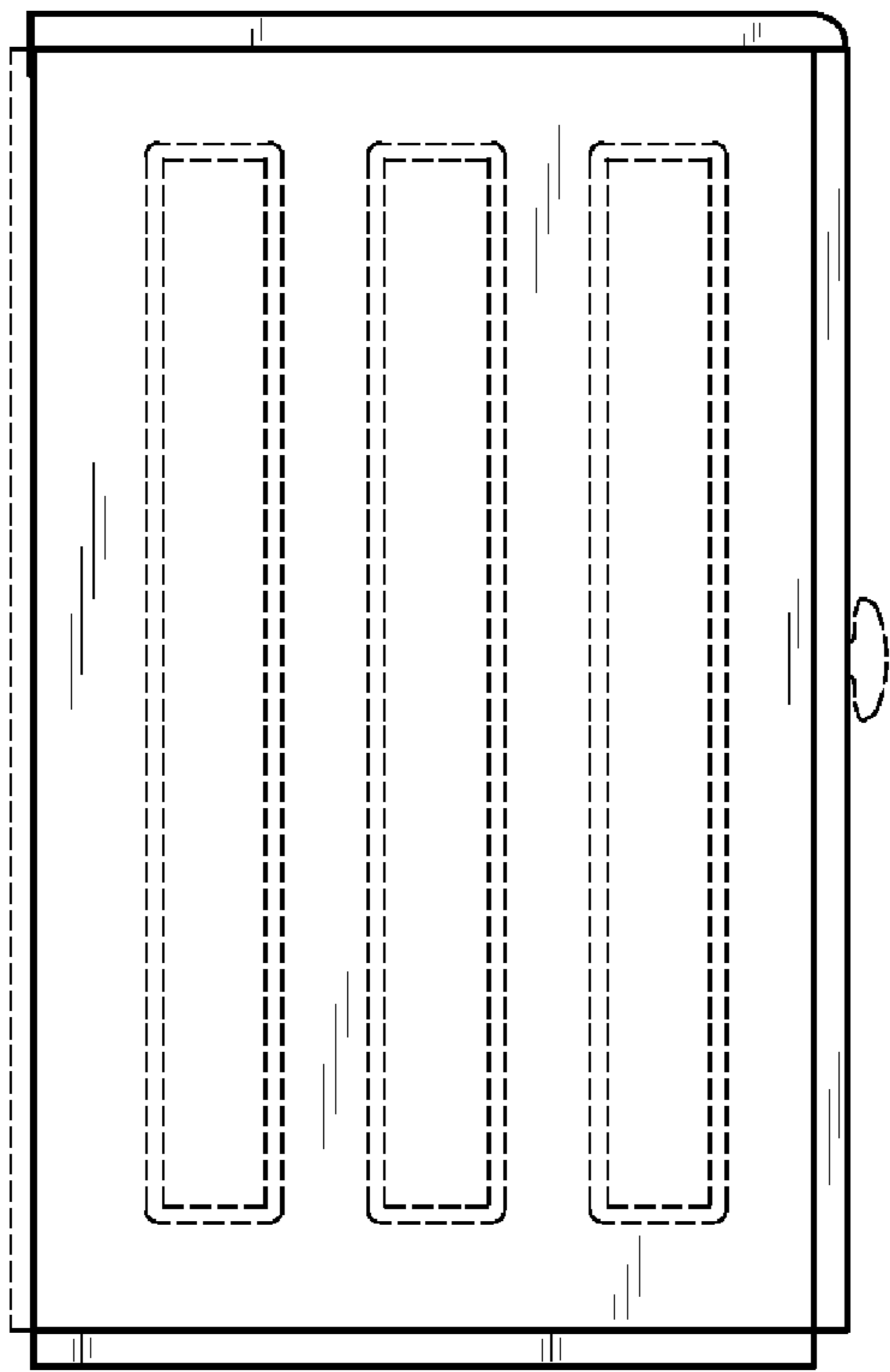


FIG. 5

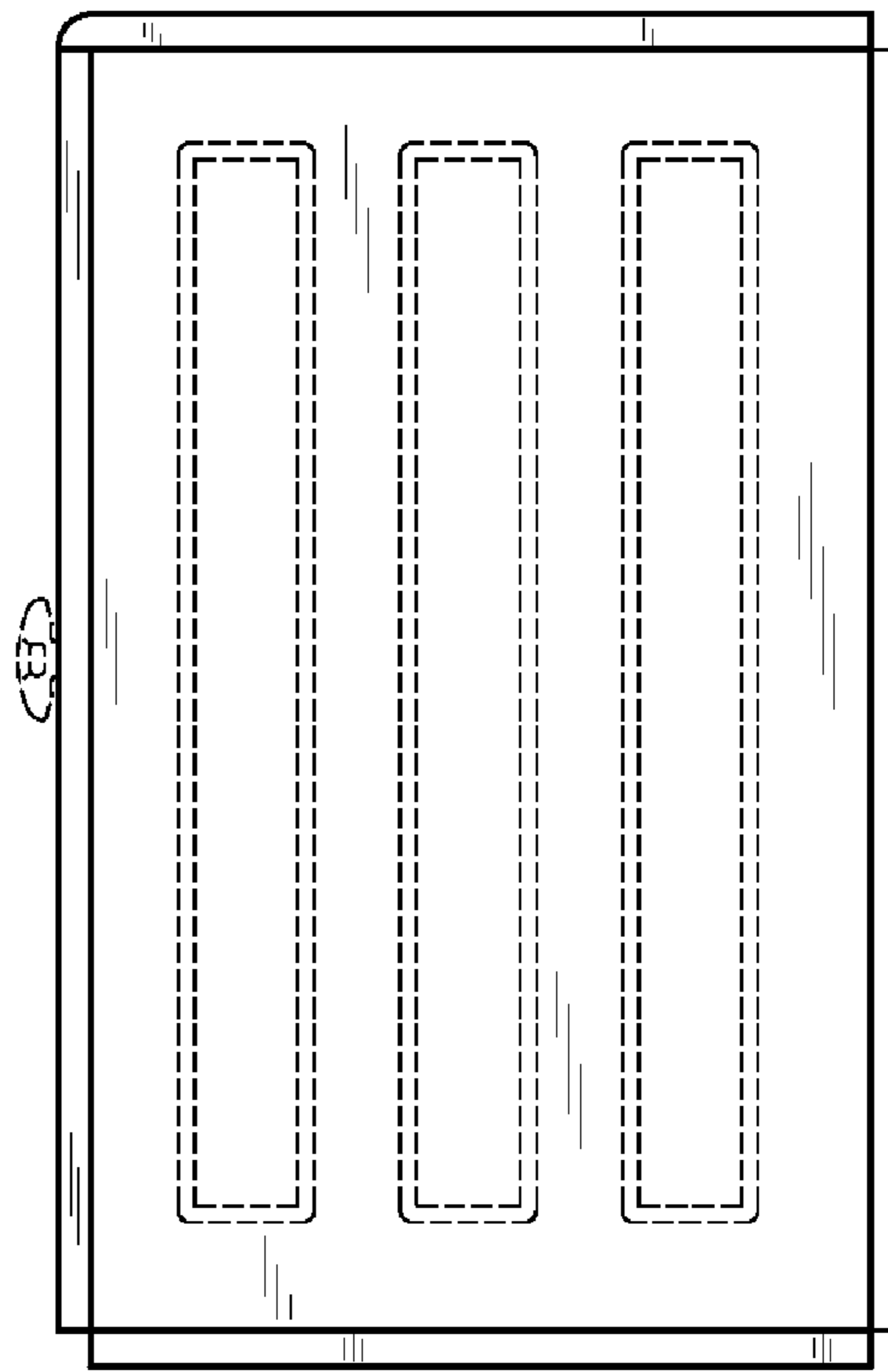


FIG. 4