



US00D584458S

(12) **United States Design Patent**
You et al.

(10) **Patent No.:** **US D584,458 S**
(45) **Date of Patent:** **** Jan. 6, 2009**

(54) **PET CARRIER**

(75) Inventors: **Youn-Fu You**, Chang Hua (TW);
Ying-Jen Chen, Taichung (TW); **Scott Jackubowski**, Castlewood, VT (US);
Chris Jackubowski, Rutland Town, VT (US); **Todd Jackubowski**, Rutland, VT (US)

(73) Assignees: **Link Treasure Limited**, Tortola (VG);
Vermont Juvenile Furniture Mfg. Inc., West Rutland, VT (US)

(**) Term: **14 Years**

(21) Appl. No.: **29/287,077**

(22) Filed: **Jun. 25, 2007**

(30) **Foreign Application Priority Data**

Dec. 26, 2006 (TW) 95307225

(51) **LOC (9) Cl.** **30-02**

(52) **U.S. Cl.** **D30/109**

(58) **Field of Classification Search** D30/108-111,
D30/114-119, 161; 119/161, 163-169, 452-456,
119/459, 461, 472, 474-475, 482, 484-485,
119/489, 496

See application file for complete search history.

(56) **References Cited**

U.S. PATENT DOCUMENTS

D546,005 S * 7/2007 Harper et al. D30/108

D555,292 S * 11/2007 Harper et al. D30/108
2007/0169719 A1* 7/2007 Chang 119/496
2007/0277740 A1* 12/2007 Delman et al. 119/165

* cited by examiner

Primary Examiner—Cathy Anne MacCormac

(74) *Attorney, Agent, or Firm*—Muncy, Geissler, Olds & Lowe, PLLC

(57) **CLAIM**

The ornamental design for a pet carrier, as shown and described.

DESCRIPTION

FIG. 1 is a front, right perspective view of a pet carrier showing our new design;

FIG. 2 is a front elevational view thereof;

FIG. 3 is a rear elevational view thereof;

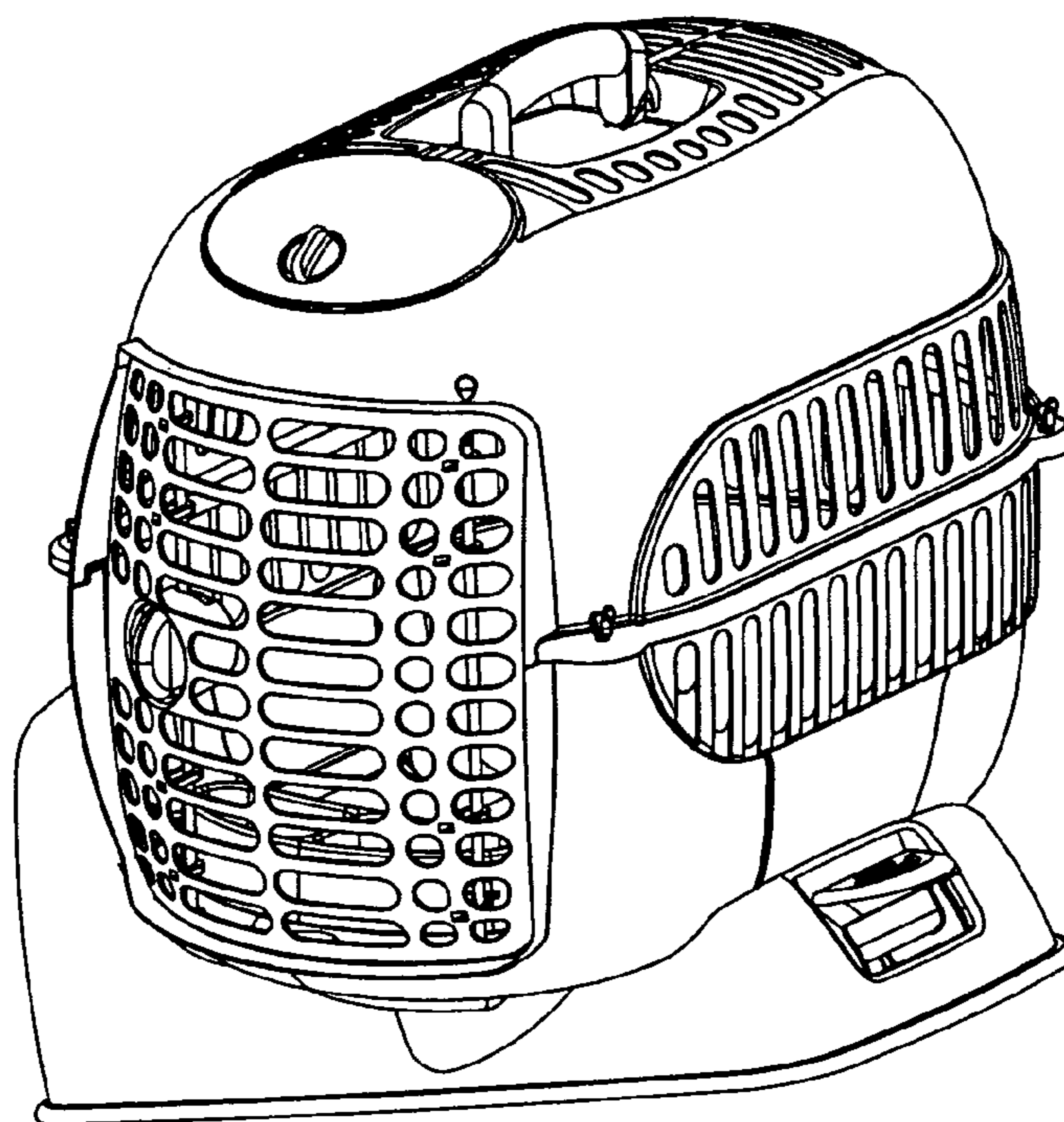
FIG. 4 is a left side view thereof;

FIG. 5 is a right side view thereof;

FIG. 6 is a top plan view thereof; and,

FIG. 7 is a bottom plan view thereof.

1 Claim, 4 Drawing Sheets



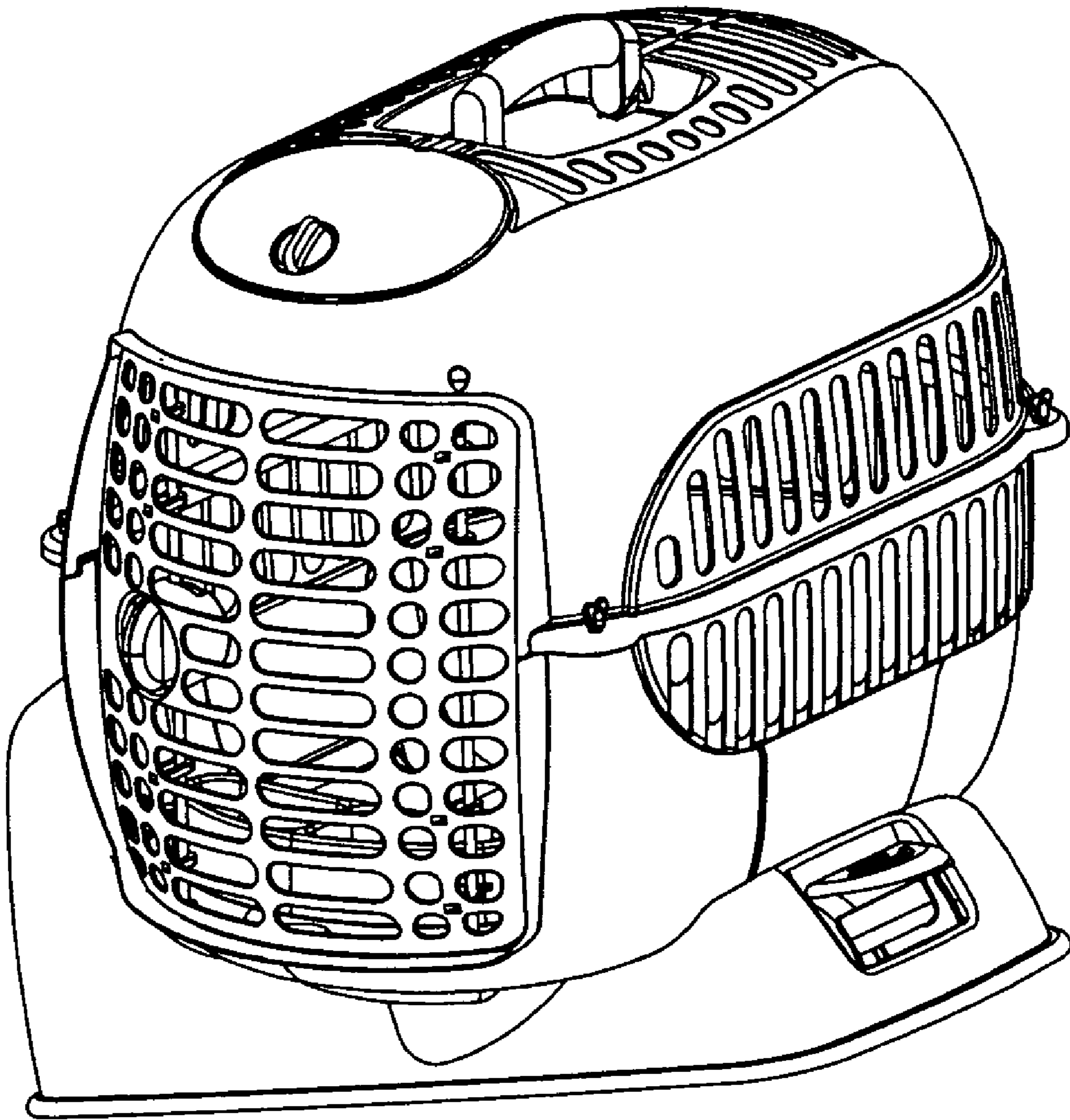


FIG. 1

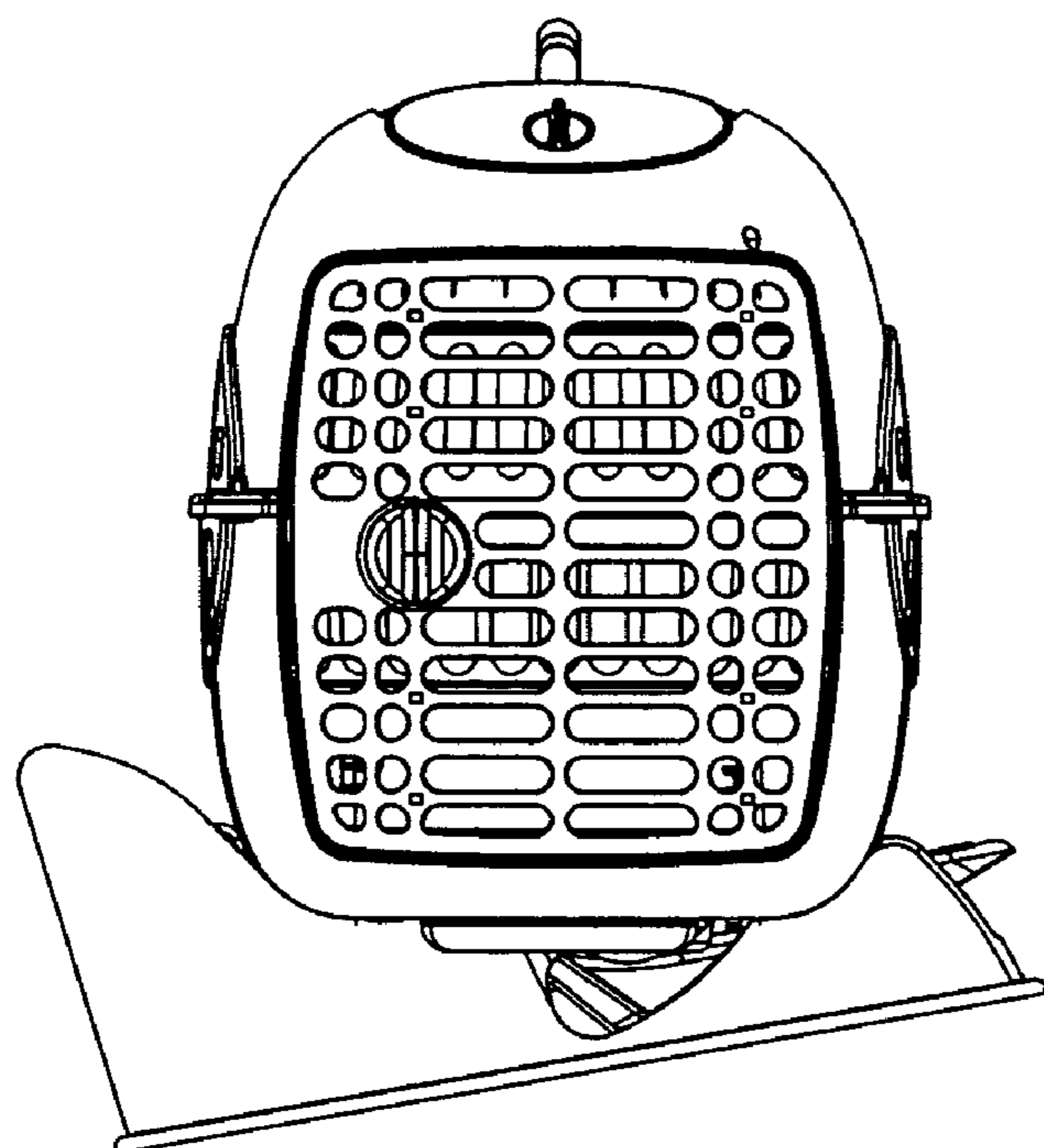


FIG. 2

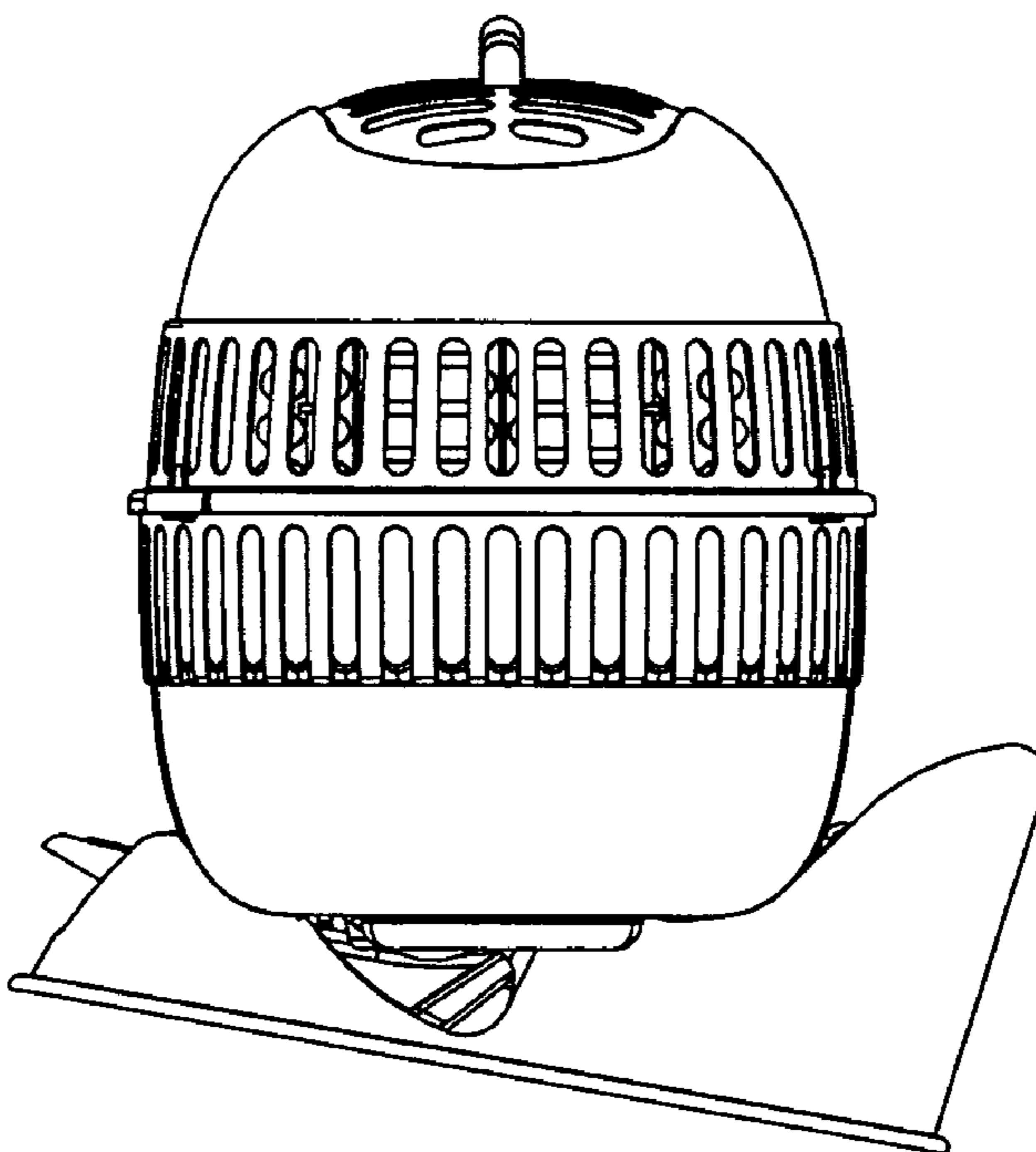


FIG. 3

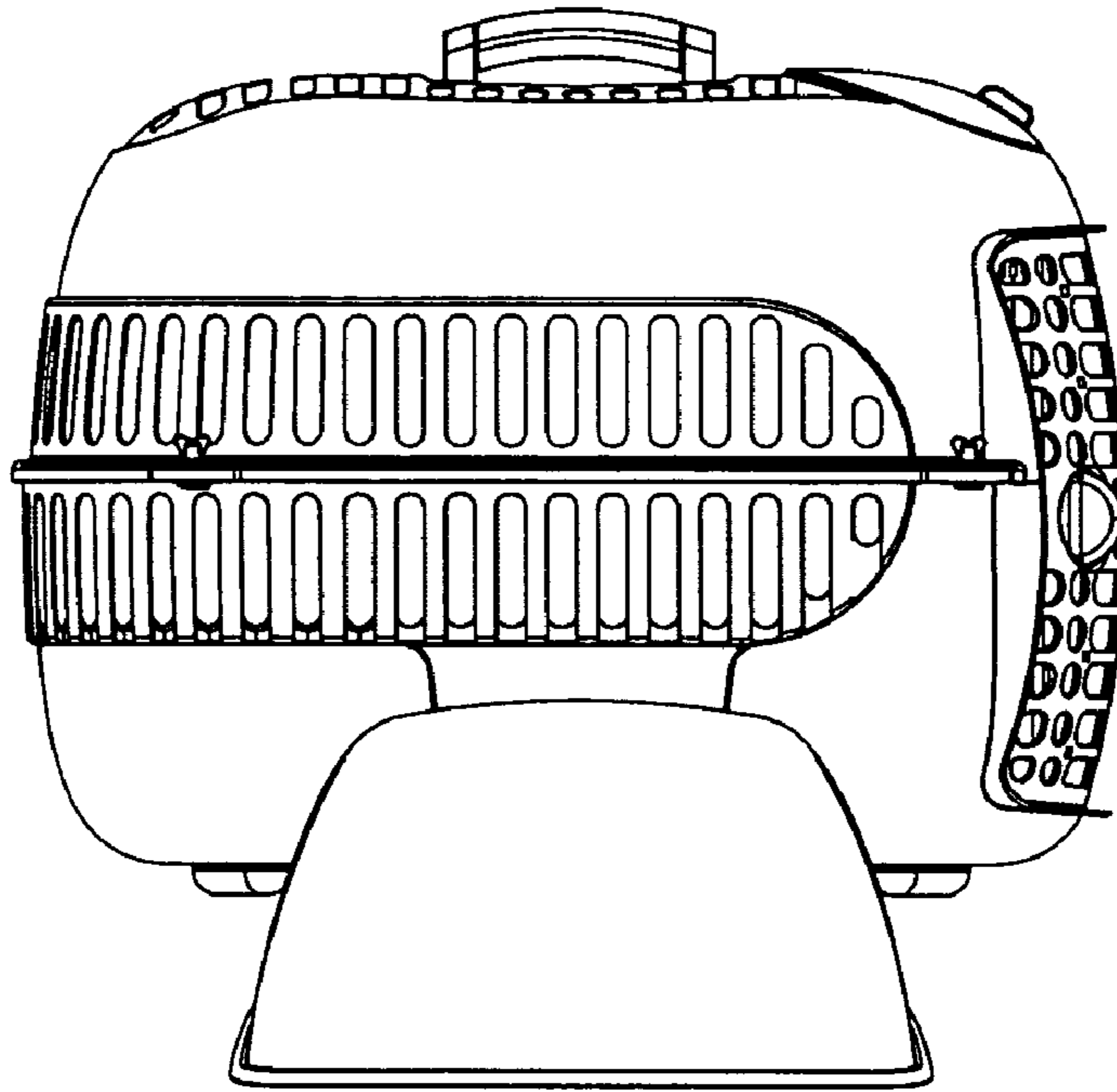


FIG. 4

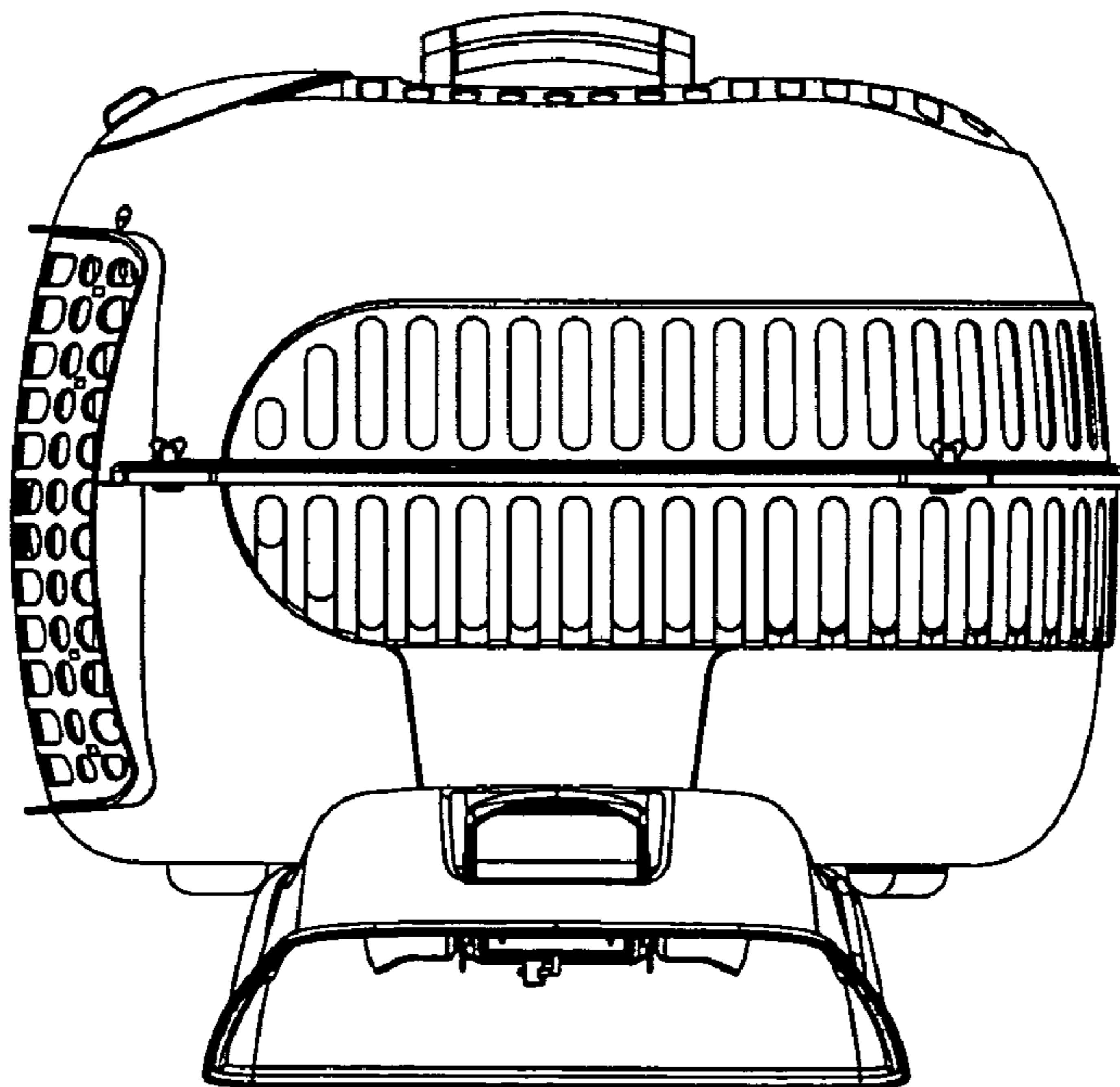


FIG. 5

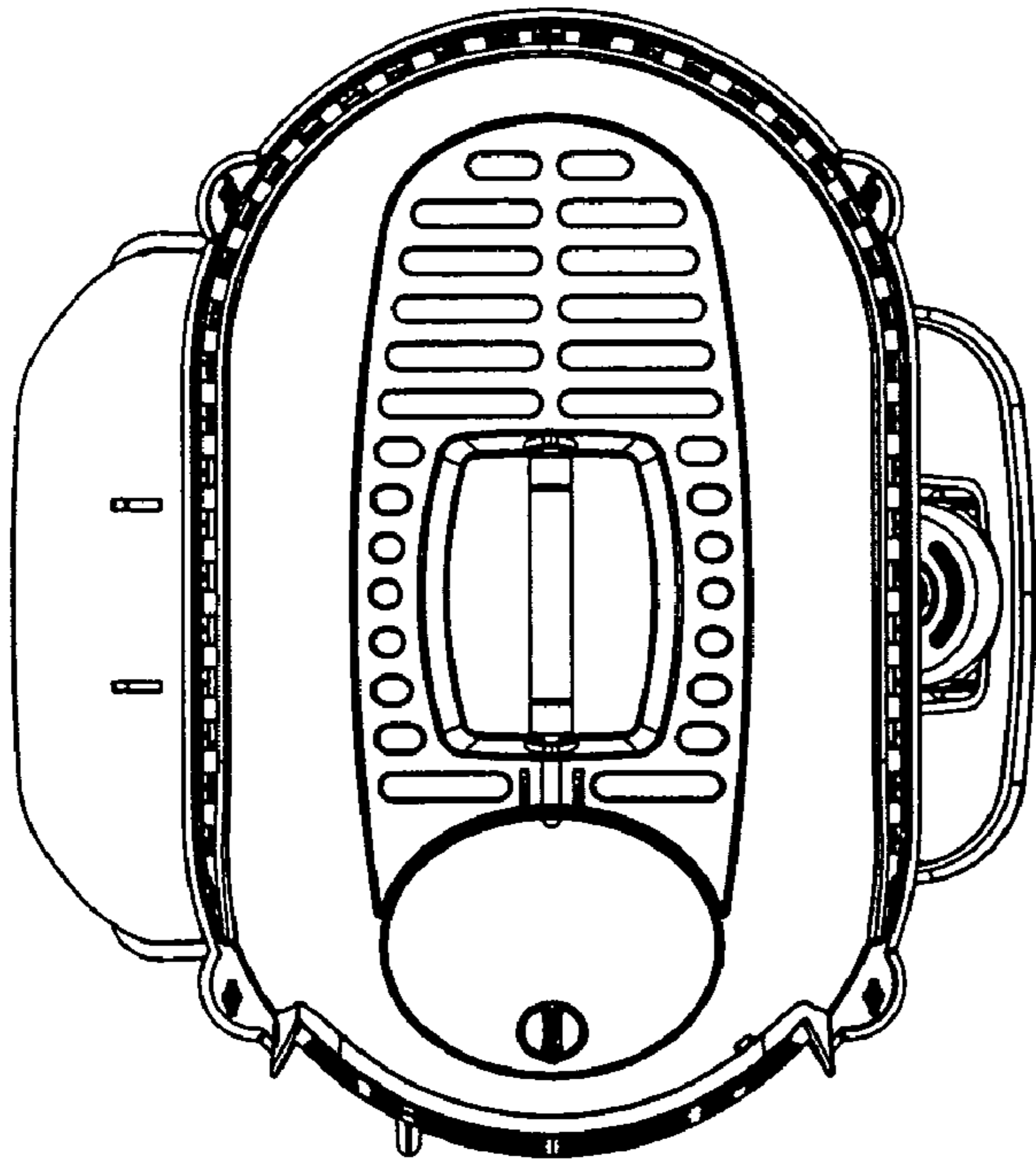


FIG. 6

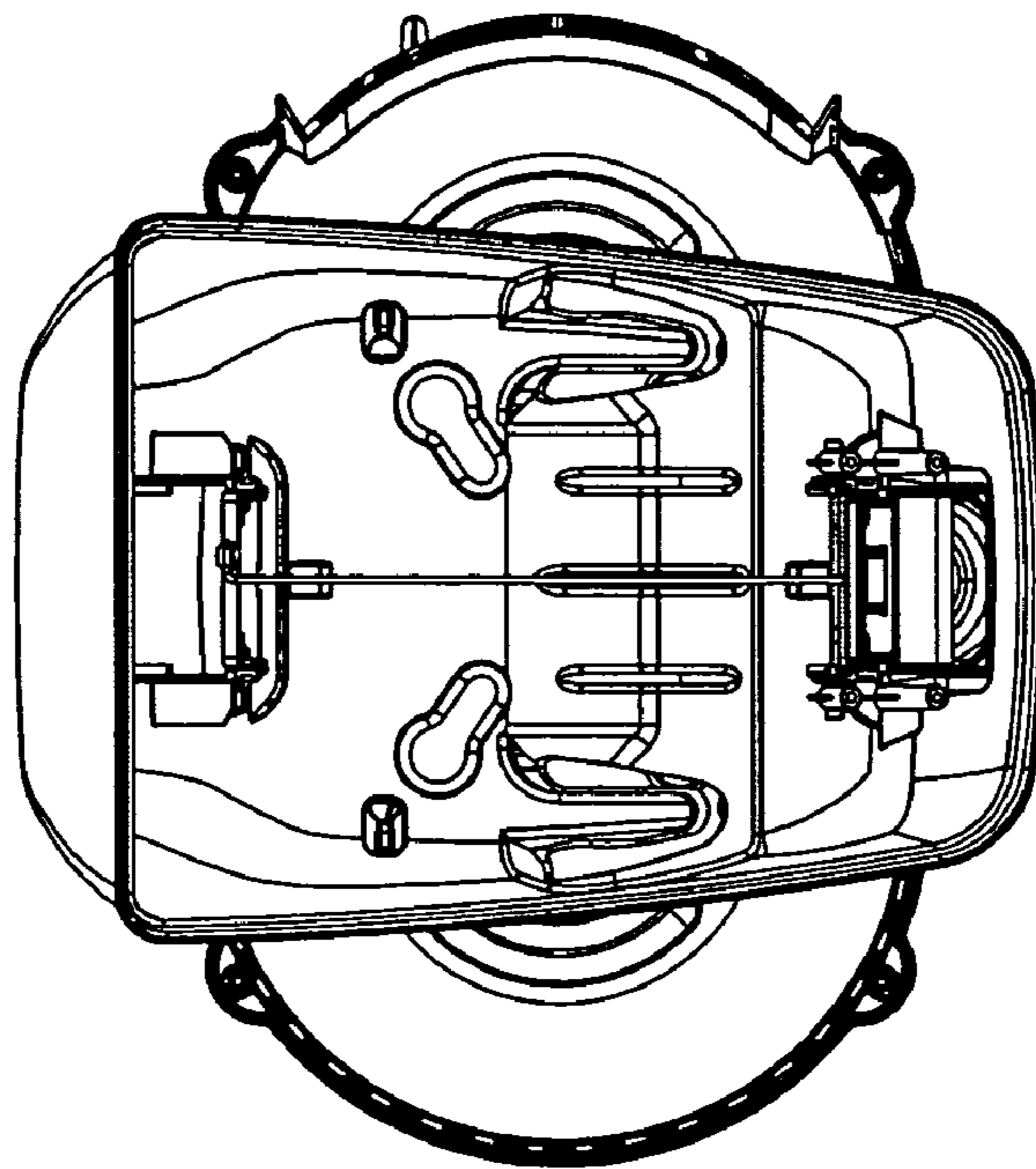


FIG. 7