



US00D584456S

(12) **United States Design Patent**
Ferrara

(10) **Patent No.:** **US D584,456 S**

(45) **Date of Patent:** **** Jan. 6, 2009**

(54) **HELMET LINER CELL**

(75) Inventor: **Vincent R. Ferrara**, Wellesley, MA (US)

(73) Assignee: **Xenith, LLC**, Lowell, MA (US)

(**) Term: **14 Years**

(21) Appl. No.: **29/303,282**

(22) Filed: **Feb. 5, 2008**

(51) **LOC (9) Cl.** **29-02**

(52) **U.S. Cl.** **D29/122**

(58) **Field of Classification Search** D29/102-112, D29/122; D24/110.1-110.4, 191; 267/142-146, 267/113, 64.13, 117; 2/410-414, 416, 422-425, 2/9, 10, 206, 427, 429, 5, 6.3, 6.5, 6.7, 6.8, 2/DIG. 3; 128/857-858

See application file for complete search history.

(56) **References Cited**

U.S. PATENT DOCUMENTS

3,872,511	A *	3/1975	Nichols	2/413
3,882,547	A *	5/1975	Morgan	2/414
4,290,149	A *	9/1981	Aileo	2/414
4,432,099	A *	2/1984	Grick et al.	2/412
4,766,614	A *	8/1988	Cantwell et al.	2/414
D364,487	S *	11/1995	Tutton et al.	D29/122
6,389,607	B1 *	5/2002	Wood	2/425
D475,486	S *	6/2003	Ide et al.	D29/122

6,591,428	B2 *	7/2003	Halstead et al.	2/413
D491,695	S *	6/2004	Long	D29/122
6,934,971	B2 *	8/2005	Ide et al.	2/425
7,028,344	B2 *	4/2006	Toth	2/413
D521,191	S *	5/2006	Berger	D29/122
D570,055	S *	5/2008	Ferrara et al.	D29/122
2004/0188898	A1 *	9/2004	Siefermann et al.	267/113

* cited by examiner

Primary Examiner—Ruth McInroy

(74) *Attorney, Agent, or Firm*—Cesari and McKenna, LLP

(57) **CLAIM**

I claim the ornamental design for a helmet liner cell, as shown and described.

DESCRIPTION

FIG. 1 is an isometric view of a helmet liner cell showing my new design;

FIG. 2 is a side elevational view thereof;

FIG. 3 is a top plan view thereof;

FIG. 4 is a bottom plan view thereof;

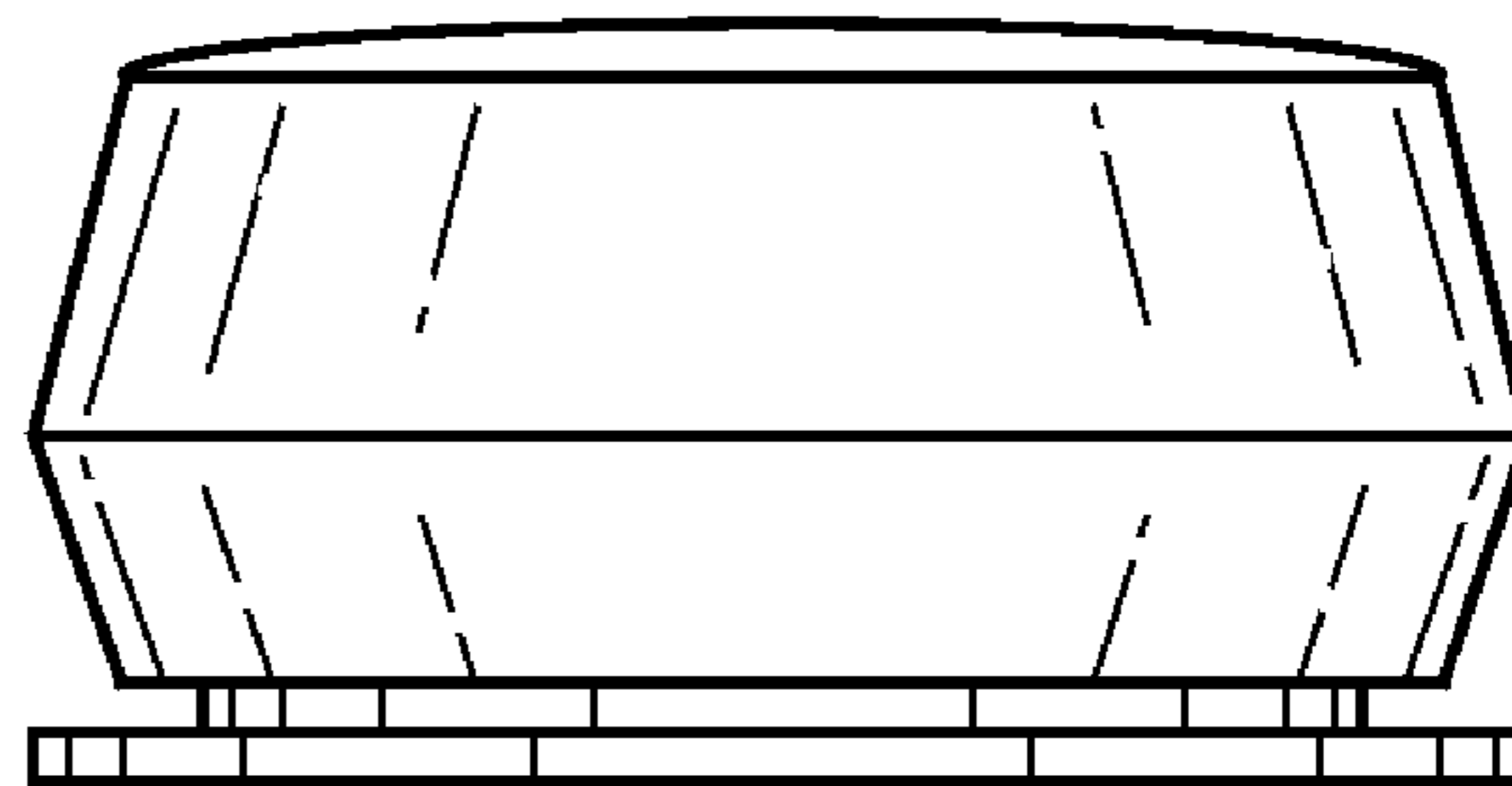
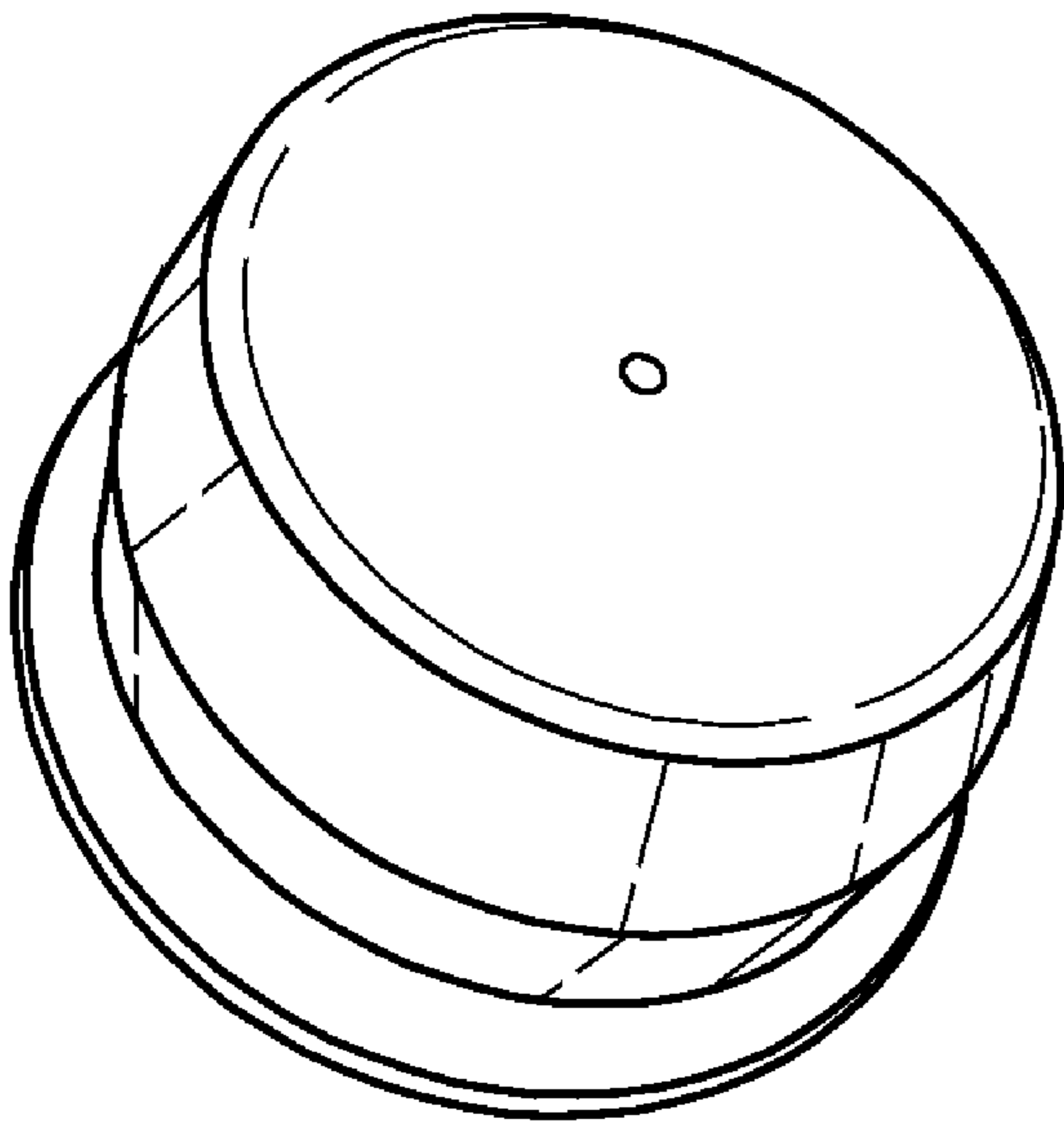
FIG. 5 is an isometric view of a second embodiment thereof;

FIG. 6 is a side elevational view thereof;

FIG. 7 is a top plan view thereof; and,

FIG. 8 is a bottom plan view thereof.

1 Claim, 2 Drawing Sheets



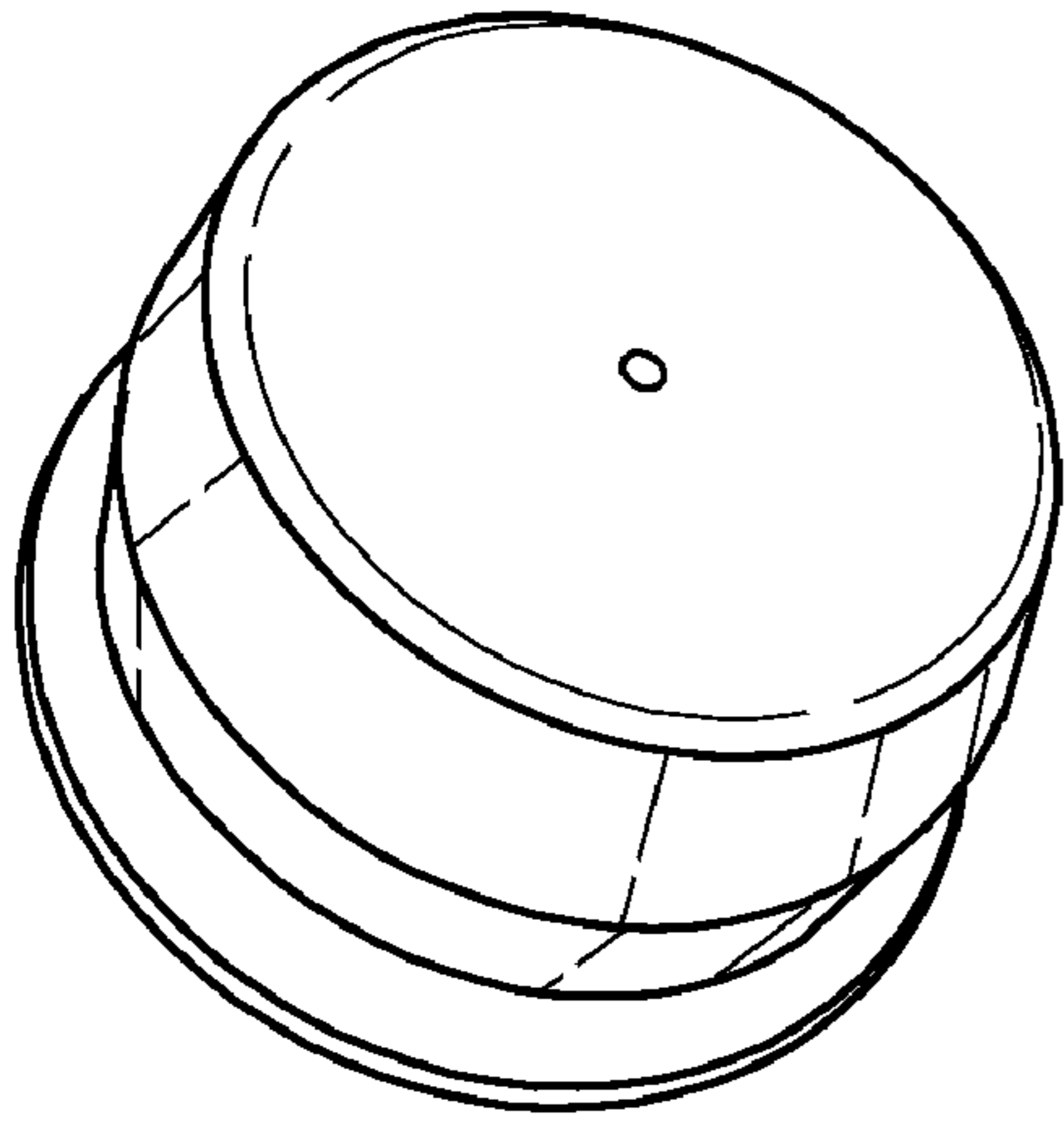


FIG. 1

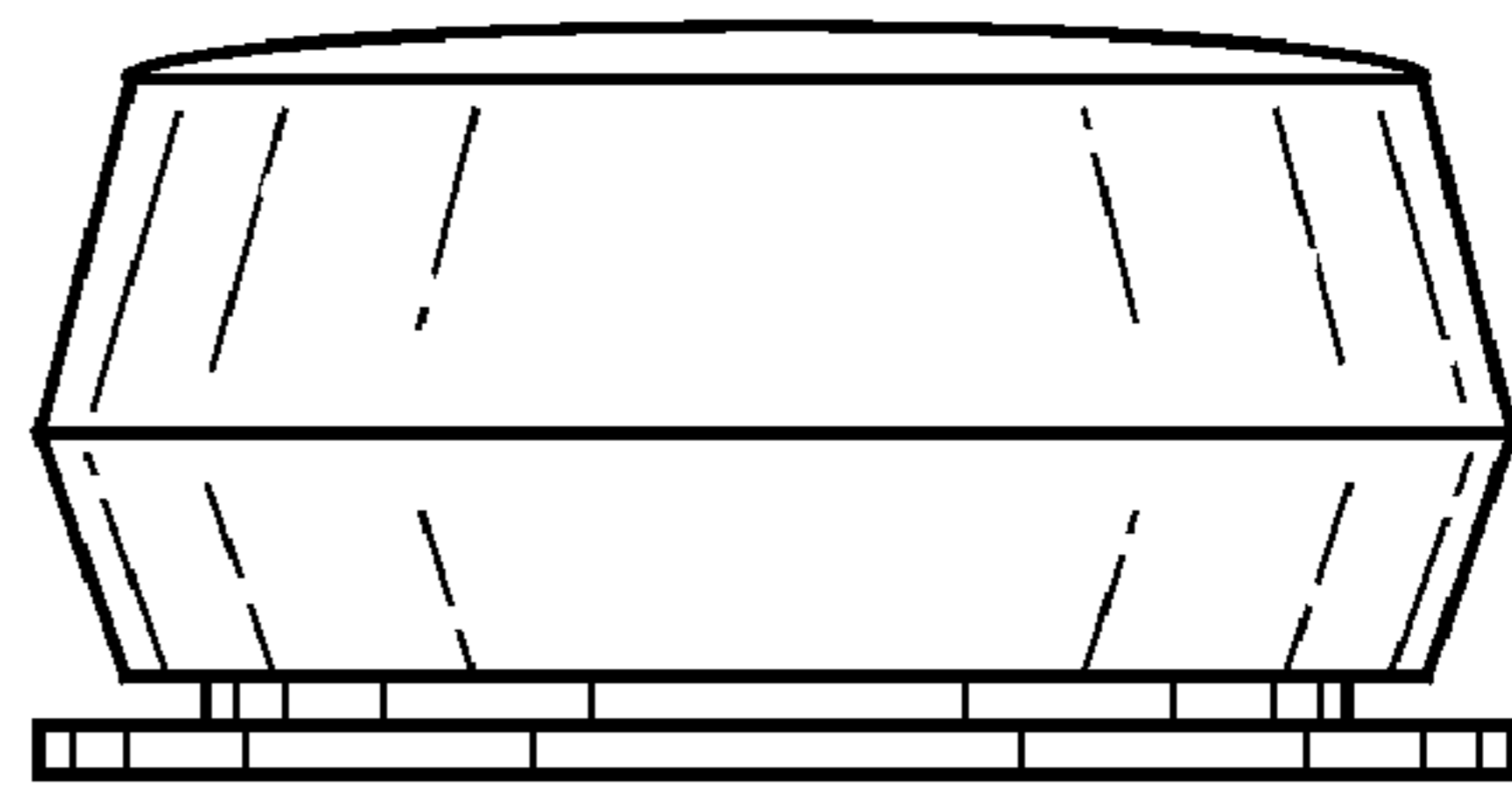


FIG. 2

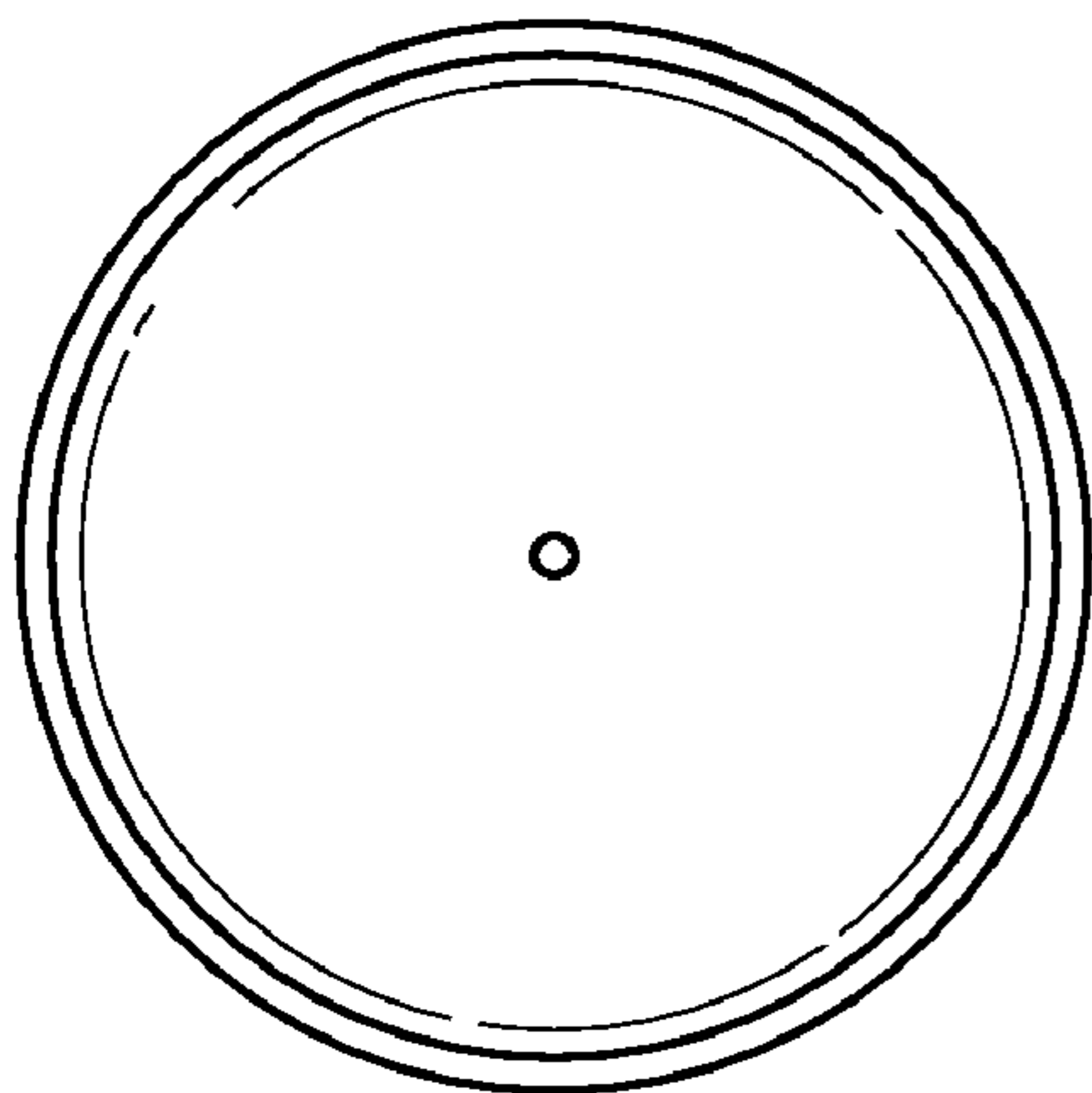


FIG. 3

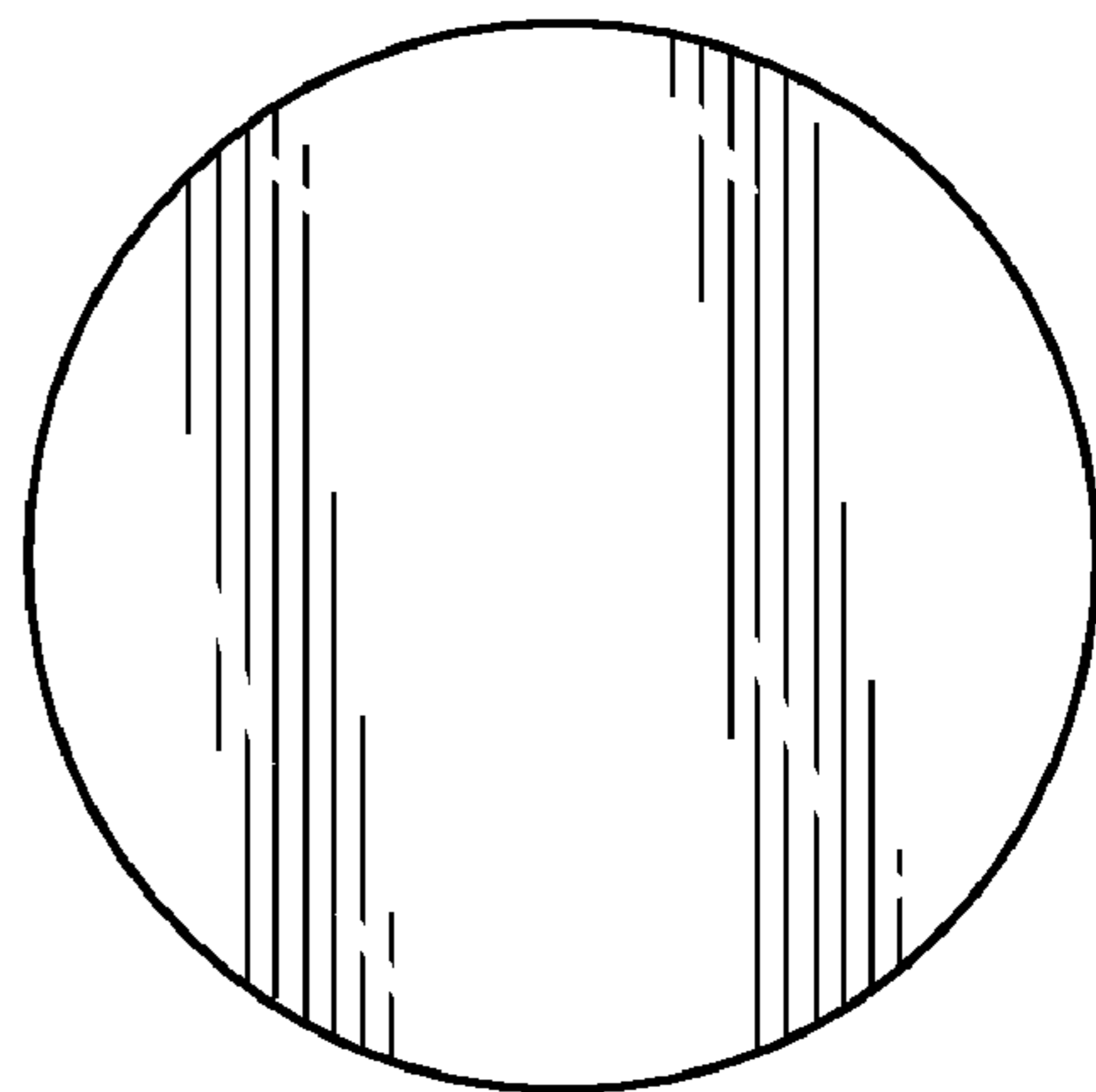


FIG. 4

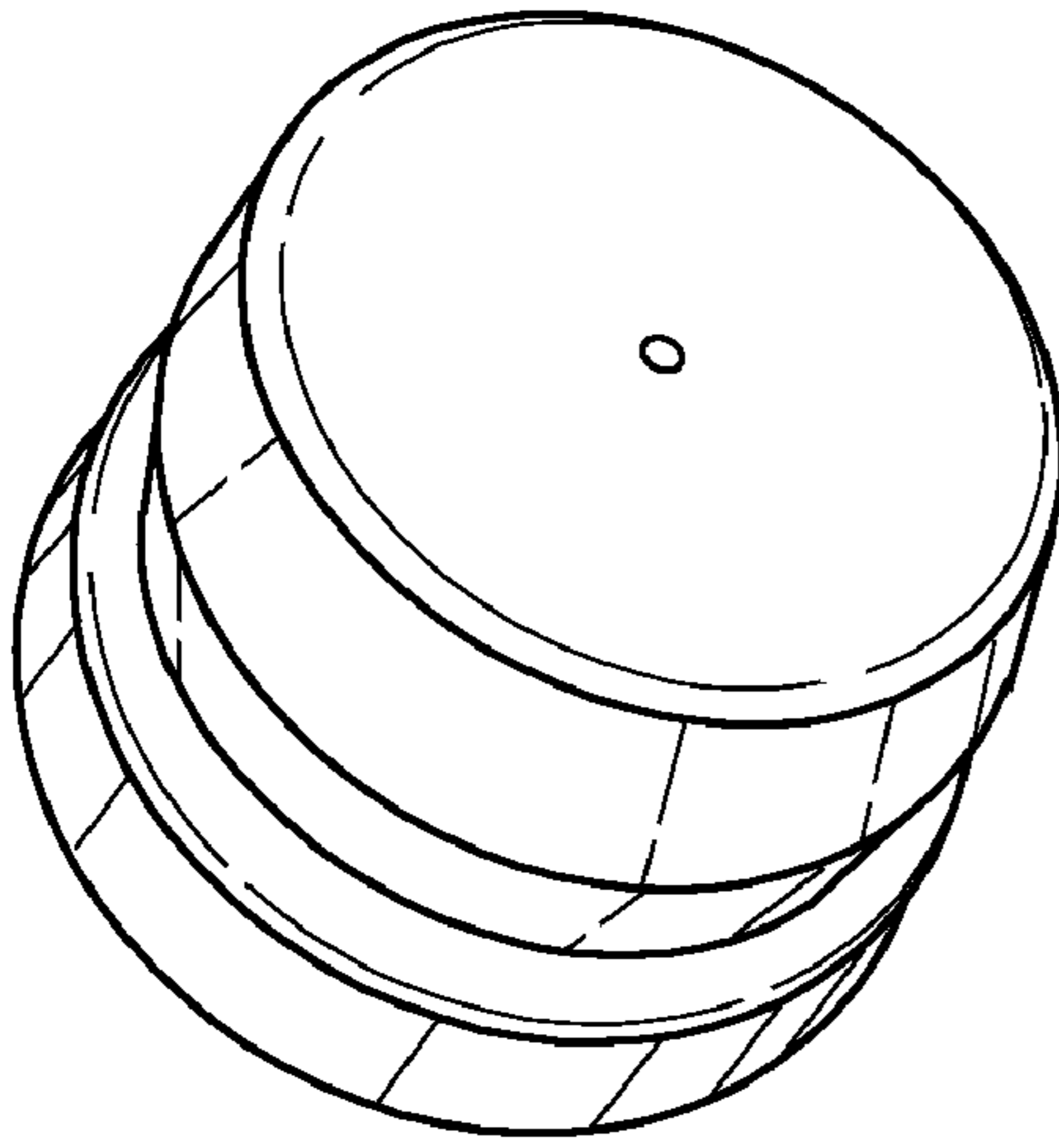


FIG. 5

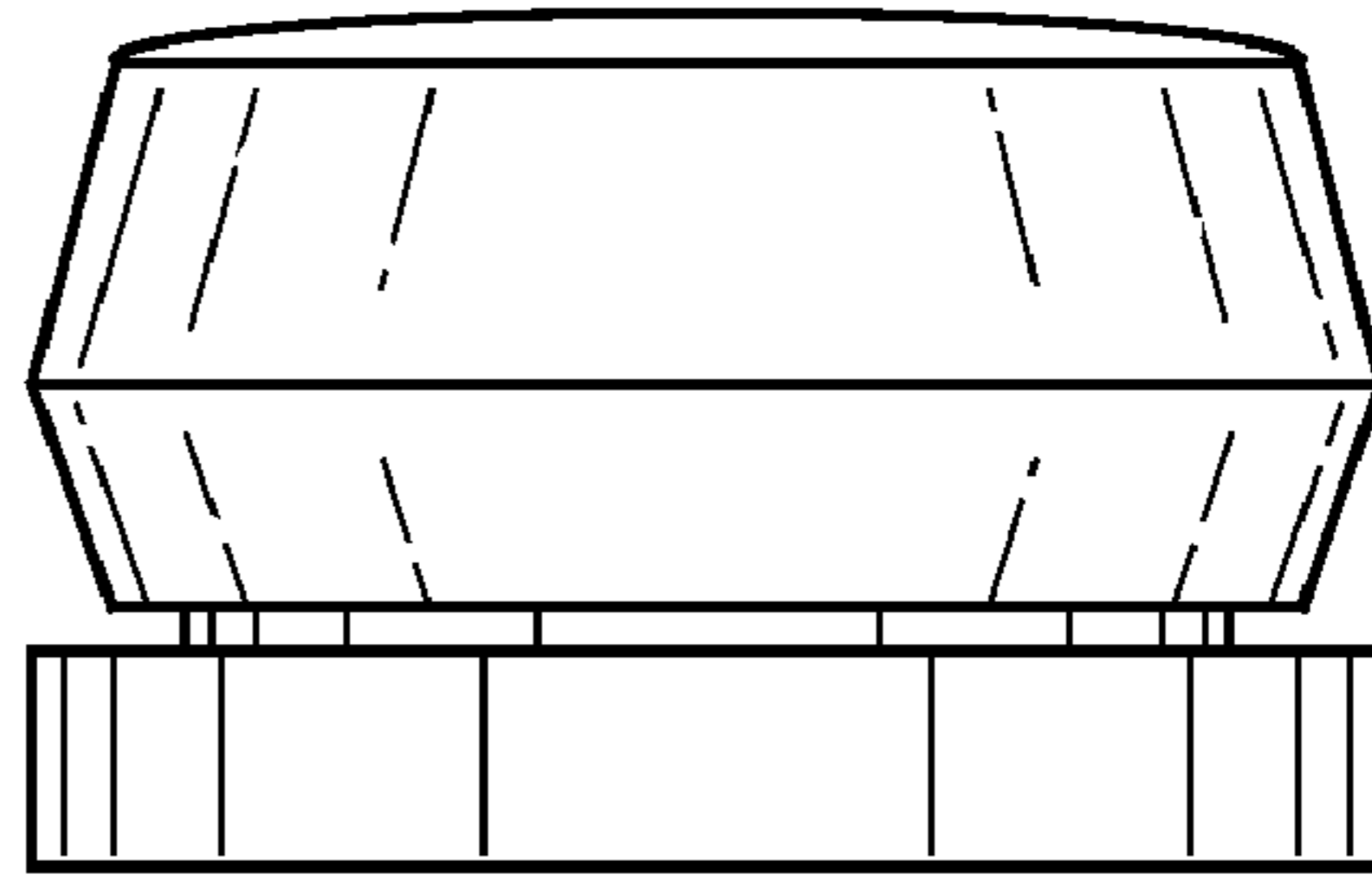


FIG. 6

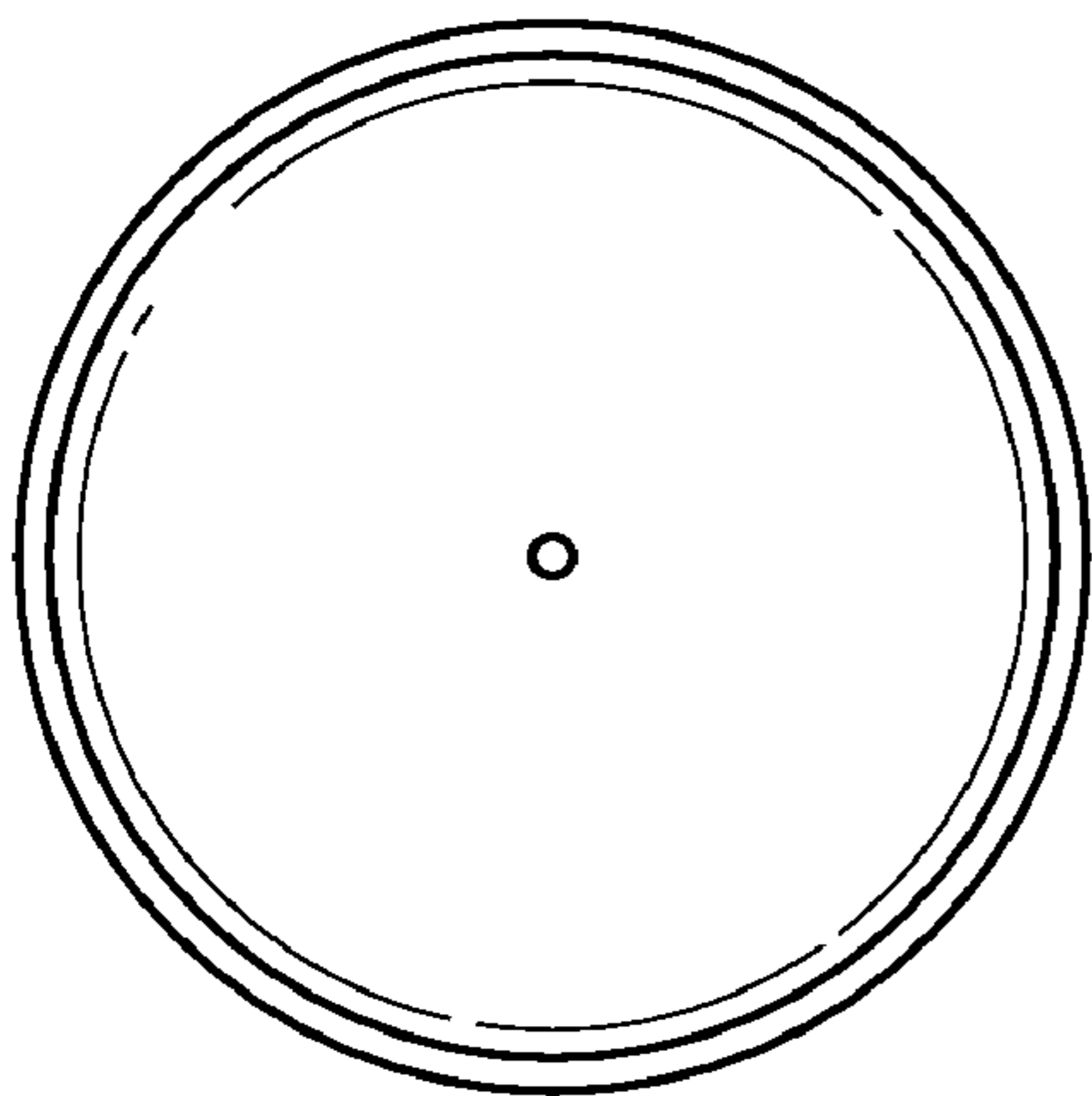


FIG. 7

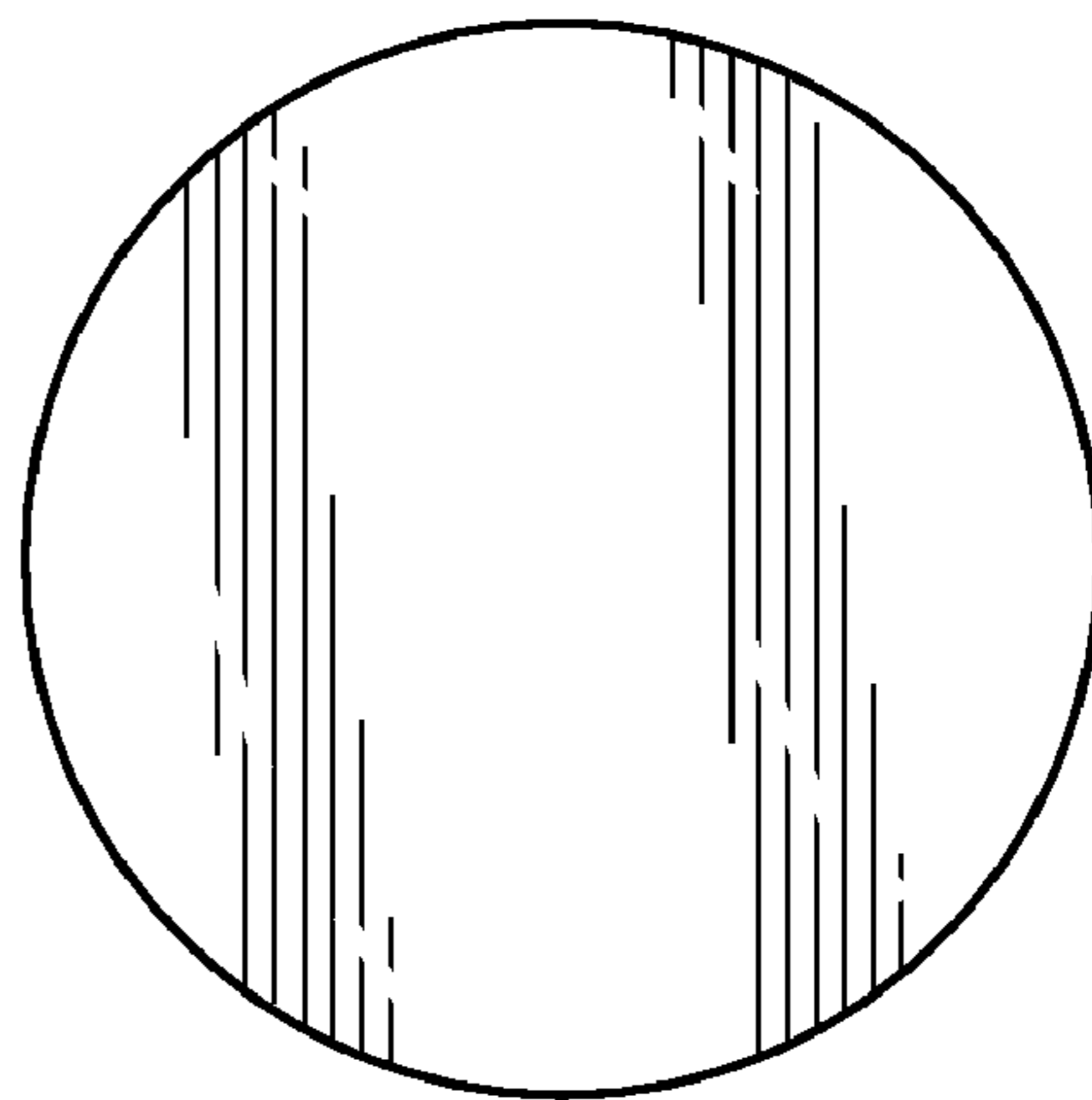


FIG. 8