



US00D584454S

(12) **United States Design Patent**
Tipp et al.

(10) **Patent No.:** **US D584,454 S**

(45) **Date of Patent:** **** Jan. 6, 2009**

(54) **COMBINED DENTAL PICK AND SHEATH**

D549,880 S * 8/2007 Tran D28/65

* cited by examiner

(76) Inventors: **Ronald F. Tipp**, 1524 S. 6th St. W., P.O.
Box 3778, Missoula, MT (US) 59806;
Raymond P. Tipp, 909 Simons St., P.O.
Box 3778, Missoula, MT (US) 59806

Primary Examiner—Janice E Seeger
Assistant Examiner—Zenia I Bennett

(**) Term: **14 Years**

(57) **CLAIM**

(21) Appl. No.: **29/293,430**

The ornamental design for a combined dental pick and sheath,
substantially as shown and described.

(22) Filed: **Nov. 26, 2007**

DESCRIPTION

(51) **LOC (9) Cl.** **28-03**

FIG. 1 is a perspective view for my new design for a combined
dental pick and its sheath;

(52) **U.S. Cl.** **D28/65**

FIG. 2 is a right side elevational view of the of the sheath
portion, which is shown separately for clarity of illustration;

(58) **Field of Classification Search** D28/31,
D28/56, 65–68, 73; D24/152, 154; 433/141,
433/146–147; 132/322–329

FIG. 3 is a right side elevational view of the dental pick, which
is shown separately for clarity of illustration. left side is a
mirror image;

See application file for complete search history.

FIG. 4 is a top plan view, the bottom view is a mirror image
thereof;

(56) **References Cited**

U.S. PATENT DOCUMENTS

FIG. 5 is a top plan view of the sheath, the bottom view is
identical;

2,510,194	A *	6/1950	Thomas	132/325
4,326,548	A *	4/1982	Wagner	132/328
D298,175	S *	10/1988	Kwok	D28/65
D335,721	S *	5/1993	Kimball	D28/65
D345,629	S *	3/1994	Tipp	D28/65
D350,415	S *	9/1994	Wagner	D28/65
D361,158	S *	8/1995	Tipp	D28/65
D375,997	S *	11/1996	Tipp	D22/149

FIG. 6 is a top end elevational view of the sheath;

FIG. 7 is a bottom end elevational view of the dental pick;

FIG. 8 is a bottom end elevational view of the sheath; and,

FIG. 9 is an exploded perspective view of the combined dental
pick and sheath.

1 Claim, 3 Drawing Sheets

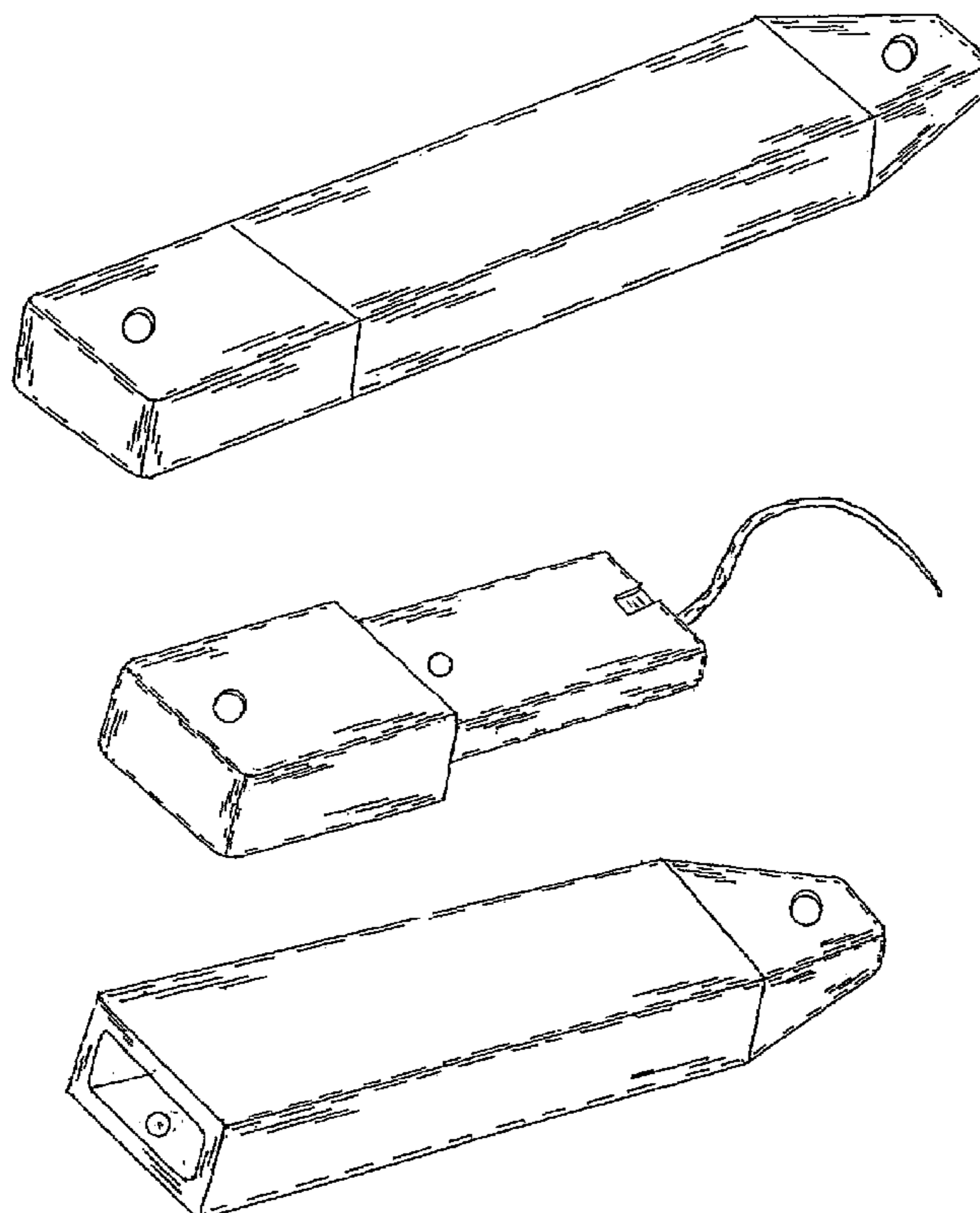


FIG. 1

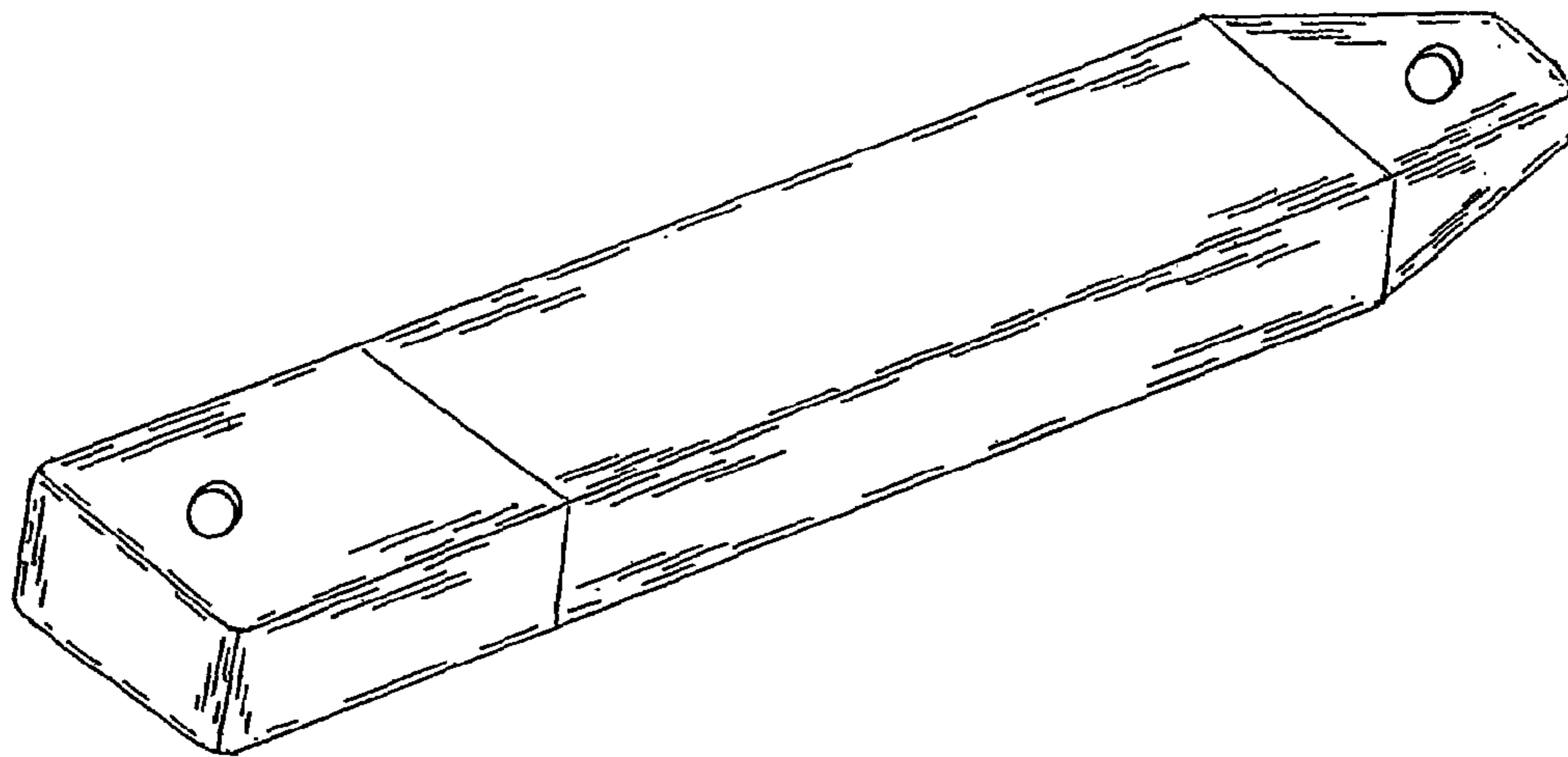


FIG. 2

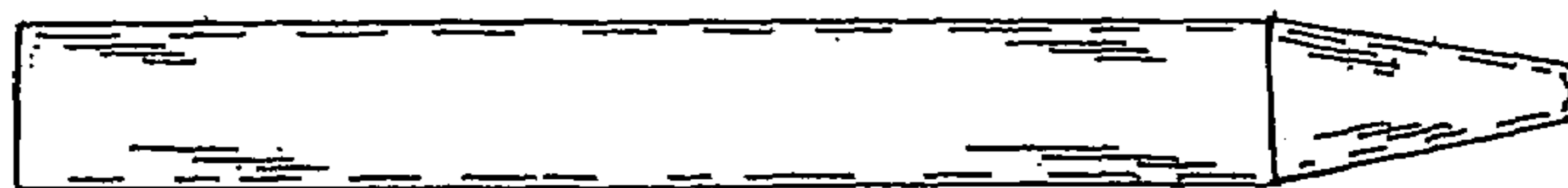


FIG. 3

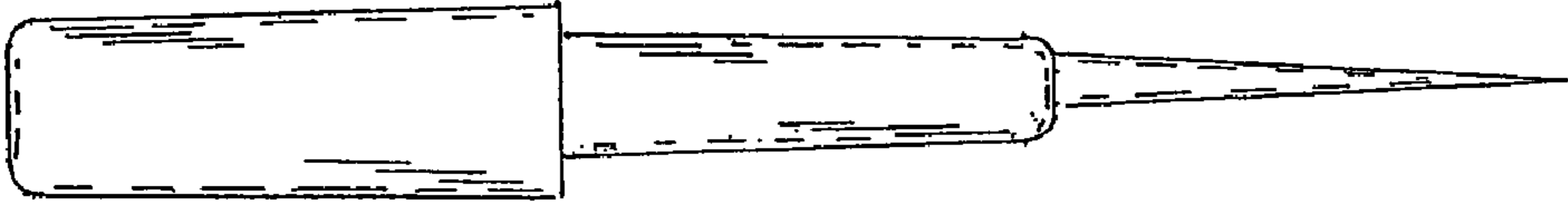


FIG. 4

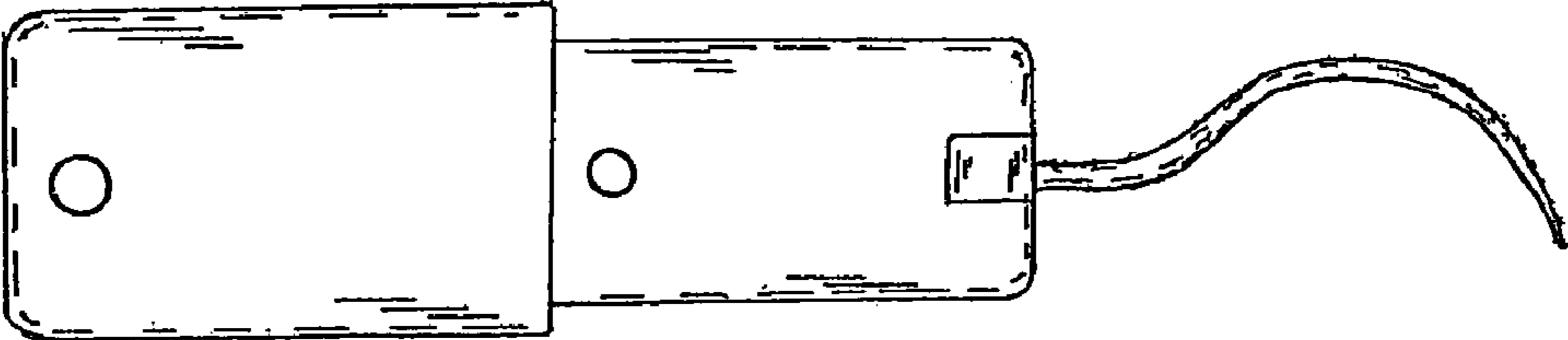


FIG. 5

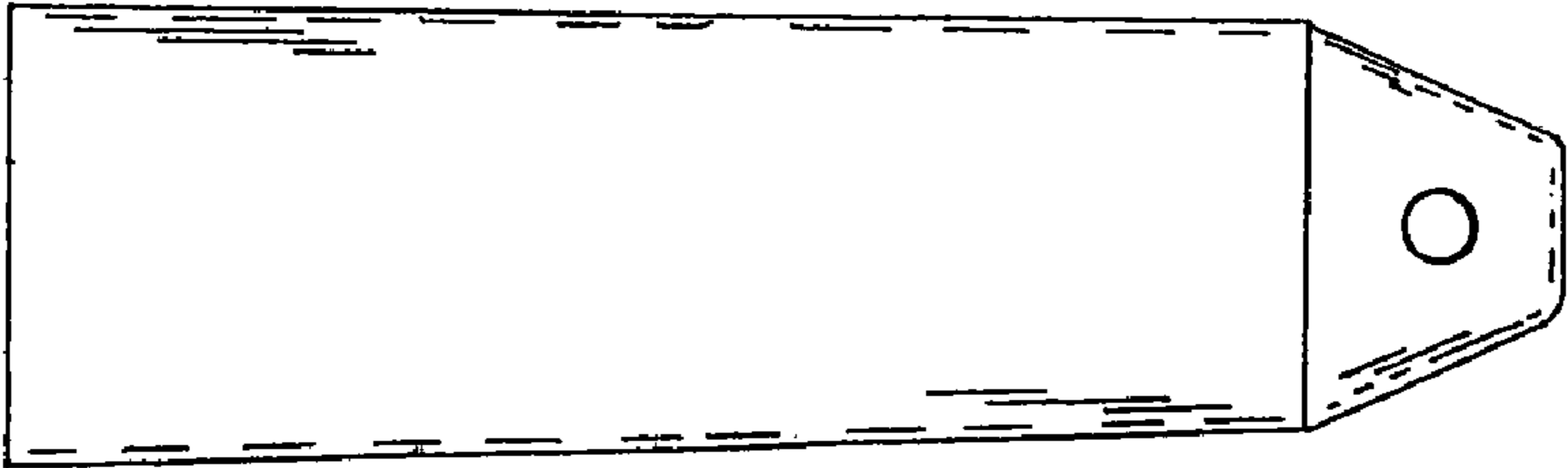


FIG. 6

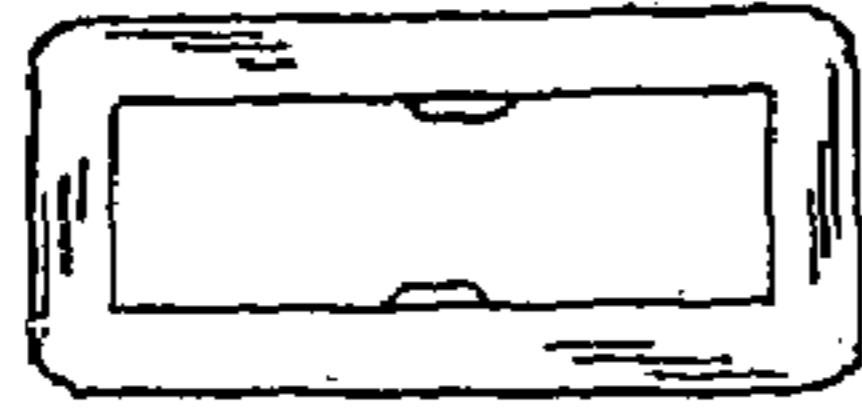


FIG. 7

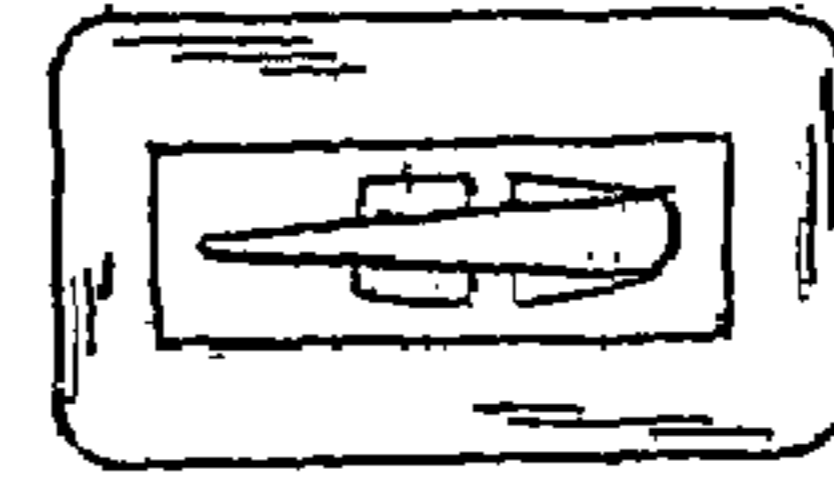


FIG. 8

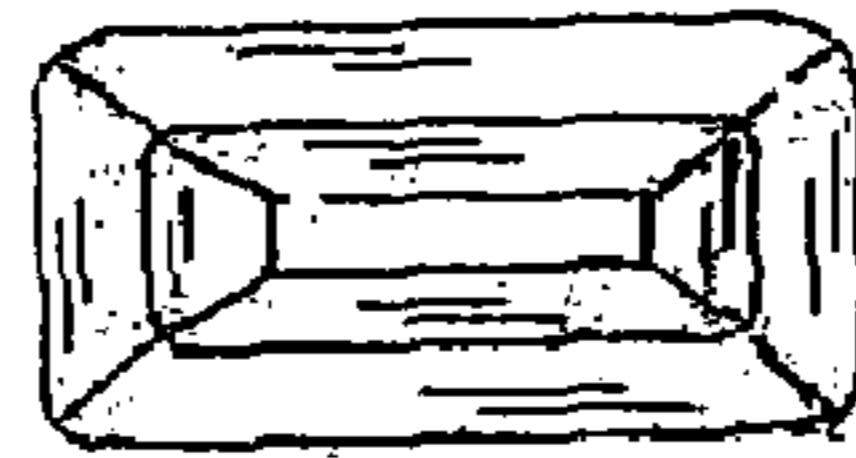


FIG. 9

