



US00D584449S

(12) **United States Design Patent**  
**Shaljian**

(10) **Patent No.:** **US D584,449 S**  
(45) **Date of Patent:** **\*\* Jan. 6, 2009**

- (54) **TWEEZERS**
- (75) Inventor: **Vartan Shaljian**, Tarzana, CA (US)
- (73) Assignee: **Tweezlight International LLC**, North Hollywood, CA (US)
- (\*\*) Term: **14 Years**
- (21) Appl. No.: **29/301,212**
- (22) Filed: **Feb. 15, 2008**
- (51) **LOC (9) Cl.** ..... **28-03**
- (52) **U.S. Cl.** ..... **D28/55; D24/143**
- (58) **Field of Classification Search** ..... D28/55;  
D24/143; 606/210-211; 294/99.2  
See application file for complete search history.

(56) **References Cited**

**U.S. PATENT DOCUMENTS**

D171,264	S	1/1954	Peterson et al.	
2,666,843	A	1/1954	Samuel	
D175,259	S	8/1955	Johnson	
D253,974	S	1/1980	Nalbandian	
D454,981	S *	3/2002	Lamagna et al.	D28/55
D472,675	S *	4/2003	Lamagna	D28/55
D497,215	S	10/2004	Shaljian	
D506,574	S	6/2005	Yip	
D507,678	S *	7/2005	Lamagna	D28/55
D537,208	S *	2/2007	Shaljian	D28/55
D546,002	S *	7/2007	Bowen	D28/55
D561,942	S *	2/2008	Khubani	D28/55

**FOREIGN PATENT DOCUMENTS**

CN	3534955	6/2005
----	---------	--------

CN	200620108407.7	9/2006
CN	2829445	10/2006
CN	200730111758.3	2/2007
CN	200730111764.9	2/2007

**OTHER PUBLICATIONS**

U.S. Appl. No. 29/297,102, filed Nov. 2, 2007, Shaljian.

\* cited by examiner

*Primary Examiner*—Jennifer Rivard

(57) **CLAIM**

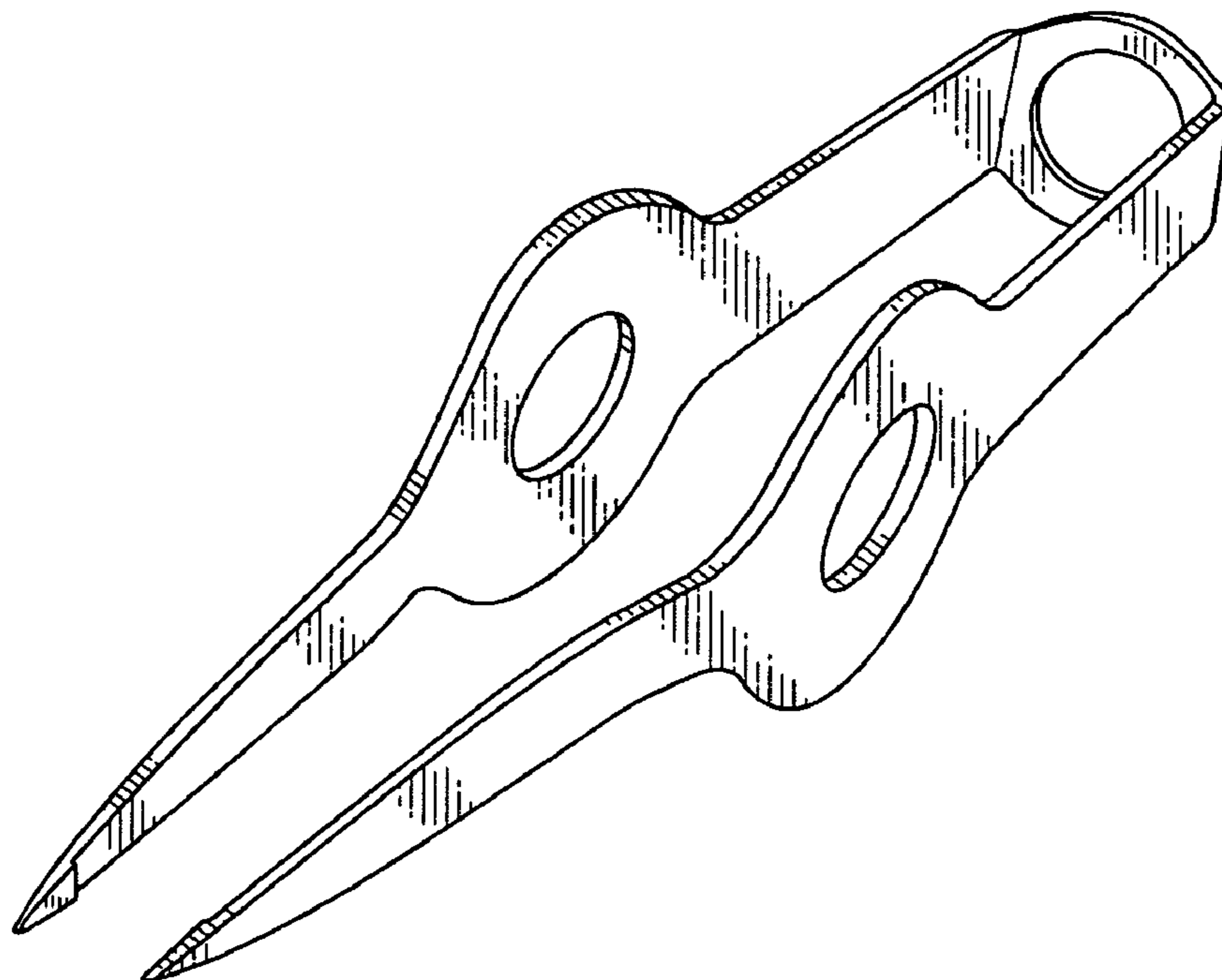
The ornamental design for the tweezers, as shown and described.

**DESCRIPTION**

FIG. 1 is a front right perspective view of the tweezers;  
 FIG. 2 is a front right perspective view with an LED light shown in dashed lines;  
 FIG. 3 is a left side elevational view;  
 FIG. 4 is a right side elevational view;  
 FIG. 5 is a top plan view;  
 FIG. 6 is a bottom plan view;  
 FIG. 7 is a bottom plan view with an LED light shown in dashed lines;  
 FIG. 8 is a front elevational view; and,  
 FIG. 9 is a rear elevational view.

The dashed lines are shown for illustrative purposes only and form no part of the claimed design.

**1 Claim, 5 Drawing Sheets**



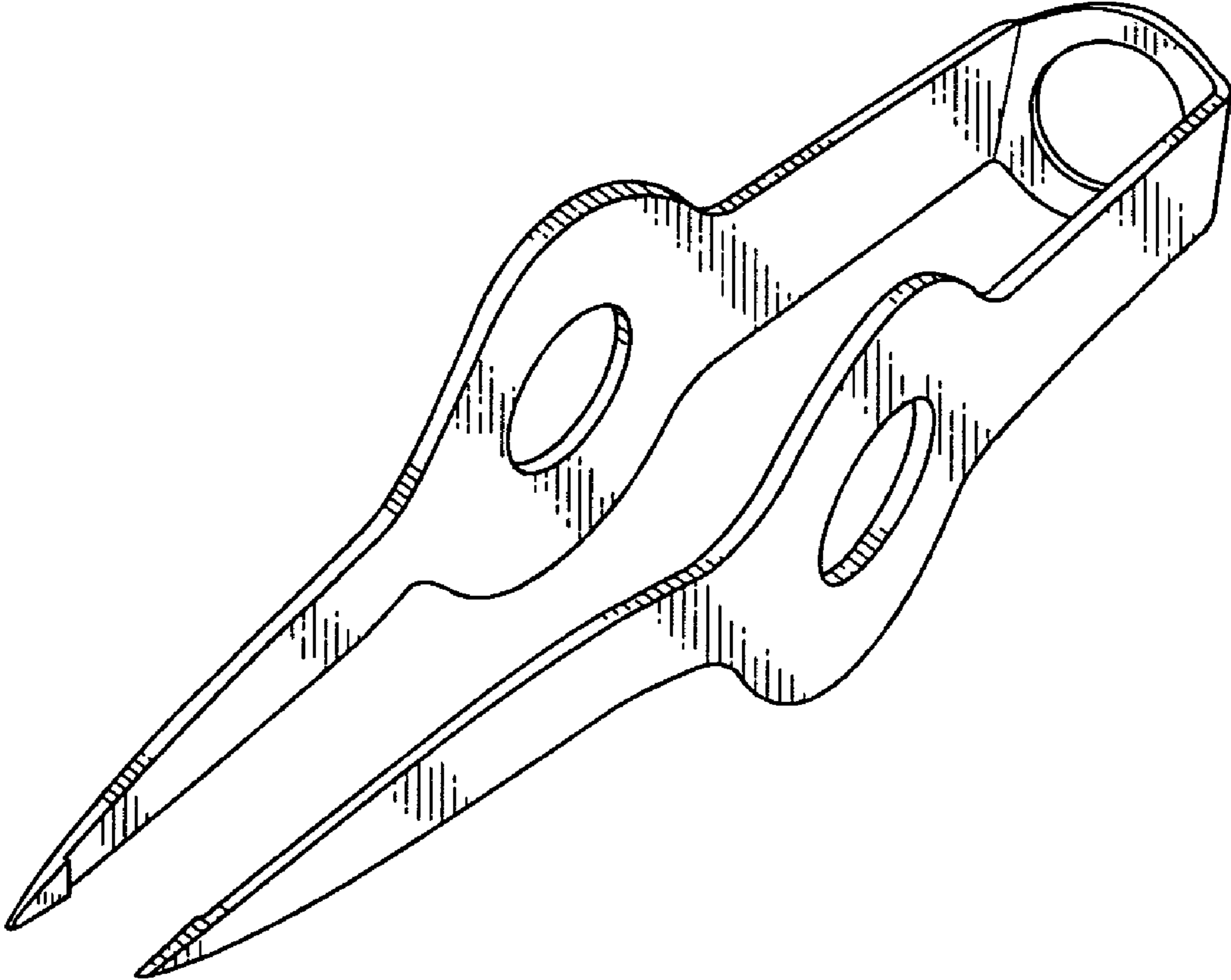


FIG. 1

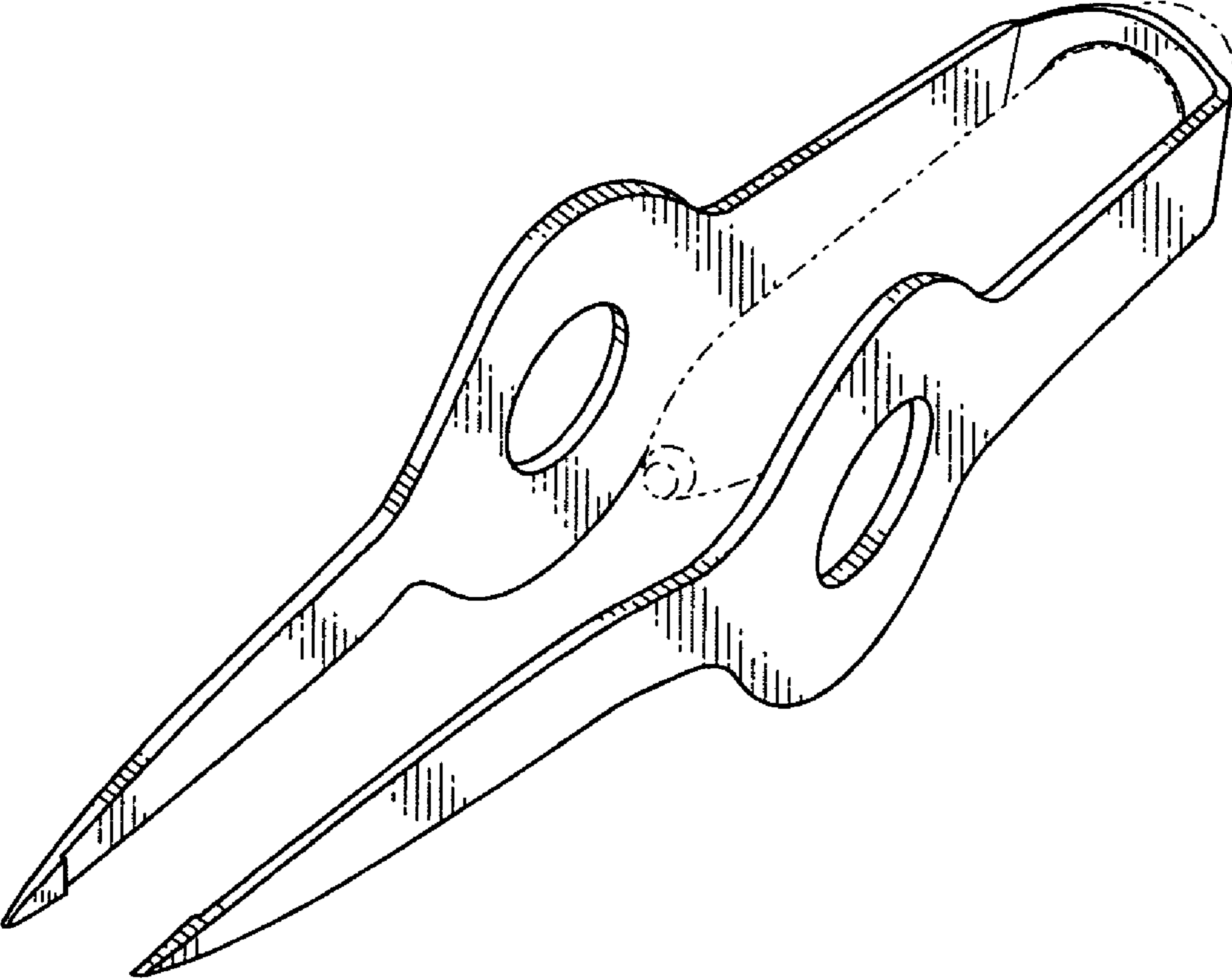


FIG. 2

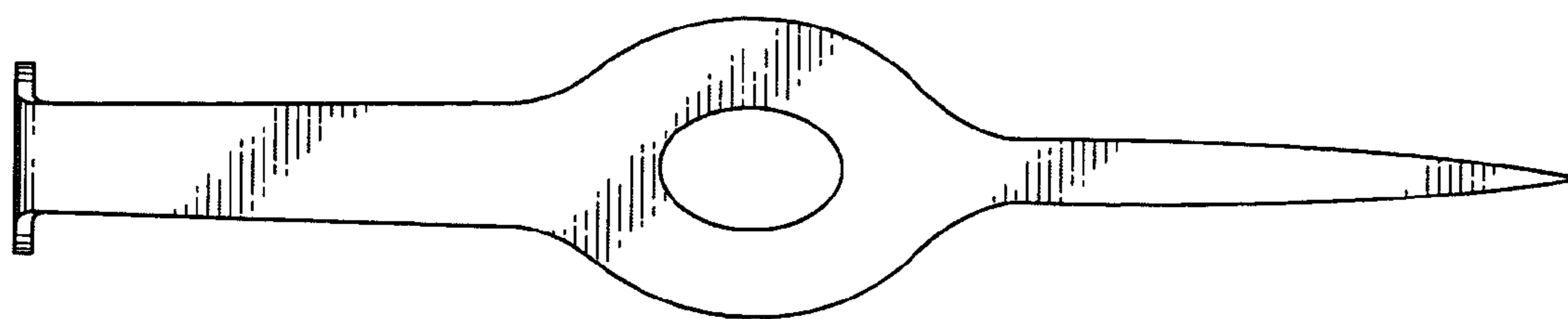


FIG. 3

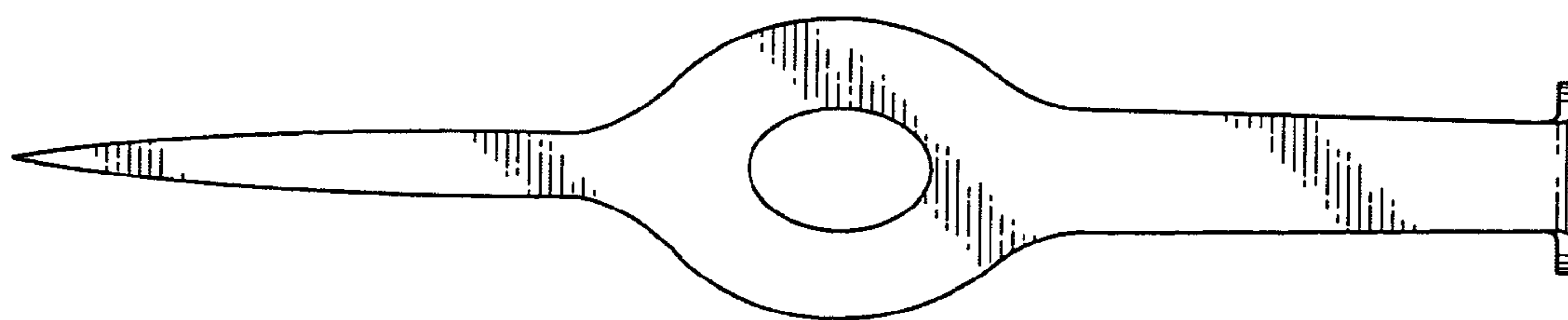


FIG. 4

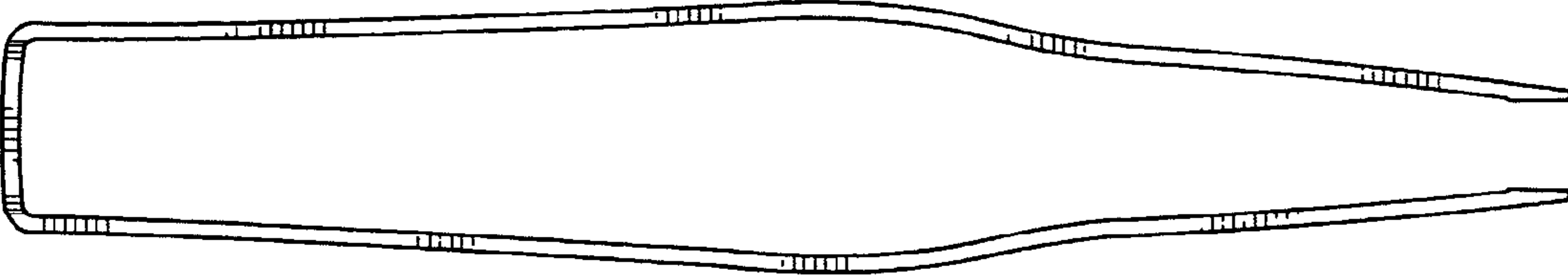


FIG. 5

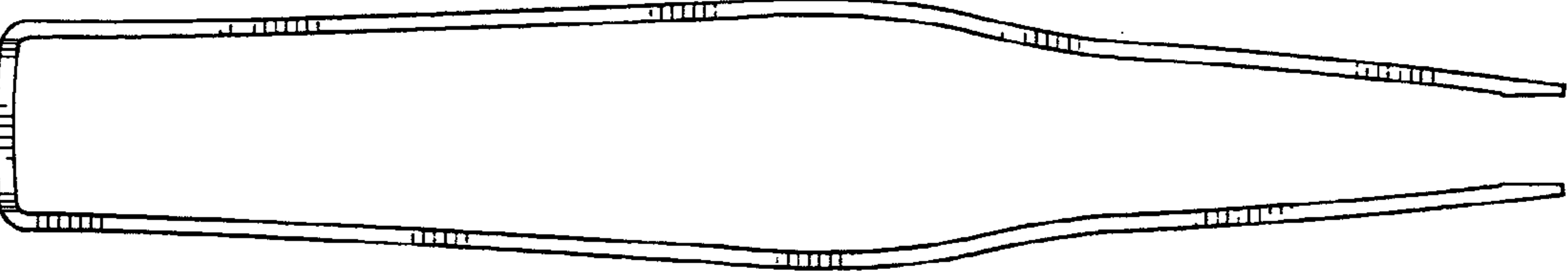


FIG. 6

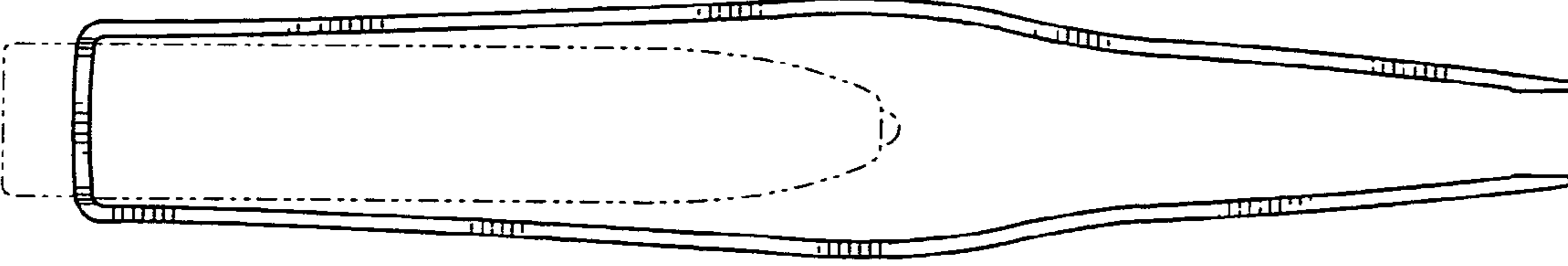


FIG. 7

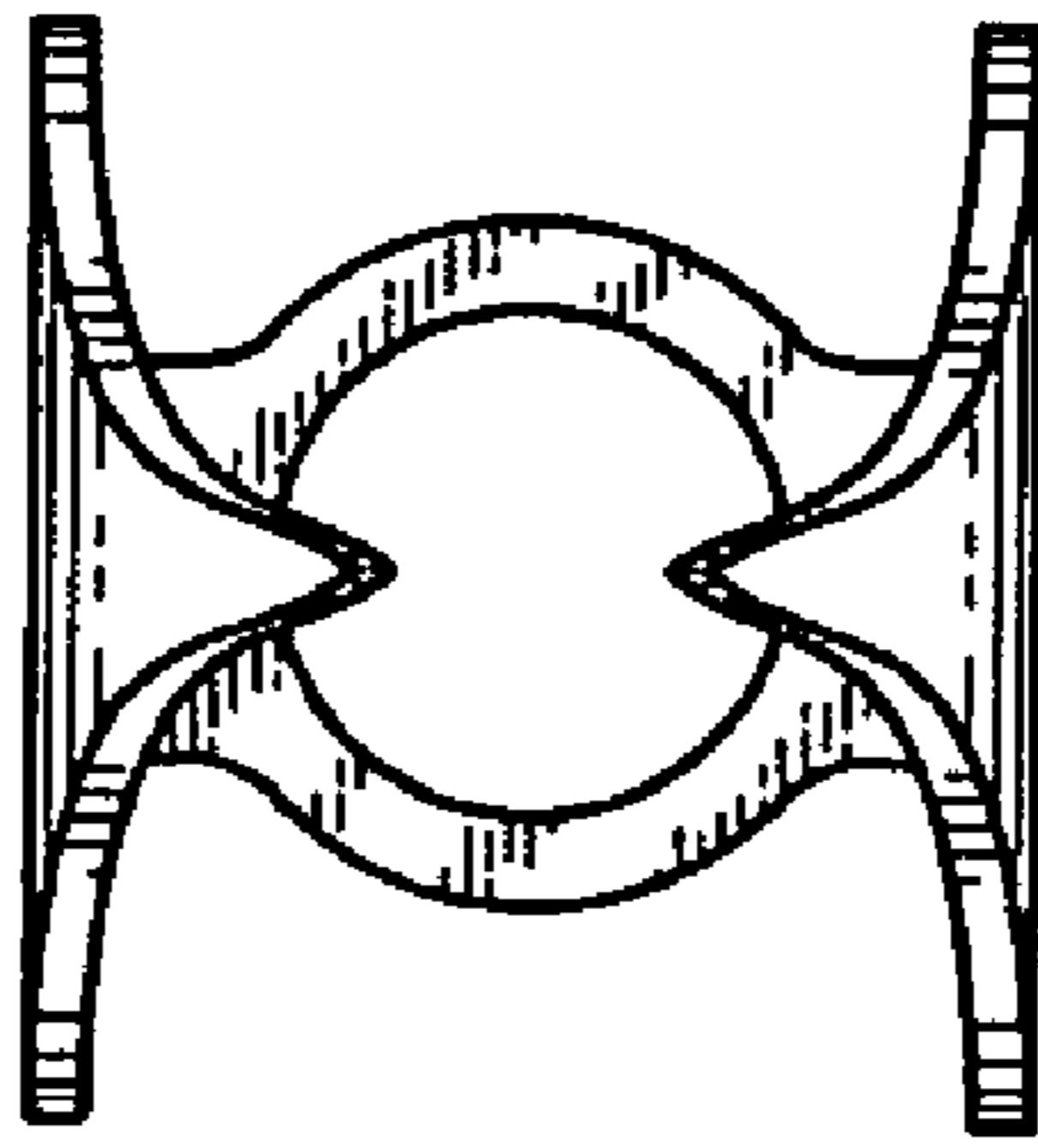


FIG. 8

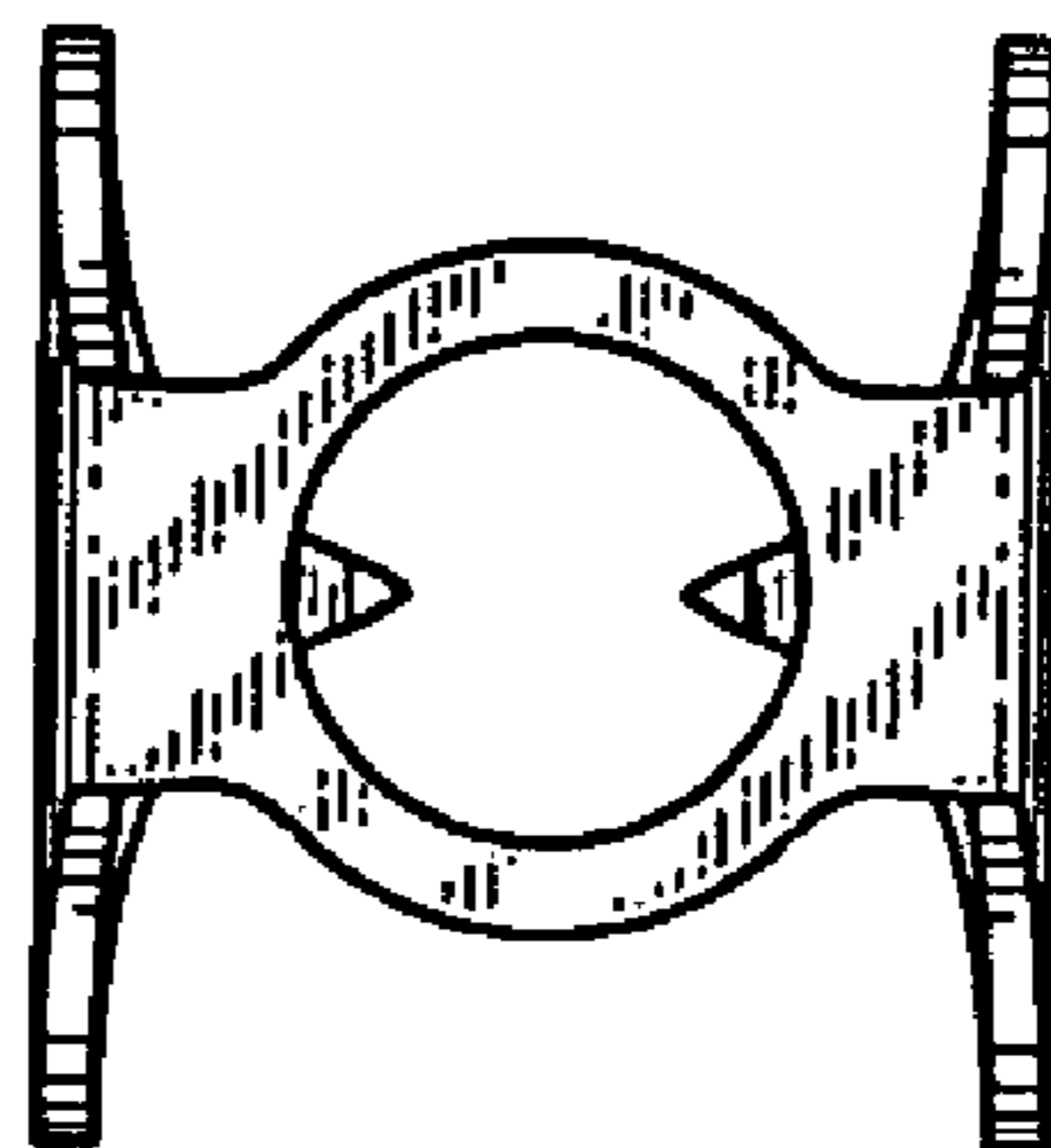


FIG. 9