



US00D584446S

(12) **United States Design Patent**
Sabernig

(10) **Patent No.:** **US D584,446 S**

(45) **Date of Patent:** **** Jan. 6, 2009**

(54) **LIGHT FIXTURE**

(75) Inventor: **Robert Sabernig**, Munster (AT)

(73) Assignee: **EGLO Leuchten GmbH**, Innsbruck (AT)

(**) Term: **14 Years**

(21) Appl. No.: **29/303,077**

(22) Filed: **Jan. 31, 2008**

(51) **LOC (9) Cl.** **26-03**

(52) **U.S. Cl.** **D26/88**

(58) **Field of Classification Search** D26/72,
D26/76, 84, 85, 86, 88-91, 118, 128, 130,
D26/131, 135, 137; 362/147, 404, 407, 355,
362/358

See application file for complete search history.

(56) **References Cited**

U.S. PATENT DOCUMENTS

- D123,049 S * 10/1940 Doane D26/76
- D127,379 S * 5/1941 Parisson D26/76
- D129,836 S * 10/1941 Koegel D26/76

- 2,523,581 A * 9/1950 Margolis D26/76
- D205,302 S * 7/1966 Wince D26/76
- D265,512 S * 7/1982 Thurston D26/85
- D306,352 S * 2/1990 Glassman D26/91
- D348,534 S * 7/1994 Herst et al. D26/85
- D485,006 S * 1/2004 Huang D26/118
- D507,676 S * 7/2005 Wechsler D26/118
- D533,957 S * 12/2006 Barozzini D26/118

* cited by examiner

Primary Examiner—Clare E Heflin

(74) *Attorney, Agent, or Firm*—Baker & McKenzie LLP

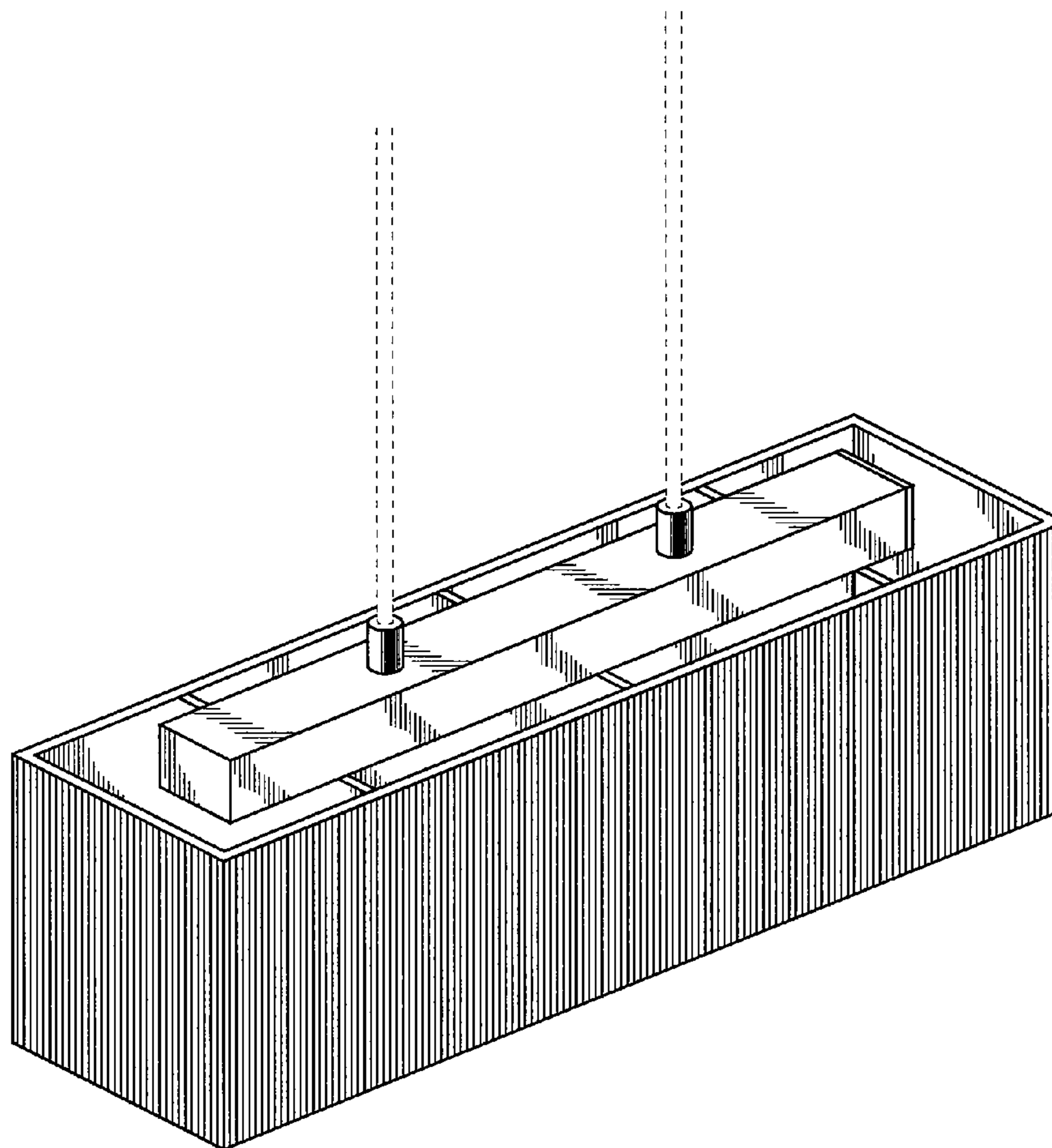
(57) **CLAIM**

The ornamental design for a light fixture, as shown and described.

DESCRIPTION

The single FIGURE is a top, front and one end perspective view of a light fixture showing the new design. It is understood that the rear and opposite end are the same as that shown, and the bottom surface and support rods shown in broken lines, form no part of the claimed design.

1 Claim, 1 Drawing Sheet



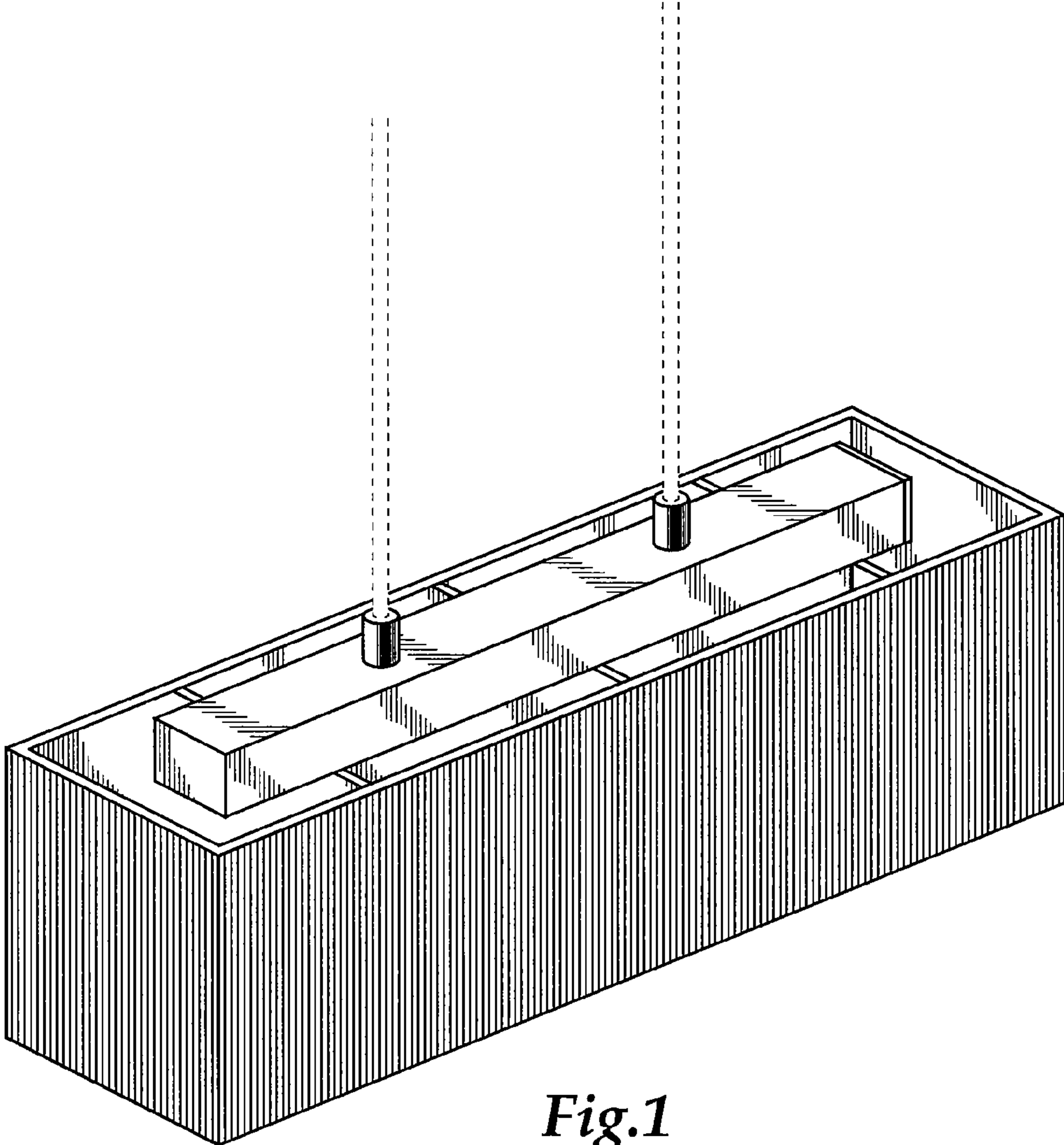


Fig.1