



US00D584443S

(12) **United States Design Patent**
Bergmann et al.

(10) **Patent No.:** **US D584,443 S**

(45) **Date of Patent:** **** Jan. 6, 2009**

(54) **LED LIGHTING FIXTURE**

(75) Inventors: **Martin Bergmann**, Vienna (AT);
Harald Gründl, Vienna (AT); **Gernot Bohman**, Vienna (AT); **Katharina Goetz-Schaefer**, Bad Salzflun (DE);
Herbert Köck, Balve (DE)

(73) Assignee: **Zumtobel Lighting GmbH & Co. KG**, Lemgo (DE)

(**) Term: **14 Years**

(21) Appl. No.: **29/302,036**

(22) Filed: **Jan. 9, 2008**

Related U.S. Application Data

(62) Division of application No. 29/265,487, filed on Sep. 1, 2006.

(30) **Foreign Application Priority Data**

Mar. 9, 2006 (EM) 000492137-0003

(51) **LOC (9) Cl.** **26-03**

(52) **U.S. Cl.** **D26/85**

(58) **Field of Classification Search** D26/24,
D26/72, 85, 89; 362/145, 147, 157, 310,
362/362, 365, 368, 432

See application file for complete search history.

(56) **References Cited**

U.S. PATENT DOCUMENTS

D221,181 S * 7/1971 Bobrick D26/85

3,666,936 A *	5/1972	Webster et al.	40/444
4,155,111 A *	5/1979	Kelly et al.	362/374
4,317,163 A *	2/1982	Bout	362/362
D265,132 S *	6/1982	Brooks	D26/24
4,379,322 A *	4/1983	Kelly	362/300
D272,475 S *	1/1984	Yahraus	D26/24
4,951,045 A *	8/1990	Knapp et al.	340/944
D336,863 S *	6/1993	MacKenzie	D10/114
D352,564 S *	11/1994	Marischen	D26/26
D411,634 S *	6/1999	Connelly	D26/24
2004/0141325 A1 *	7/2004	Davenport	362/351

* cited by examiner

Primary Examiner—Clare E Heflin

(74) *Attorney, Agent, or Firm*—Marshall, Gerstein & Borun LLP

(57) **CLAIM**

The ornamental design for an LED lighting fixture, as shown and described.

DESCRIPTION

FIG. 1 is a perspective view of an LED lighting fixture that has the design.

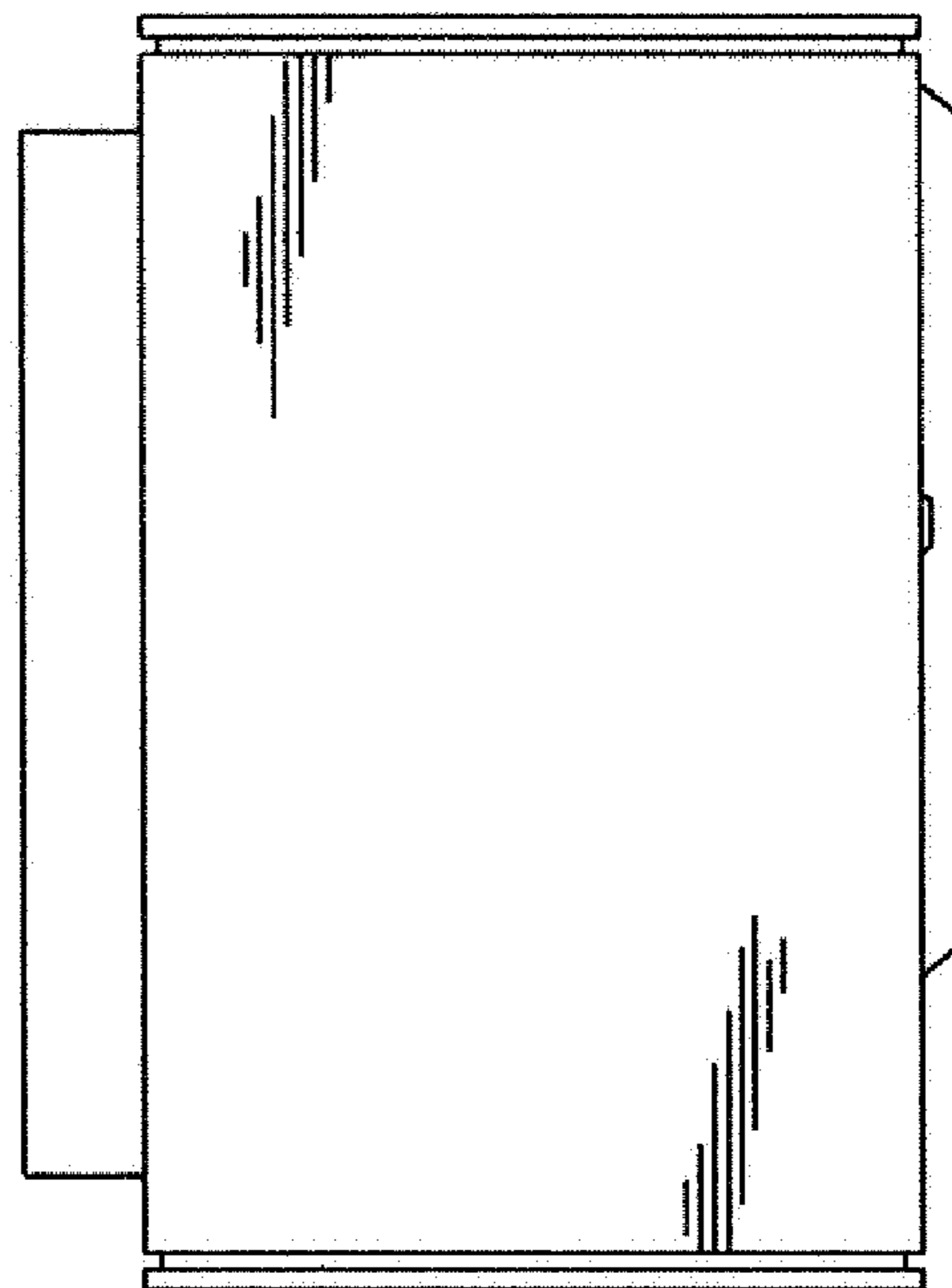
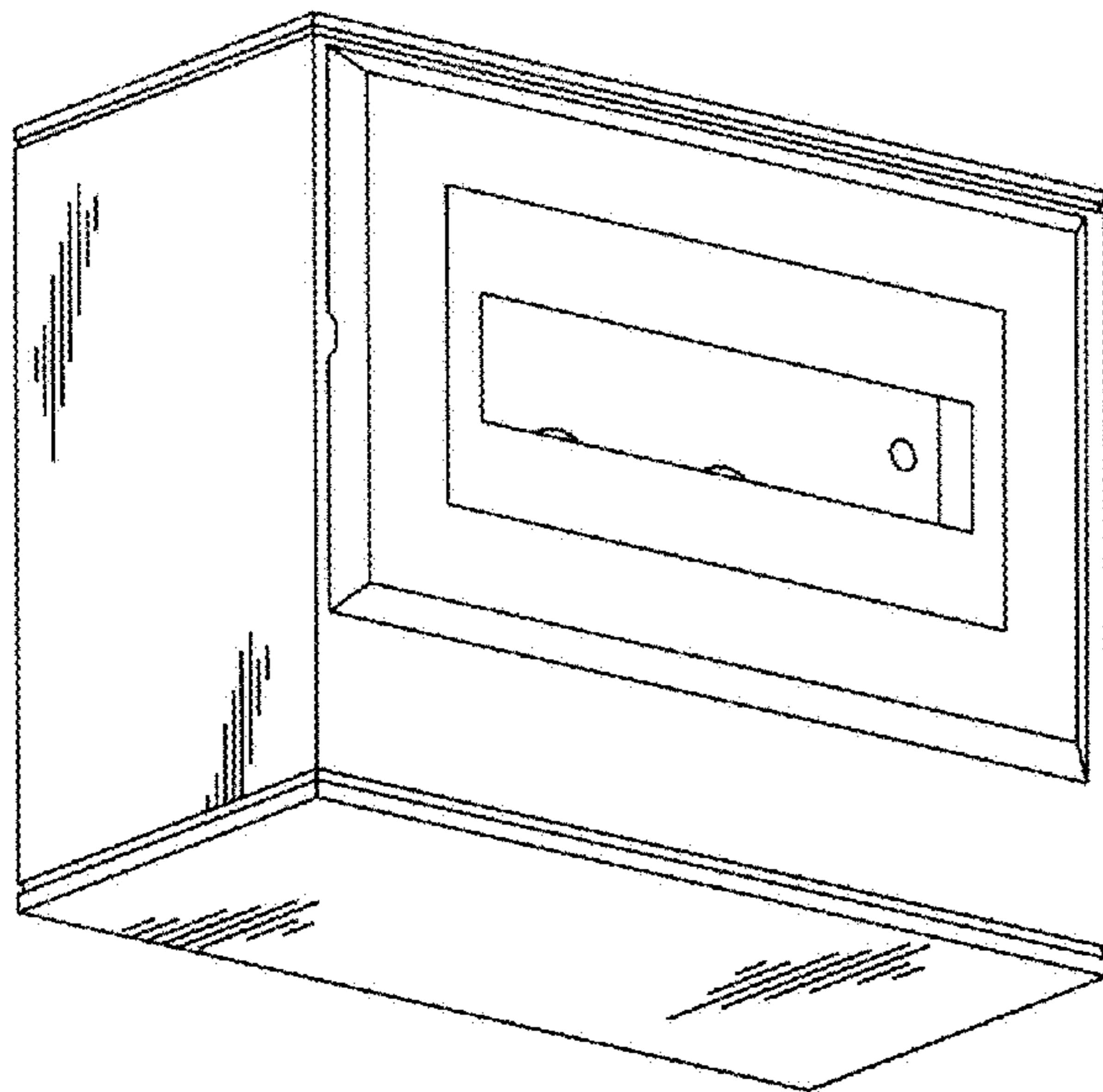
FIG. 2 is a front view of the fixture seen in FIG. 1.

FIG. 3 is a side view of the fixture seen in FIG. 1, the opposite side view being a mirror image.

FIG. 4 is a perspective view of the fixture seen in FIG. 1; and,

FIG. 5 is a rotated perspective view of the fixture.

1 Claim, 5 Drawing Sheets



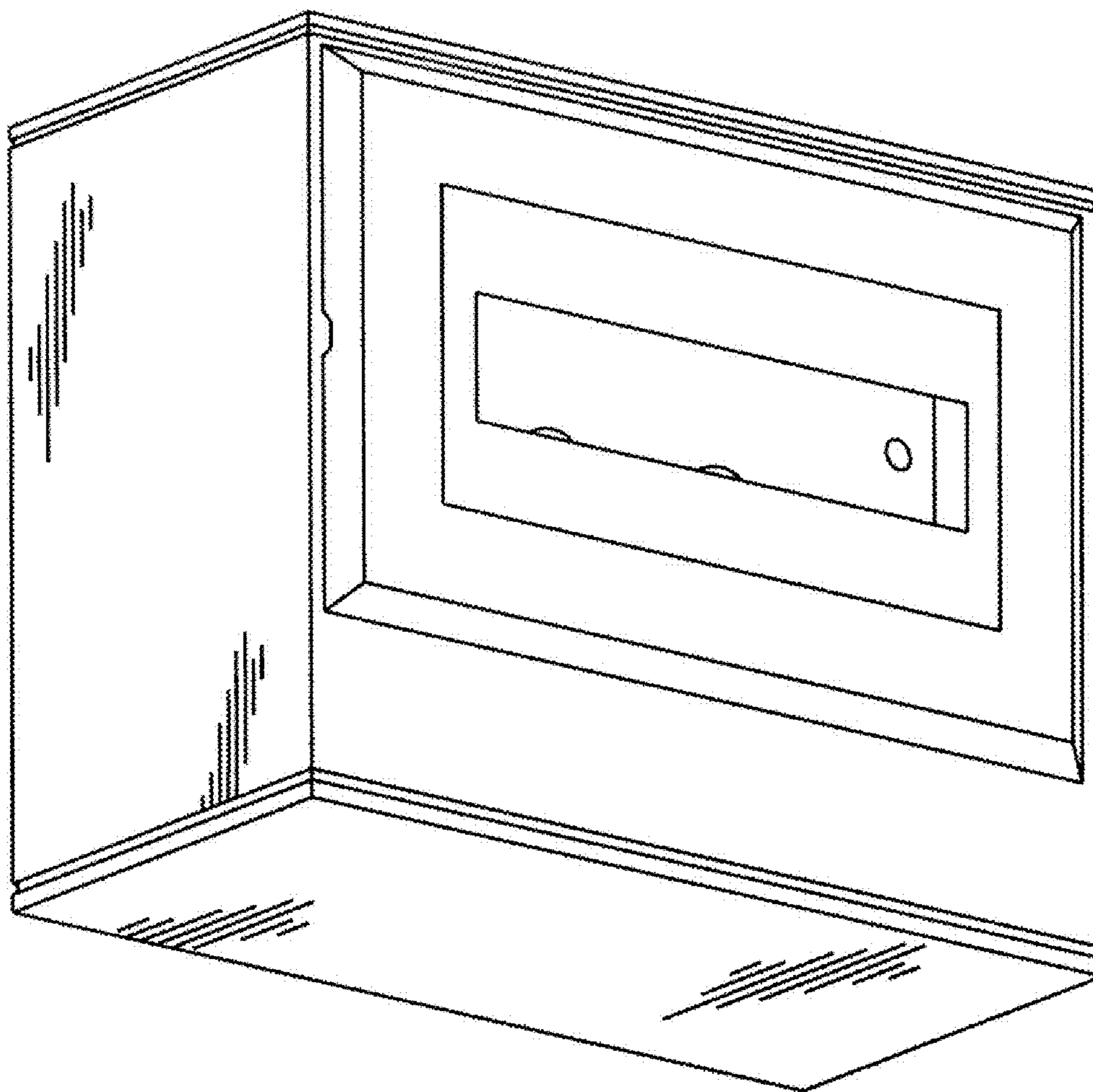


FIG. 1

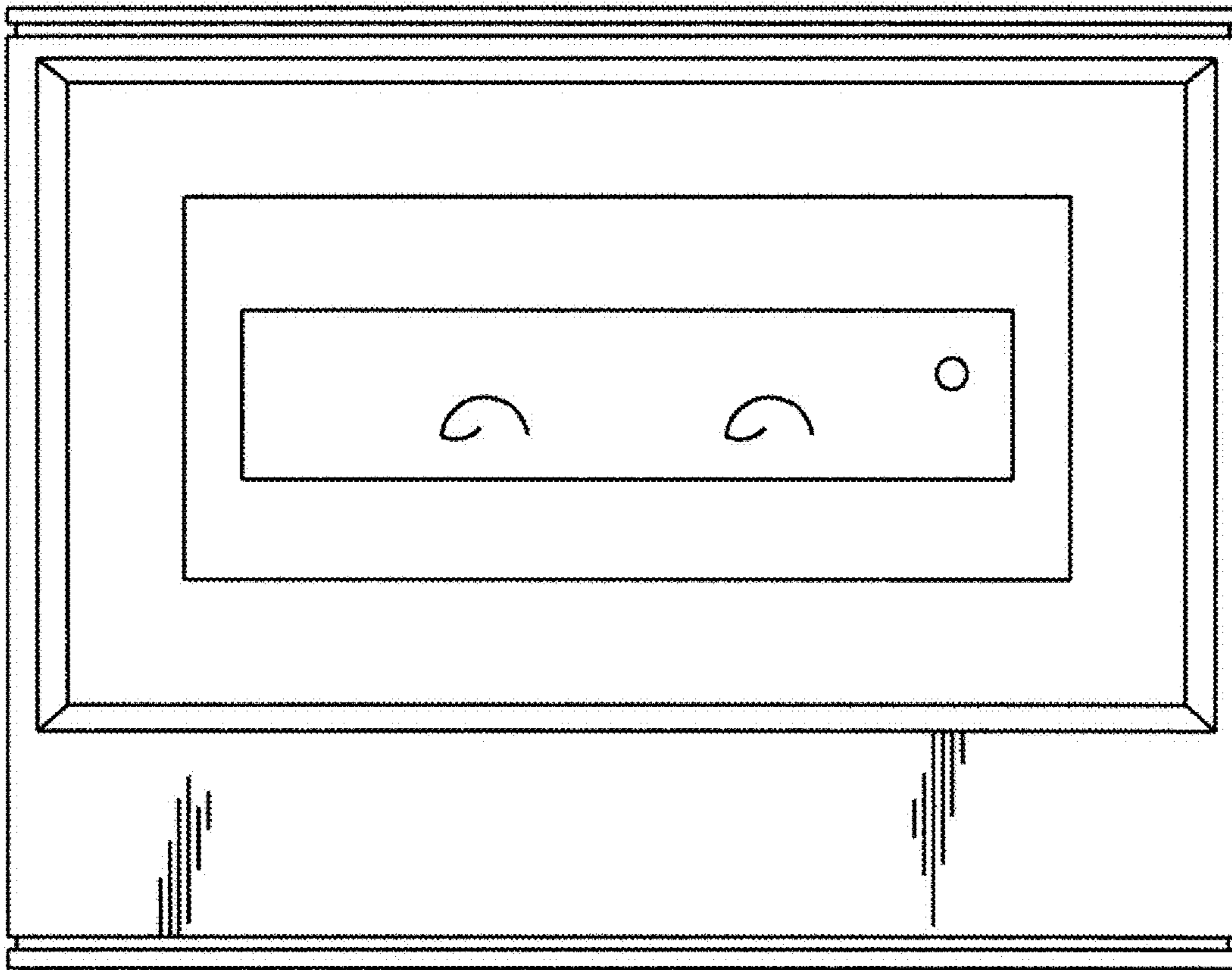


FIG. 2

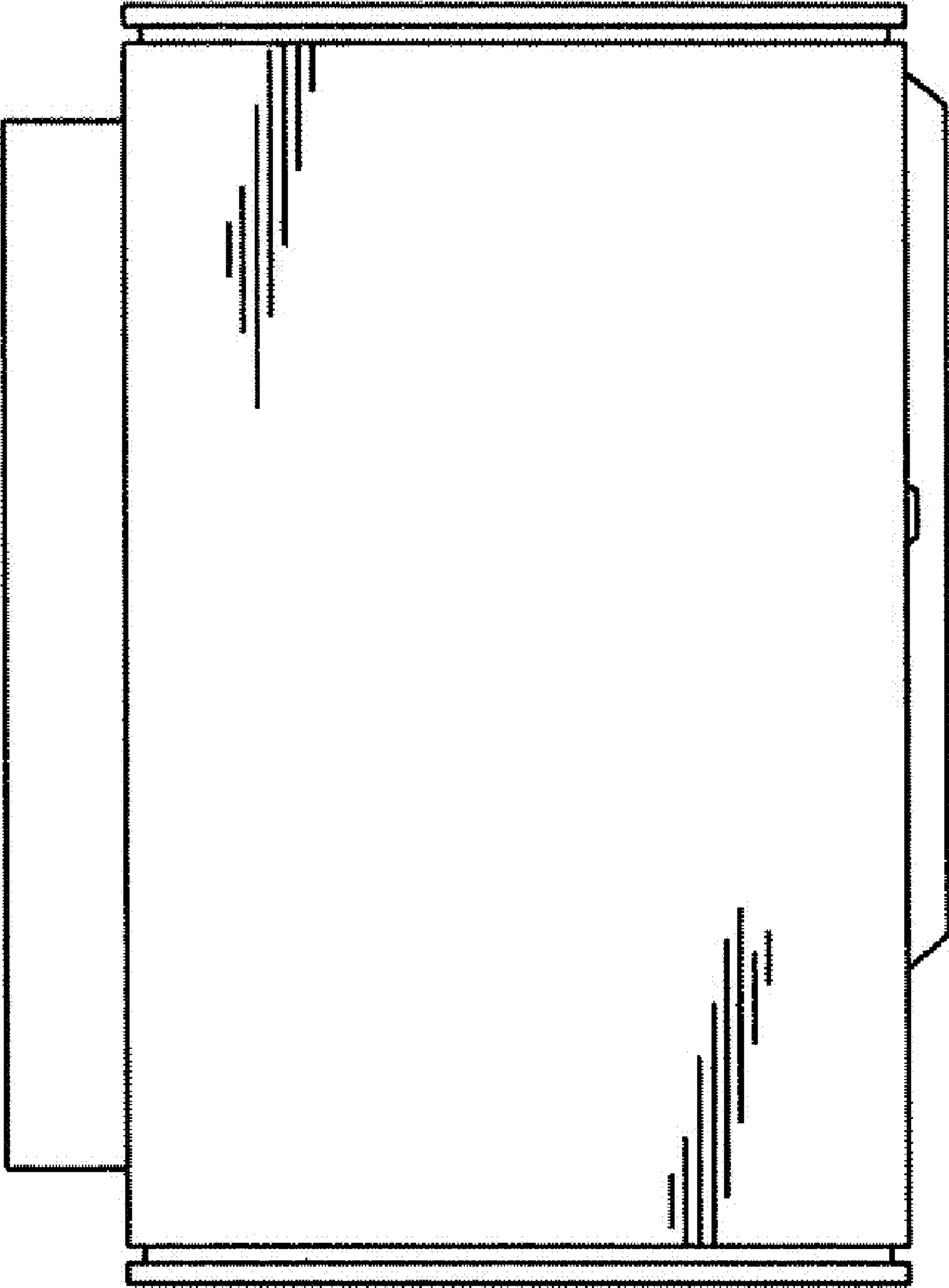


FIG. 3

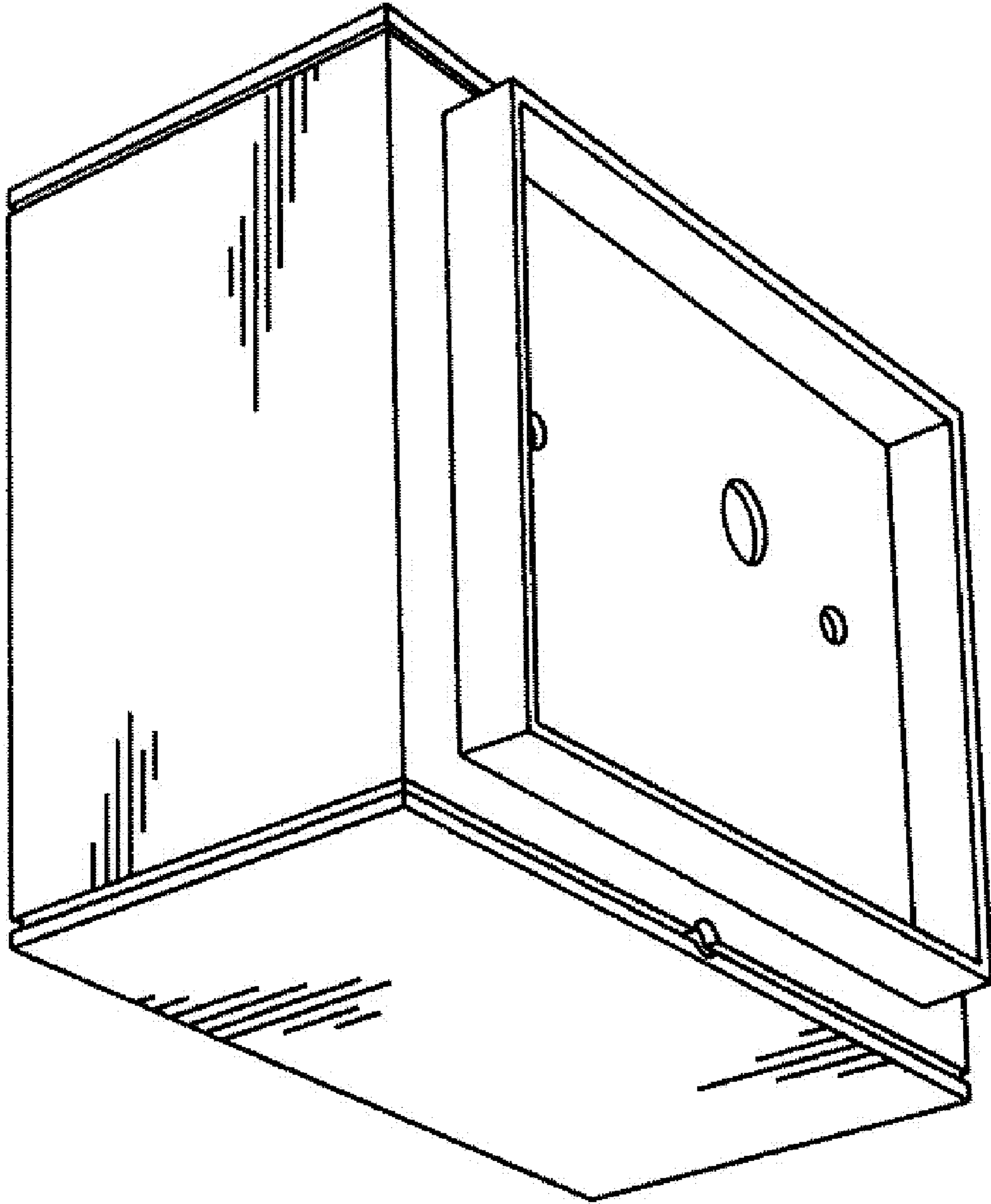


FIG. 4

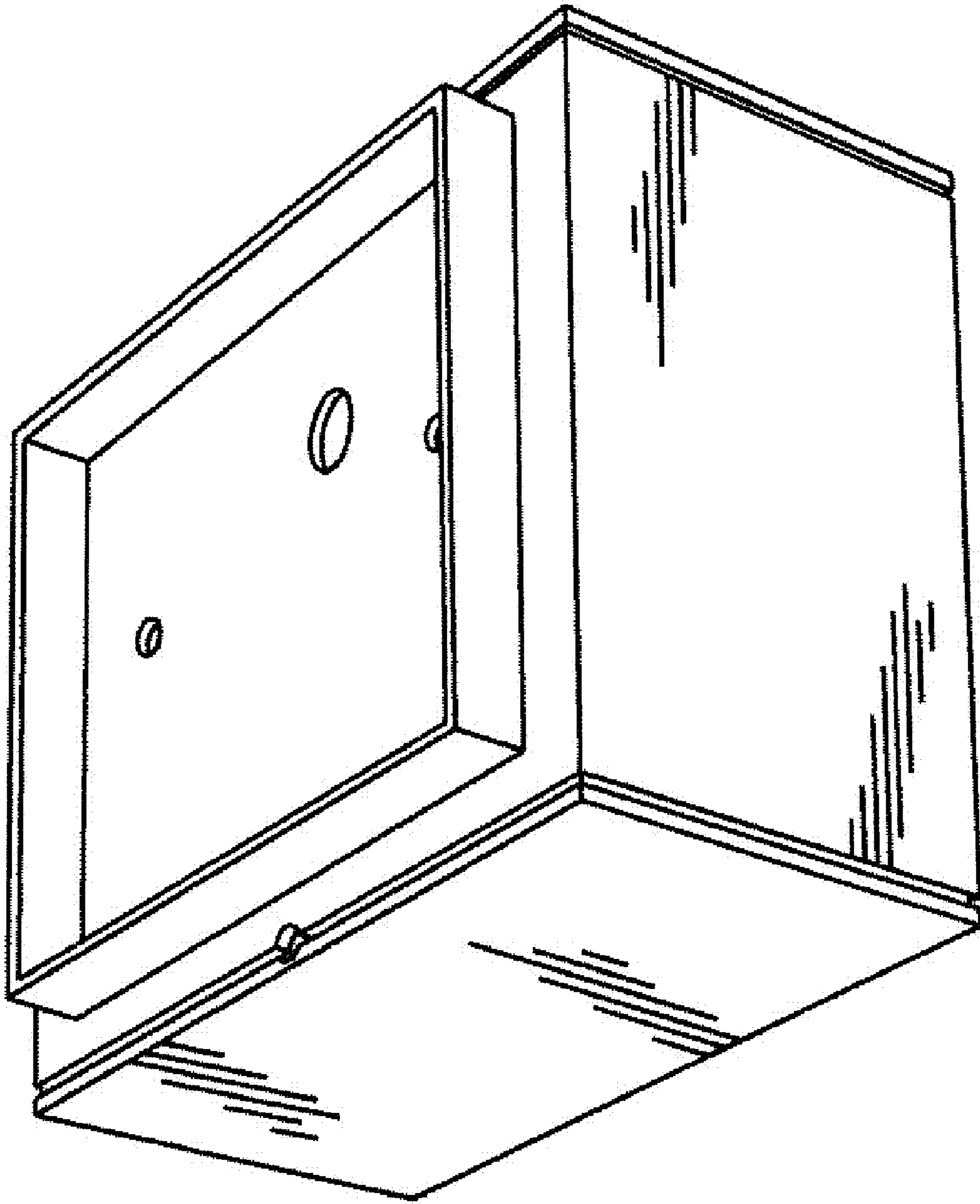


FIG. 5