



US00D584441S

(12) **United States Design Patent**
Ghini

(10) **Patent No.:** **US D584,441 S**
(45) **Date of Patent:** **** Jan. 6, 2009**

(54) **LIGHT**

(75) Inventor: **Massimo Iosa Ghini**, Bologna (IT)

(73) Assignee: **Zumtobel Lighting GmbH**, Dornbim (AT)

(**) Term: **14 Years**

(21) Appl. No.: **29/295,364**

(22) Filed: **Sep. 27, 2007**

Related U.S. Application Data

(62) Division of application No. 29/267,715, filed on Oct. 18, 2006.

(30) **Foreign Application Priority Data**

Apr. 19, 2006 (EM) 000 514 237-0001
Apr. 19, 2006 (EM) 000 514 237-0005
Apr. 19, 2006 (EM) 000 514 237-0006

(51) **LOC (9) Cl.** **26-03**

(52) **U.S. Cl.** **D26/76**

(58) **Field of Classification Search** D26/71-72,
D26/74-79, 118, 142; 362/217-225, 260,
362/283, 347, 363

See application file for complete search history.

(56) **References Cited**

U.S. PATENT DOCUMENTS

D206,286 S * 11/1966 Ostin D26/76
D246,330 S * 11/1977 Krase et al. D26/76
D318,929 S * 8/1991 Herst et al. D26/76
D362,315 S * 9/1995 Herst et al. D26/76
D437,959 S * 2/2001 Lewis D26/76
D438,326 S * 2/2001 Kan D26/76
D457,981 S * 5/2002 Yeh D26/76
D493,565 S * 7/2004 Smith et al. D26/118
D496,122 S * 9/2004 Kan D26/76

D505,224 S * 5/2005 Smith et al. D26/142
D513,643 S * 1/2006 Vakil et al. D26/76
D545,477 S * 6/2007 DeBruyne et al. D26/76
D551,792 S * 9/2007 Philpot et al. D26/76

* cited by examiner

Primary Examiner—Robert M Spear

Assistant Examiner—Susan E Krakower

(74) *Attorney, Agent, or Firm*—Marshall, Gerstein & Borun LLP

(57) **CLAIM**

The ornamental design for a light, as shown and described.

DESCRIPTION

FIG. 1 is a top plan view of a light that has the design.

FIG. 2 is side elevational view of the light, the opposite side view being identical.

FIG. 3 is a bottom plan view of the light.

FIG. 4 is an enlarged end view of the light, the opposite end view being a mirror image thereof.

FIG. 5 is a perspective view of the light.

FIG. 6 is an enlarged, fragmentary perspective view of the light.

FIG. 7 is a top plan view of a second embodiment of a light that has the design.

FIG. 8 is side elevational view of the light, the opposite side view being identical.

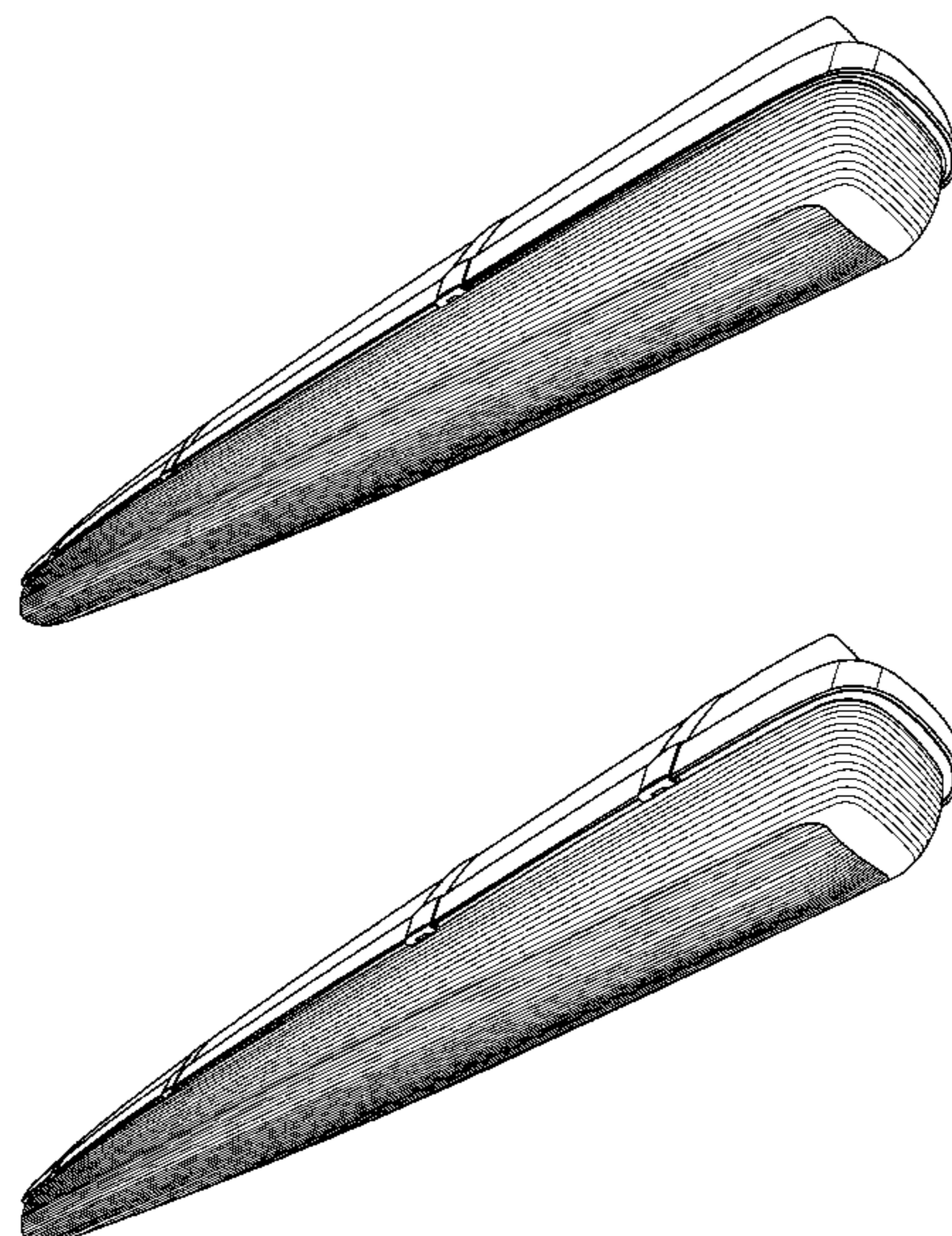
FIG. 9 is a bottom plan view of the light.

FIG. 10 is an enlarged end view of the light, the opposite end view being a mirror image thereof.

FIG. 11 is a perspective view of the light; and,

FIG. 12 is an enlarged, fragmentary perspective view of the light.

1 Claim, 6 Drawing Sheets



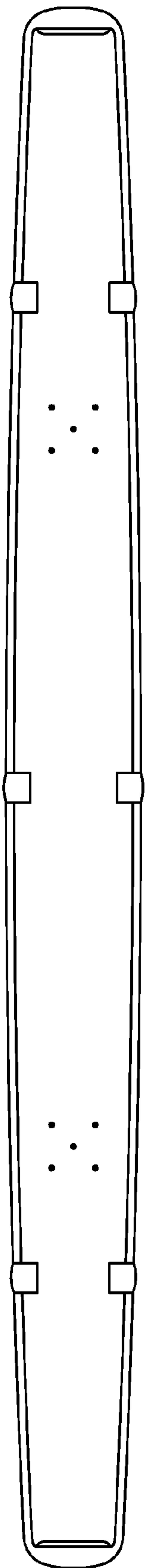


Fig. 1

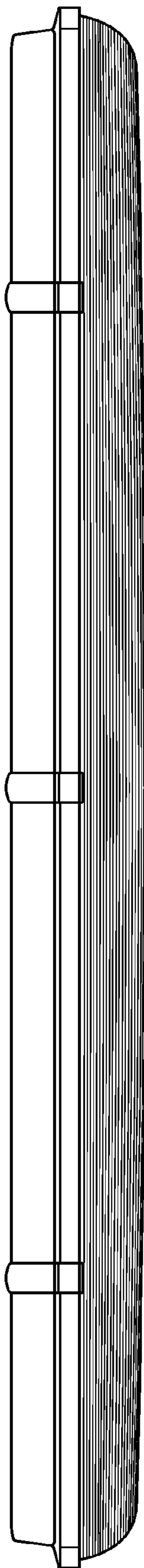


Fig. 2

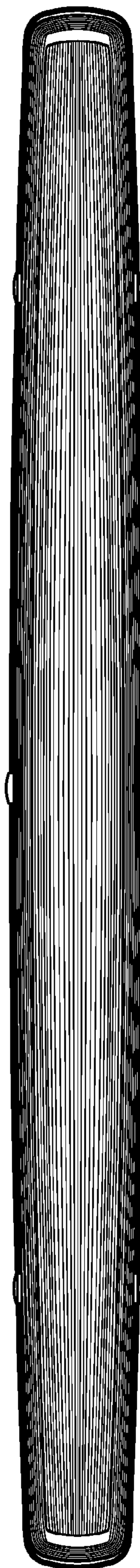


Fig. 3

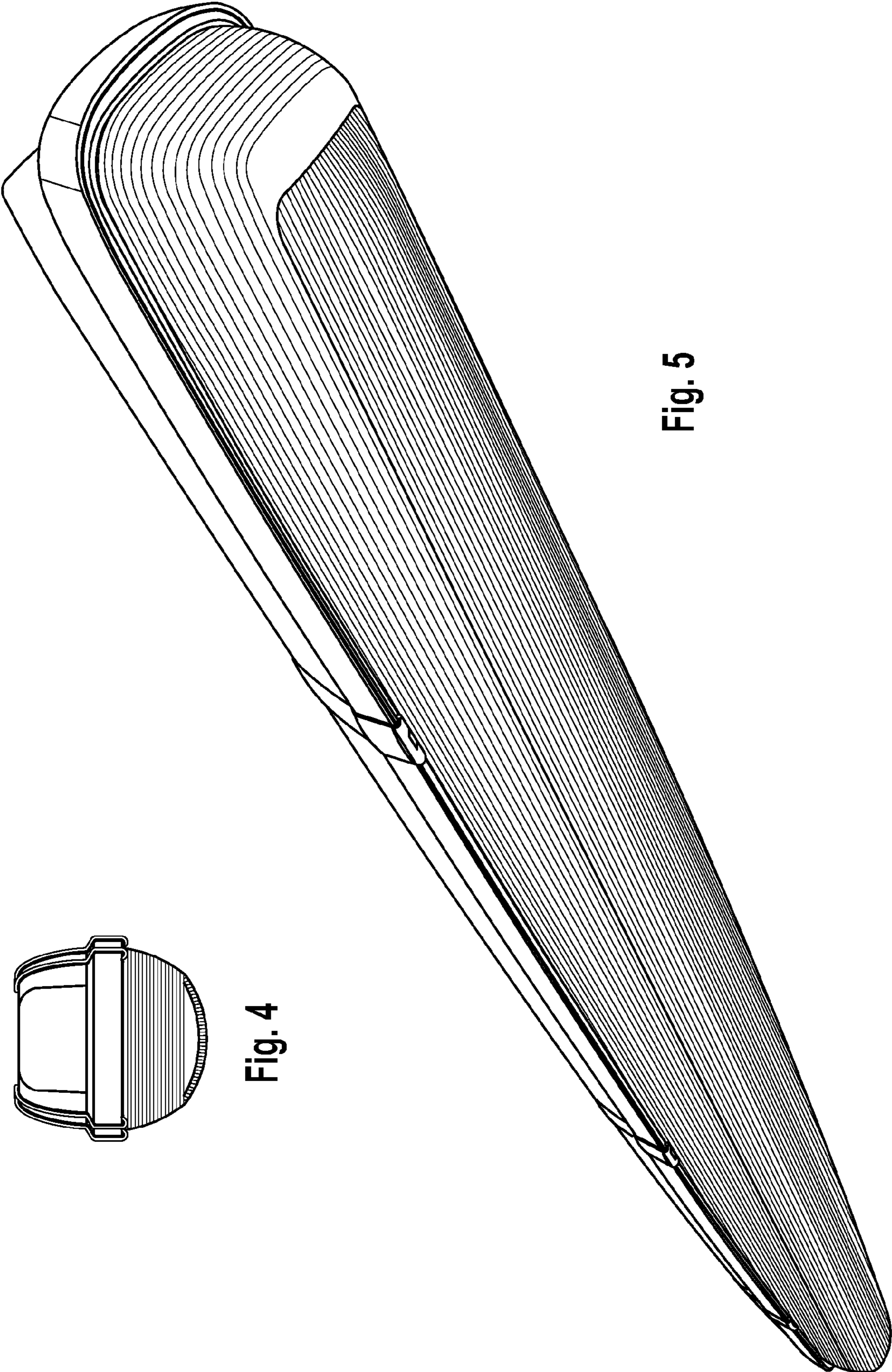


Fig. 4

Fig. 5

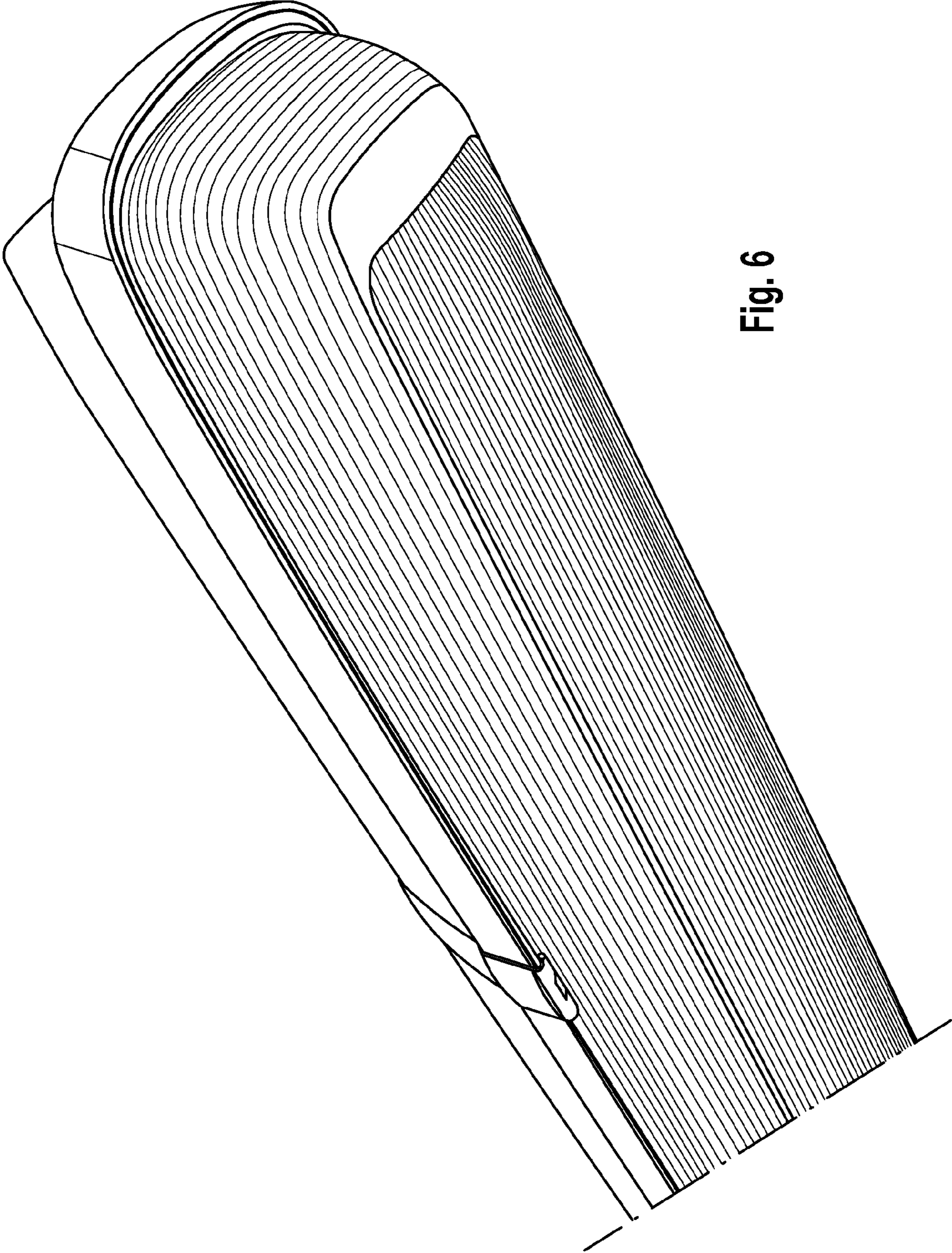


Fig. 6

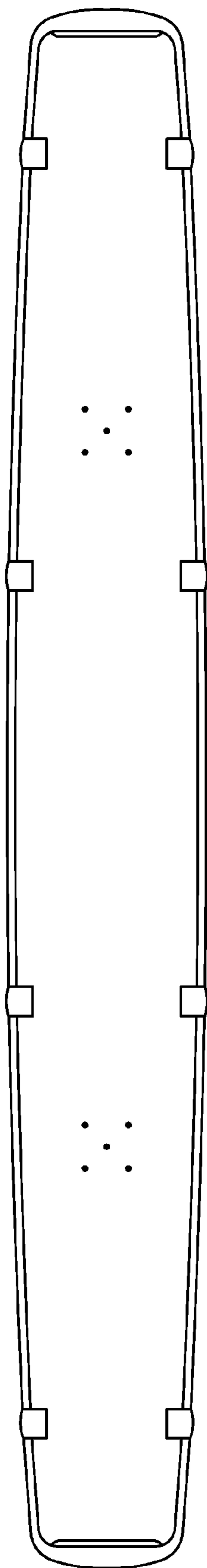


Fig. 7

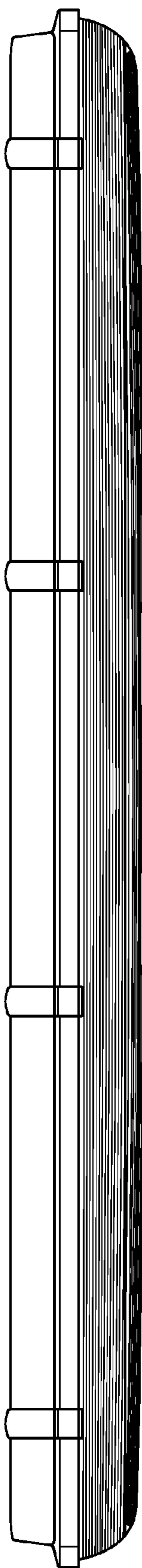


Fig. 8

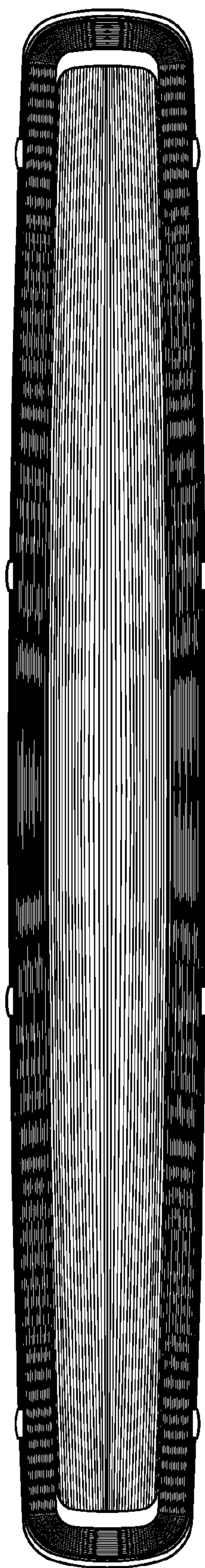


Fig. 9

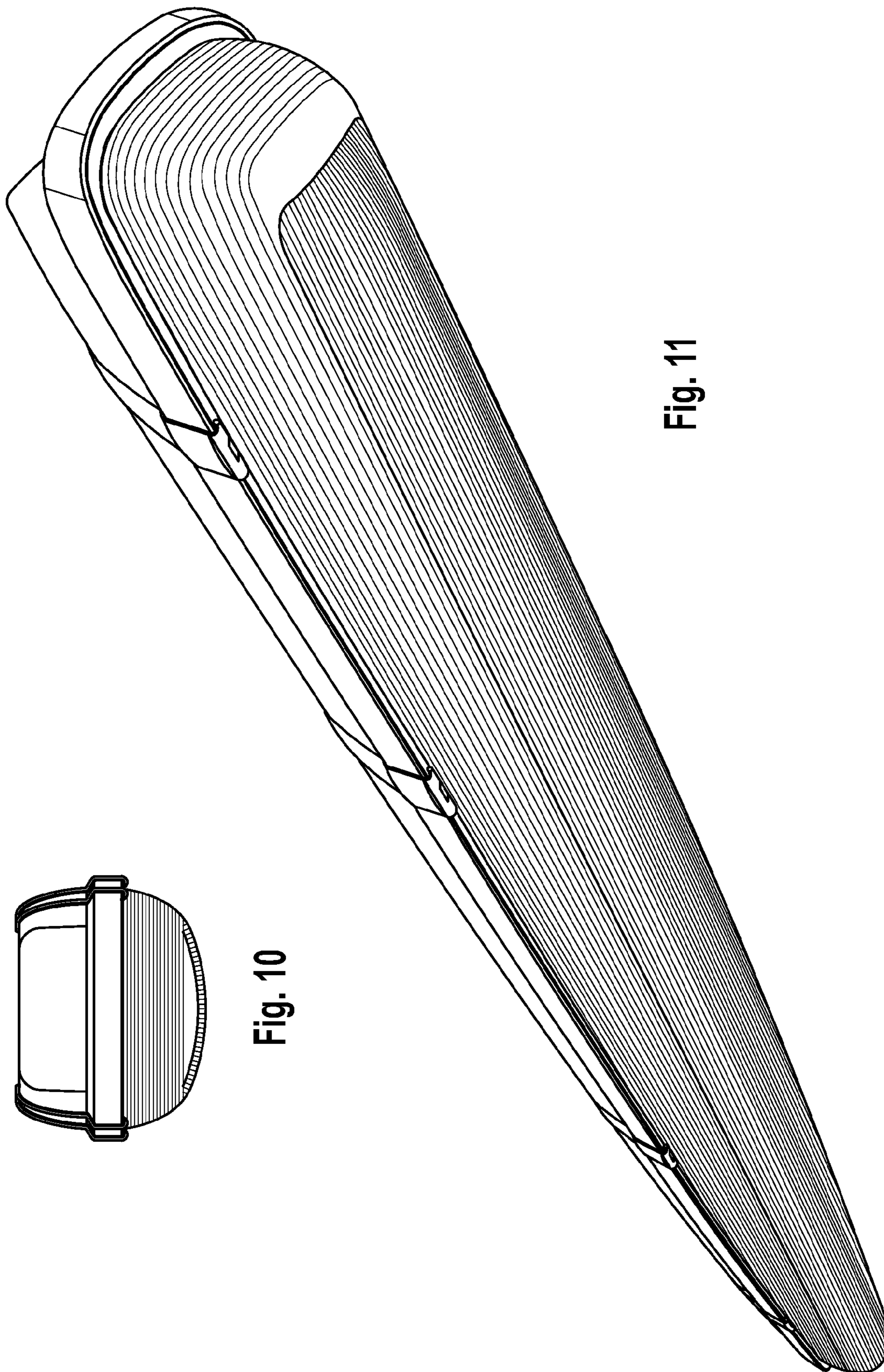


Fig. 10

Fig. 11

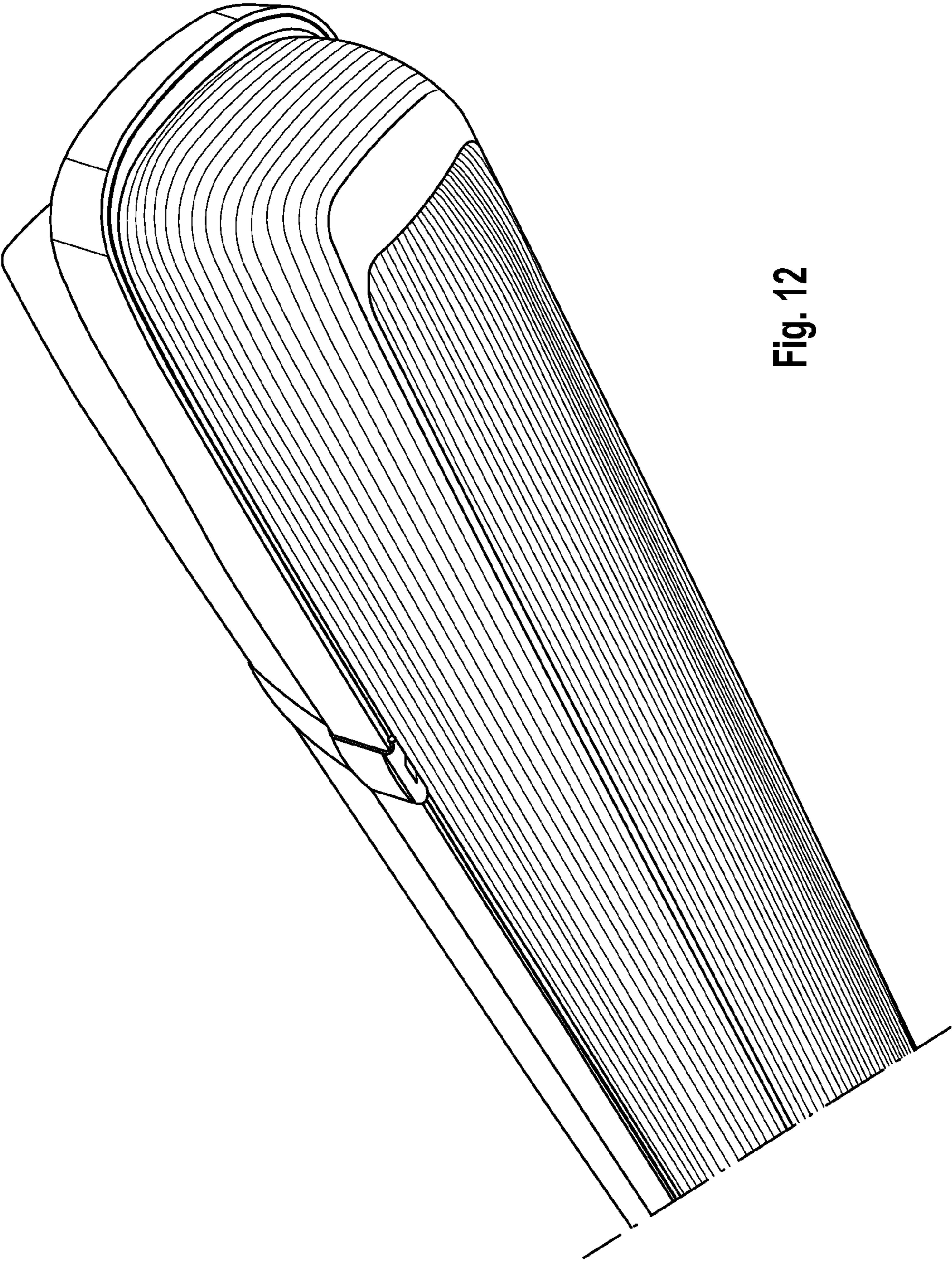


Fig. 12