



US00D584440S

(12) **United States Design Patent**
Allen

(10) **Patent No.:** **US D584,440 S**
(45) **Date of Patent:** **** Jan. 6, 2009**

(54) **LIGHTING FIXTURE**

(75) Inventor: **Robert T. Allen**, Green Bay, WI (US)

(73) Assignee: **SPI Lighting**, Mequon, WI (US)

(**) Term: **14 Years**

(21) Appl. No.: **29/279,347**

(22) Filed: **Apr. 27, 2007**

(51) **LOC (9) Cl.** **26-03**

(52) **U.S. Cl.** **D26/76; D26/82; D26/91;**
D26/120

(58) **Field of Classification Search** D26/2,
D26/24, 35, 67, 72, 74-79, 81-92, 118, 122;
362/147, 217-225, 132, 260-263, 267, 283,
362/347; 43/113; D23/328; D14/209; 52/98
See application file for complete search history.

(56) **References Cited**

U.S. PATENT DOCUMENTS

2,410,413	A *	11/1946	Hurley	181/30
D165,259	S *	11/1951	Baker	D26/74
2,850,110	A *	9/1958	Benjamin	181/289
D209,536	S *	12/1967	McCain	D26/74
D212,899	S *	12/1968	Vesely et al.	D26/24
4,377,059	A *	3/1983	Kuhr	52/98
D348,534	S *	7/1994	Herst et al.	D26/85
D411,031	S *	6/1999	Conn et al.	D26/118
D469,212	S *	1/2003	Chiu	D26/118
6,755,550	B1 *	6/2004	Lackey	362/147
D499,505	S *	12/2004	Benensohn	D26/89
D514,732	S *	2/2006	Benensohn	D26/89

OTHER PUBLICATIONS

LiteControl Visual Index, www.litecontrol.com/products/visual_index.php, 2 pages.
Lam: Pendant: Legacy, www.lamlighting.com/pendant/legacy.html.
Focal Point, www.focalpointlights.com/products/pendant/pendant.htm.

Visa Lighting, www.visalighting.com/products/pendant/minimalist/.

Visa Lighting, www.visalighting.com/products/pendant/contemporary/, 2 pages.

Visa Lighting, www.visalighting.com/products/pendant/classic/.

Visa Lighting, www.visalighting.com/products/prairie/.

* cited by examiner

Primary Examiner—Robert M Spear

Assistant Examiner—Susan E Krakower

(74) *Attorney, Agent, or Firm*—Boyle Fredrickson, S.C.

(57) **CLAIM**

The ornamental design for a lighting fixture, as shown and described.

DESCRIPTION

FIG. 1 is an underside isometric view illustrating a first embodiment of a lighting fixture incorporating my new design;

FIG. 2 is a bottom plan view thereof;

FIG. 3 is a side elevation view thereof;

FIG. 4 is a top plan view thereof;

FIG. 5 is a side elevation view similar to FIG. 3, showing an unclaimed alternate suspension method;

FIG. 6 is an underside isometric view illustrating a second embodiment of a lighting fixture incorporating my new design;

FIG. 7 is a bottom plan view thereof;

FIG. 8 is a side elevation view thereof; and,

FIG. 9 is a side elevation view similar to FIG. 8 showing an unclaimed alternate suspension method.

The broken lines illustrate unclaimed environmental portions of the lighting fixture.

1 Claim, 6 Drawing Sheets

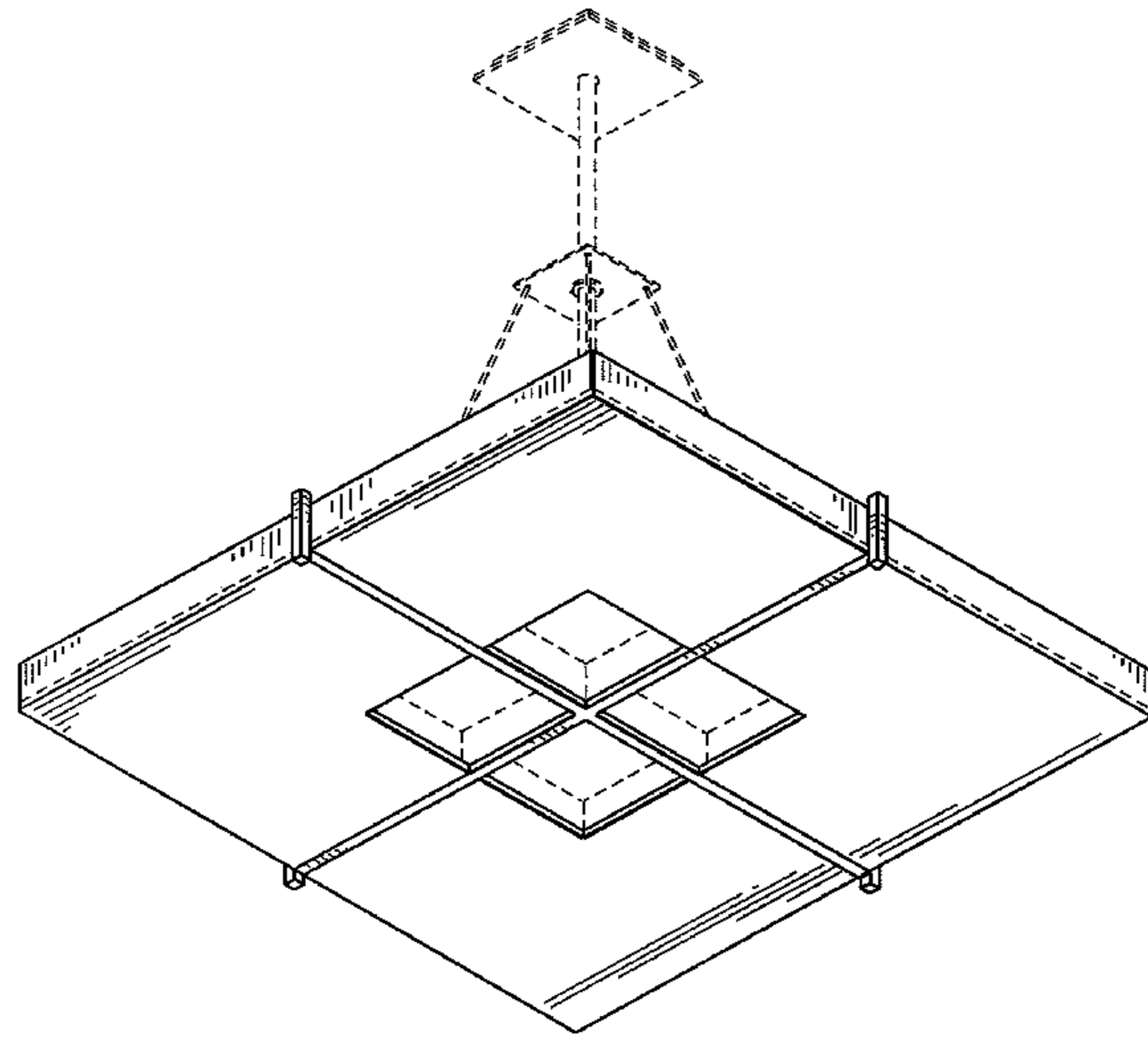
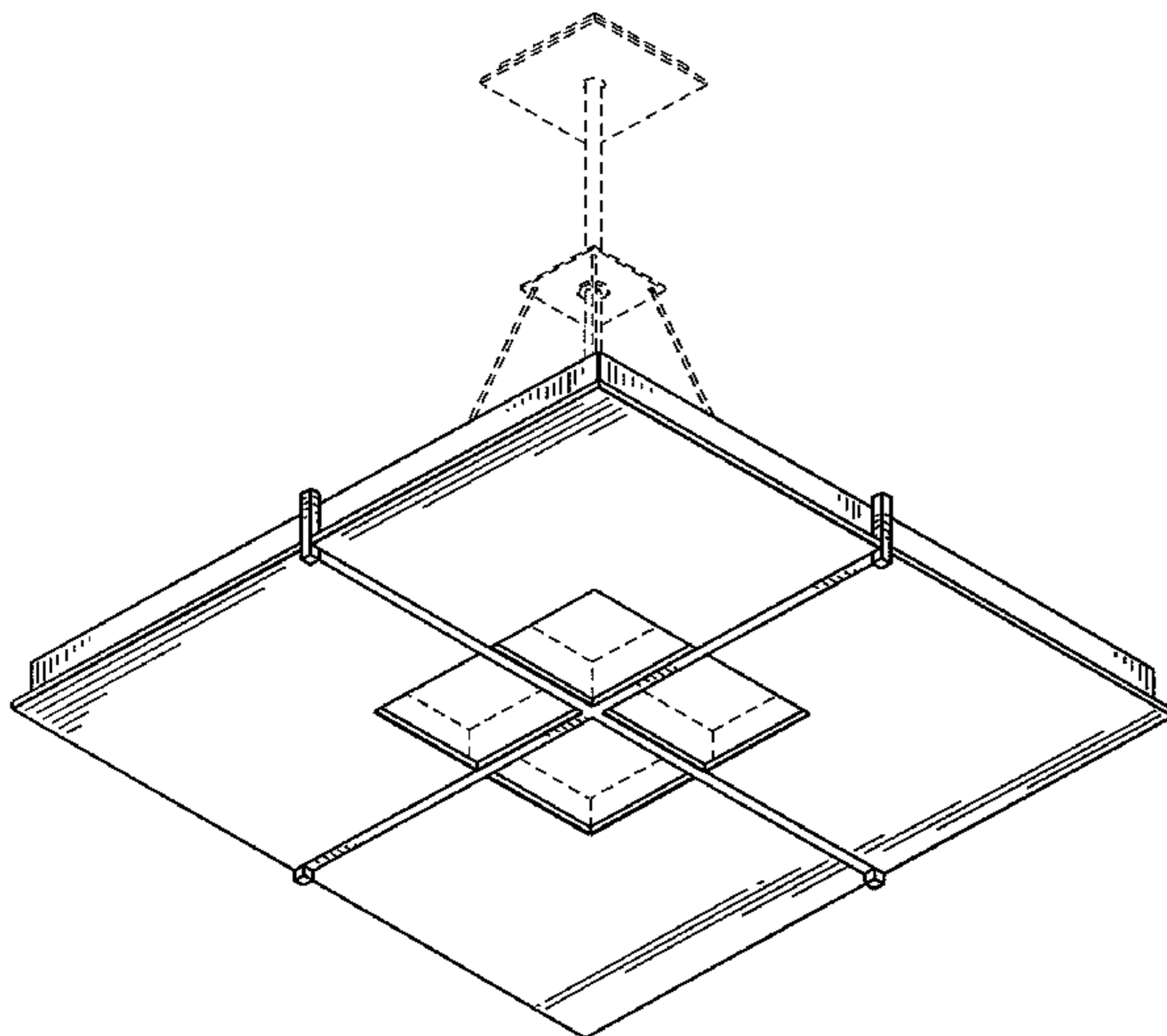
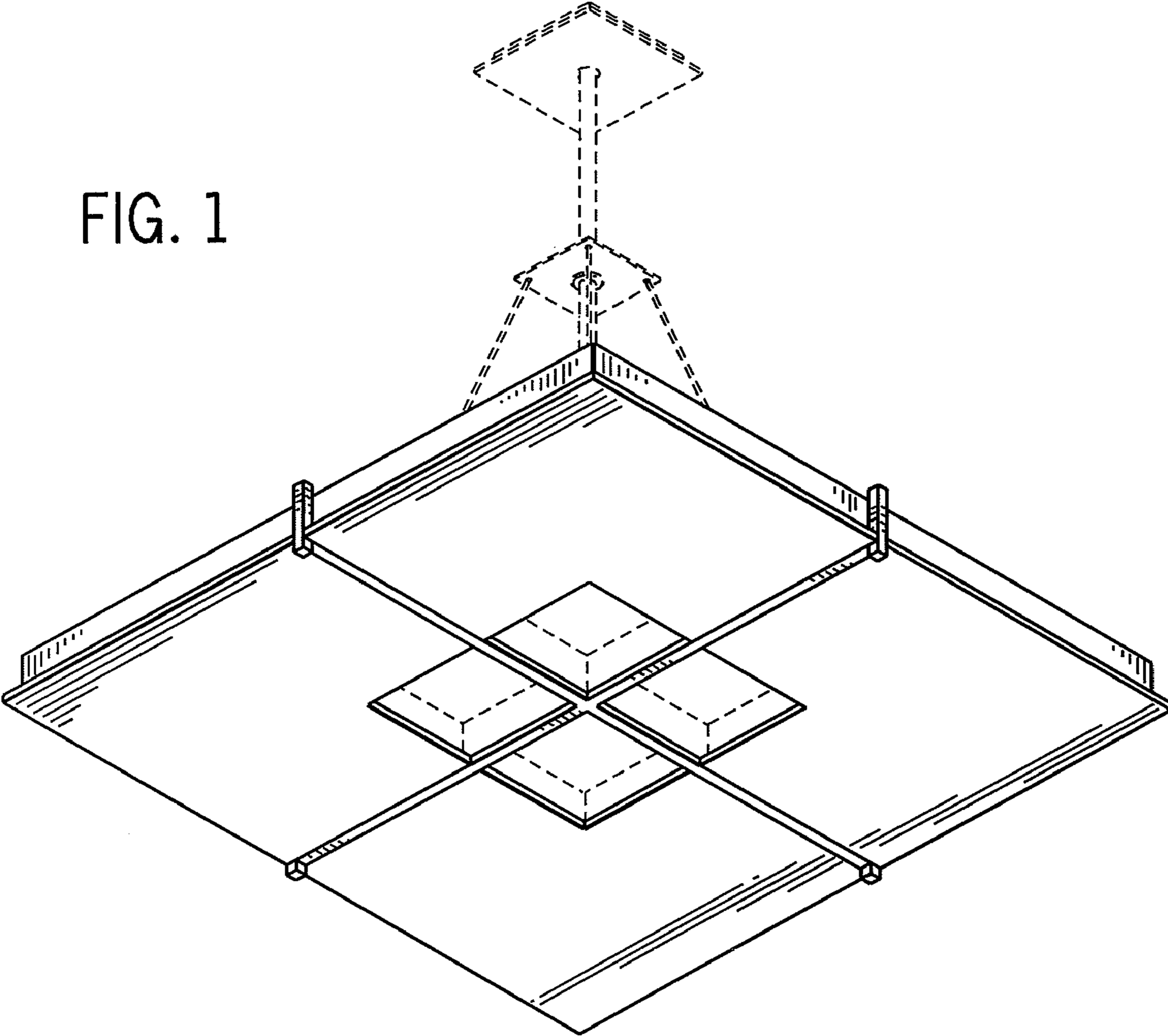


FIG. 1



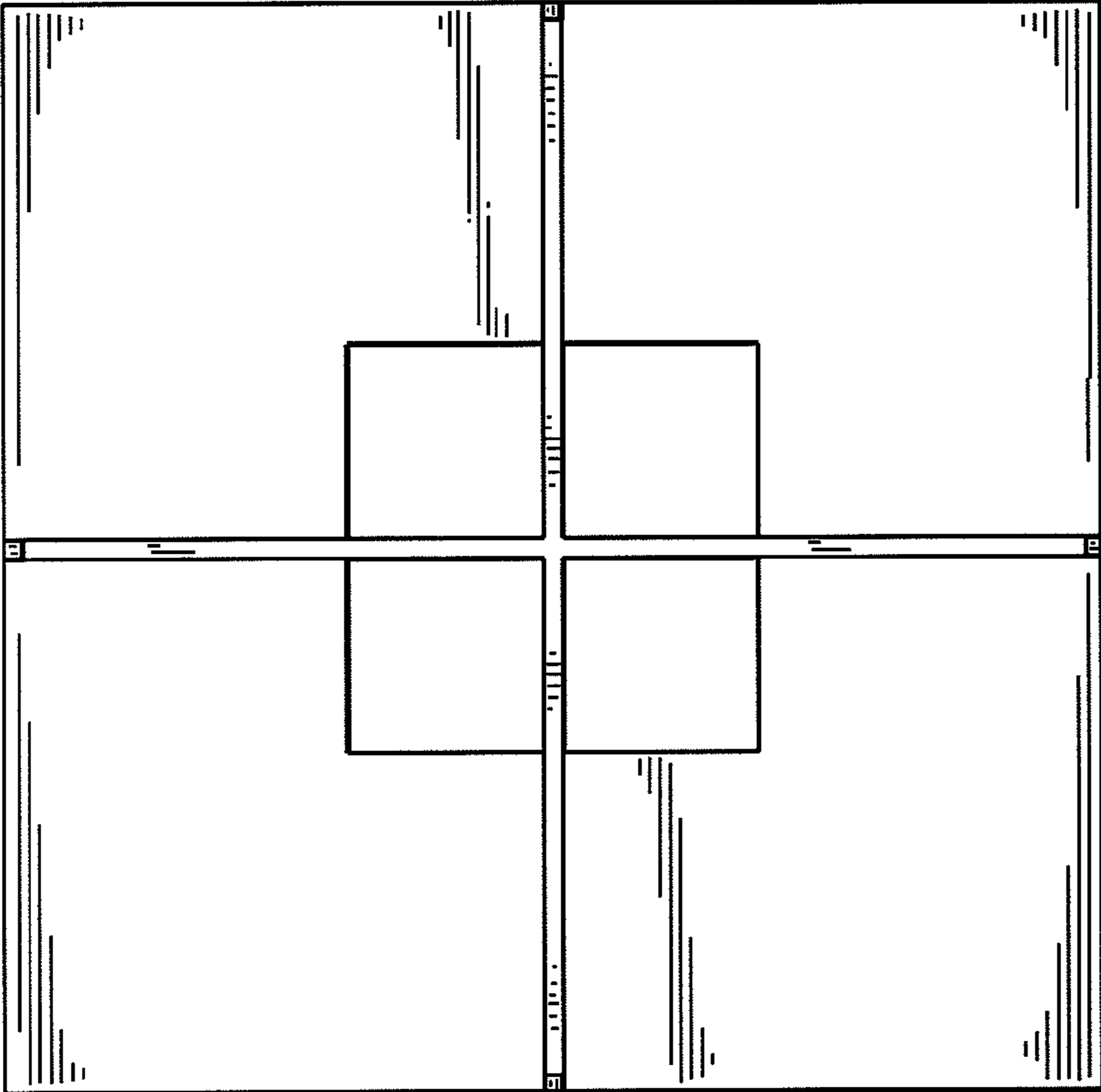


FIG. 2

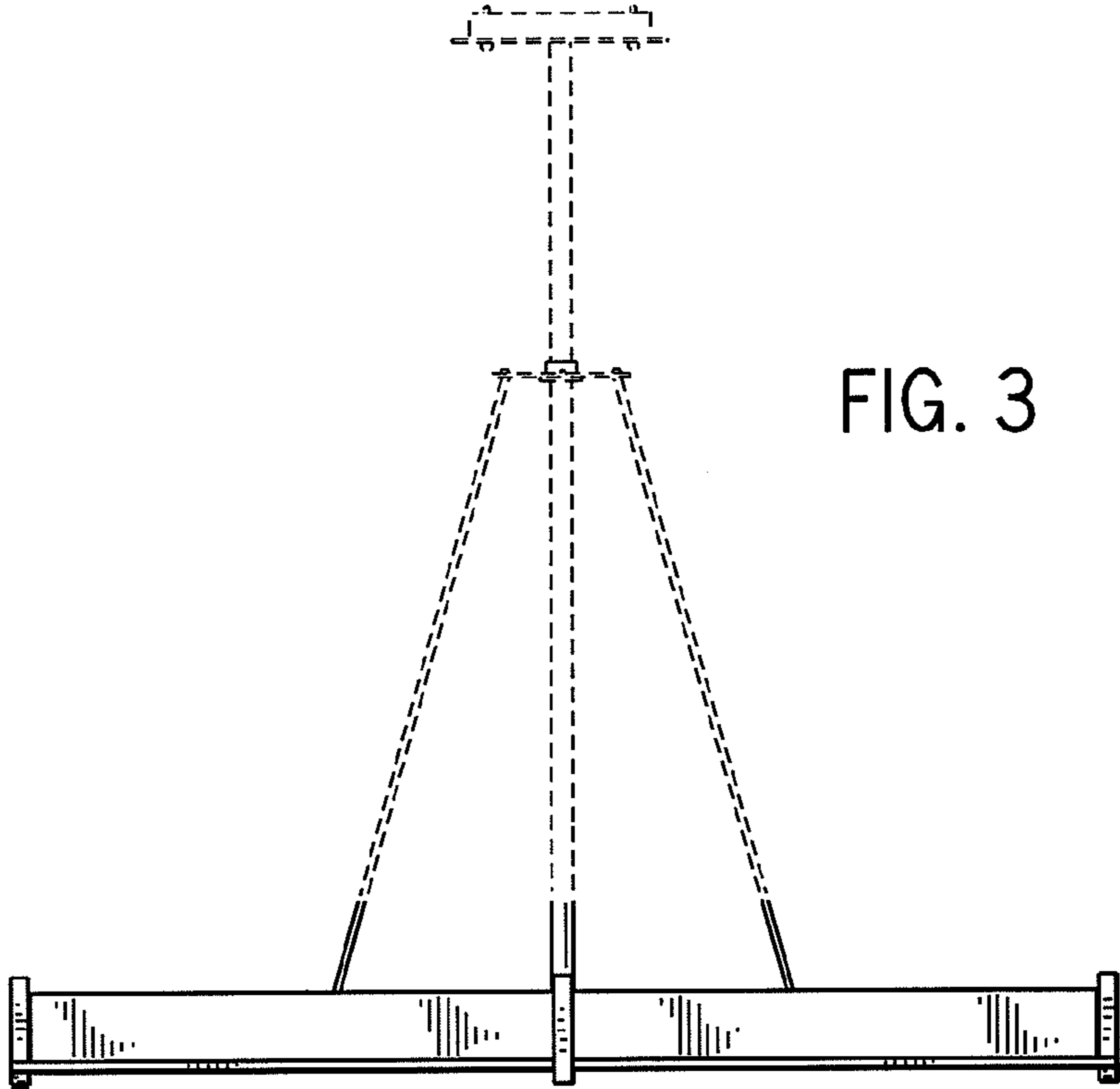


FIG. 3

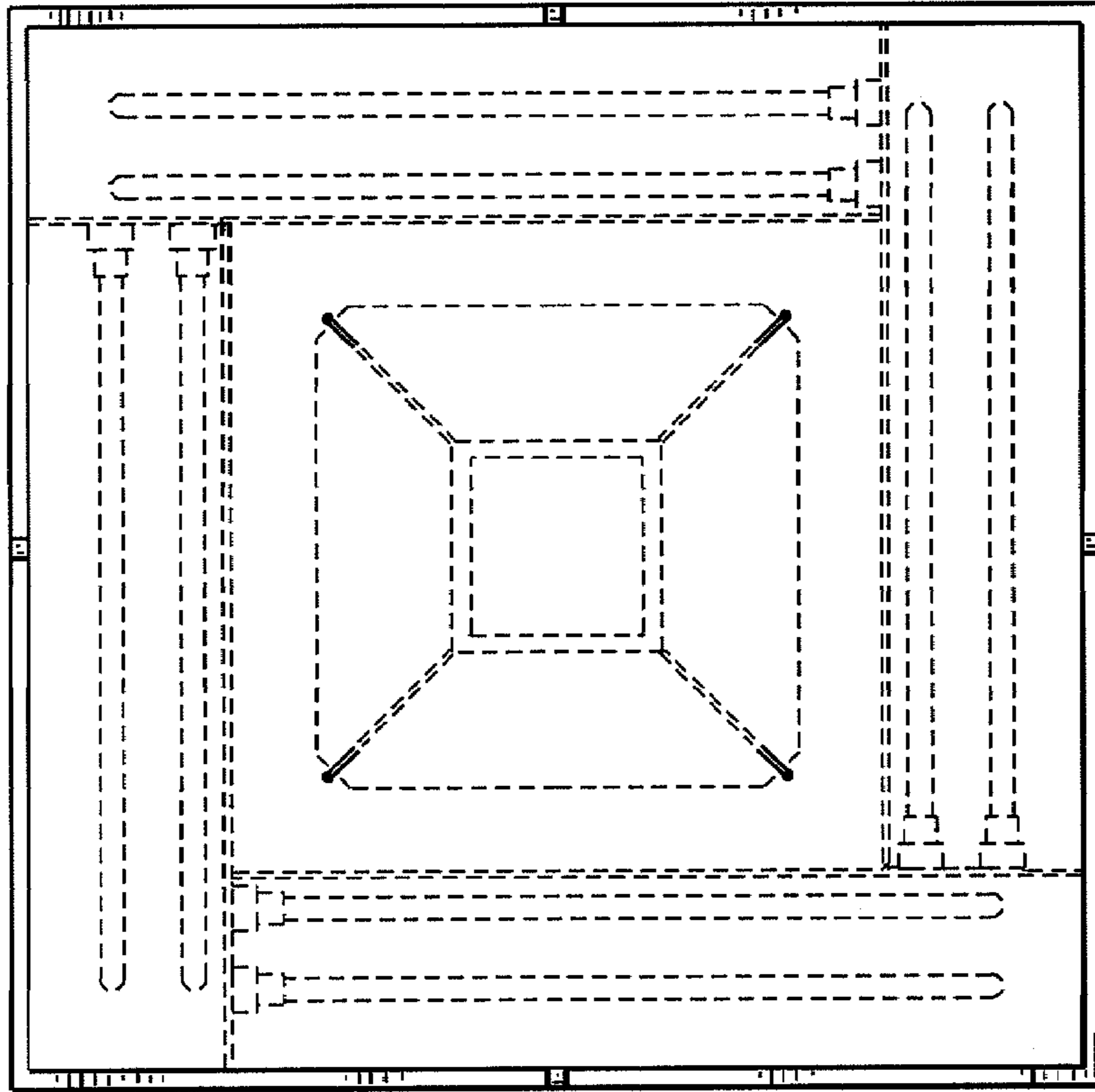


FIG. 4

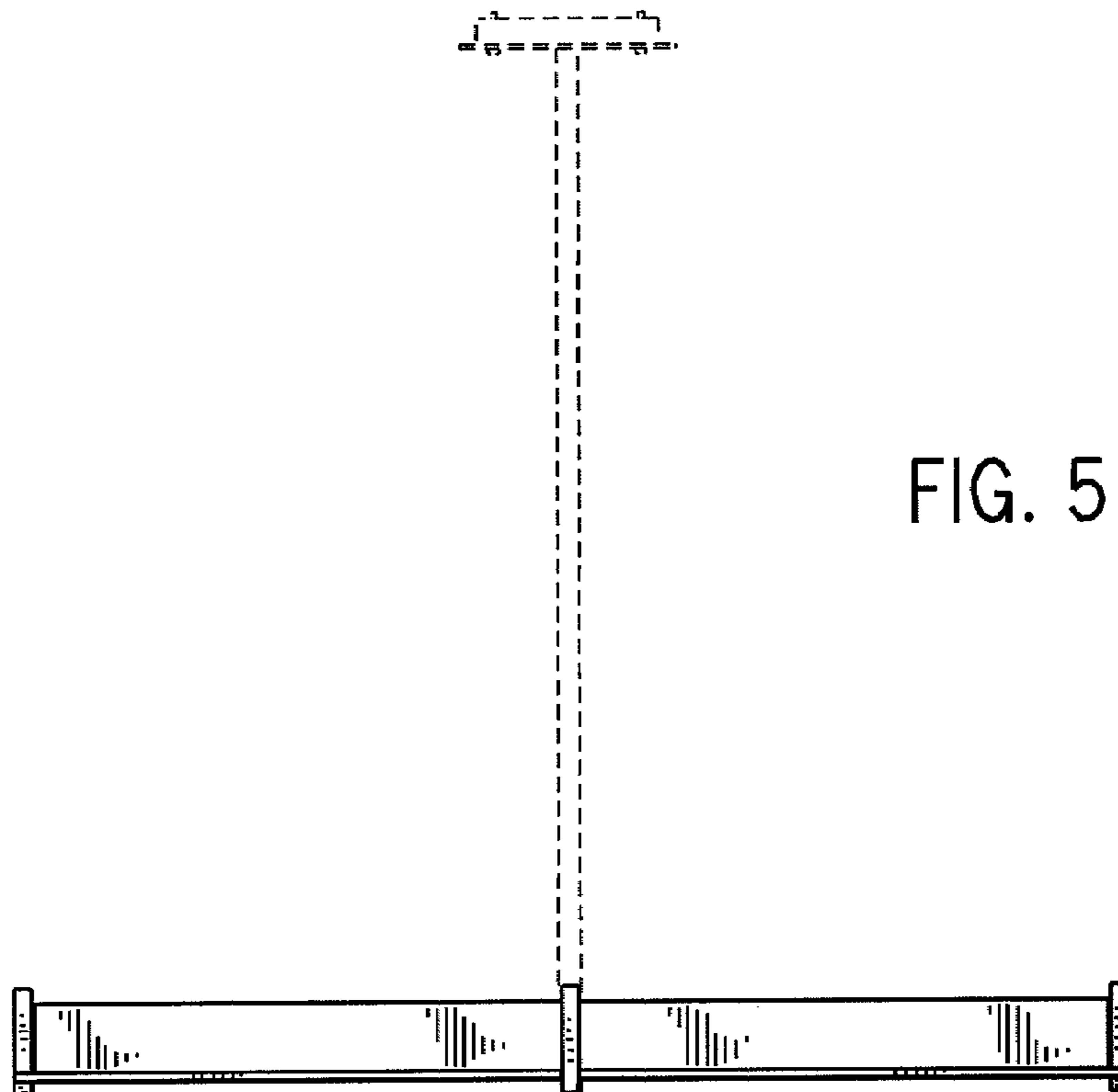
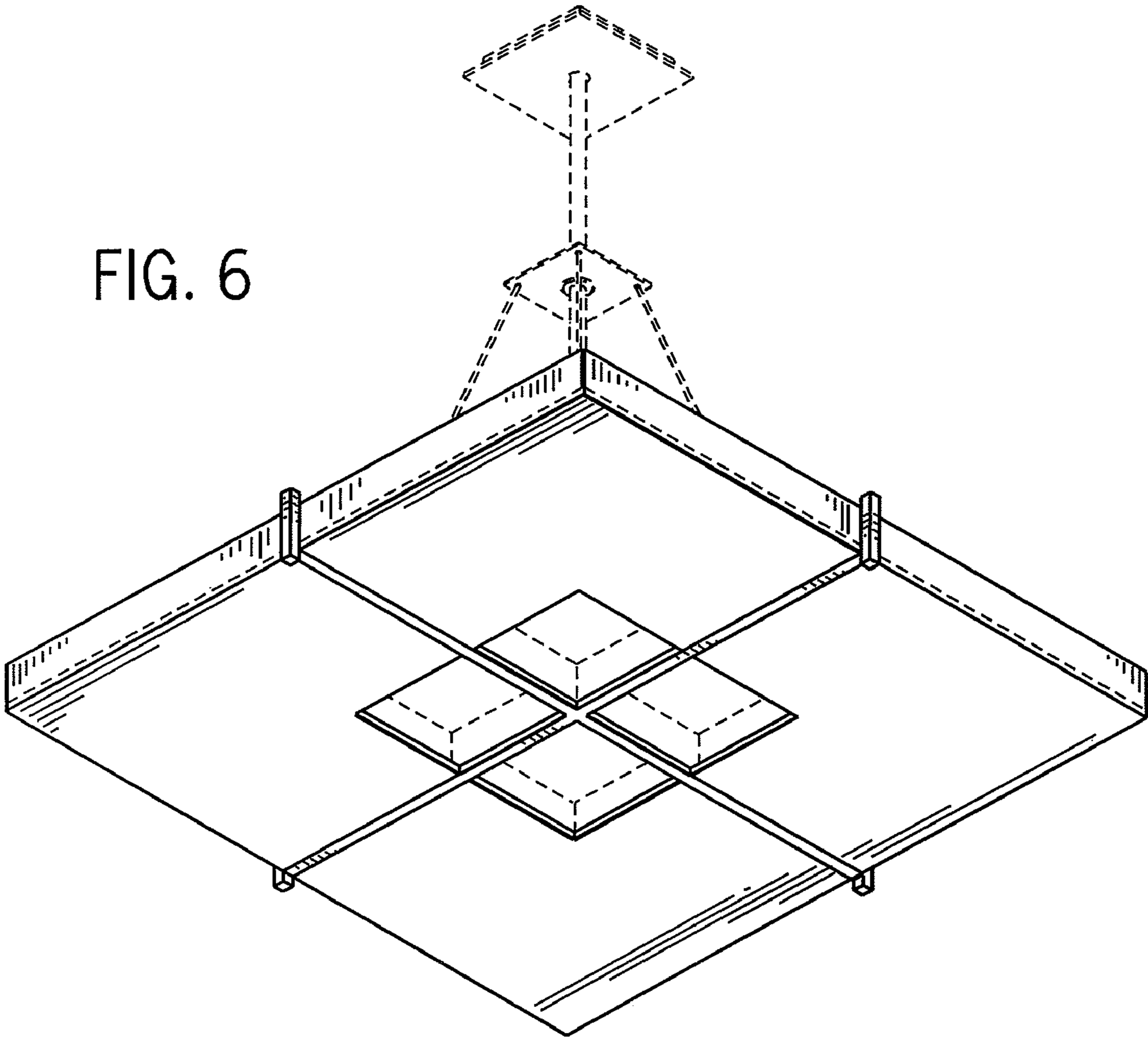


FIG. 5

FIG. 6



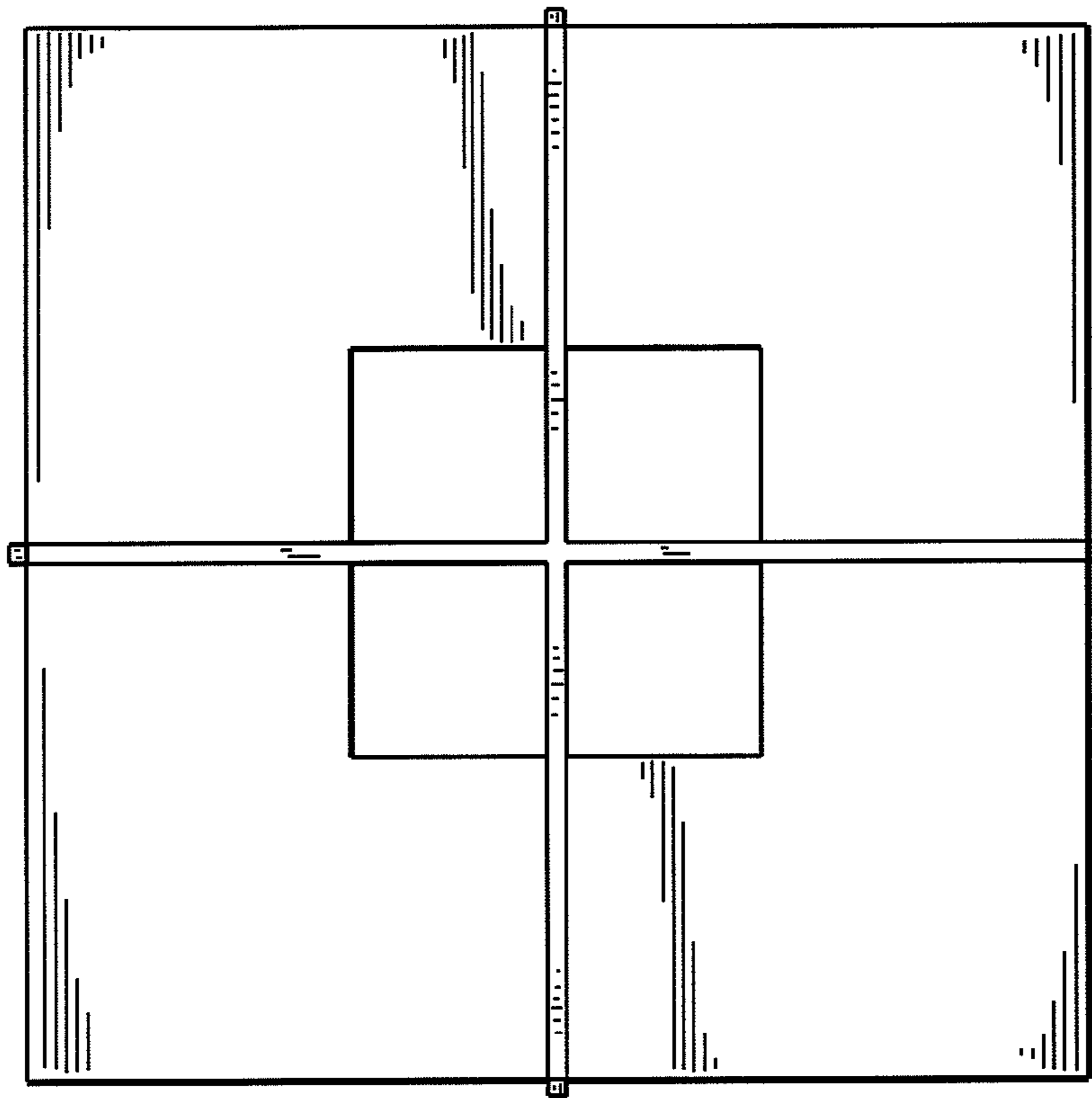


FIG. 7

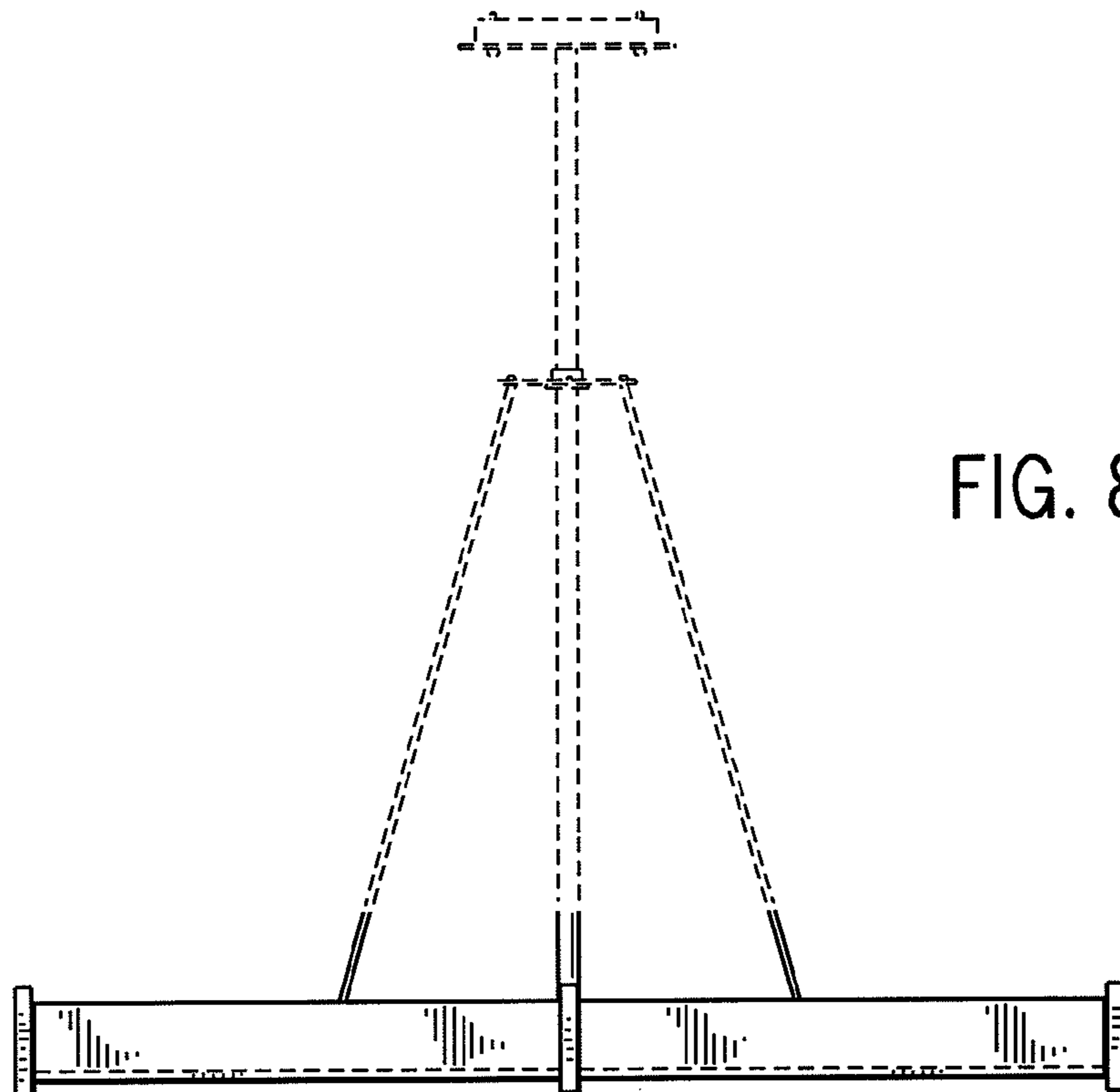


FIG. 8

FIG. 9

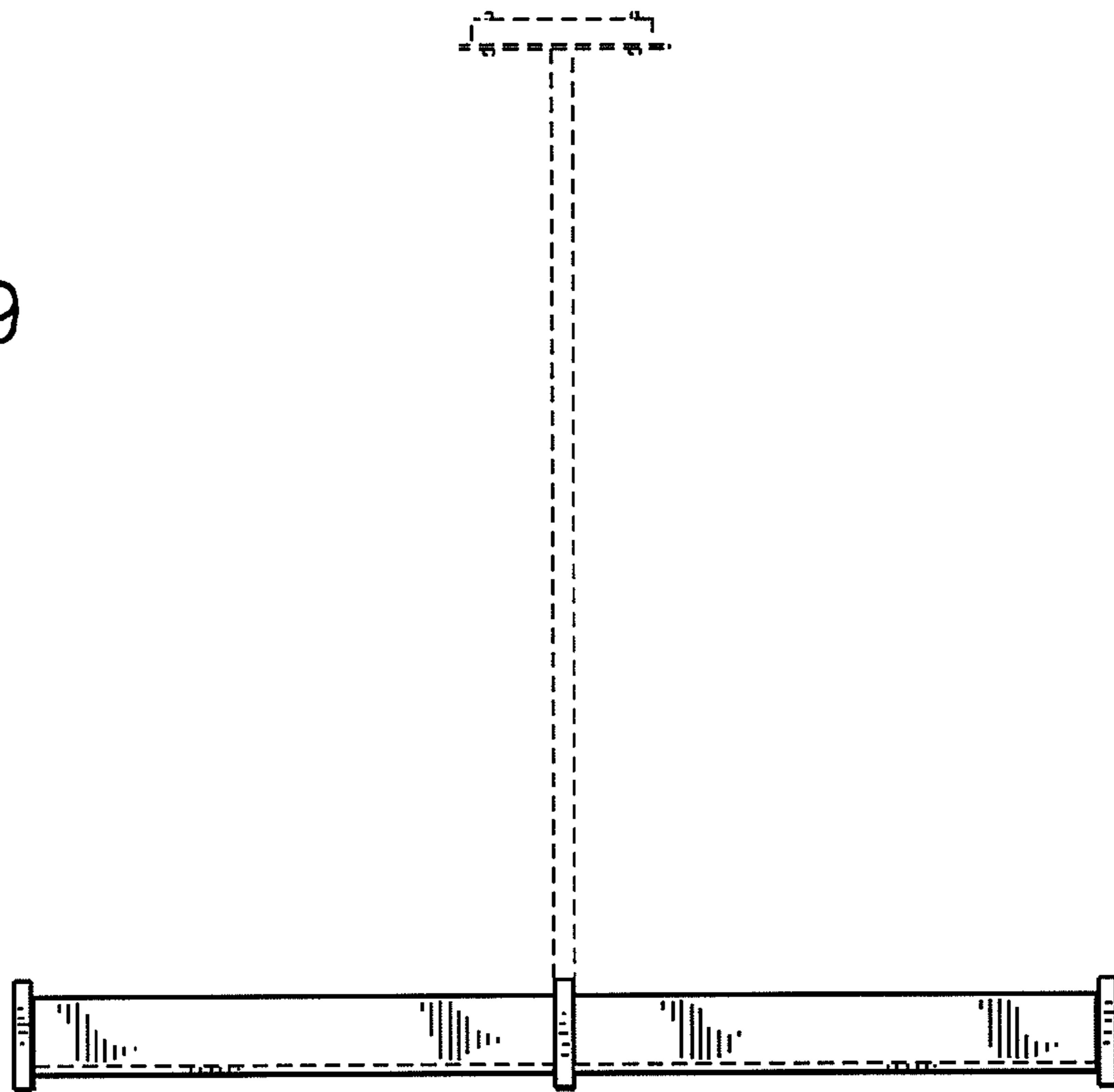


FIG. 10

