



US00D584438S

(12) **United States Design Patent**  
**Crawford et al.**

(10) **Patent No.:** **US D584,438 S**  
(45) **Date of Patent:** **\*\* Jan. 6, 2009**

(54) **SPOTLIGHT**

(75) Inventors: **John Crawford**, Avon, OH (US);  
**Donwoong Kang**, Camillus, NY (US);  
**Todd B. Abernethy**, Syracuse, NY (US);  
**Scott W. Osiecki**, Skaneateles, NY (US)

(73) Assignee: **Eveready Battery Company, Inc.**, St. Louis, MO (US)

(\*\*) Term: **14 Years**

(21) Appl. No.: **29/302,841**

(22) Filed: **Jan. 25, 2008**

(51) **LOC (9) Cl.** ..... **26-02**

(52) **U.S. Cl.** ..... **D26/46**

(58) **Field of Classification Search** ..... D26/37,  
D26/45, 46, 48, 49; 362/157, 158, 183, 184,  
362/185, 187, 189, 194-208

See application file for complete search history.

(56) **References Cited**

U.S. PATENT DOCUMENTS

5,654,594	A	8/1997	Bjornsen, III et al.	
D434,513	S *	11/2000	Poon	D26/45
6,230,431	B1	5/2001	Bear	
6,276,088	B1	8/2001	Matthews et al.	
D462,133	S *	8/2002	Krieger et al.	D26/45
D504,533	S *	4/2005	Hussaini et al.	D26/45
D508,578	S *	8/2005	Shen	D26/45
6,945,666	B2	9/2005	Wolfson	
D526,731	S *	8/2006	Cheung et al.	D26/45

D532,541	S *	11/2006	Krieger et al.	D26/45
D565,767	S *	4/2008	Ben-Moshe	D26/45
2003/0223227	A1	12/2003	Levine	
2006/0133089	A1	6/2006	Reid et al.	

\* cited by examiner

*Primary Examiner*—Jeffrey D Asch

*Assistant Examiner*—Carissa C Fitts

(74) *Attorney, Agent, or Firm*—Gregory J. Adams

(57) **CLAIM**

We claim the ornamental design for a spotlight, as shown and described.

**DESCRIPTION**

FIG. 1 is a top perspective view of a spotlight, showing our new design;

FIG. 2 is a left side perspective view thereof;

FIG. 3 is a right side view thereof;

FIG. 4 is a left side view thereof;

FIG. 5 is a front view thereof;

FIG. 6 is a rear view thereof;

FIG. 7 is a top plan view thereof; and,

FIG. 8 is a bottom plan view thereof.

The broken lines that show the outermost periphery of non-claimed features represent the boundaries of the claimed design while all other broken lines are directed to environment and are for illustrative purposes only; the broken lines form no part of the claimed design.

**1 Claim, 8 Drawing Sheets**

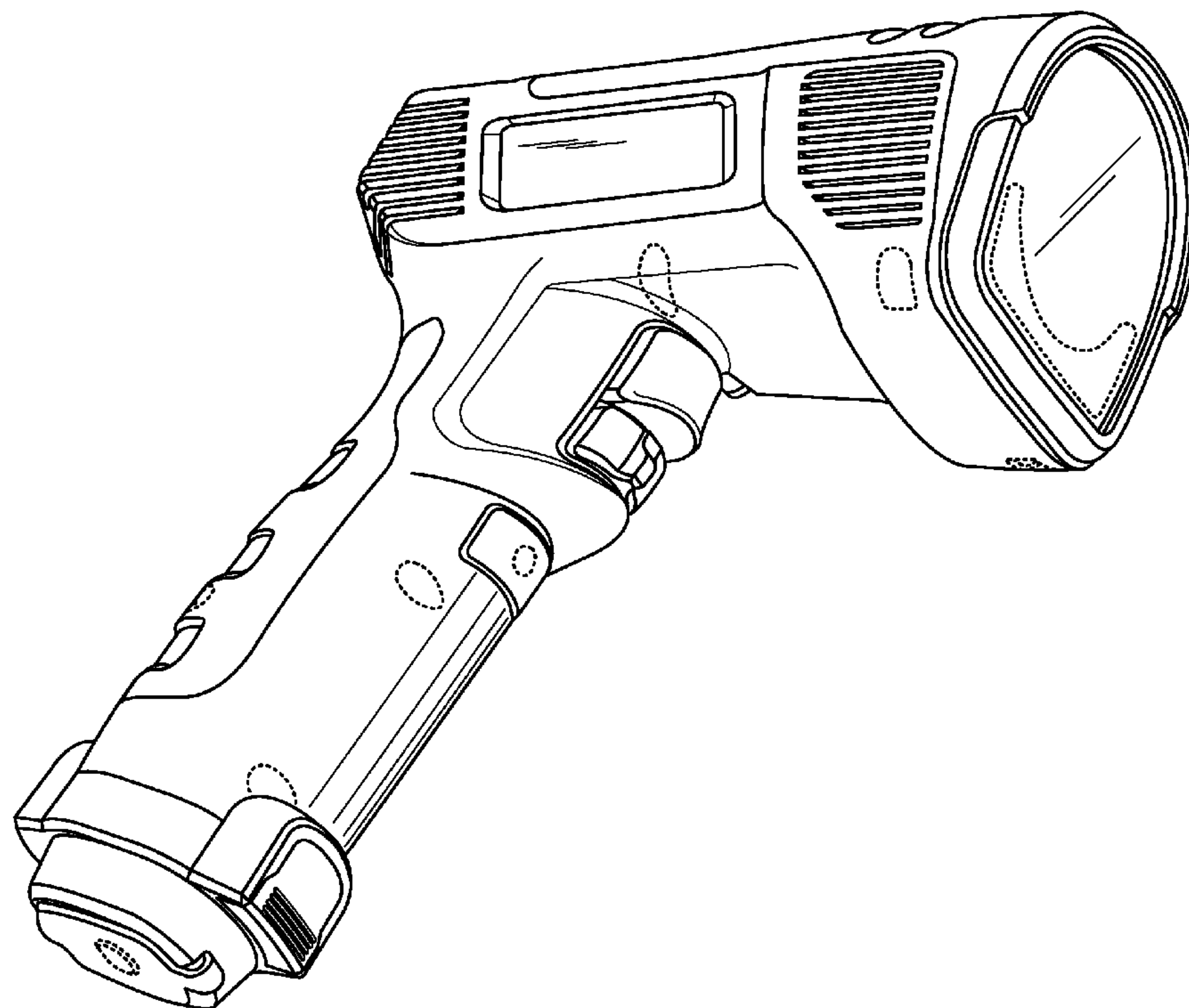
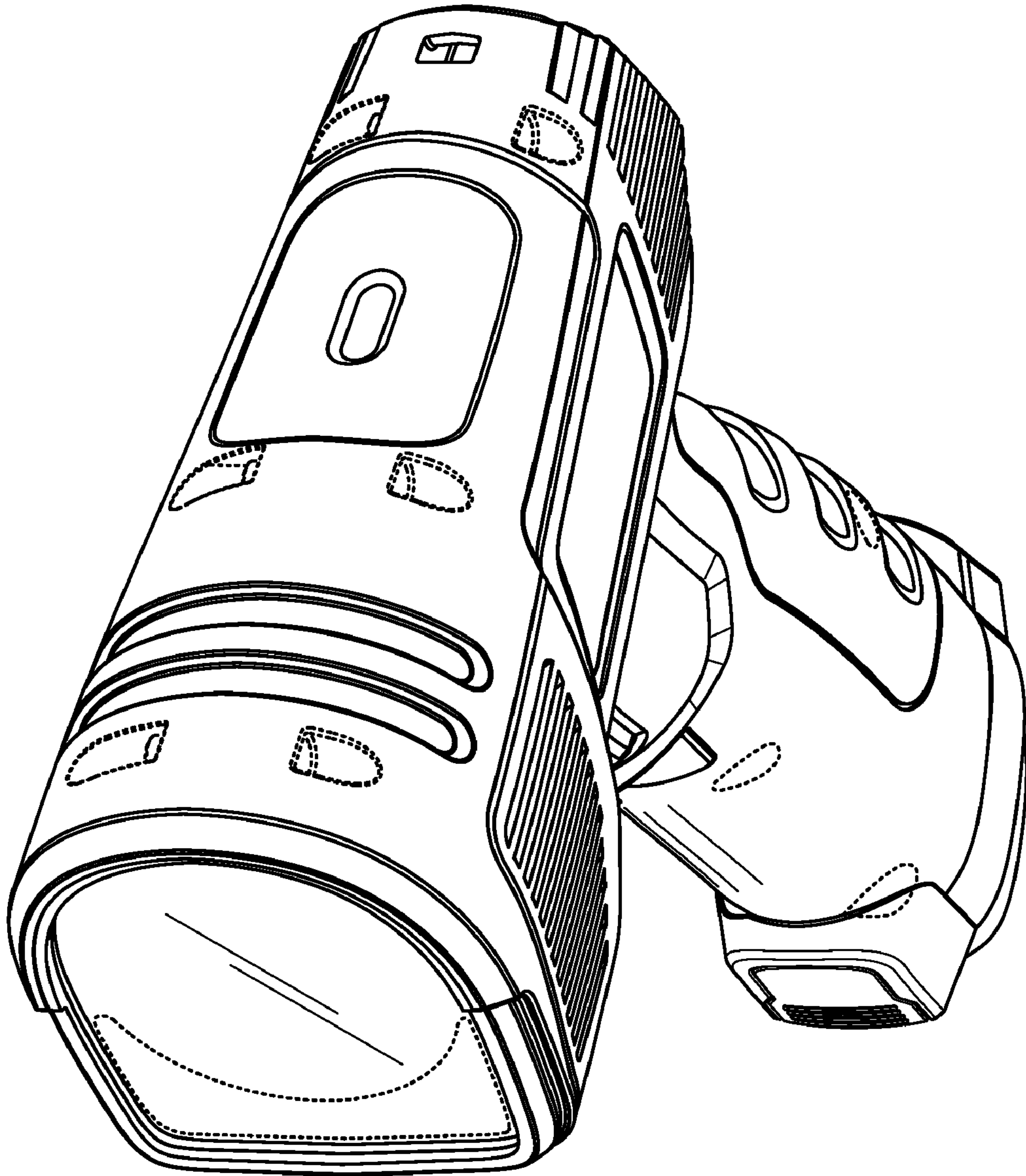


FIG. 1



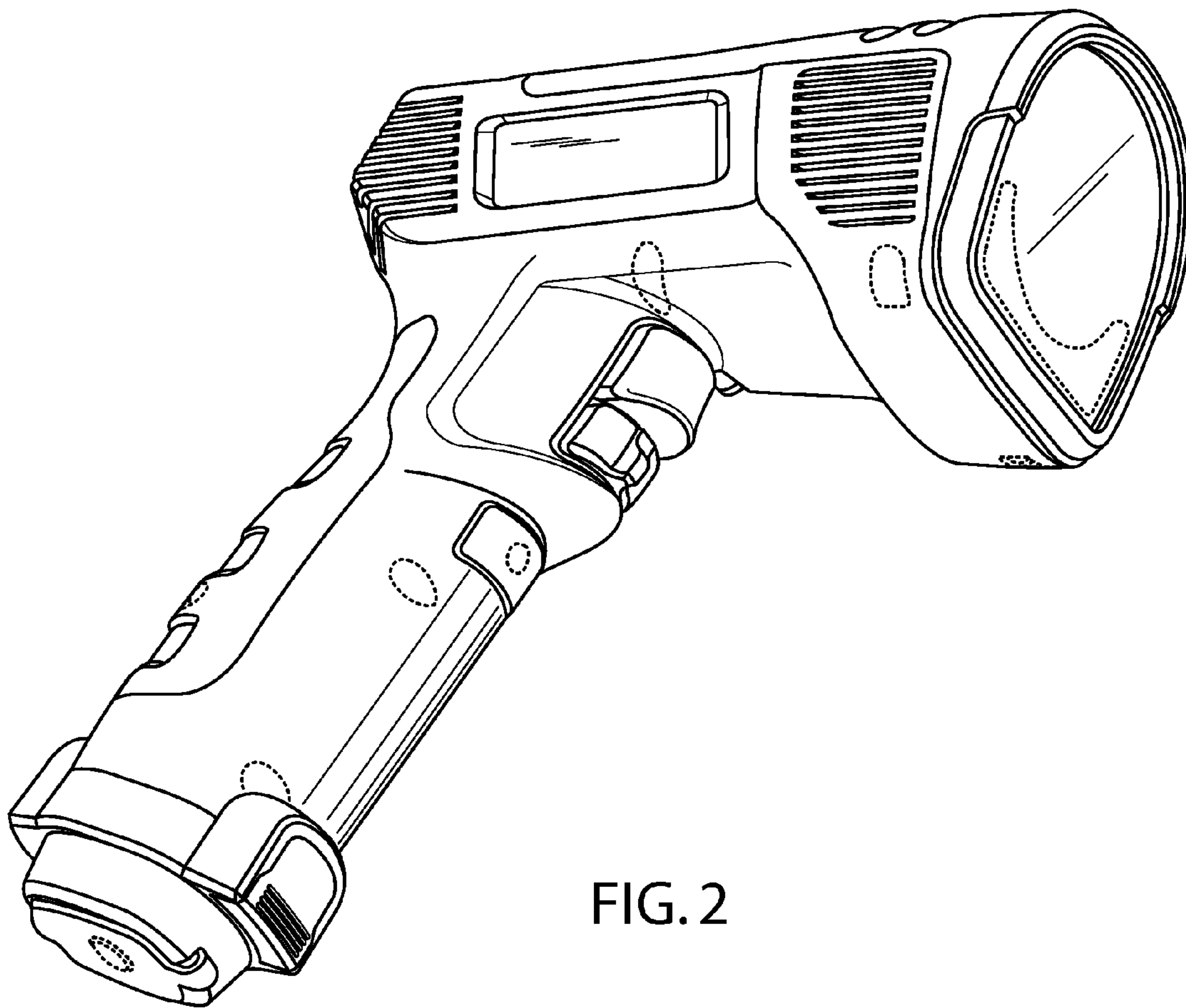


FIG. 2

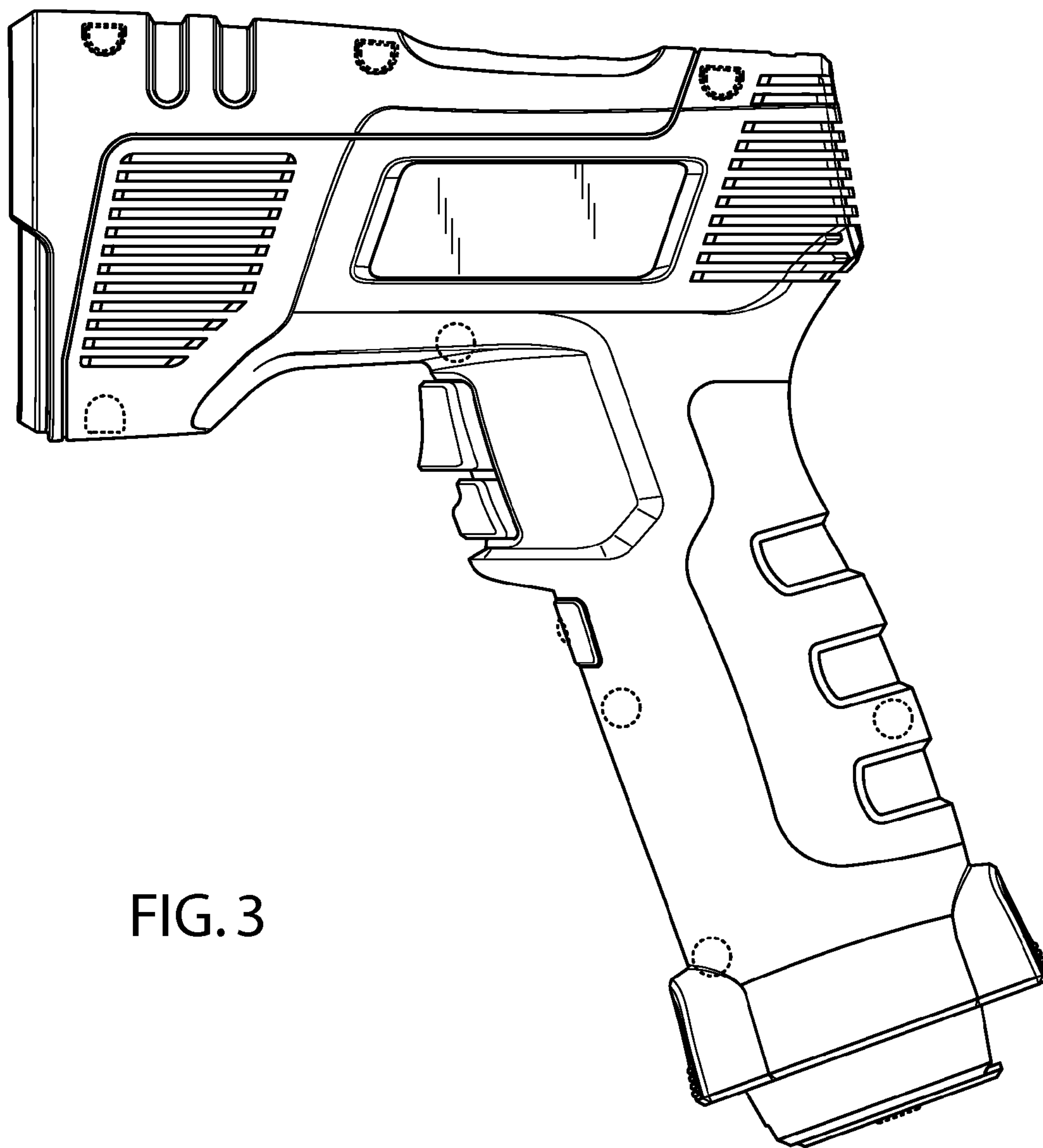


FIG. 3



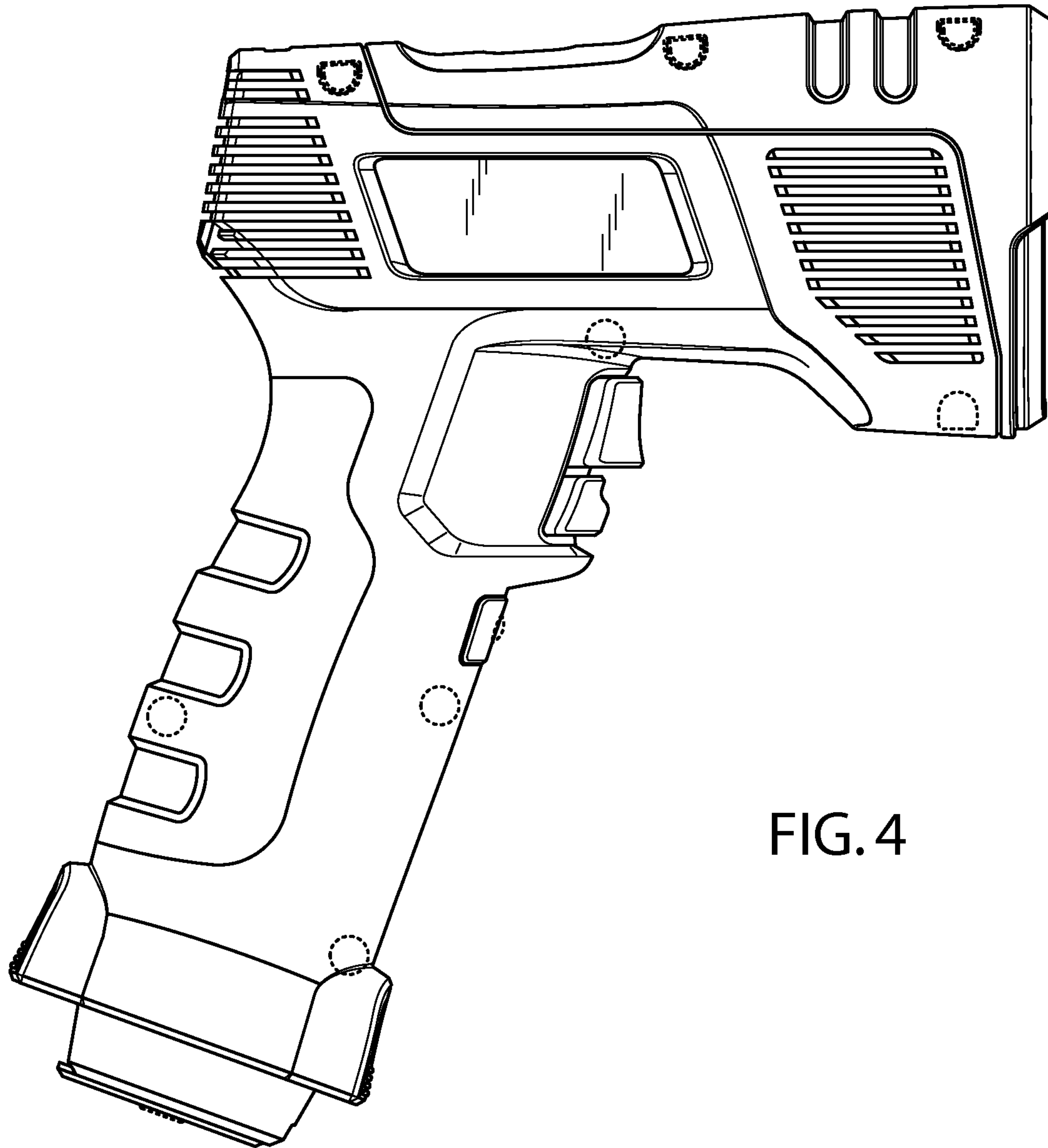


FIG. 4

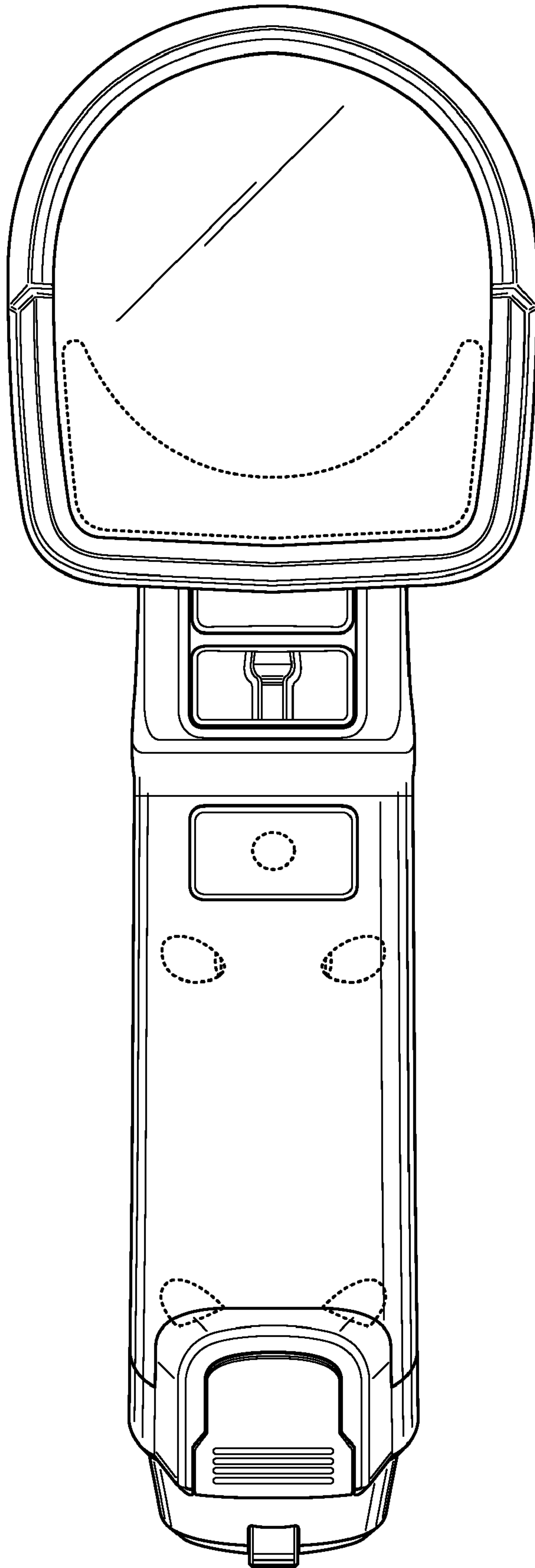


FIG. 5

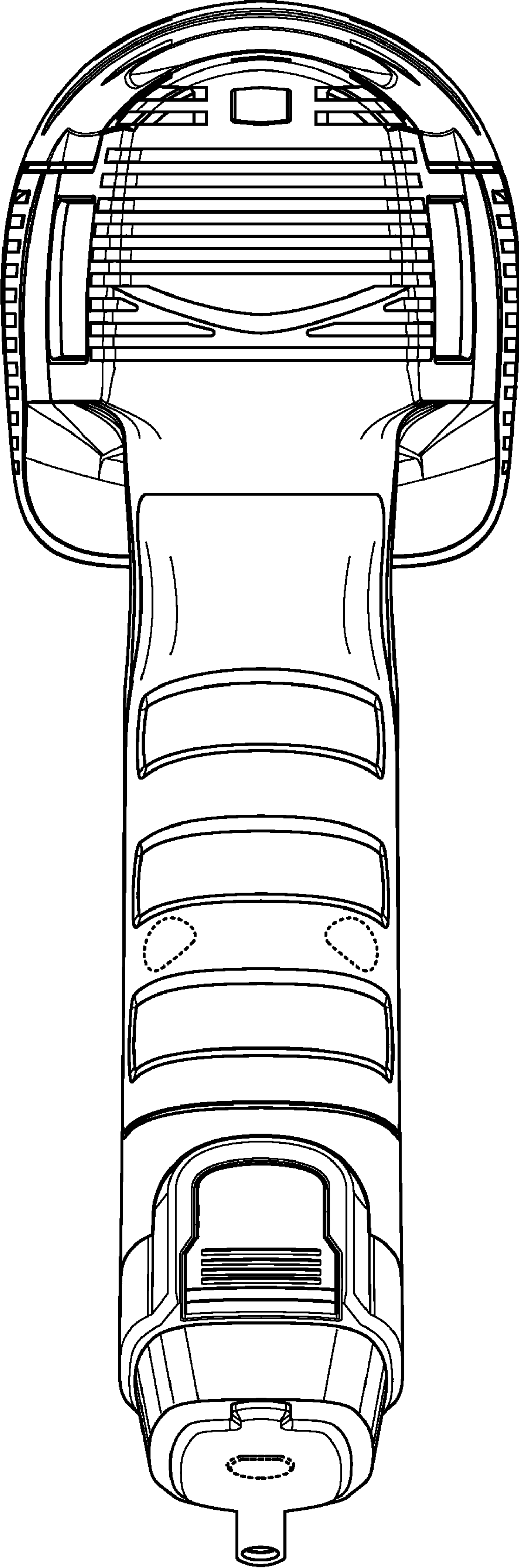


FIG. 6

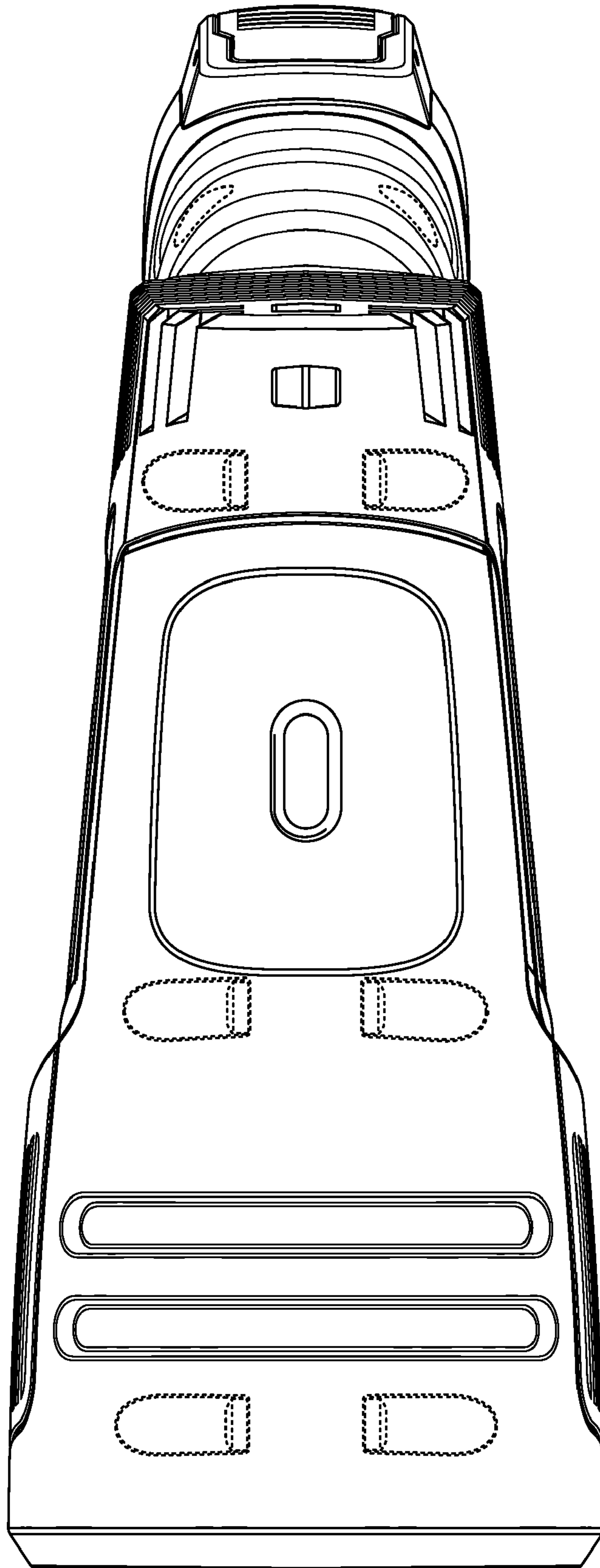


FIG. 7



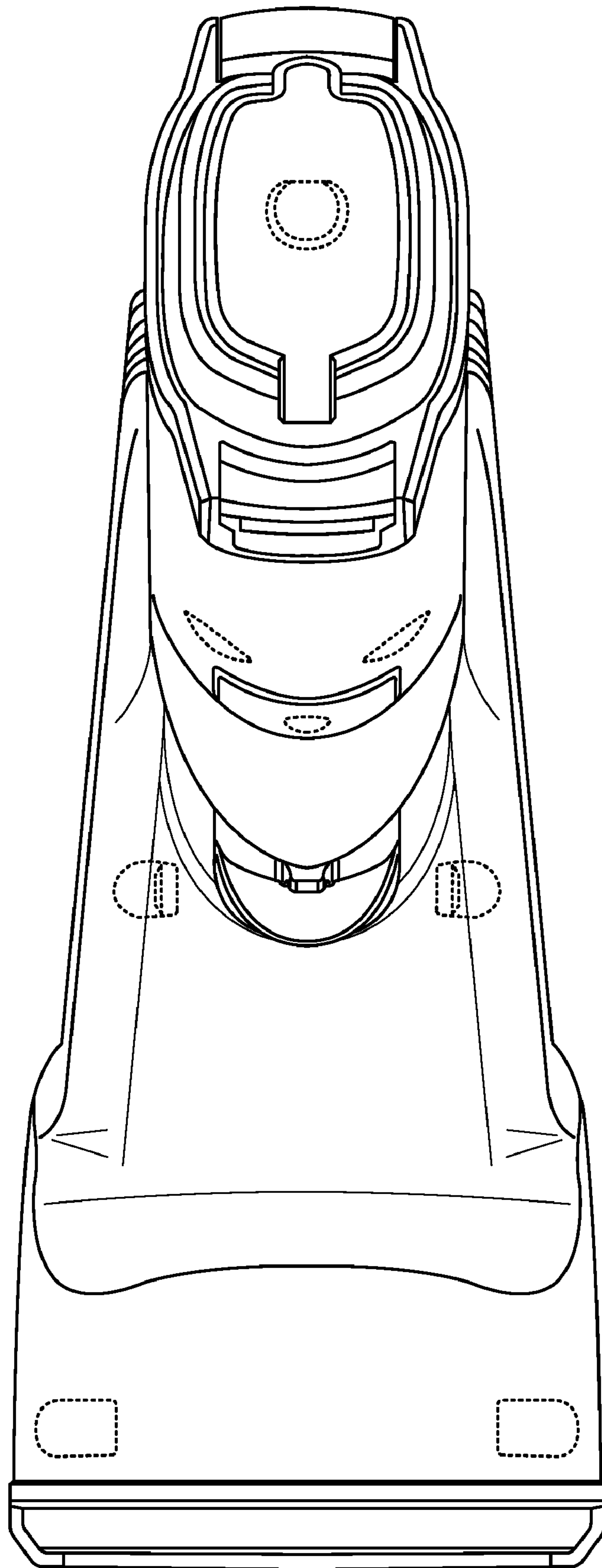


FIG. 8