



US00D584435S

(12) **United States Design Patent**
Hsu

(10) **Patent No.:** **US D584,435 S**
(45) **Date of Patent:** **** Jan. 6, 2009**

(54) **VEHICLE REAR LAMP**

(76) Inventor: **Hong Ming Hsu**, No. 152, Sec 2,
Funong St. East District, Tainan City 701
(TW)

(**) Term: **14 Years**

(21) Appl. No.: **29/305,545**

(22) Filed: **Mar. 22, 2008**

(51) **LOC (9) Cl.** **26-06**

(52) **U.S. Cl.** **D26/28**

(58) **Field of Classification Search** D26/28-36;
362/459-468, 475-478, 485-487

See application file for complete search history.

(56) **References Cited**

U.S. PATENT DOCUMENTS

D560,292 S *	1/2008	Sato	D26/28
D561,357 S *	2/2008	Leclercq et al.	D26/28
D565,211 S *	3/2008	Haller et al.	D26/28
D570,015 S *	5/2008	Hsu	D26/28

* cited by examiner

Primary Examiner—Marcus A. Jackson
(74) *Attorney, Agent, or Firm*—Alexander Chen, Esq.

(57) **CLAIM**

The ornamental design for a vehicle rear lamp, as shown and described.

DESCRIPTION

FIG. 1 is perspective view from the front right of a vehicle rear lamp. The drawings and descriptions represent the right side embodiment. The design also contemplates a mirror symmetrical embodiment on the left side of the vehicle. The dash line included denotes environment and is not part of the claimed design.

FIG. 2 is a front elevation view thereof;

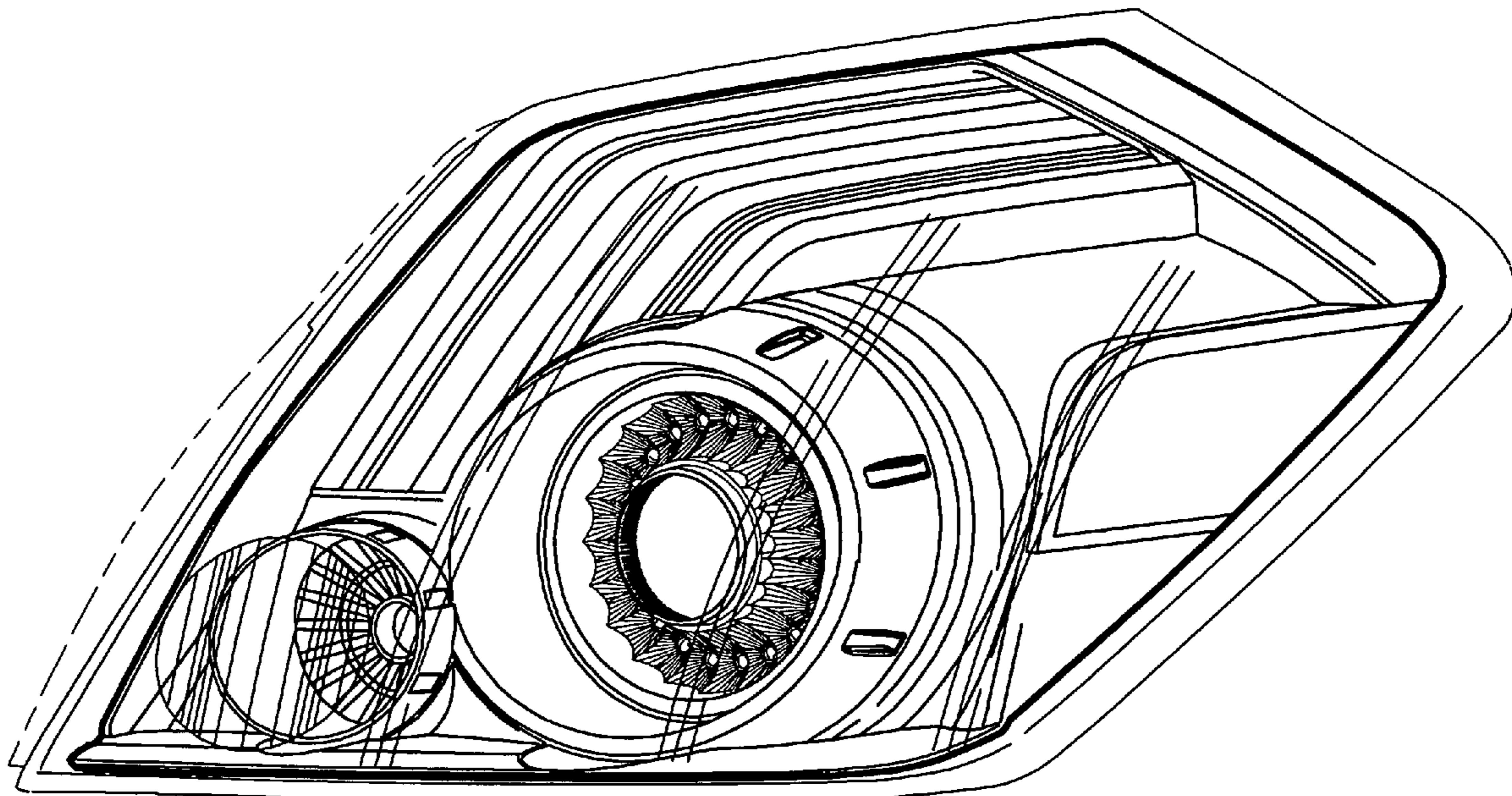
FIG. 3 is a right elevation view thereof;

FIG. 4 is a top view thereof;

FIG. 5 is an exploded perspective view from the front right thereof; and,

FIG. 6 is an exploded front elevation view thereof.

1 Claim, 6 Drawing Sheets



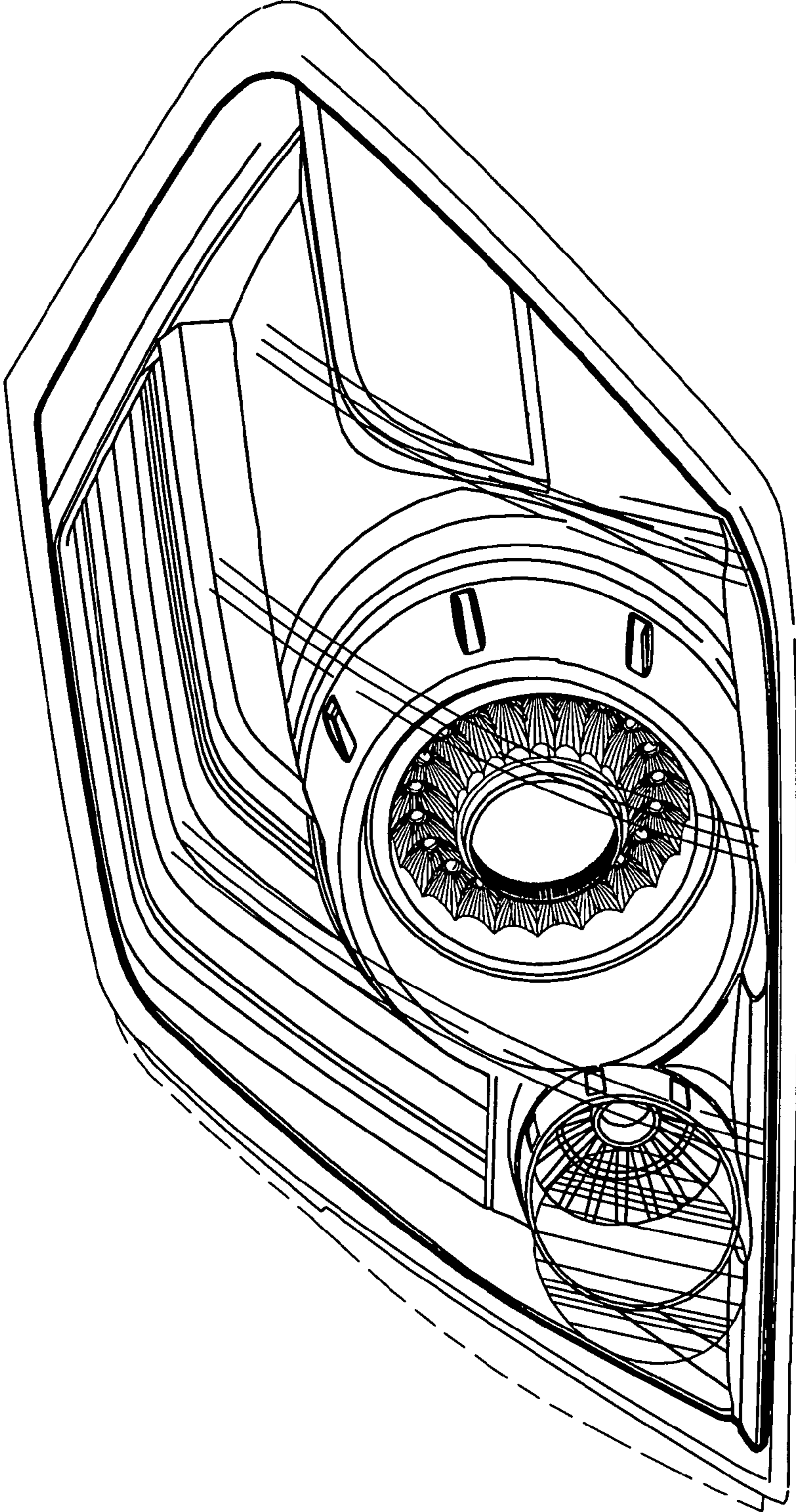


FIG. 1

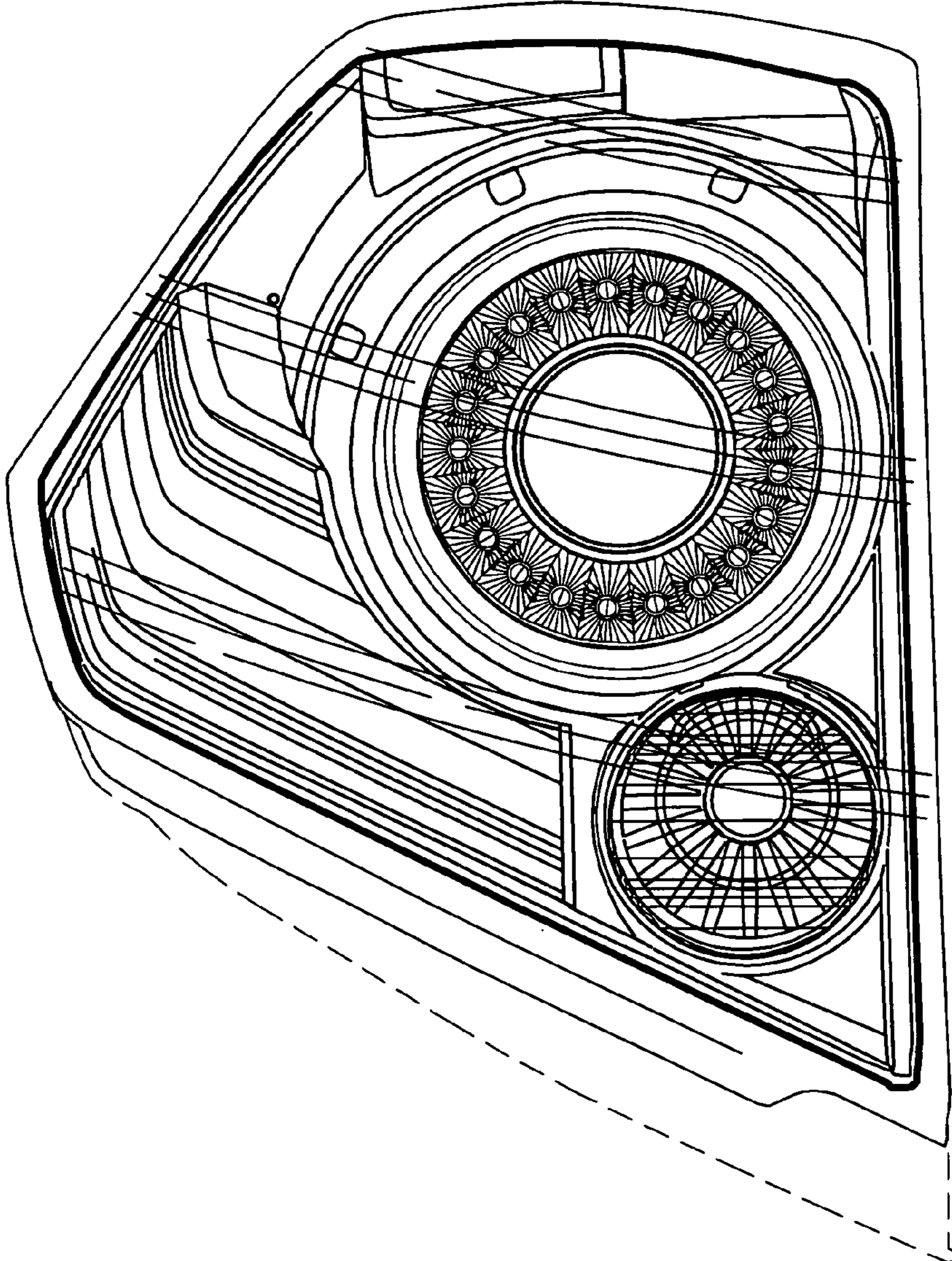


FIG. 2

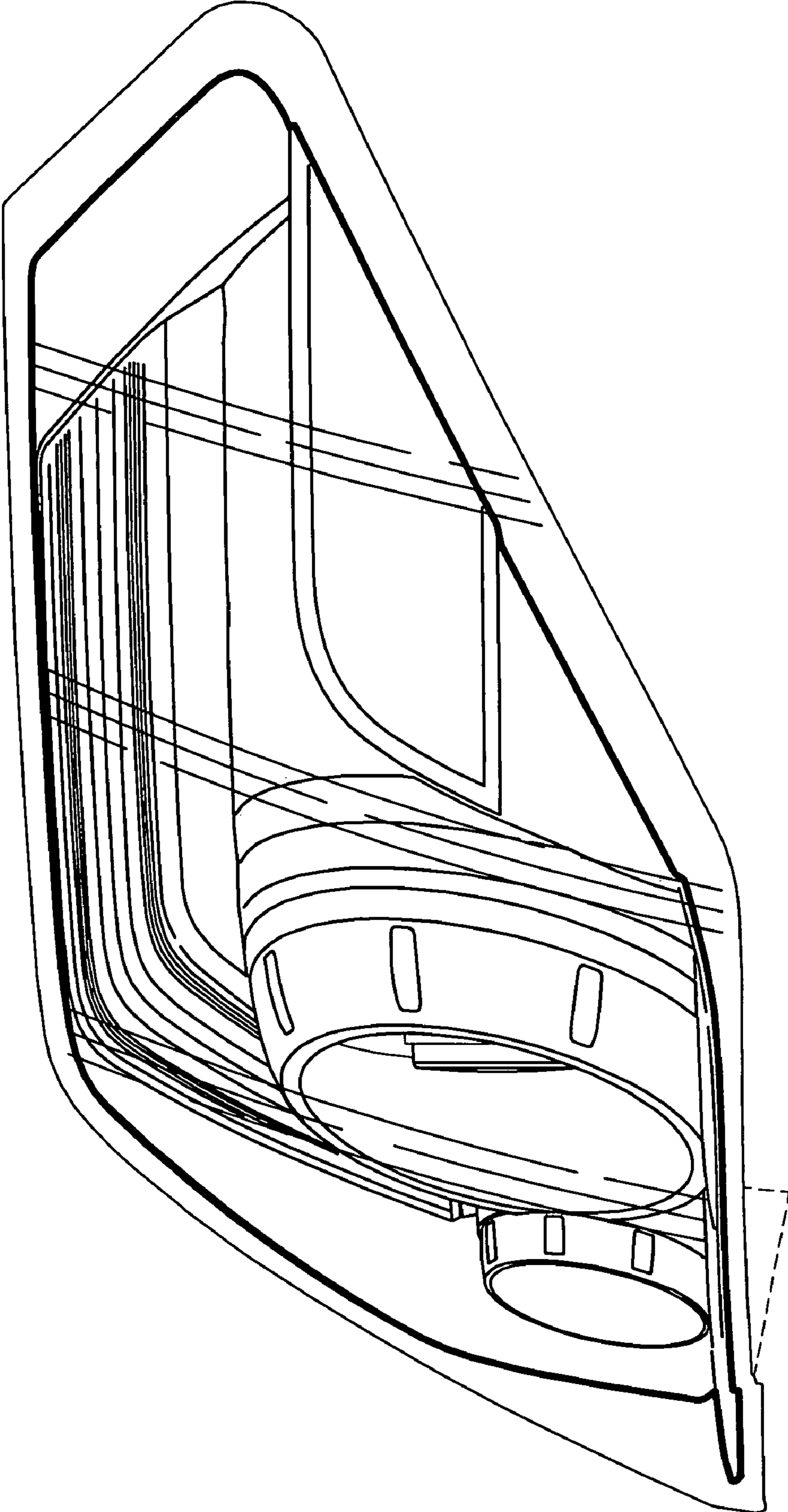


FIG. 3

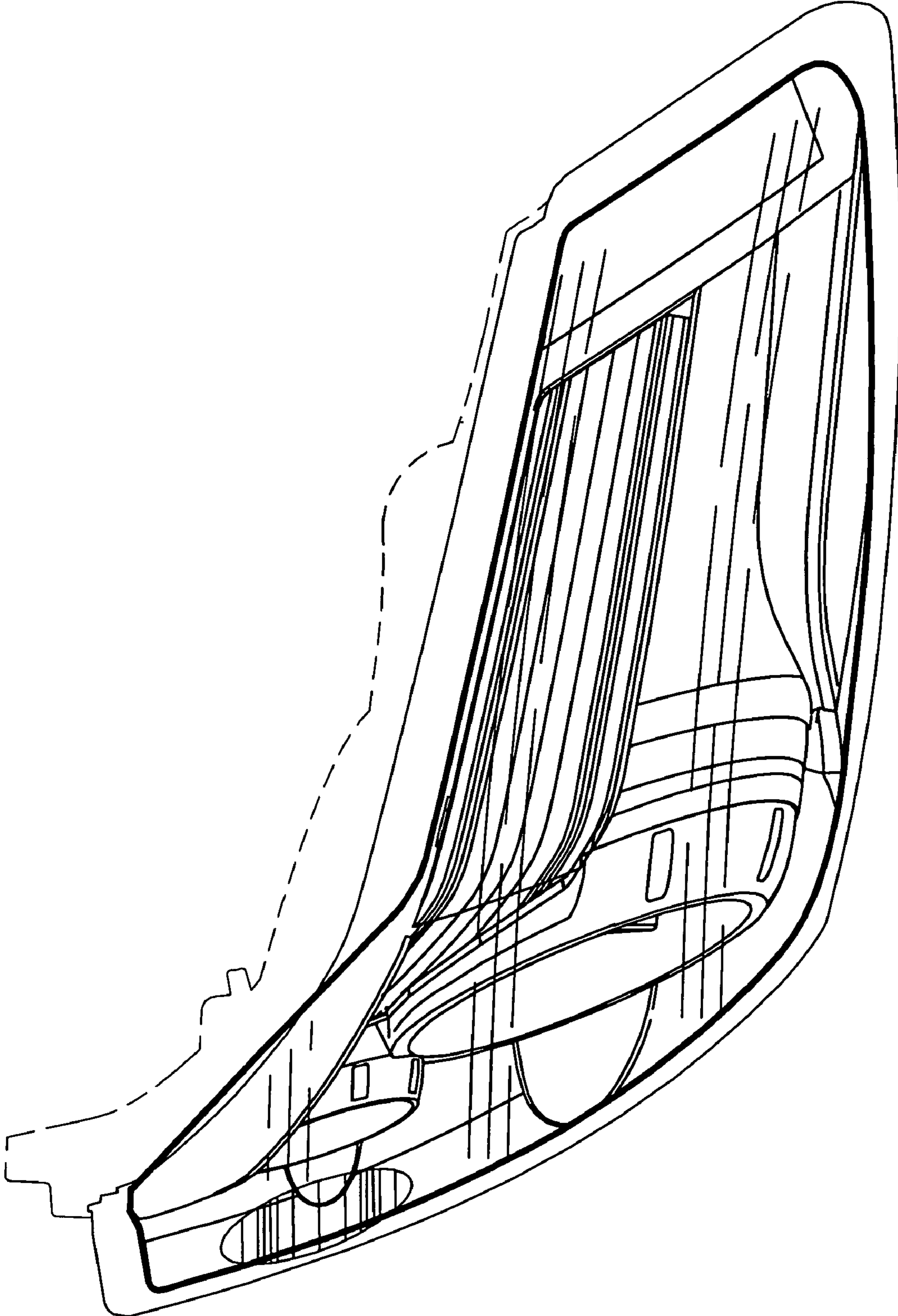


FIG. 4

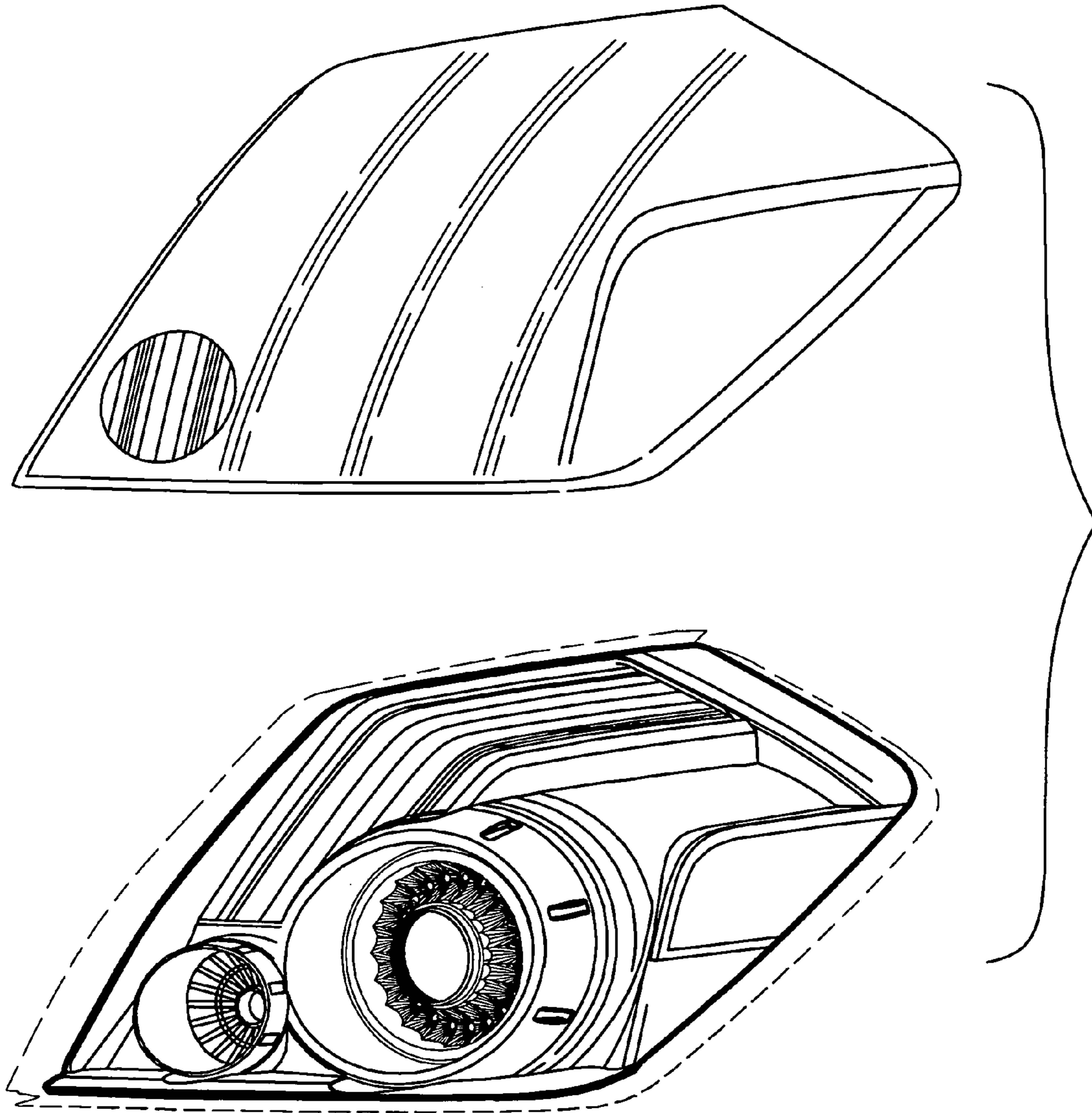


FIG. 5

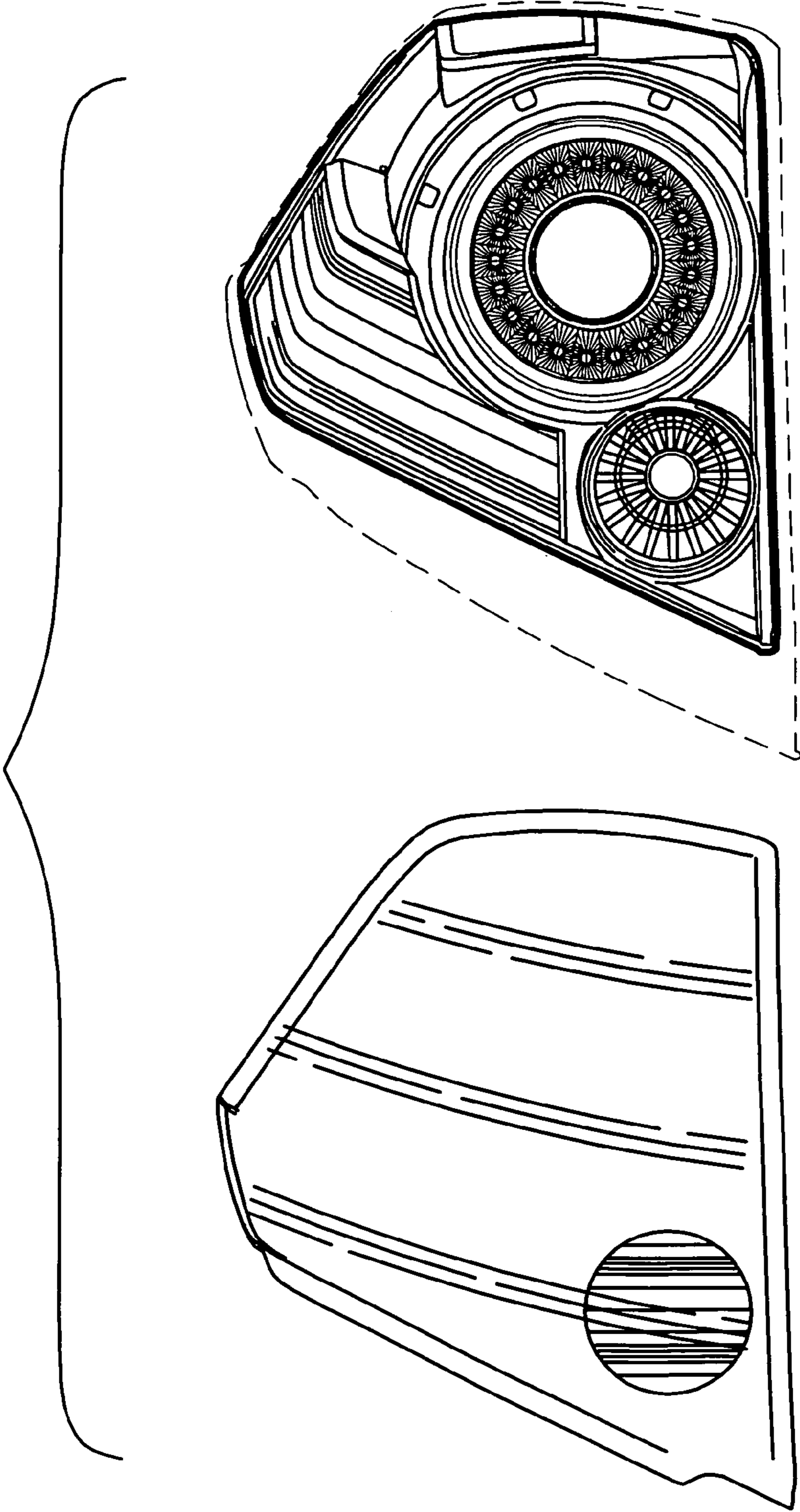


FIG. 6