



US00D584431S

(12) **United States Design Patent**
Meise et al.

(10) **Patent No.:** **US D584,431 S**
(45) **Date of Patent:** **** Jan. 6, 2009**

(54) **CANDLE HOLDER**

(76) Inventors: **Axel Meise**, Lindenstr. 4a, D-81545 München (DE); **Christoph Kügler**, Falkenstrasse 42, D-81541 München (DE); **Wolfgang Körfer**, Untere Weidenstr 19, D-81543 München (DE)

(**) Term: **14 Years**

(21) Appl. No.: **29/247,425**

(22) Filed: **Jun. 16, 2006**

(51) **LOC (9) Cl.** **26-01**

(52) **U.S. Cl.** **D26/11; D26/9**

(58) **Field of Classification Search** D26/6-23; D9/635, 435, 541, 447, 454; D7/572, 575, D7/536, 584; D11/160, 96; 431/288-297, 431/125, 126; 362/806-810

See application file for complete search history.

(56) **References Cited**

U.S. PATENT DOCUMENTS

D207,413 S *	4/1967	Gardner	D26/6
D218,279 S *	8/1970	Perkins	D8/308
D331,633 S *	12/1992	Perkins	D26/11
D396,309 S *	7/1998	Churchville et al.	D26/10
D479,010 S *	8/2003	Patel et al.	D26/6

* cited by examiner

Primary Examiner—Louis S. Zarfaz
Assistant Examiner—Gregory Andoll

(74) *Attorney, Agent, or Firm*—24IP Law Group USA; Timothy R. DeWitt

(57) **CLAIM**

The ornamental design for candle holder, as shown and described.

DESCRIPTION

FIG. 1 is a perspective view of a first embodiment of a candle holder showing our new design;

FIG. 2 a perspective view of the first embodiment of a candle holder of FIG. 1, with the candle and circular disc-like glass plates not illustrated;

FIG. 3 is a perspective view of a second embodiment of a candle holder showing our new design;

FIG. 4 a perspective view of the second embodiment of a candle holder of FIG. 3, with the candle and circular disc-like glass plates not illustrated;

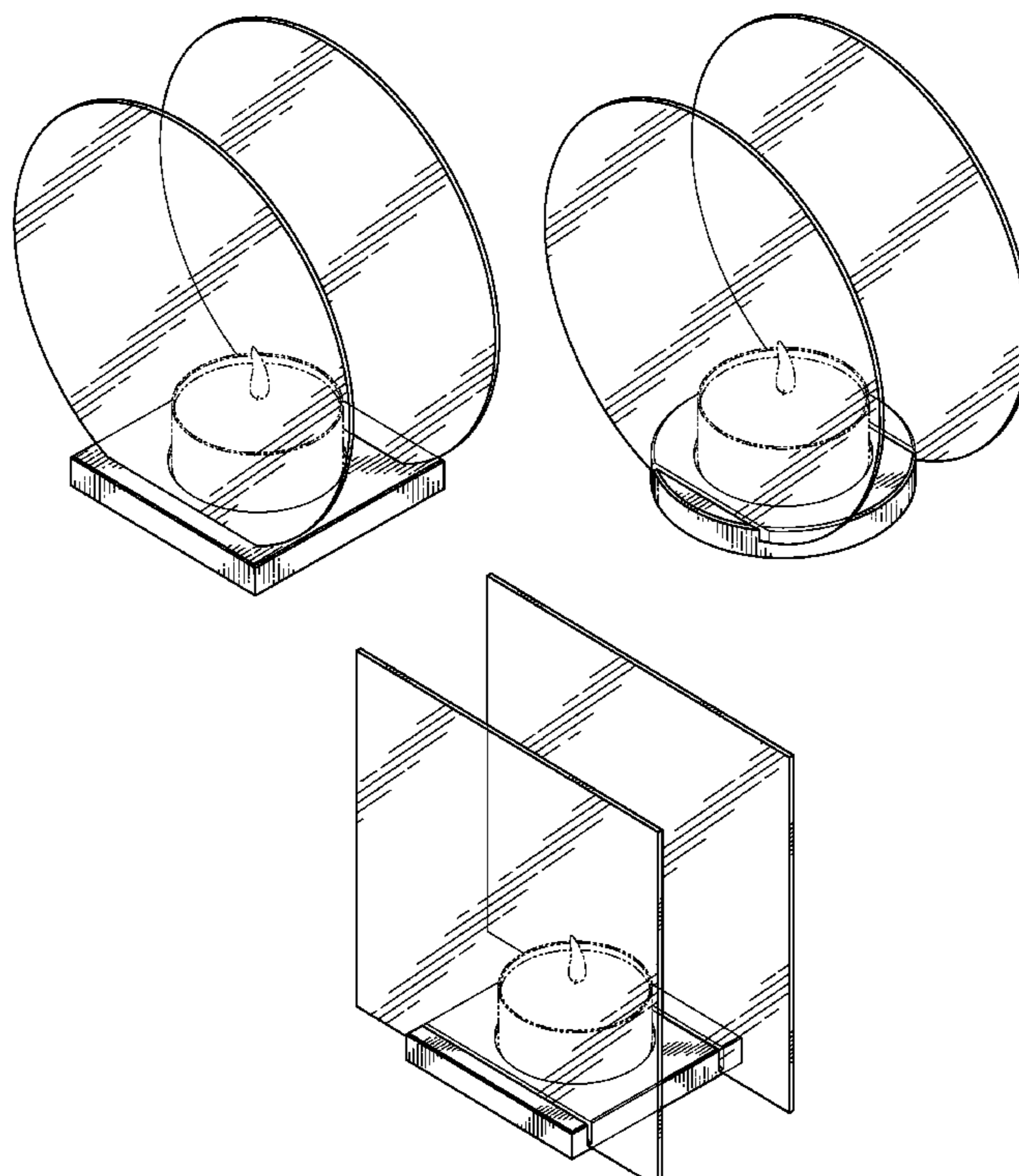
FIG. 5 is a perspective view of a third embodiment of a candle holder showing our new design; and,

FIG. 6 a perspective view of the third embodiment of a candle holder of FIG. 5, with the candle and square glass plates not illustrated.

Portions of the claimed design which are not illustrated in the drawing disclosure are mirror images of corresponding opposite portions of the design.

The broken line showing of the candle and flame in FIGS. 1, 3 and 5 is for illustrative purposes only and forms no part of the claimed design.

1 Claim, 3 Drawing Sheets



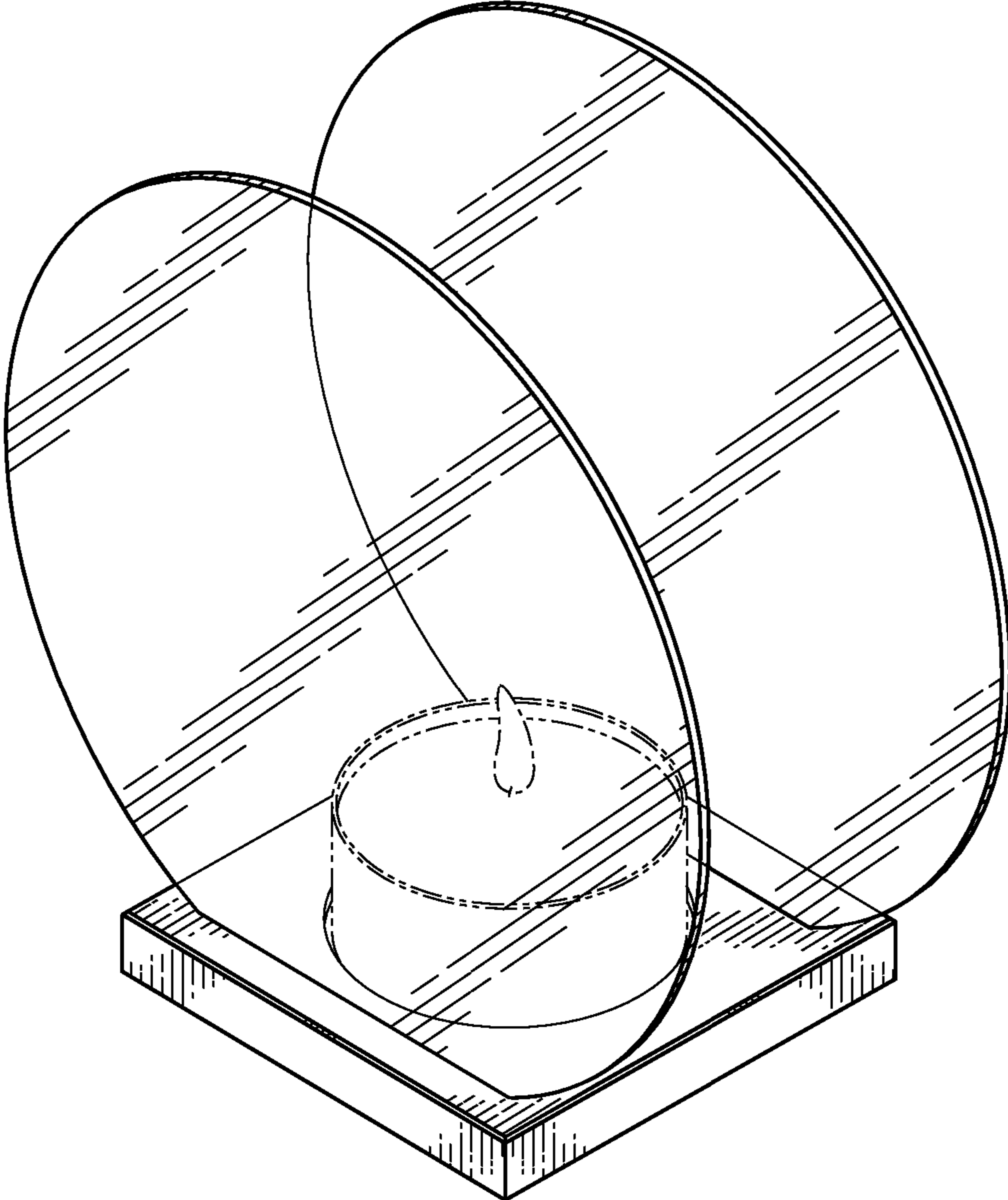


FIG. 1

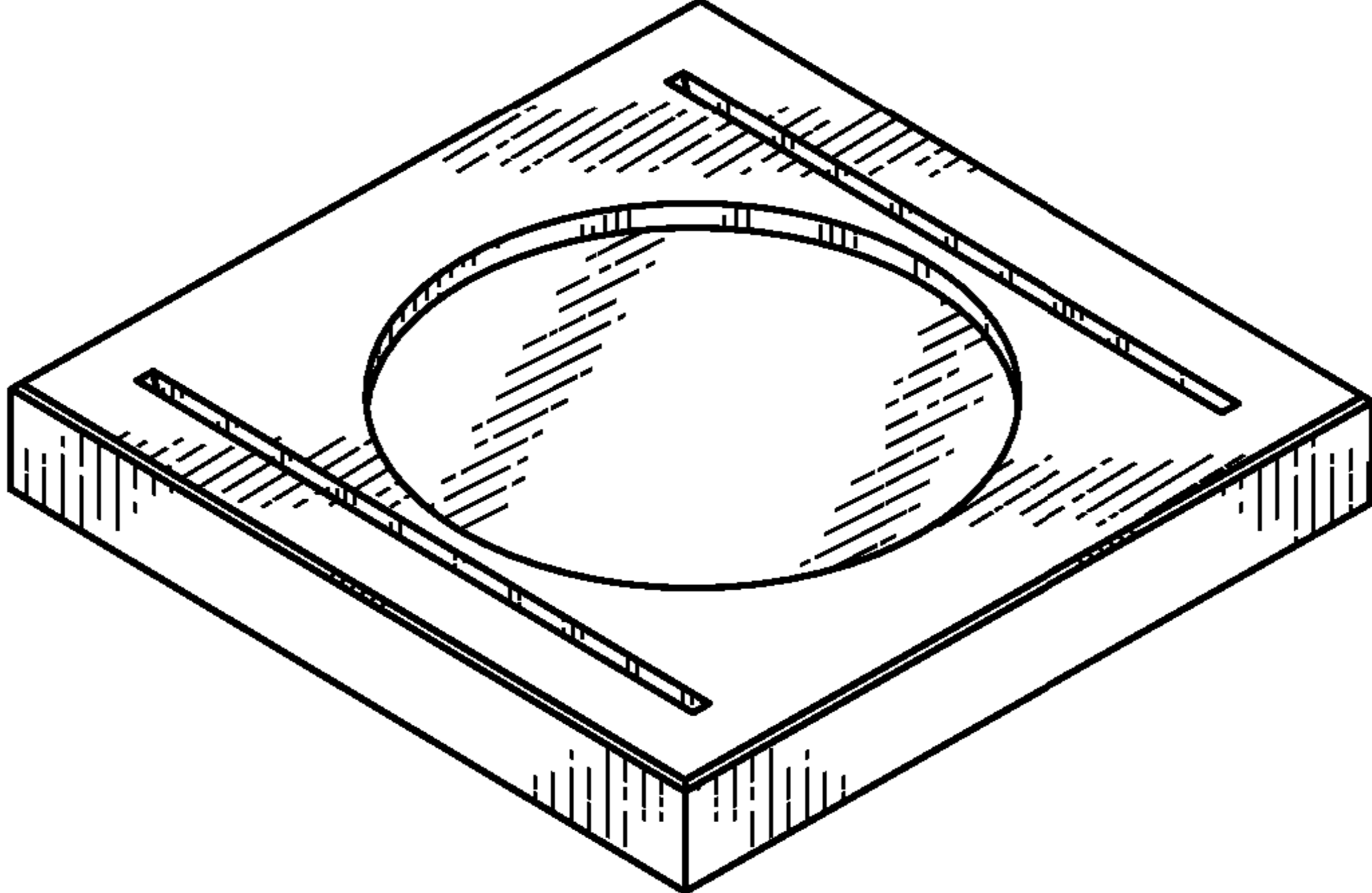


FIG. 2

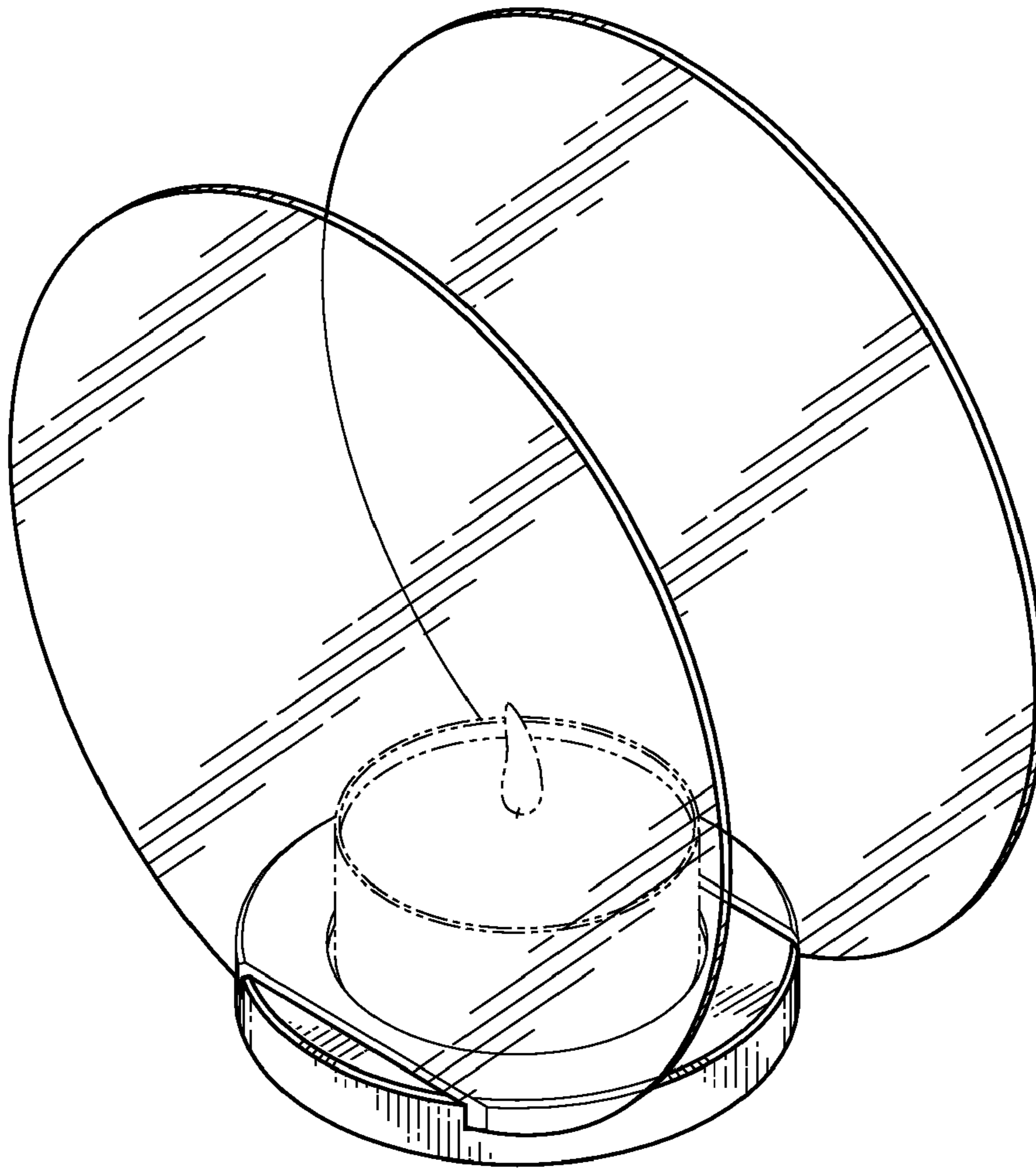


FIG. 3

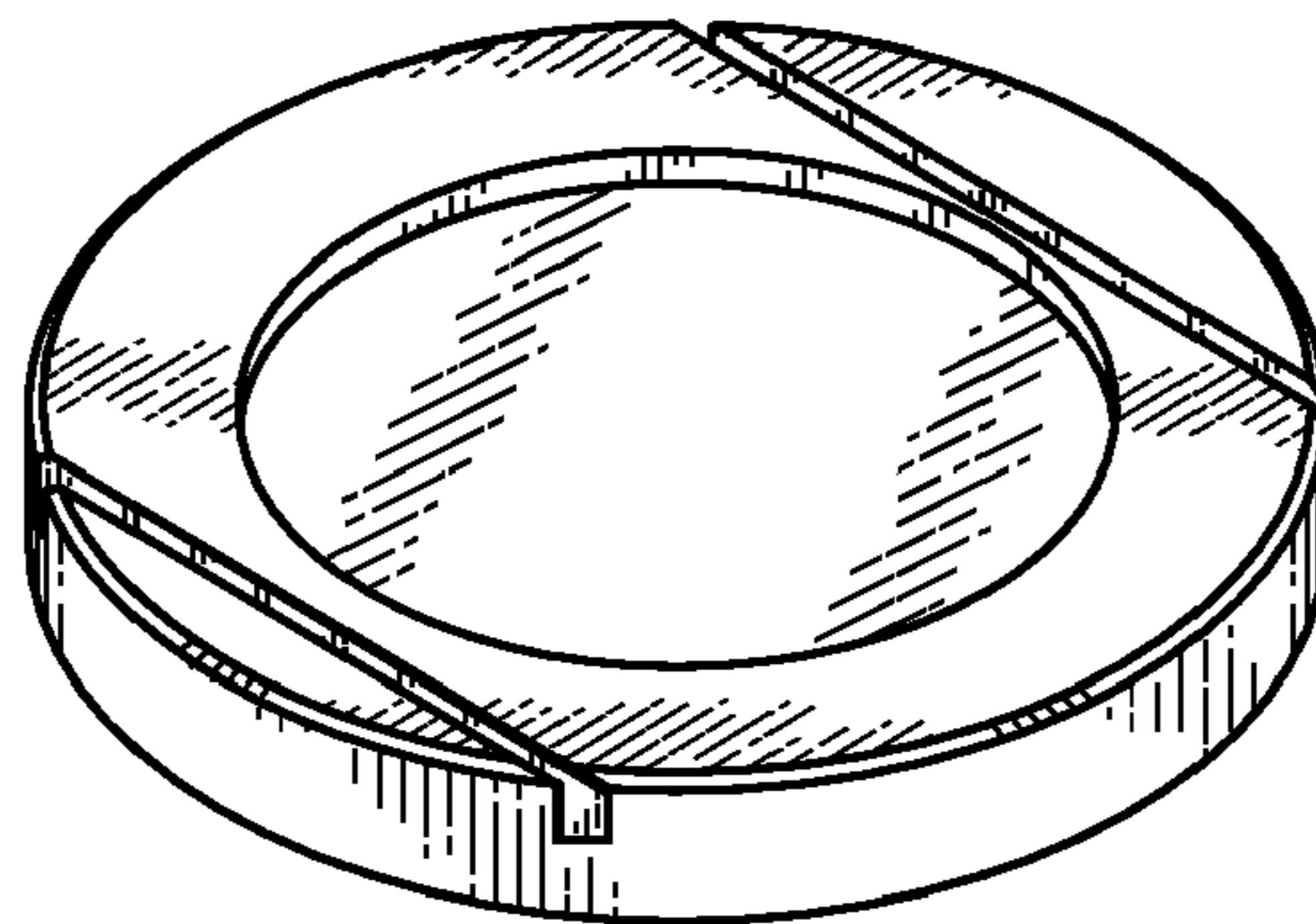


FIG. 4

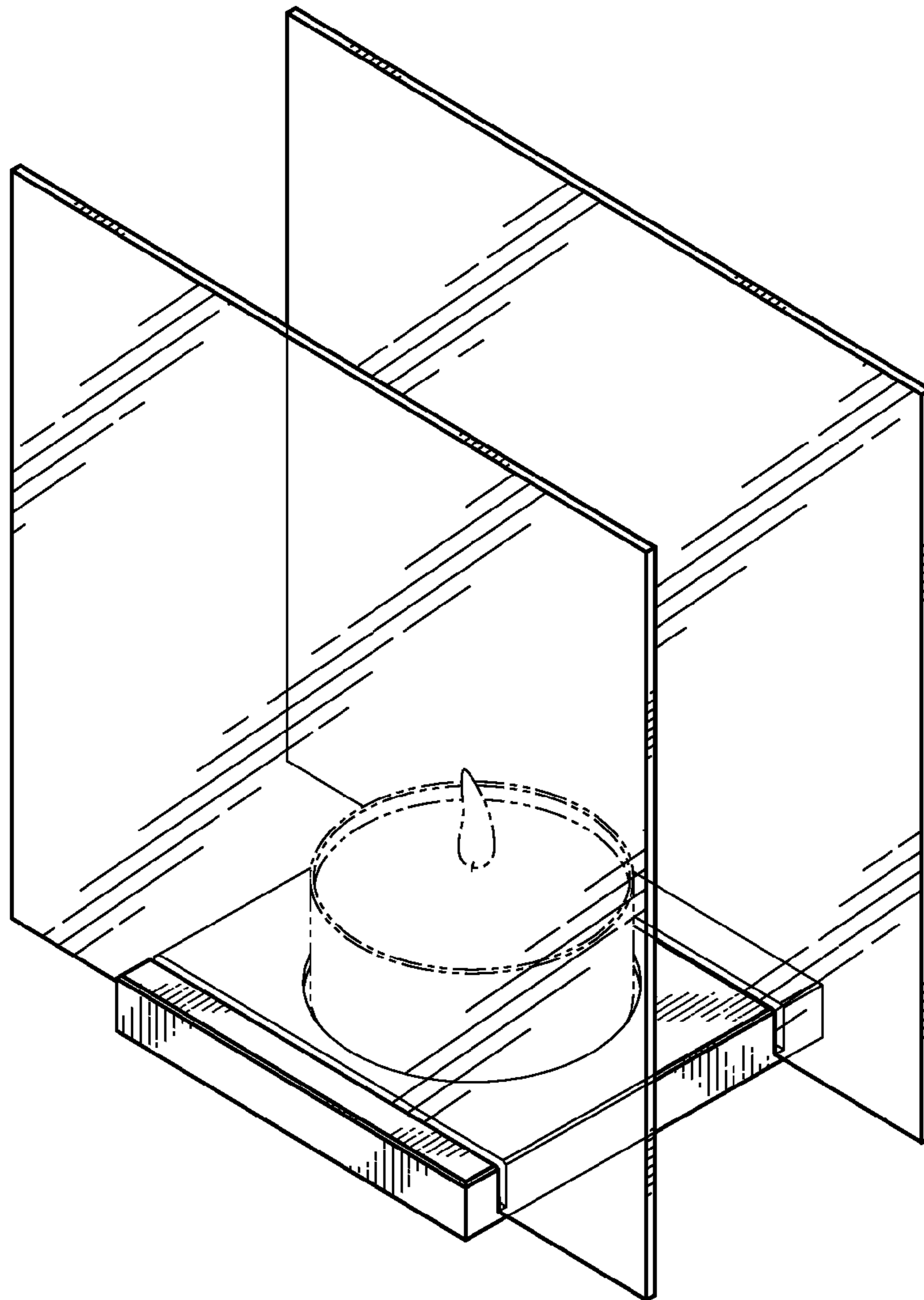


FIG. 5

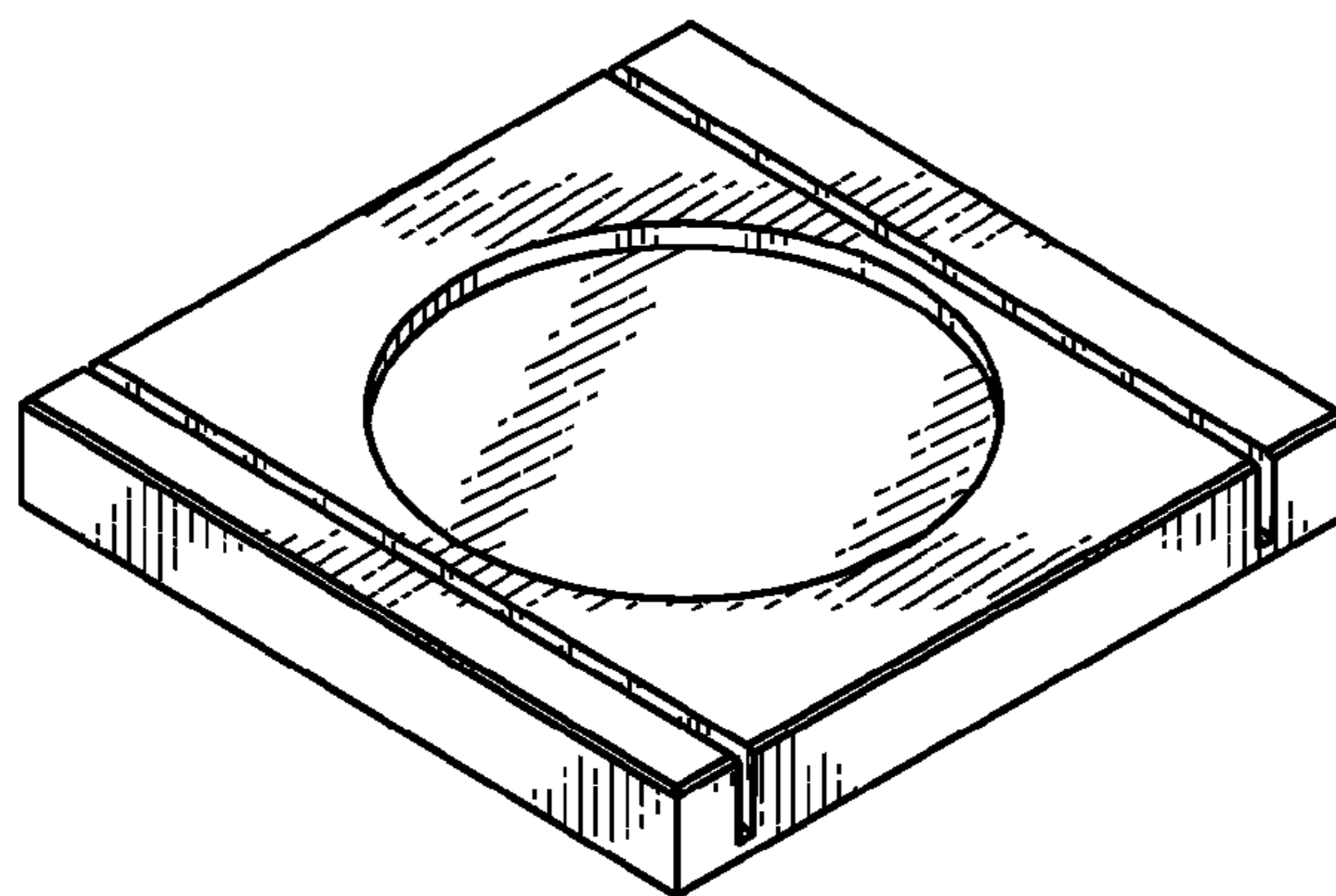


FIG. 6