



US00D584430S

(12) **United States Design Patent**  
**Furner et al.**

(10) **Patent No.:** **US D584,430 S**

(45) **Date of Patent:** **\*\* Jan. 6, 2009**

(54) **DECORATIVE CANDLEHOLDER**

(75) Inventors: **Paul E. Furner**, Racine, WI (US); **Mary Beth Adams**, Antioch, IL (US); **Chris A. Kubicek**, East Troy, WI (US); **Romuald Marie**, Paris (FR); **Nathan R. Westphal**, Union Grove, WI (US)

(73) Assignee: **S.C. Johnson & Son, Inc.**, Racine, WI (US)

(\*\*) Term: **14 Years**

(21) Appl. No.: **29/245,598**

(22) Filed: **Dec. 21, 2005**

**Related U.S. Application Data**

(63) Continuation-in-part of application No. 29/242,572, filed on Nov. 10, 2005, now Pat. No. Des. 577,447, which is a continuation-in-part of application No. 29/234,510, filed on Jul. 19, 2005, now Pat. No. Des. 576,751, which is a continuation-in-part of application No. 11/123,461, filed on May 6, 2005, now Pat. No. 7,442,036, and a continuation-in-part of application No. 11/123,809, filed on May 6, 2005, now Pat. No. 7,287,978.

(51) **LOC (9) Cl.** ..... **26-01**

(52) **U.S. Cl.** ..... **D26/9**

(58) **Field of Classification Search** ..... D26/6-23; 431/288, 125, 126, 292, 289; D11/131, 131.1, D11/157; D7/585

See application file for complete search history.

(56) **References Cited**

**U.S. PATENT DOCUMENTS**

3,884,383 A 5/1975 Burch et al.

(Continued)

**FOREIGN PATENT DOCUMENTS**

WO WO 2004/083718 9/2004

**OTHER PUBLICATIONS**

Musical Candle Company; printed Nov. 14, 2006 (7 pages); [http://www.musicalcandlecompany.com/default.asp?p=Category&category\\_id=103](http://www.musicalcandlecompany.com/default.asp?p=Category&category_id=103).

*Primary Examiner*—Robert M Spear  
*Assistant Examiner*—Ania K Dworzecka

(57) **CLAIM**

The ornamental design for a decorative candleholder, as shown and described.

**DESCRIPTION**

FIG. 1 is an isometric view of a decorative candleholder showing our new design;

FIG. 2 is a front elevational view of the decorative candleholder of FIG. 1;

FIG. 3 is a right elevational view of the decorative candleholder of FIG. 1;

FIG. 4 is a left elevational view of the decorative candleholder of FIG. 1, the rear elevational view being identical thereto;

FIG. 5 is a top plan view of the decorative candleholder of FIG. 1;

FIG. 6 is an isometric view of yet another decorative candleholder according to the present invention;

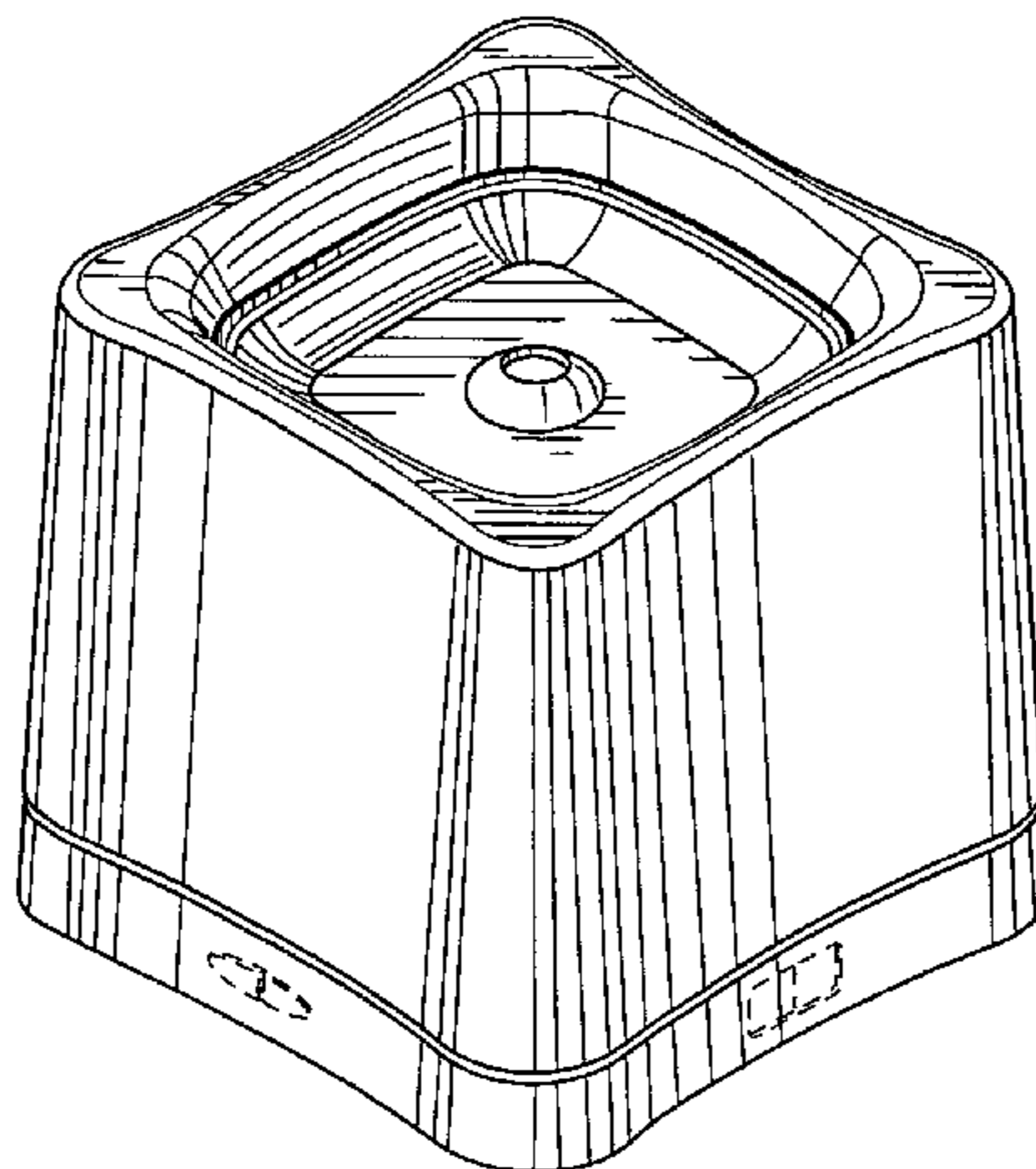
FIG. 7 is a front elevational view of the decorative candleholder of FIG. 6;

FIG. 8 is a right elevational view of the decorative candleholder of FIG. 6, the left and rear elevational views being identical thereto; and,

FIG. 9 is a top plan view of the decorative candleholder of FIG. 6.

Portions shown in dashed lines are not part of the claimed design.

**1 Claim, 6 Drawing Sheets**



# US D584,430 S

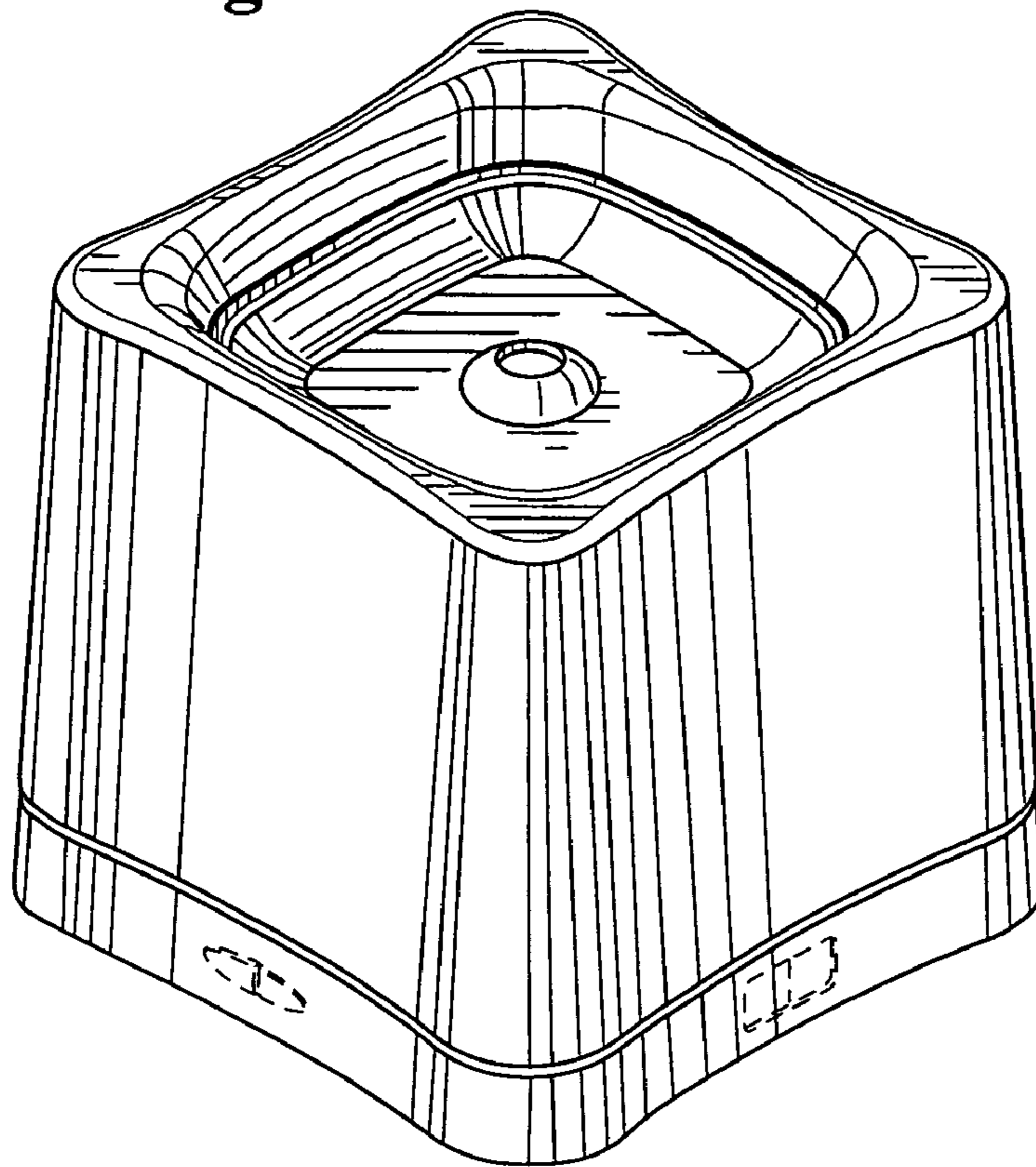
Page 2

## U.S. PATENT DOCUMENTS

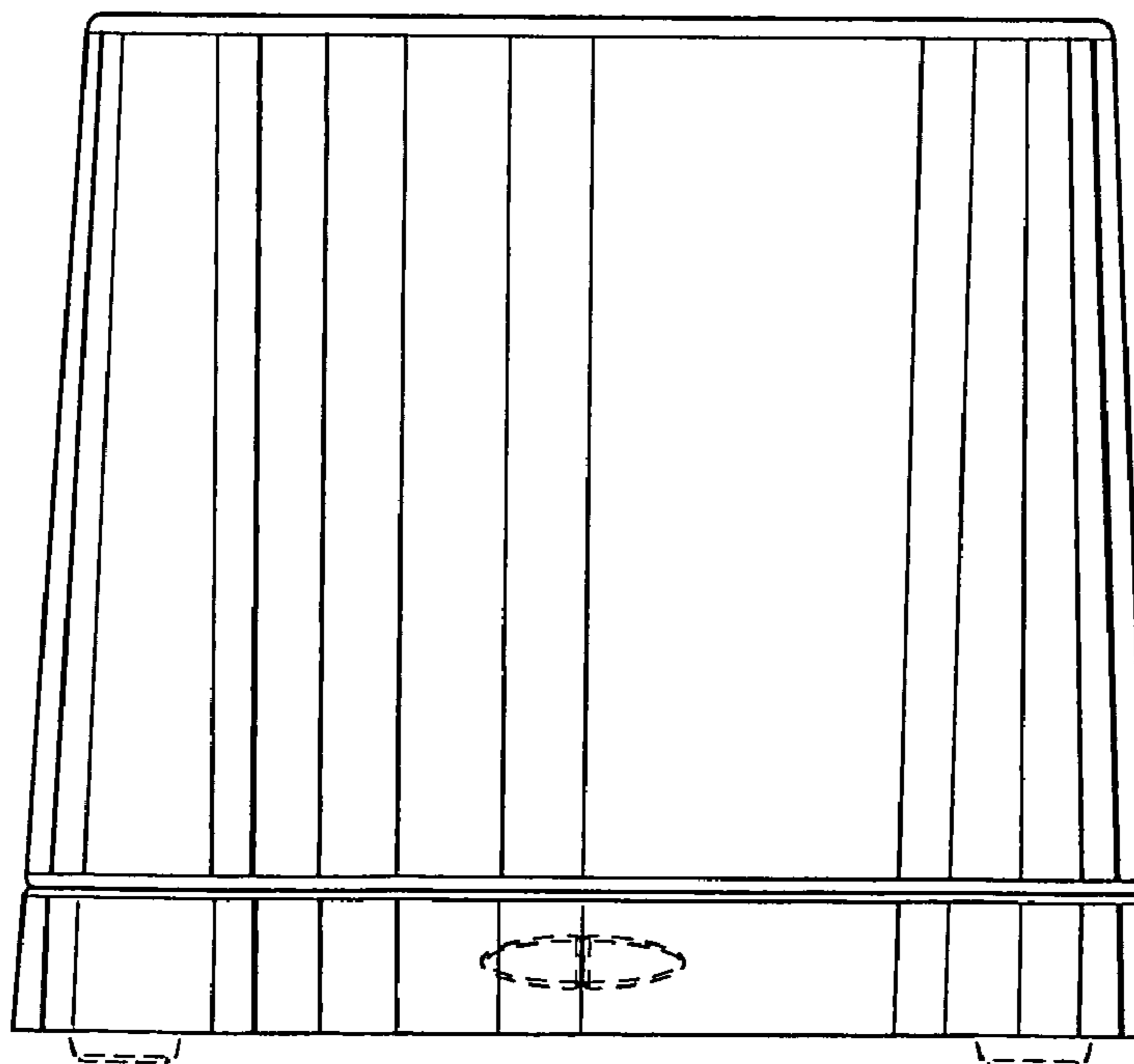
|             |         |                 |                 |         |                 |       |
|-------------|---------|-----------------|-----------------|---------|-----------------|-------|
| 3,890,085 A | 6/1975  | Andeweg         | 6,241,362 B1    | 6/2001  | Morrison        |       |
| 3,994,502 A | 11/1976 | Lombardi        | 6,371,756 B1    | 4/2002  | Toohey          |       |
| 4,102,634 A | 7/1978  | Crisp           | 6,439,471 B2    | 8/2002  | Ehrlich et al.  |       |
| D257,641 S  | 12/1980 | Taylor          | D469,893 S *    | 2/2003  | Shen .....      | D26/9 |
| 4,524,408 A | 6/1985  | Minera          | D474,854 S      | 5/2003  | Lam             |       |
| 4,755,135 A | 7/1988  | Kwok            | 6,575,613 B2    | 6/2003  | Brown et al.    |       |
| 5,069,617 A | 12/1991 | Lin             | D484,365 S      | 12/2003 | Wyche           |       |
| D325,077 S  | 3/1992  | Kearnes         | 6,695,611 B2    | 2/2004  | Lee             |       |
| 5,174,645 A | 12/1992 | Chung           | D489,143 S *    | 4/2004  | Clarkson .....  | D26/9 |
| D362,179 S  | 9/1995  | Kaplan          | 6,719,443 B2    | 4/2004  | Gutstein et al. |       |
| D393,910 S  | 4/1998  | Chambers et al. | 6,733,279 B2    | 5/2004  | Thigpen et al.  |       |
| 5,791,774 A | 8/1998  | Briles          | D495,438 S      | 8/2004  | Barbera et al.  |       |
| 5,807,096 A | 9/1998  | Shin et al.     | 6,802,707 B2    | 10/2004 | Furner et al.   |       |
| 5,921,767 A | 7/1999  | Song            | 6,960,076 B2    | 11/2005 | Yu              |       |
| 6,033,209 A | 3/2000  | Shin et al.     | 2002/0119413 A1 | 8/2002  | Cheng           |       |
| 6,050,812 A | 4/2000  | Chuang          | 2005/0208447 A1 | 9/2005  | Kubicek et al.  |       |
| 6,152,728 A | 11/2000 | Griffel         | 2005/0271994 A1 | 12/2005 | Furner          |       |
| D443,081 S  | 5/2001  | Klett et al.    | 2006/0002102 A1 | 1/2006  | Leonard         |       |
|             |         |                 | 2006/0120080 A1 | 6/2006  | Sipinski et al. |       |

\* cited by examiner

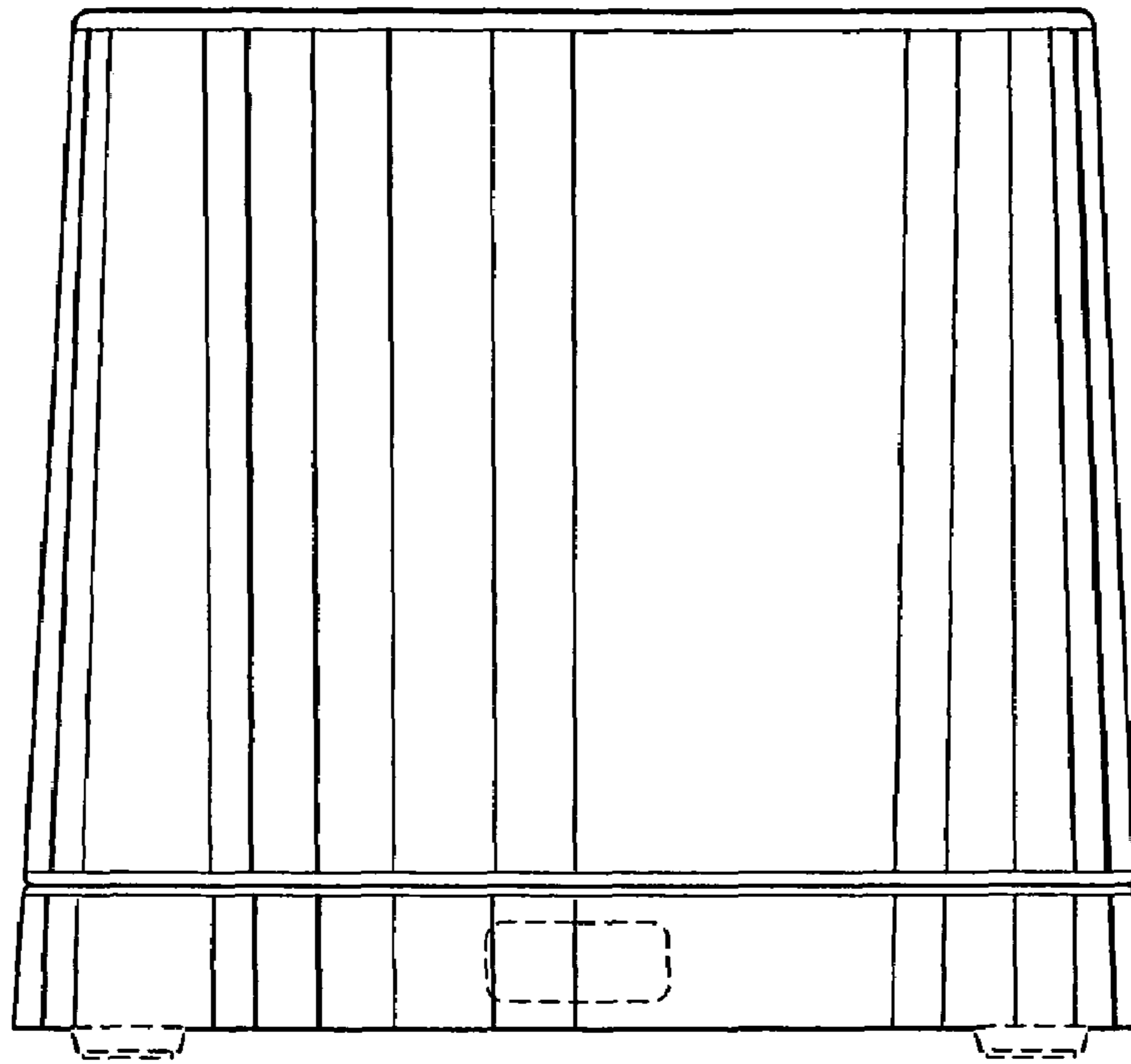
**Fig. 1**



**Fig. 2**



**Fig. 3**



**Fig. 4**

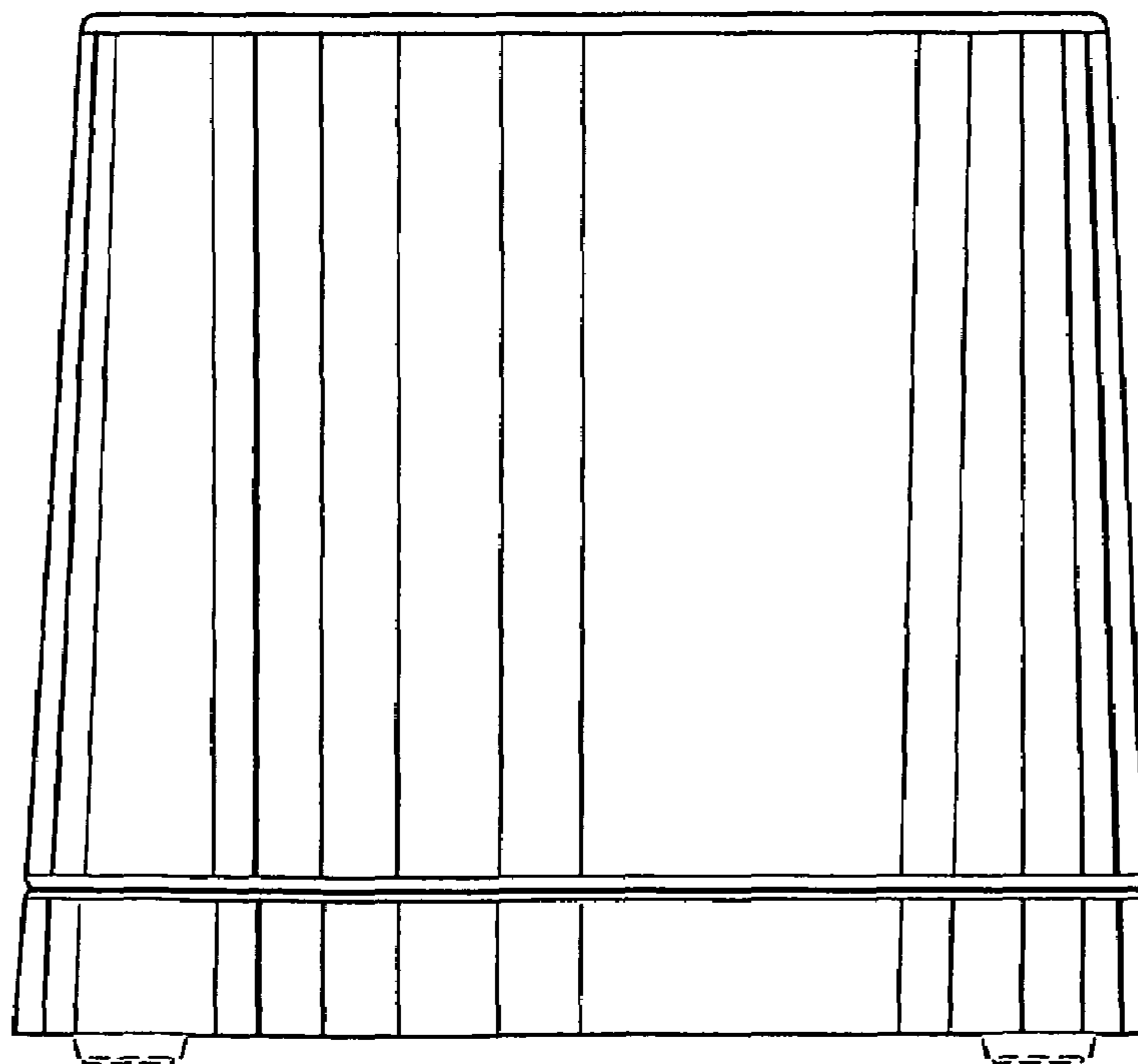


FIG. 5

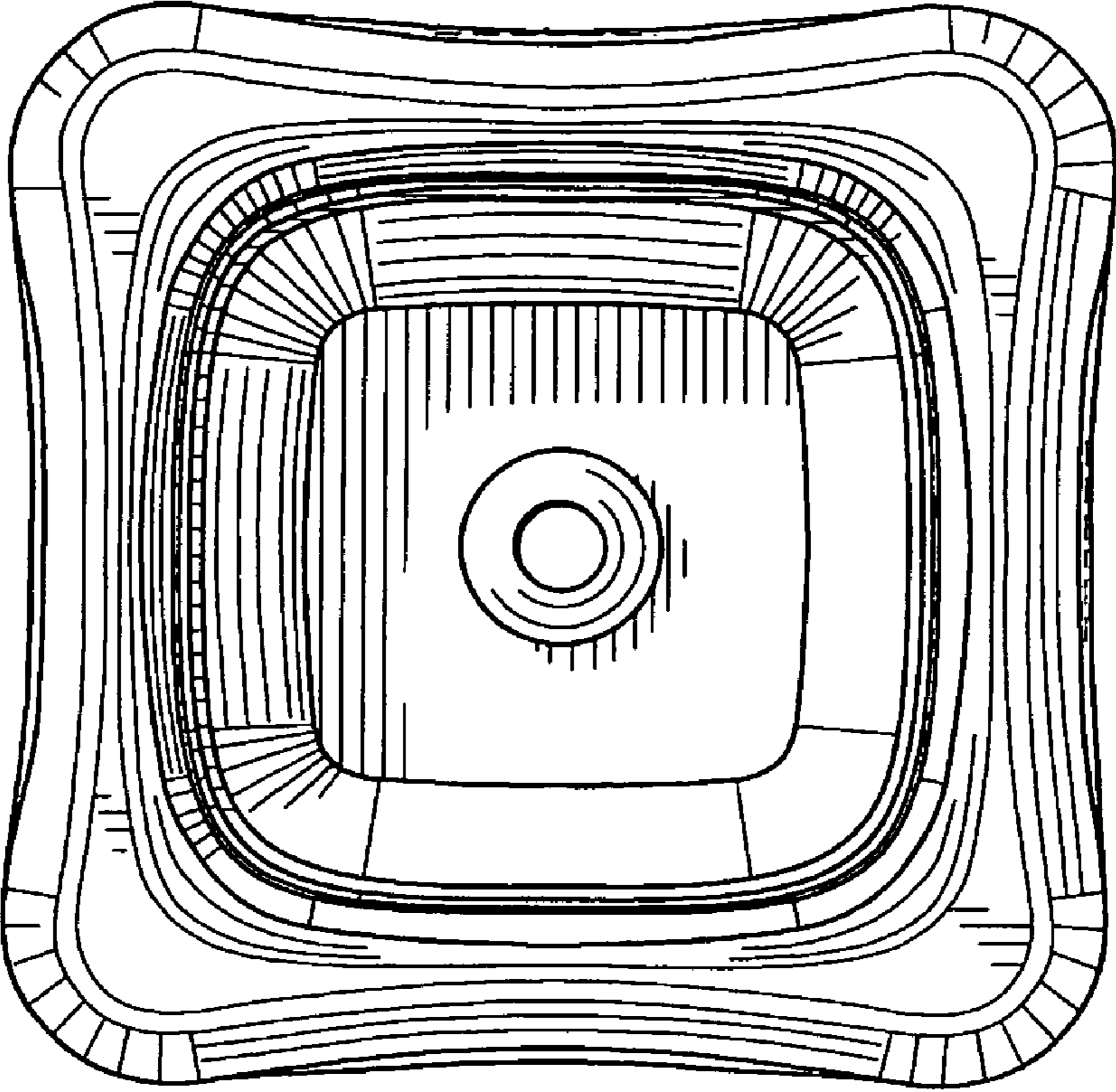


FIG. 6

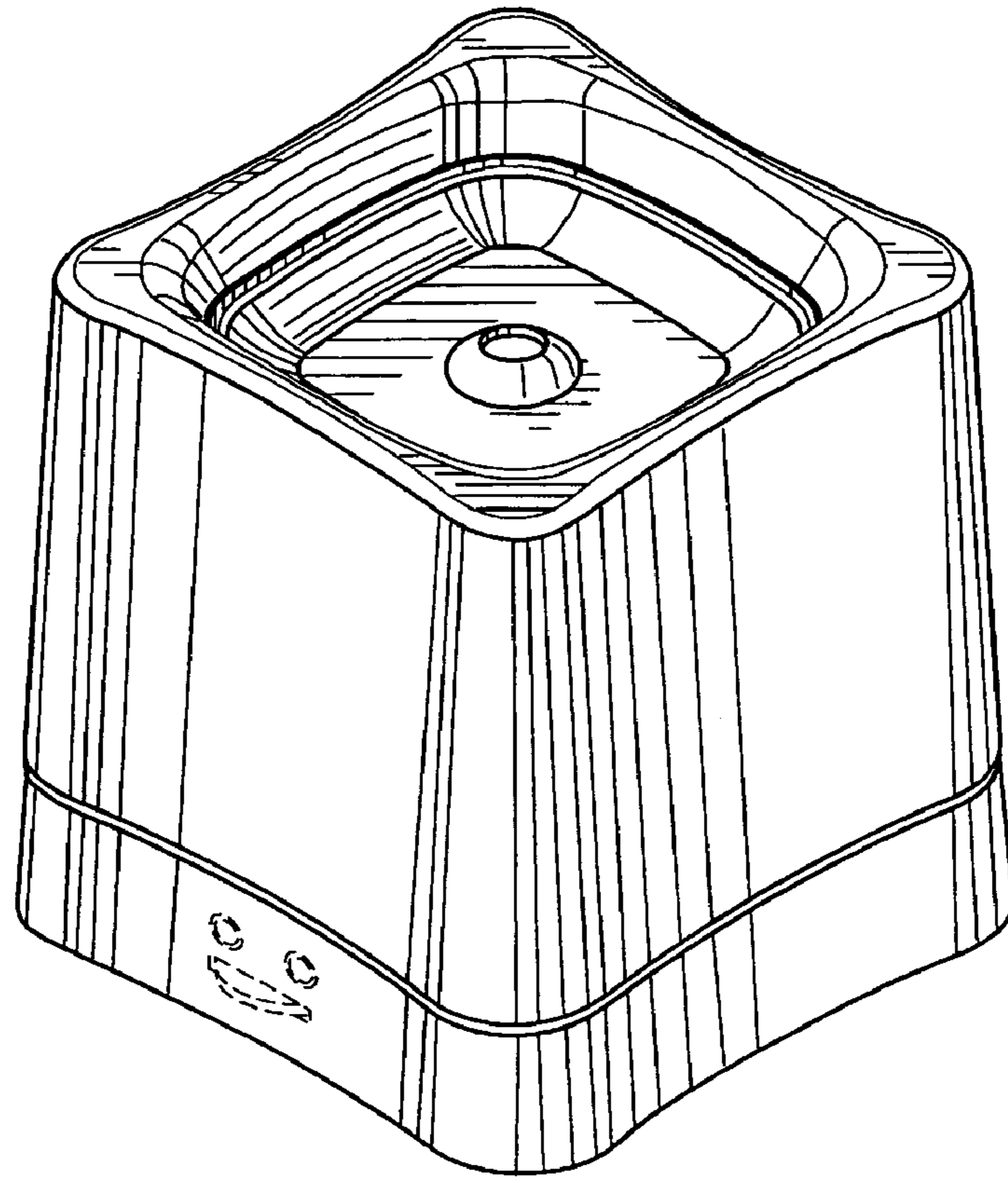


FIG. 7

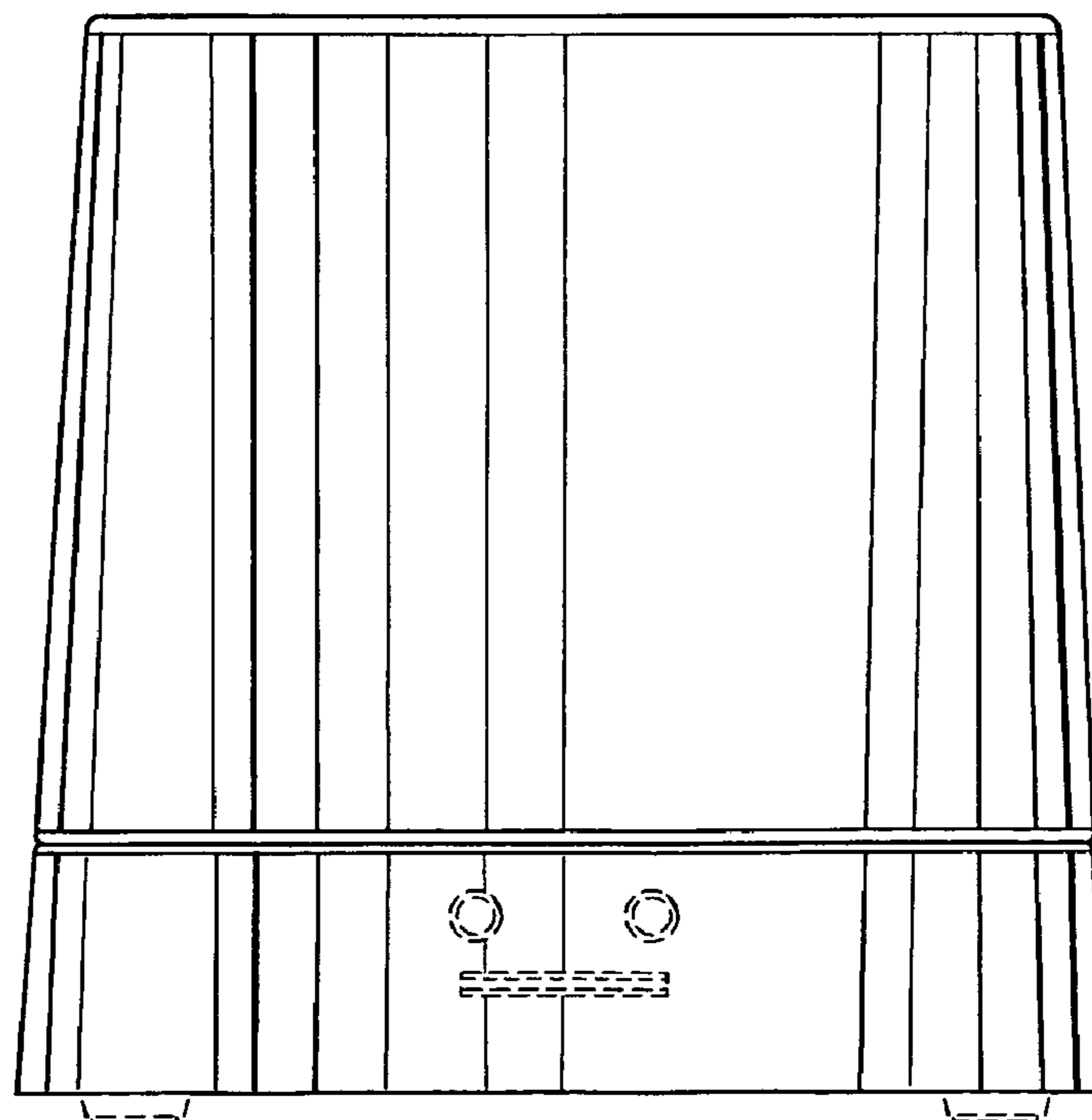


FIG. 8

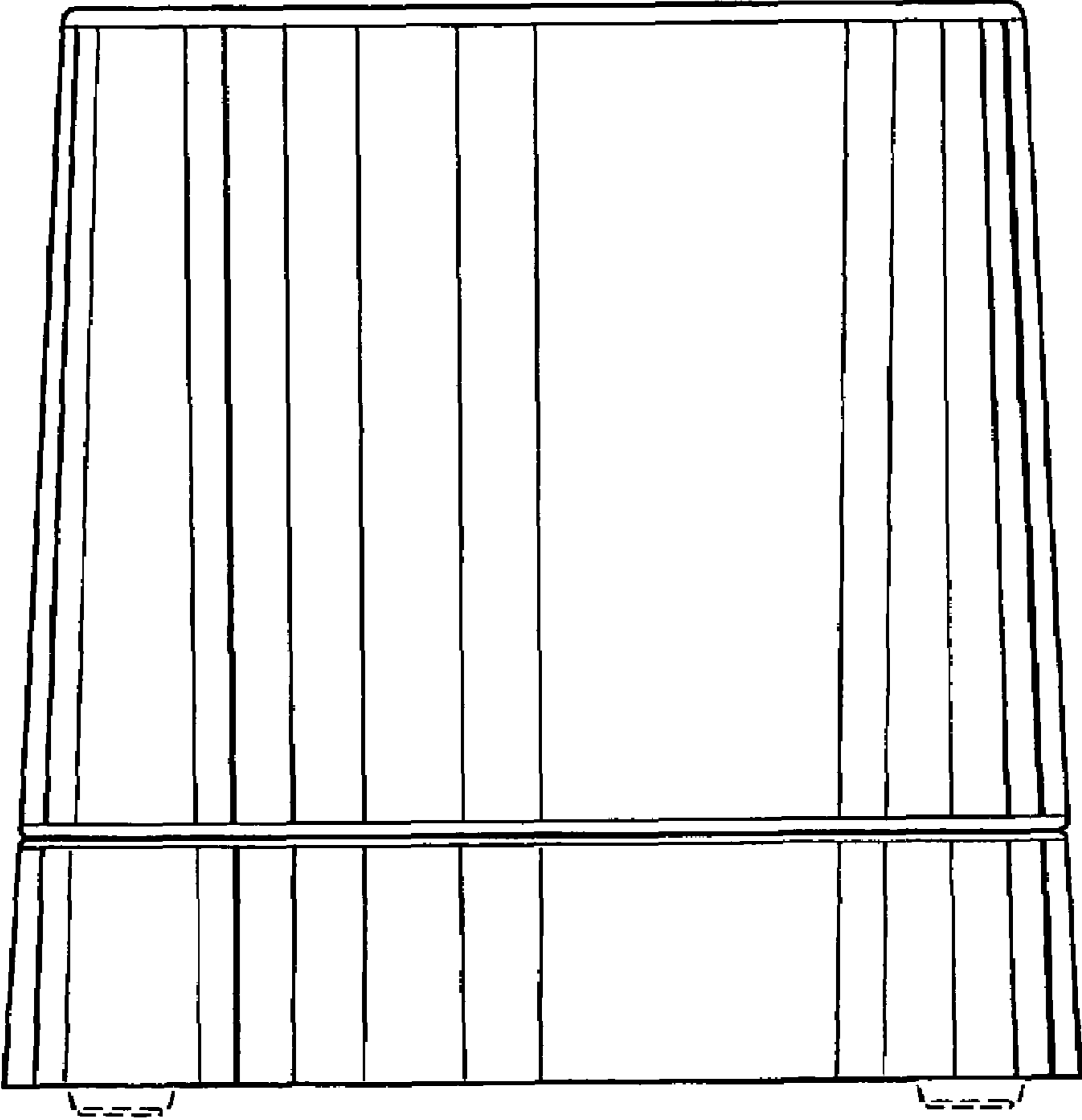


FIG. 9

