



US00D584422S

(12) **United States Design Patent**
Dangrow et al.

(10) **Patent No.:** **US D584,422 S**

(45) **Date of Patent:** **** Jan. 6, 2009**

(54) **LADDER LEVELER STILE**

(75) Inventors: **Joseph C. Dangrow**, Fredonia, PA (US);
James J. Grebinoski, Mercer, PA (US);
Sergio DeOliveira, Hermitage, PA (US)

(73) Assignee: **Werner Co.**, Greenville, PA (US)

(**) Term: **14 Years**

(21) Appl. No.: **29/251,863**

(22) Filed: **Jan. 14, 2006**

(51) **LOC (9) Cl.** **25-04**

(52) **U.S. Cl.** **D25/68**

(58) **Field of Classification Search** D25/68,
D25/69; 182/230, 107

See application file for complete search history.

(56) **References Cited**

U.S. PATENT DOCUMENTS

- 5,845,744 A * 12/1998 Beck et al. 182/204
- 5,913,382 A * 6/1999 Martin 182/204
- 5,941,343 A * 8/1999 Kelsey 182/107

D485,369 S * 1/2004 Ranagan et al. D25/68

* cited by examiner

Primary Examiner—Doris Clark

(74) *Attorney, Agent, or Firm*—Ansel M. Schwartz

(57) **CLAIM**

We claim the ornamental design for the ladder leveler stile, as shown and described.

DESCRIPTION

FIG. 1 is a front perspective view of a ladder leveler stile showing our new design.

FIG. 2 is a top plan view thereof;

FIG. 3 is a rear elevational view thereof;

FIG. 4 is a front elevational view thereof;

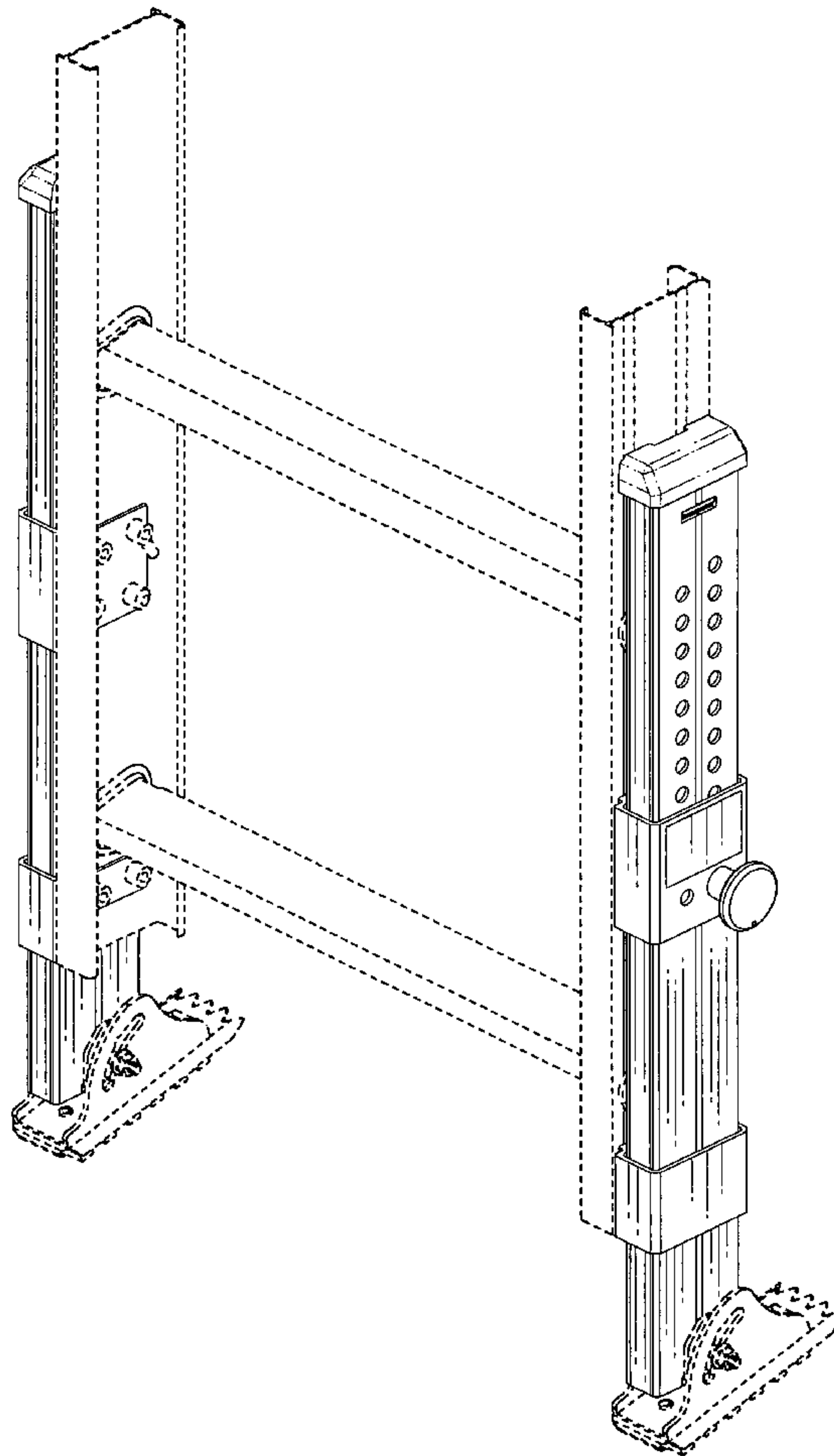
FIG. 5 is a bottom plan view thereof;

FIG. 6 is a right side elevational view thereof; and,

FIG. 7 is a left side elevational view thereof.

The broken lines are for illustrative purposes only and form no part of the claimed design.

1 Claim, 5 Drawing Sheets



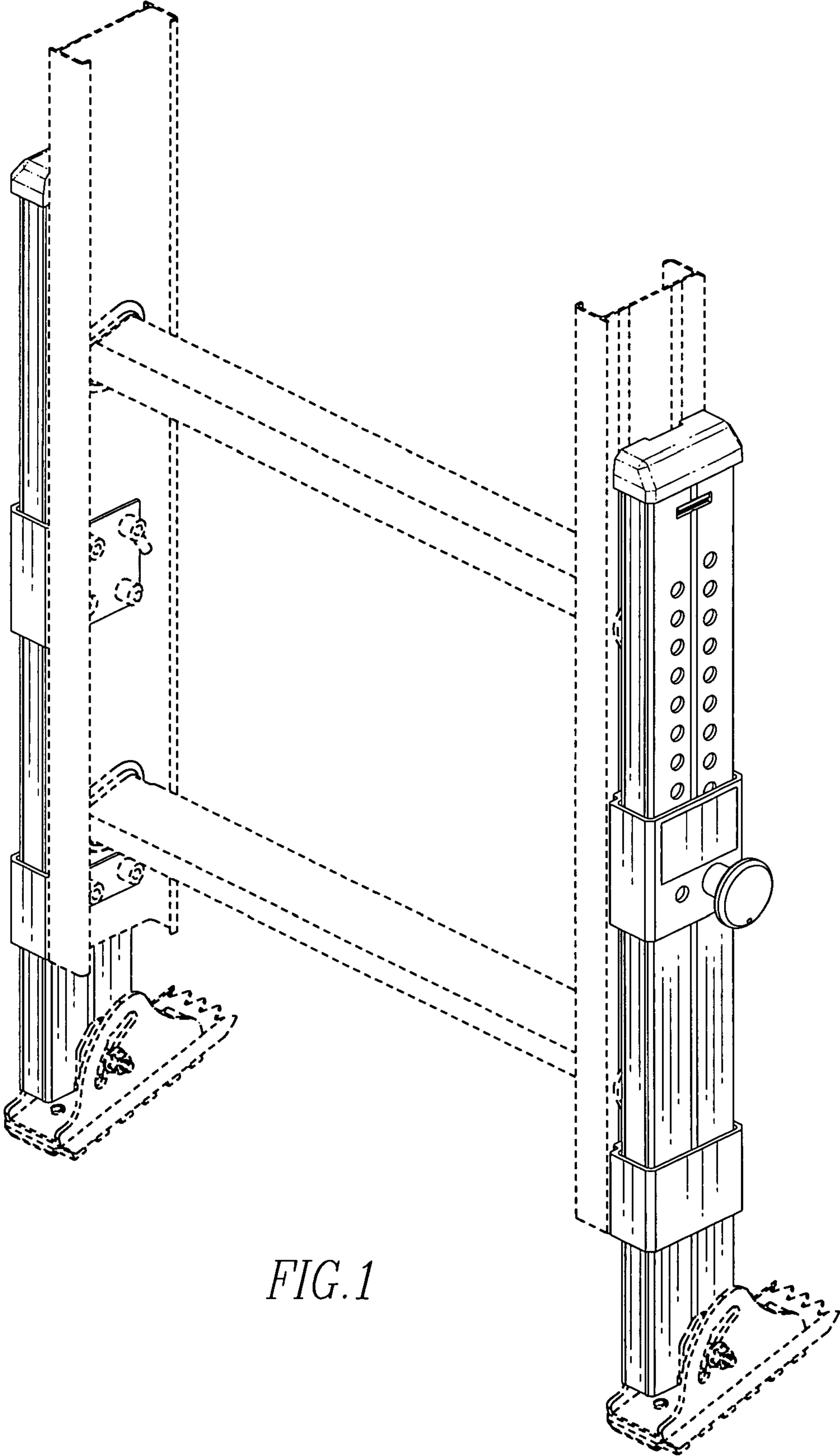


FIG. 1

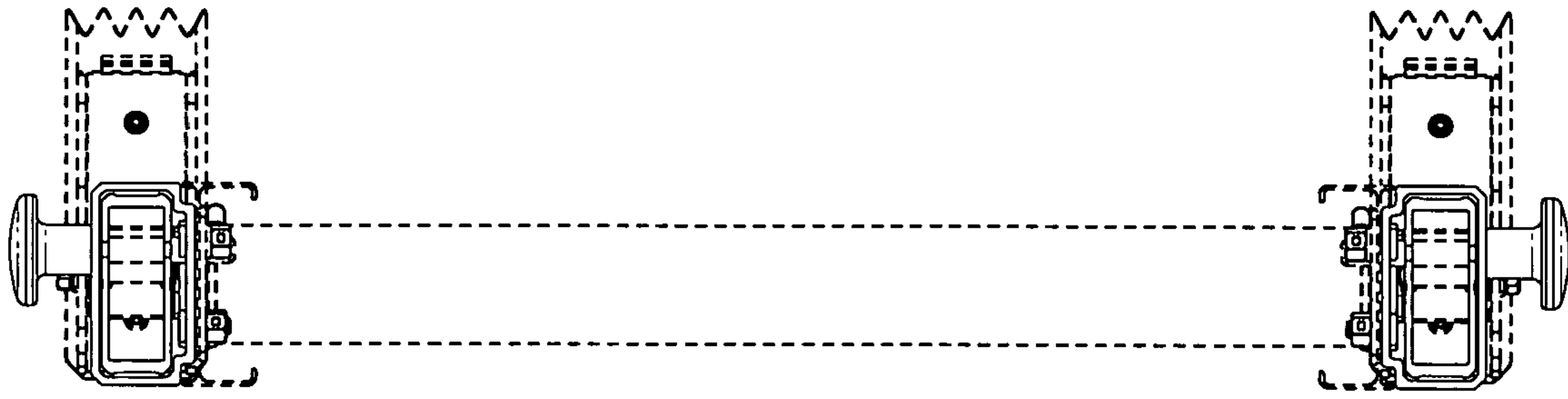


FIG. 2

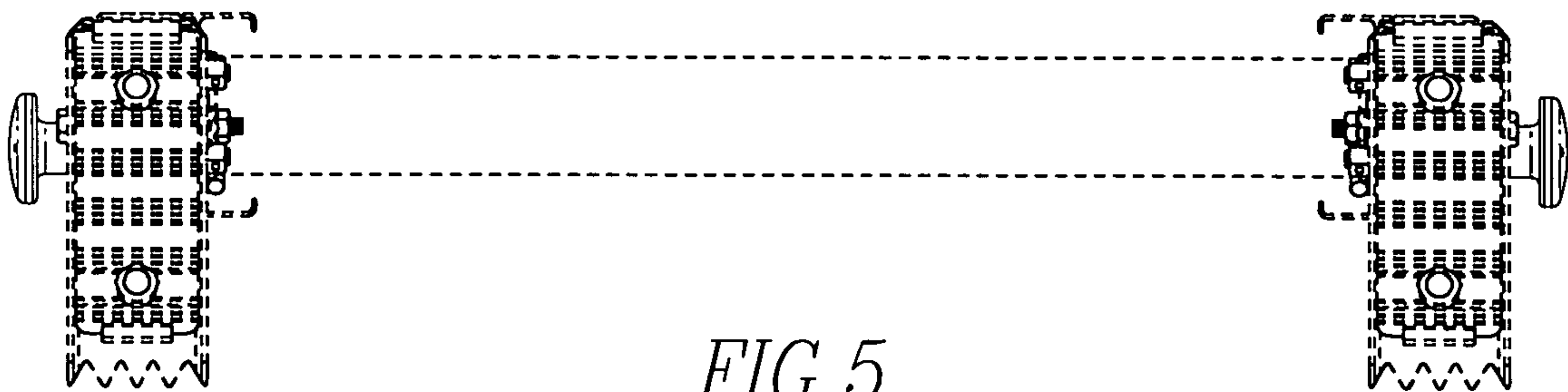


FIG. 5

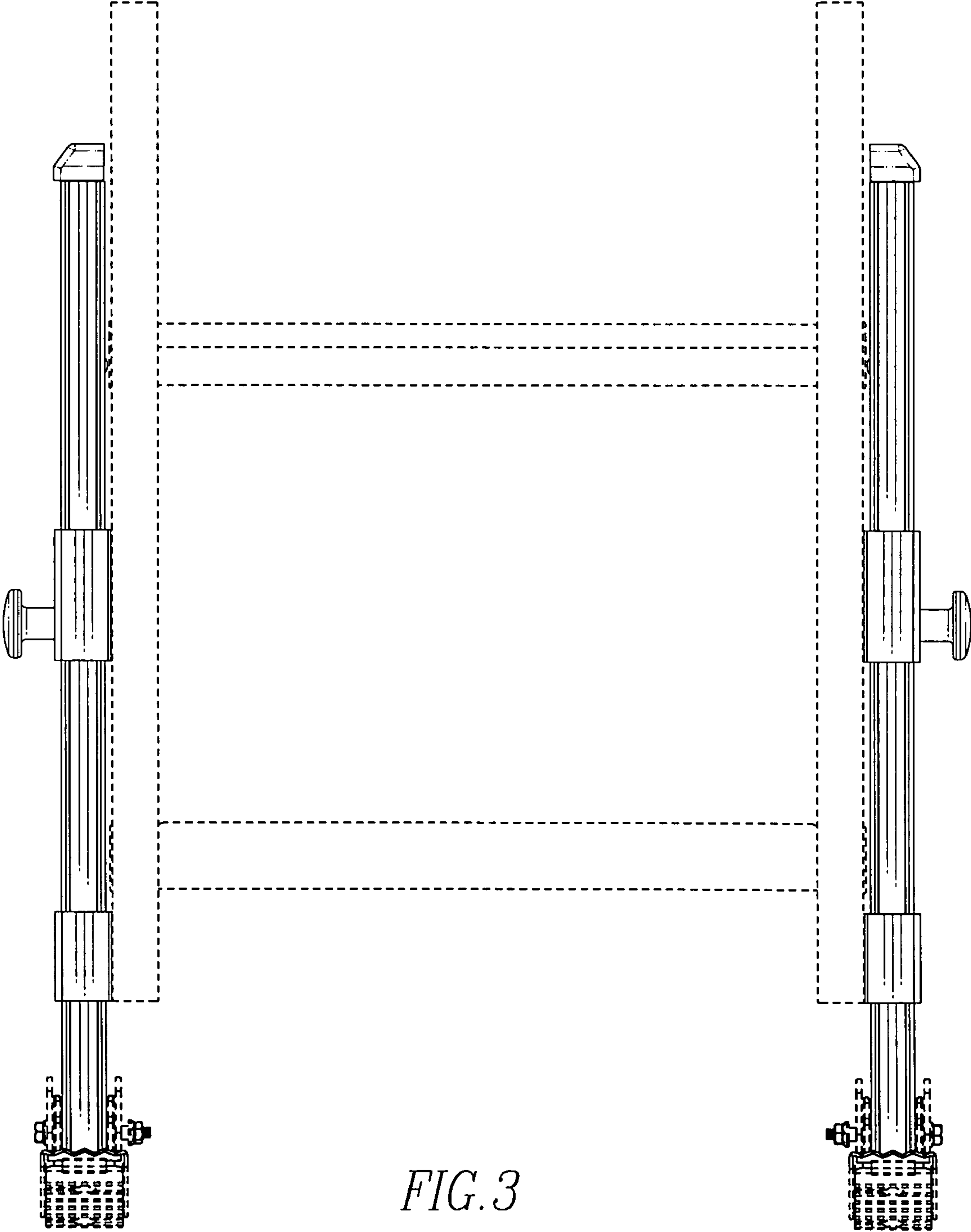


FIG. 3

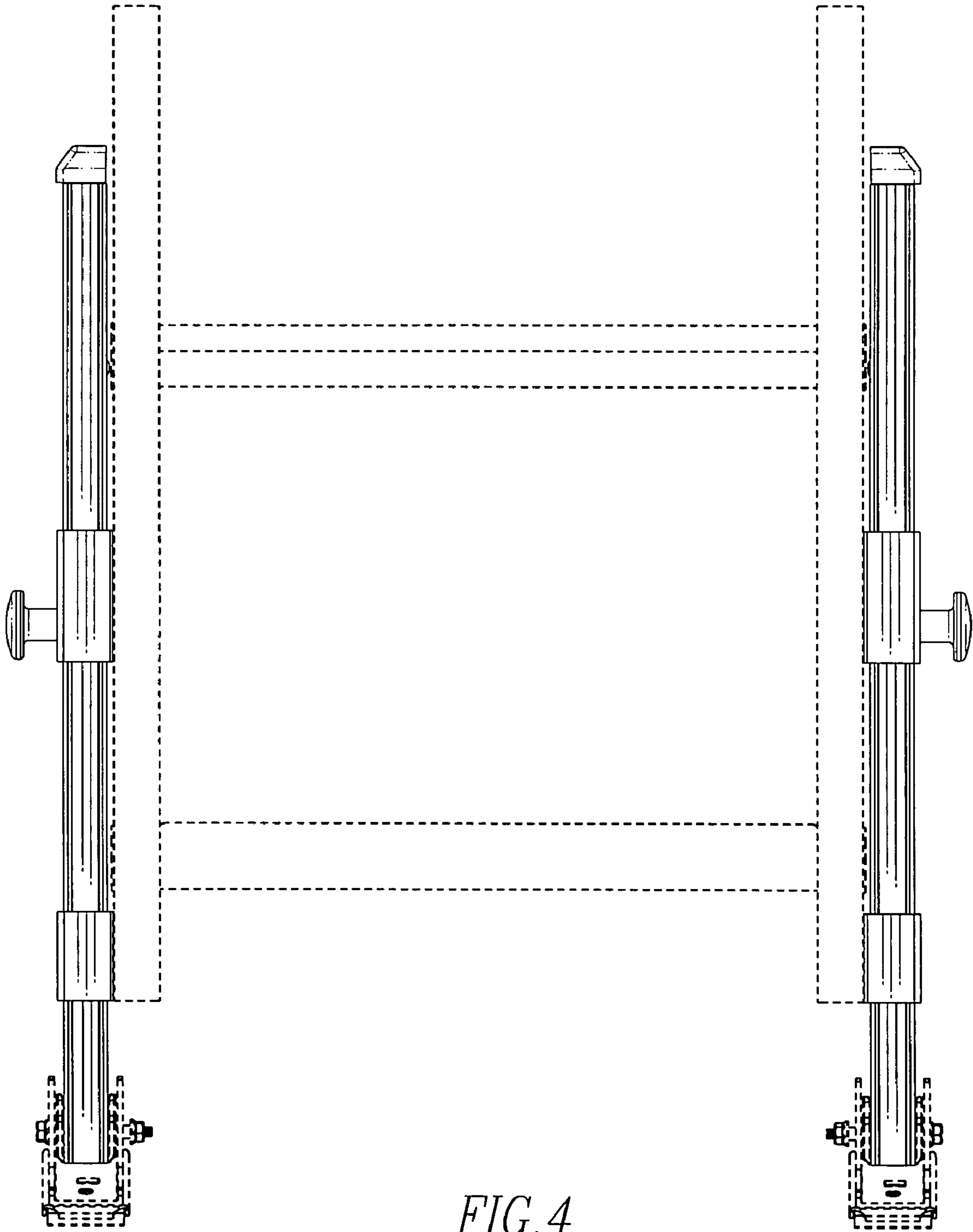


FIG. 4

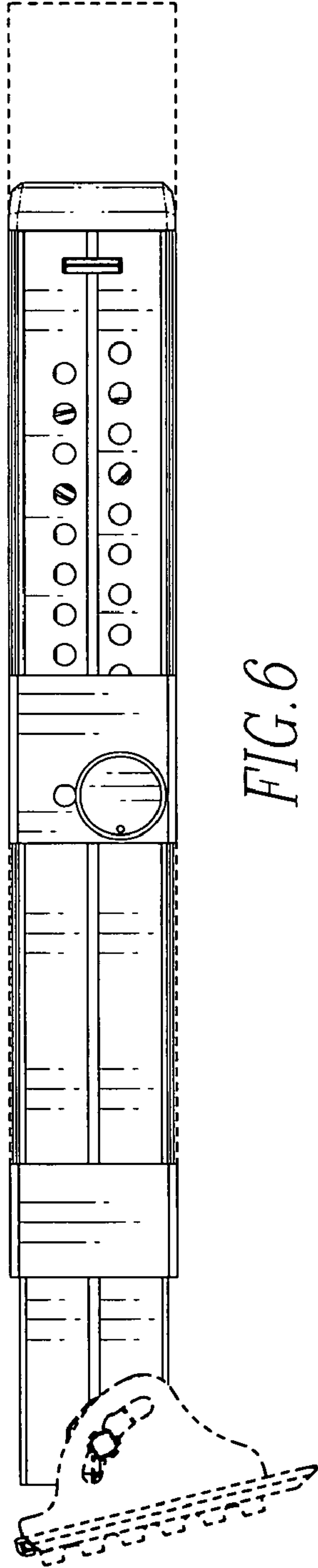


FIG. 6

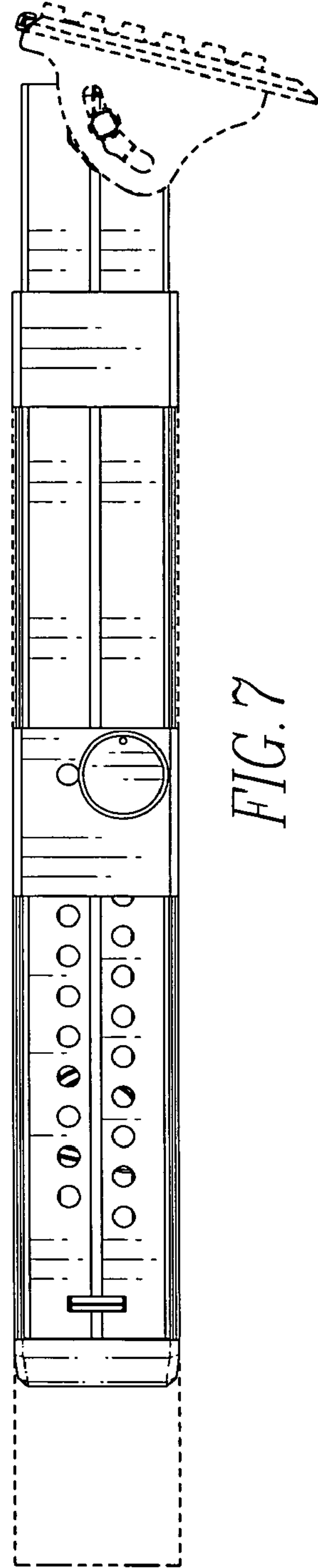


FIG. 7