



US00D584421S

(12) **United States Design Patent**
Wise

(10) **Patent No.:** **US D584,421 S**
(45) **Date of Patent:** **** Jan. 6, 2009**

(54) **WORKHORSE AND LATCH SYSTEM**

(76) Inventor: **Robert W. Wise**, 365 Ely Rd., Petaluma, CA (US) 94954

(**) Term: **14 Years**

(21) Appl. No.: **29/291,933**

(22) Filed: **Sep. 21, 2007**

(51) **LOC (9) Cl.** **25-04**

(52) **U.S. Cl.** **D25/67**

(58) **Field of Classification Search** D25/67;
182/224, 225, 179.1, 181.1, 153
See application file for complete search history.

(56) **References Cited**

U.S. PATENT DOCUMENTS

- 5,836,365 A * 11/1998 Derektor 144/287
- D406,905 S * 3/1999 Librach D25/67
- D471,287 S * 3/2003 Sommerville et al. D25/67

* cited by examiner

Primary Examiner—Doris Clark
(74) *Attorney, Agent, or Firm*—Black Lowe & Graham, PLLC

(57) **CLAIM**

The ornamental design for a workhorse and latch system, as shown and described.

DESCRIPTION

FIG. 1 is a front perspective view of a workhorse and latch system showing my new design.

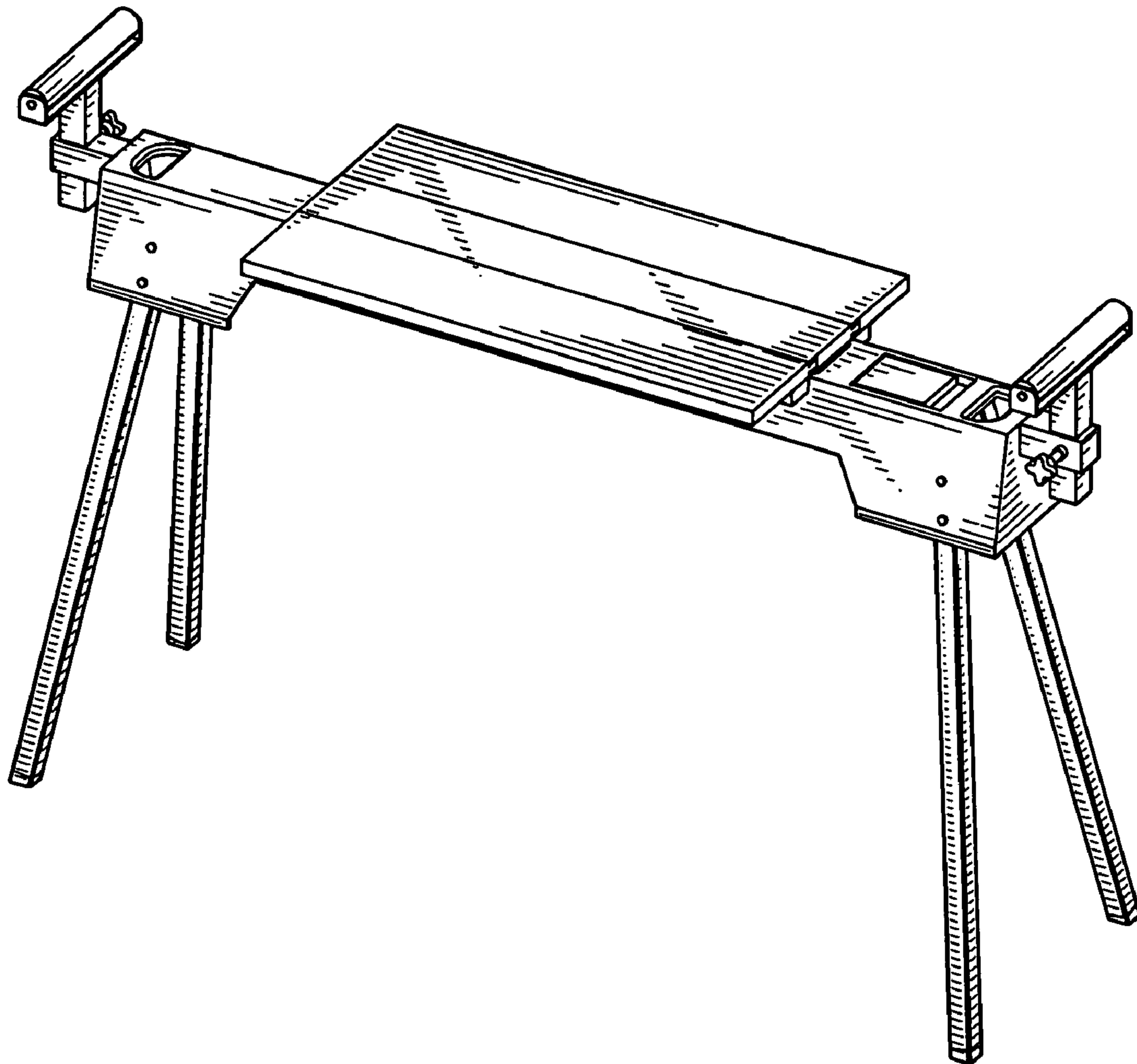
FIG. 2 is a right side elevational view thereof, the left side elevational view being a mirror image.

FIG. 3 is a top plan view thereof.

FIG. 4 is a front elevational view thereof; and,

FIG. 5 is a rear elevational view thereof.

1 Claim, 3 Drawing Sheets



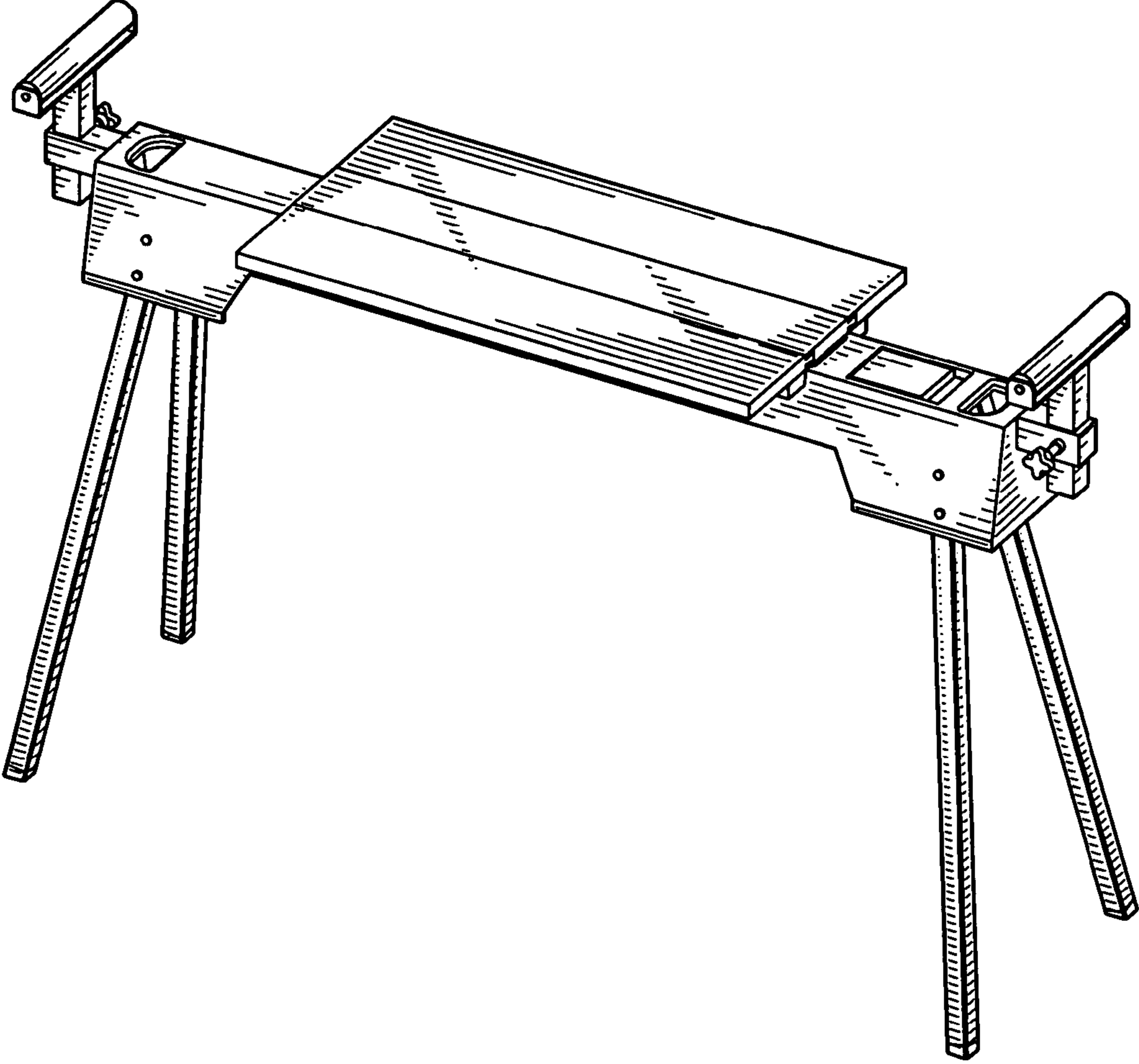


FIG.1

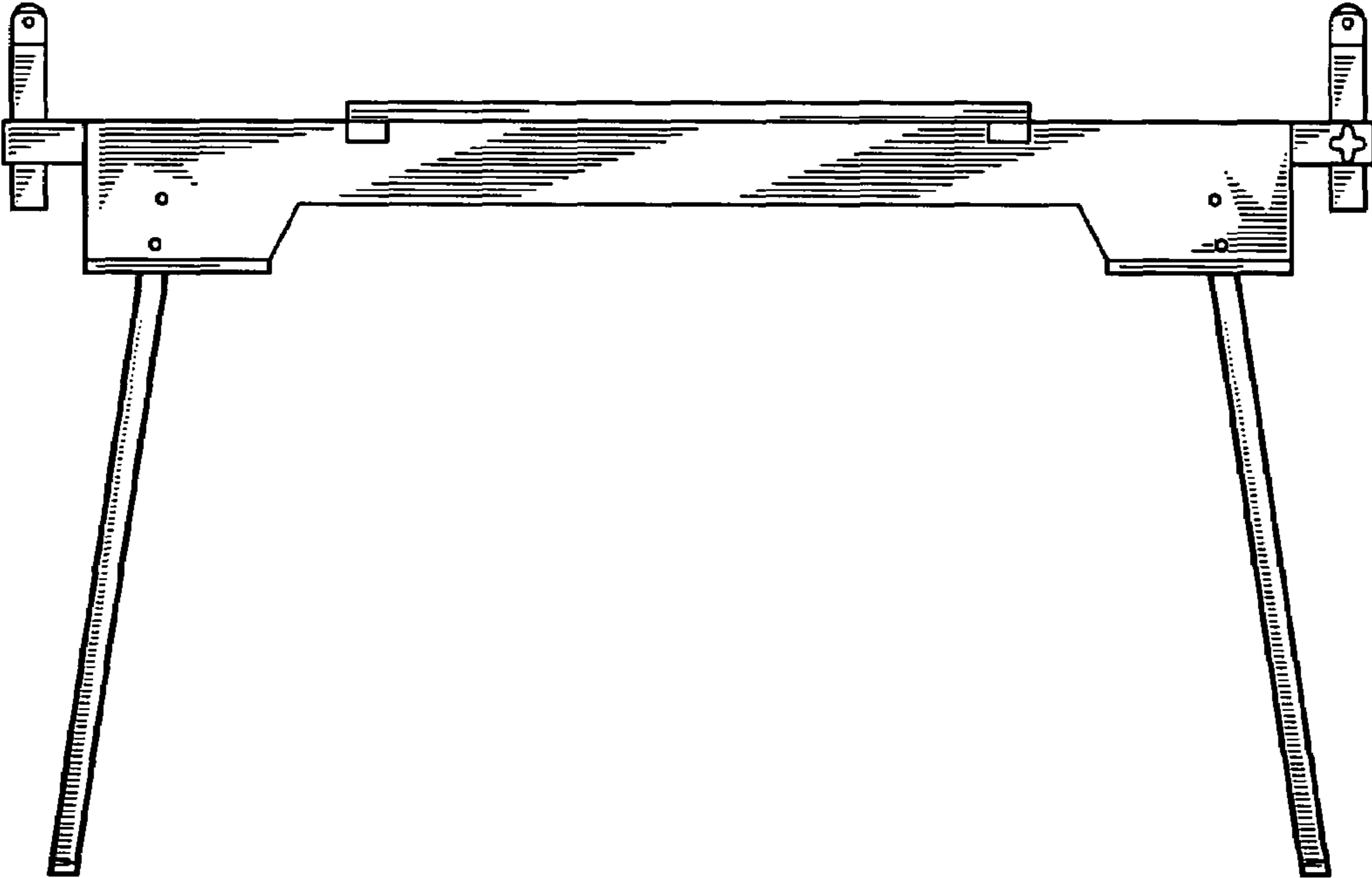


FIG. 2

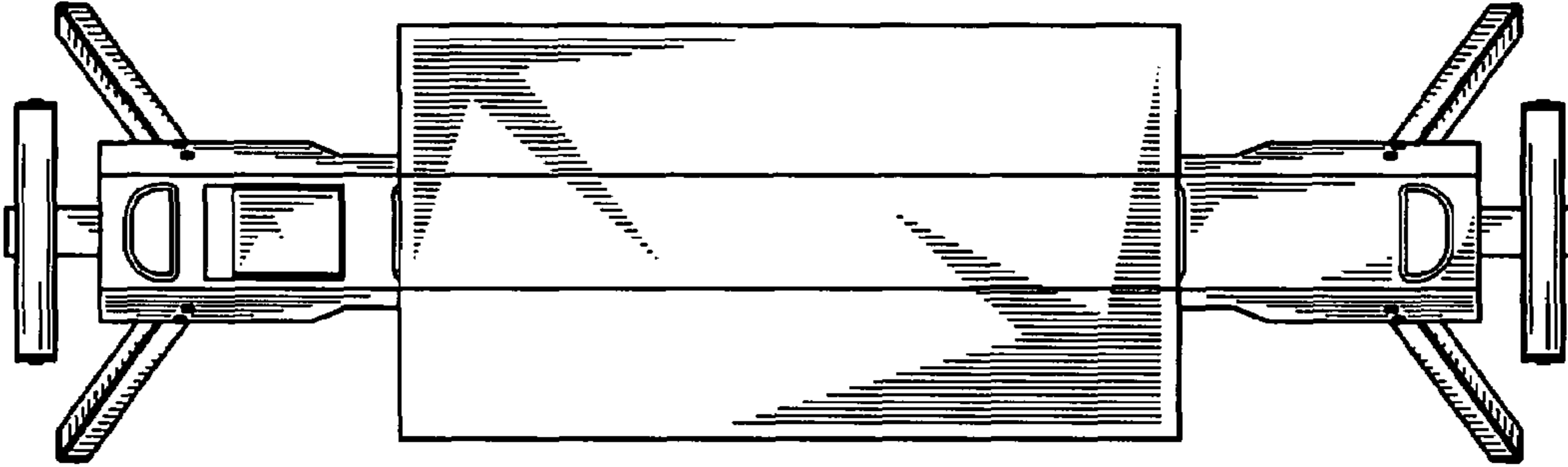


FIG. 3

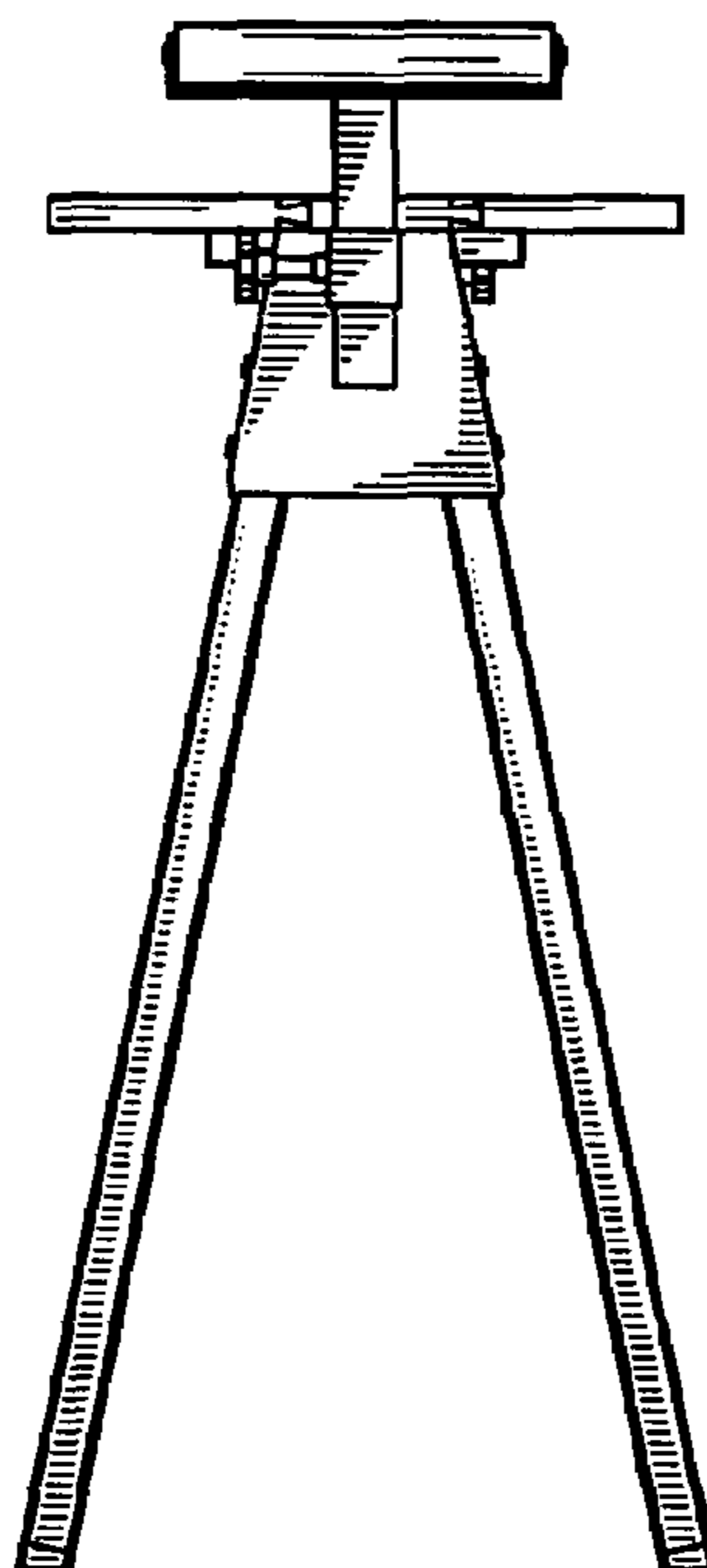


FIG. 4

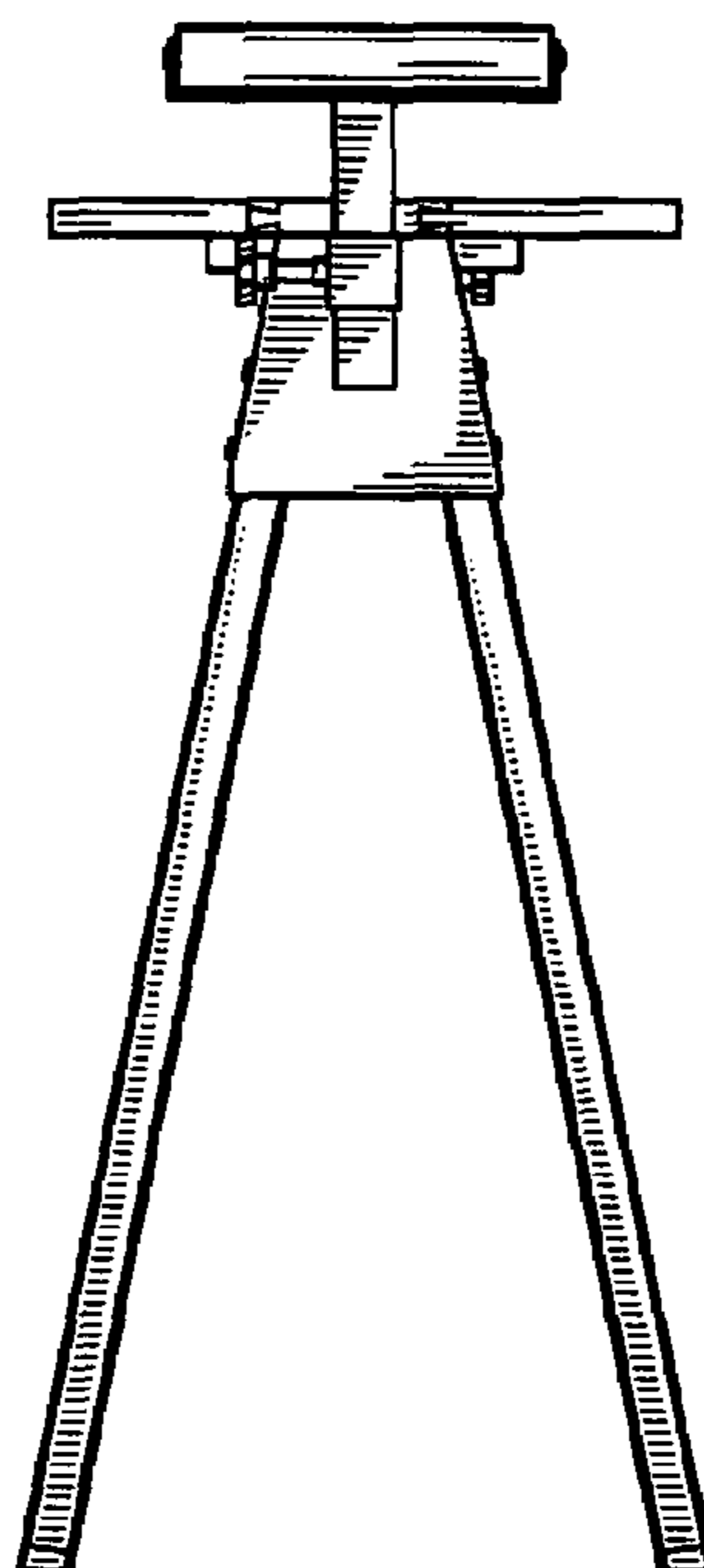


FIG. 5