



US00D584419S

(12) **United States Design Patent**  
**Koch**

(10) **Patent No.:** **US D584,419 S**  
(45) **Date of Patent:** **\*\* Jan. 6, 2009**

(54) **RAIL PROFILE**

5,480,126 A \* 1/1996 Teasdale ..... 256/19  
D497,432 S \* 10/2004 Ohanesian ..... D25/38

(75) Inventor: **Timo Koch**, Gummersbach (DE)

(73) Assignee: **eepos GmbH**, Wiehl (DE)

\* cited by examiner

(\*\*) Term: **14 Years**

*Primary Examiner*—Doris Clark

(21) Appl. No.: **29/279,052**

(74) *Attorney, Agent, or Firm*—Grossman Tucker Perreault & Pflieger, PLLC

(22) Filed: **Apr. 18, 2007**

(57) **CLAIM**

(30) **Foreign Application Priority Data**

The ornamental design for a rail profile, as shown and described.

Oct. 18, 2006 (EM) ..... 000612395

(51) **LOC (9) Cl.** ..... **25-02**

(52) **U.S. Cl.** ..... **D25/38**

(58) **Field of Classification Search** ..... D25/38;  
256/19, 22, 65.01, 65.14, 65.11, 65.02, 59,  
256/65.15, 65.16

See application file for complete search history.

**DESCRIPTION**

FIG. 1 is a front view of the present invention;

FIG. 2 is a back view thereof;

FIG. 3 is a side view thereof;

FIG. 4 is a top view thereof; and,

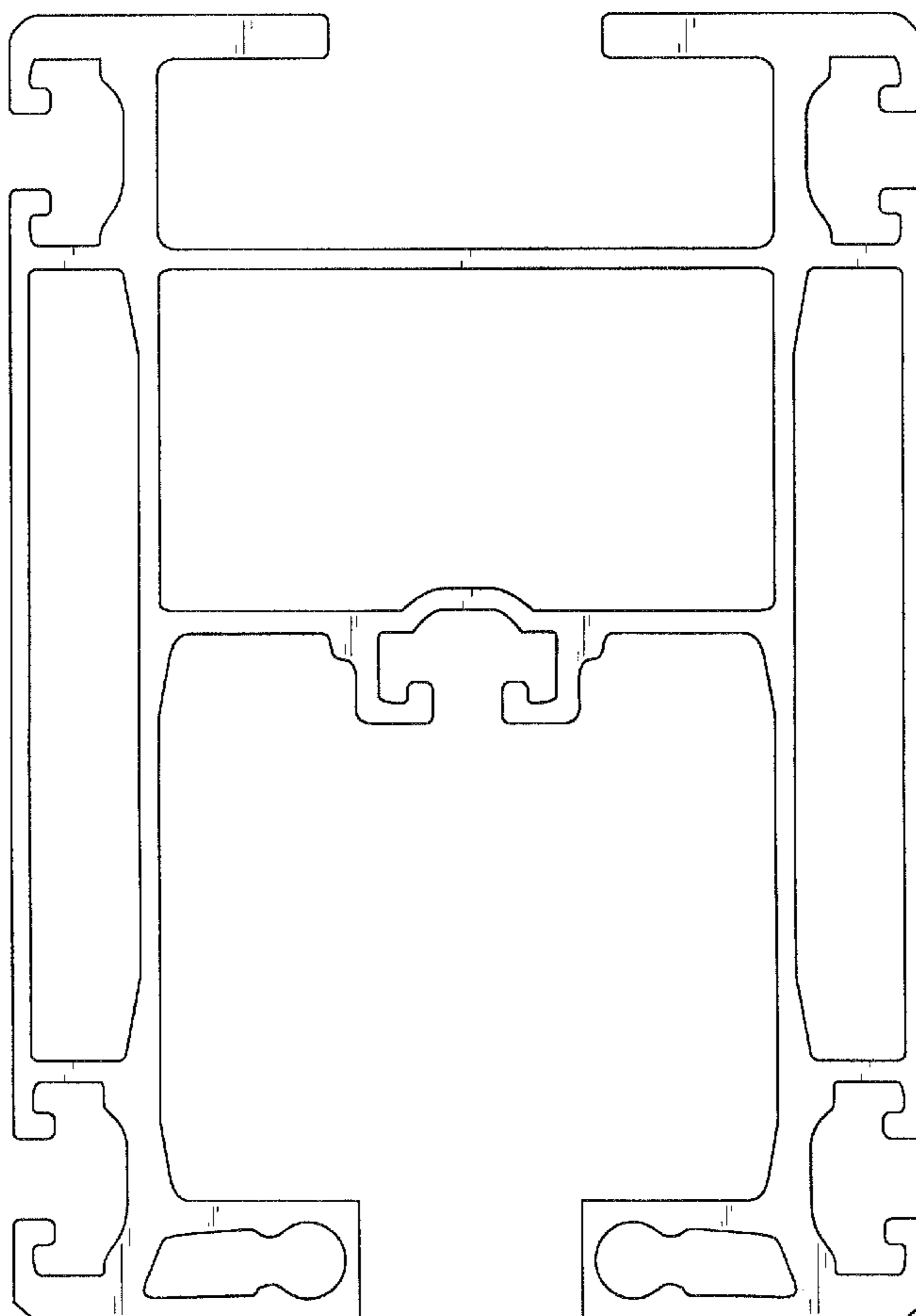
FIG. 5 is a bottom view thereof.

(56) **References Cited**

**U.S. PATENT DOCUMENTS**

3,918,686 A \* 11/1975 Knott et al. .... 256/59

**1 Claim, 5 Drawing Sheets**



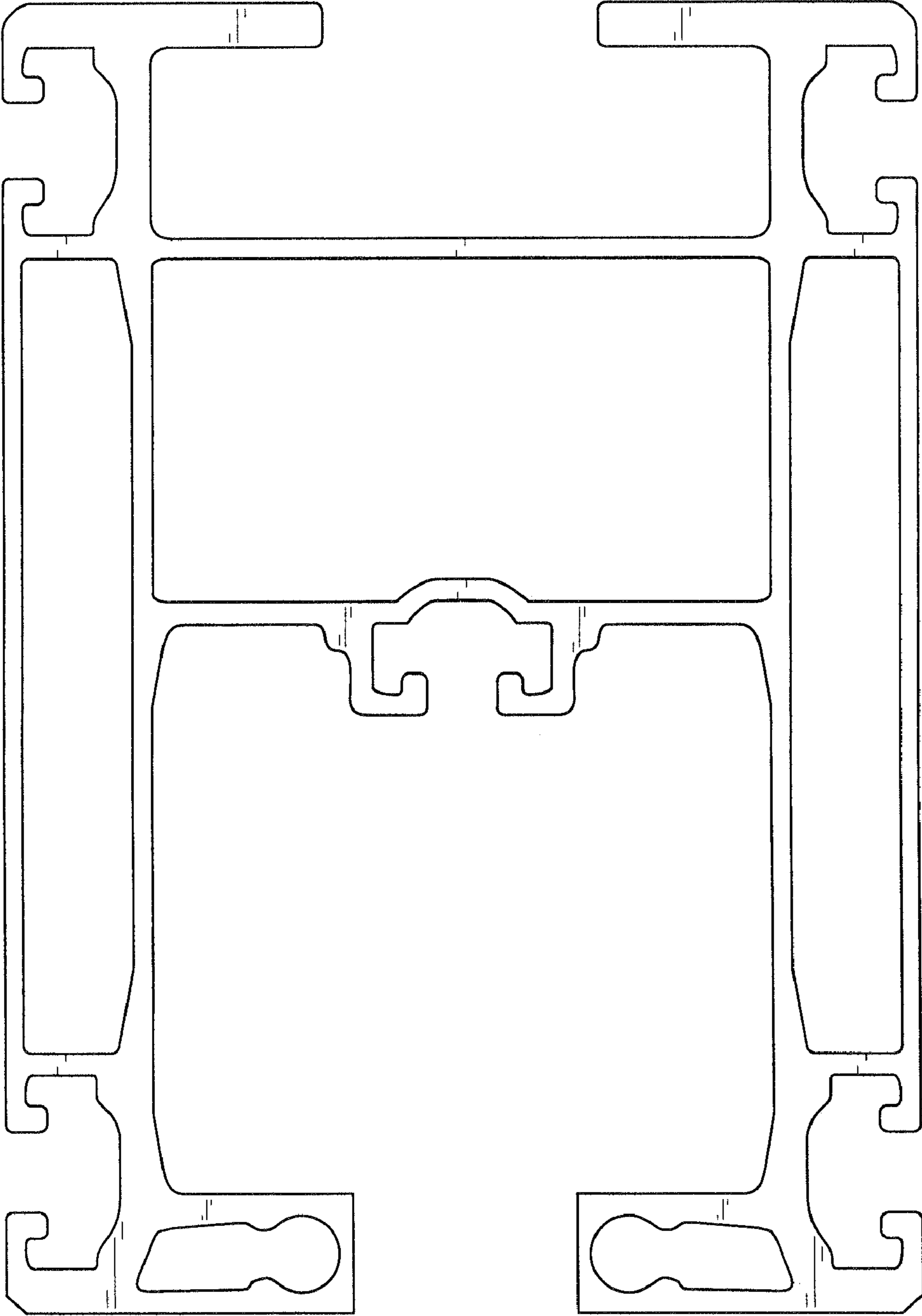


FIG. 1

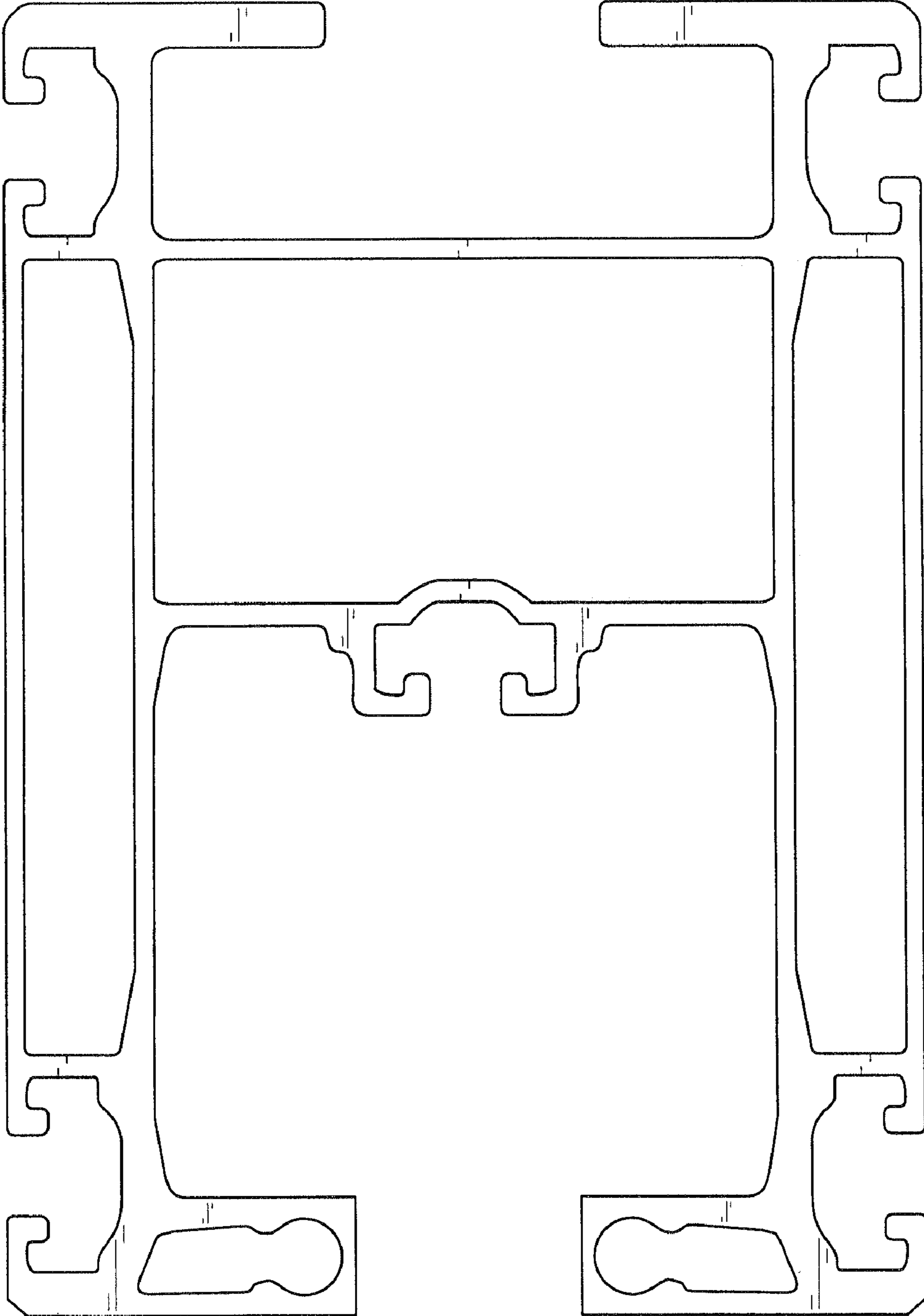


FIG. 2

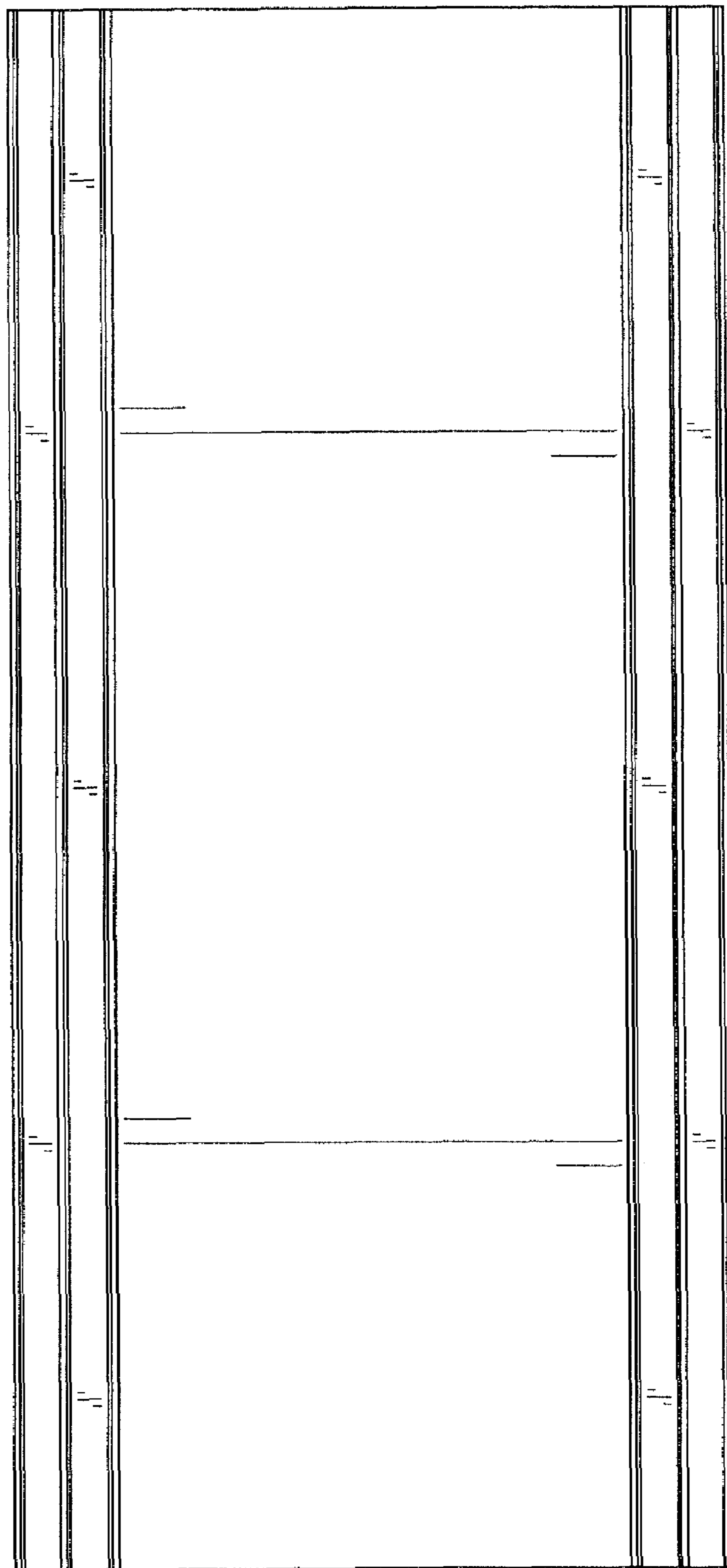


FIG. 3

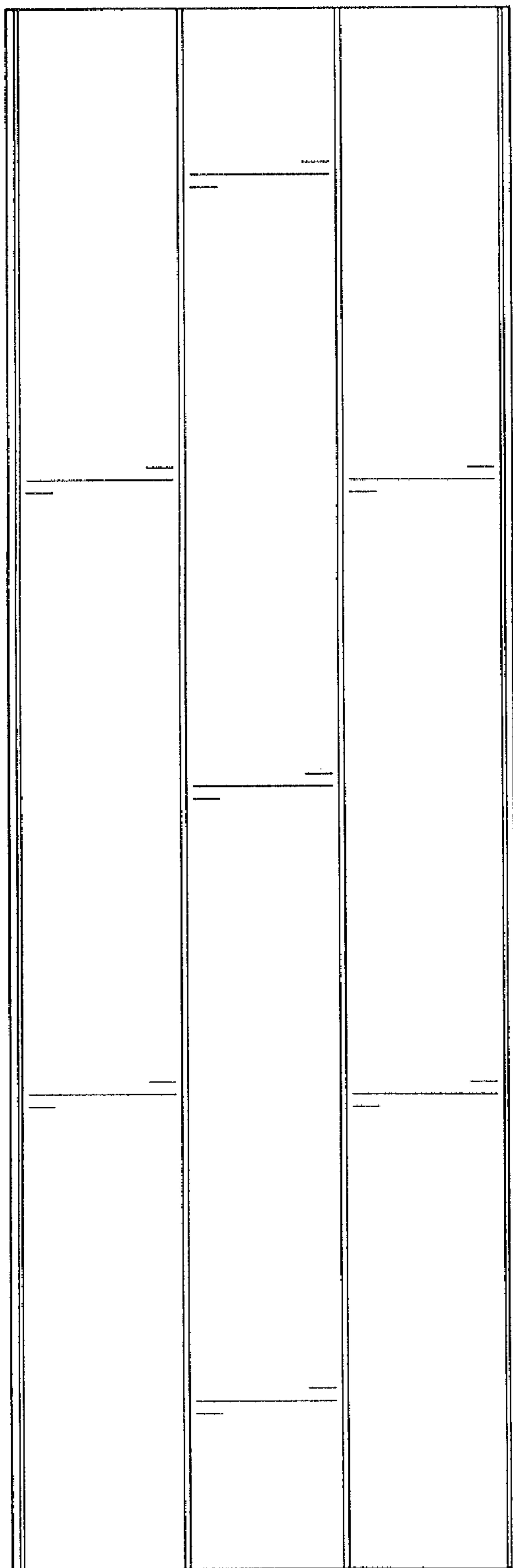


FIG. 4

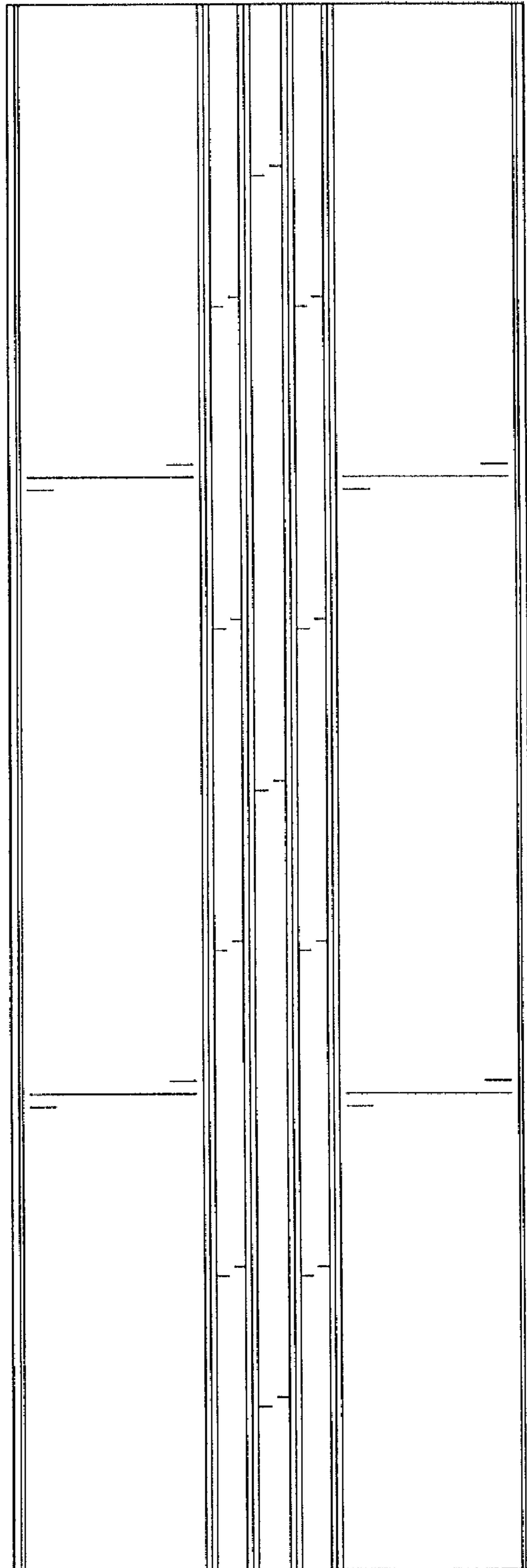


FIG. 5