



US00D584414S

(12) **United States Design Patent**
Lash et al.

(10) **Patent No.:** **US D584,414 S**
(45) **Date of Patent:** **** Jan. 6, 2009**

(54) **SENSOR PAD**

(75) Inventors: **Robert E Lash**, Redwood City, CA (US); **Jimmy Jian-min Mao**, Fremont, CA (US)

(73) Assignee: **ViOptix, Inc.**, Fremont, CA (US)

(**) Term: **14 Years**

(21) Appl. No.: **29/303,969**

(22) Filed: **Feb. 21, 2008**

Related U.S. Application Data

(63) Continuation of application No. 29/281,486, filed on Jun. 25, 2007.

(51) **LOC (9) Cl.** **24-01**

(52) **U.S. Cl.** **D24/187**

(58) **Field of Classification Search** D24/167, D24/168, 182, 187; 439/729; 600/372, 382-384, 600/391-394, 396-397; 607/148-149, 152
See application file for complete search history.

(56) **References Cited**

U.S. PATENT DOCUMENTS

4,674,512 A * 6/1987 Rolf 600/391
D297,461 S 8/1988 Inoue et al.
D327,739 S 7/1992 Anderson
D378,614 S * 3/1997 Jensen D24/187
D385,037 S 10/1997 Jensen

D457,634 S * 5/2002 Rouns et al. D24/168
D477,085 S * 7/2003 Sanfilippo D24/187
D478,668 S 8/2003 Epstein
D495,055 S 8/2004 Silber
D511,004 S * 10/2005 Masuda D24/187
D511,384 S * 11/2005 Masuda D24/187
D561,900 S * 2/2008 Becsi D24/187
2006/0258928 A1 11/2006 Ortner et al.

* cited by examiner

Primary Examiner—Mark Cavanna

(74) *Attorney, Agent, or Firm*—Aka Chan LLP

(57) **CLAIM**

The ornamental design for a sensor pad, as shown and described.

DESCRIPTION

FIG. 1 shows a perspective view of a design for a sensor pad.

FIG. 2 shows a top view of the design.

FIG. 3 shows a bottom view of the design.

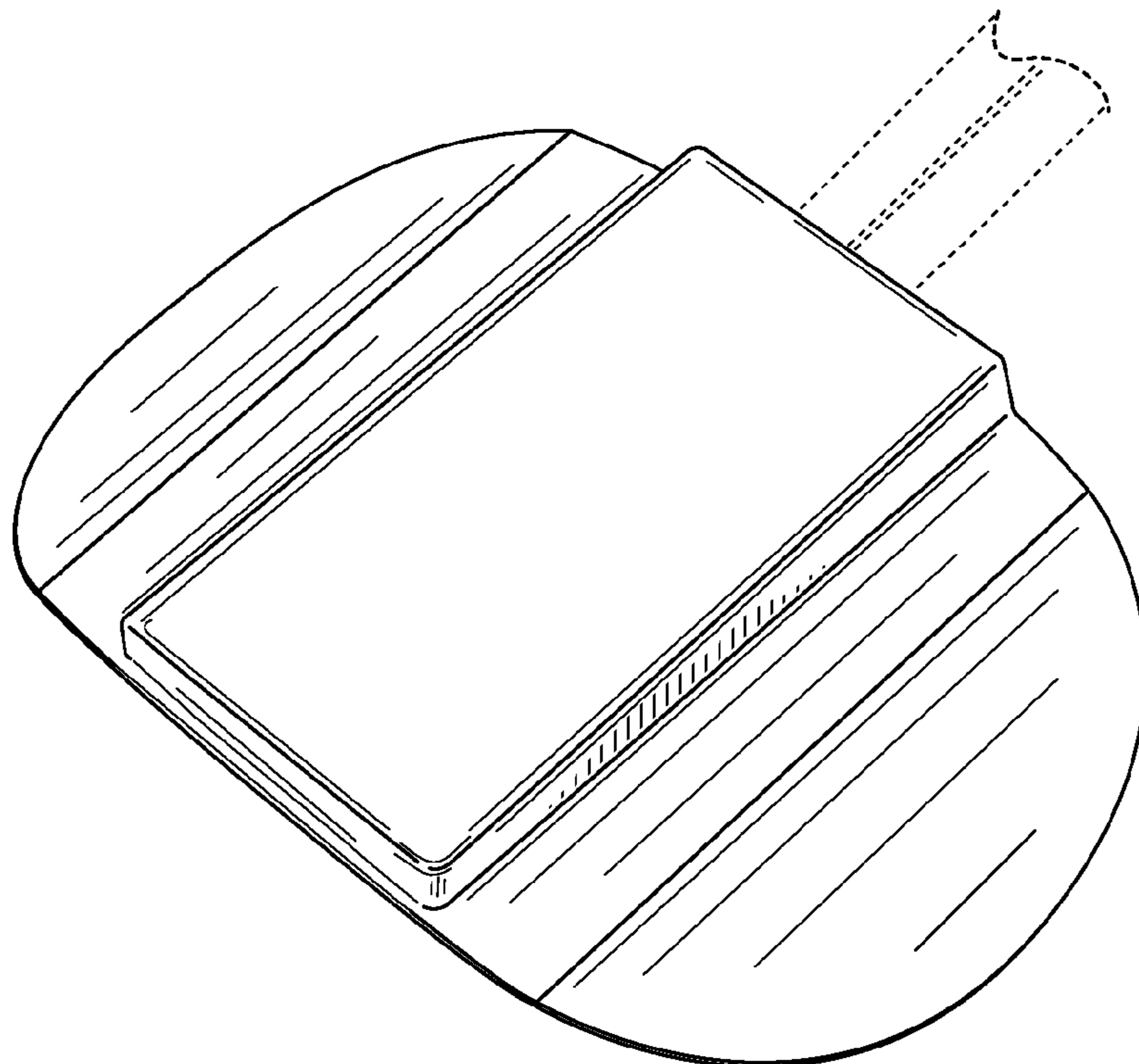
FIG. 4 shows a front view of the design.

FIG. 5 shows a right side view of the design. A left side view of the design is a mirror image of the right side view; and,

FIG. 6 shows a view of the sensor when placed on a thenar eminence of a hand of a person.

The broken-line features in the figures are for illustrative purposes only and form no part of the claimed design.

1 Claim, 5 Drawing Sheets



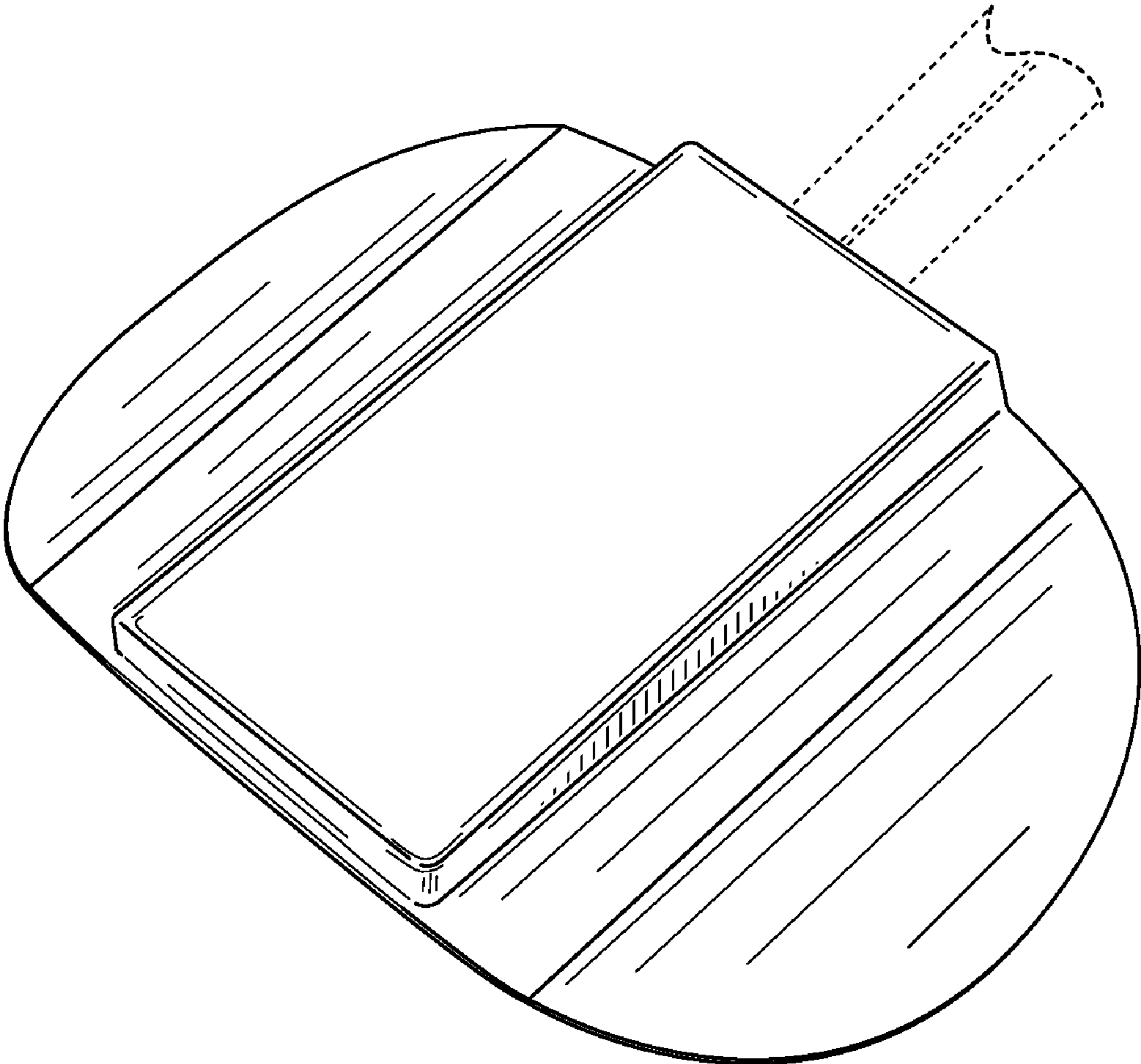


FIG. 1

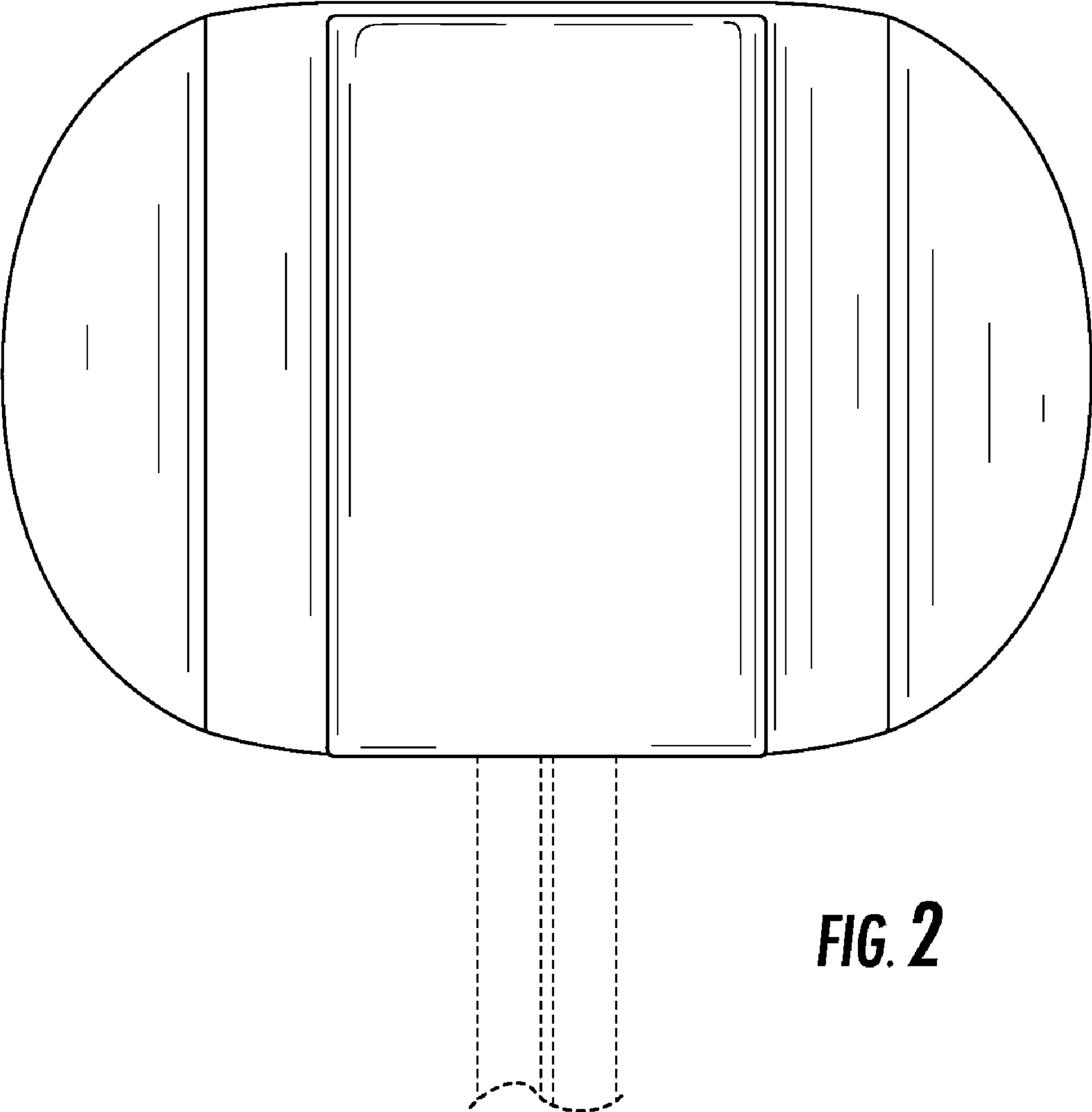


FIG. 2

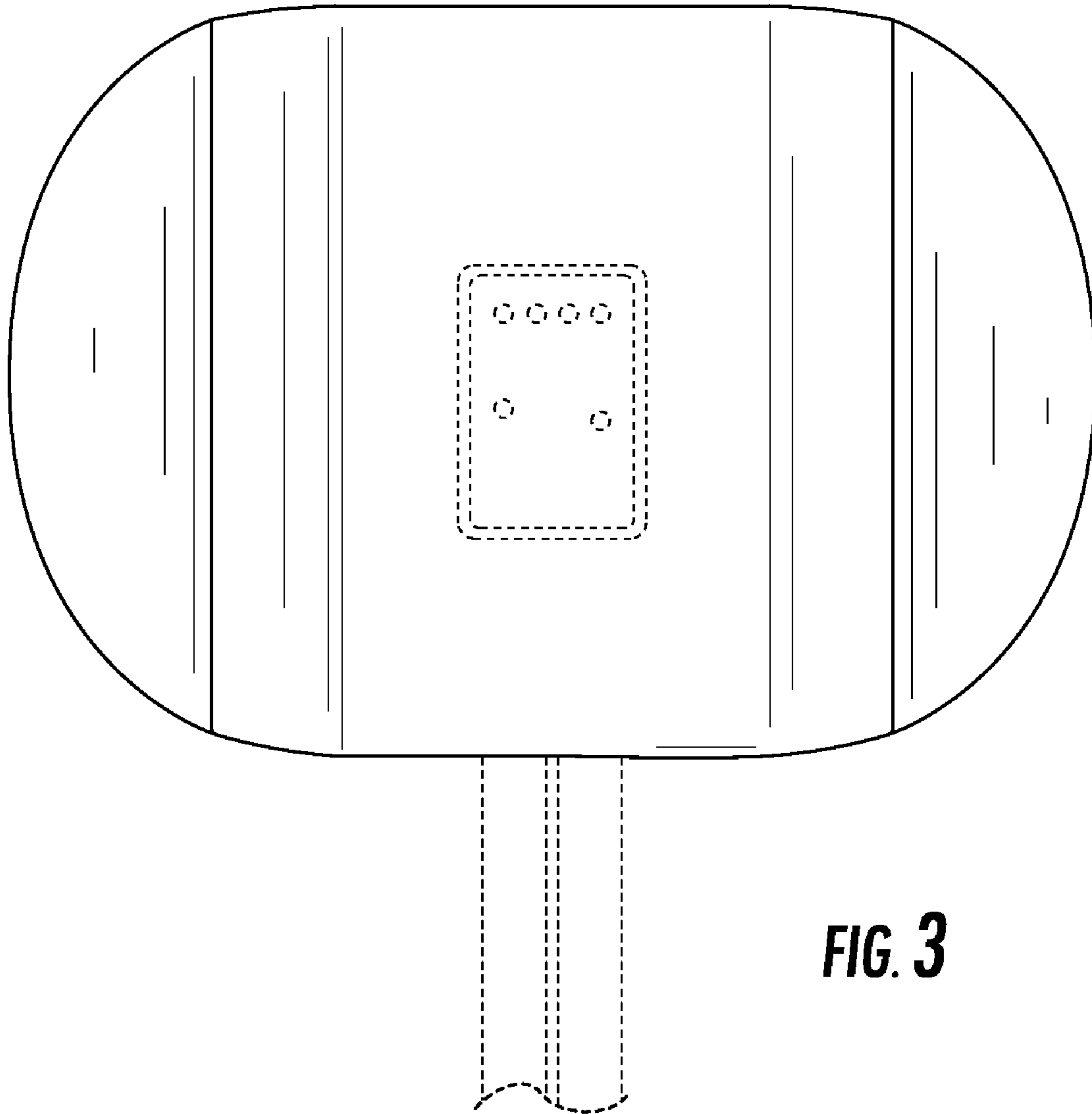


FIG. 3



FIG. 4



FIG. 5

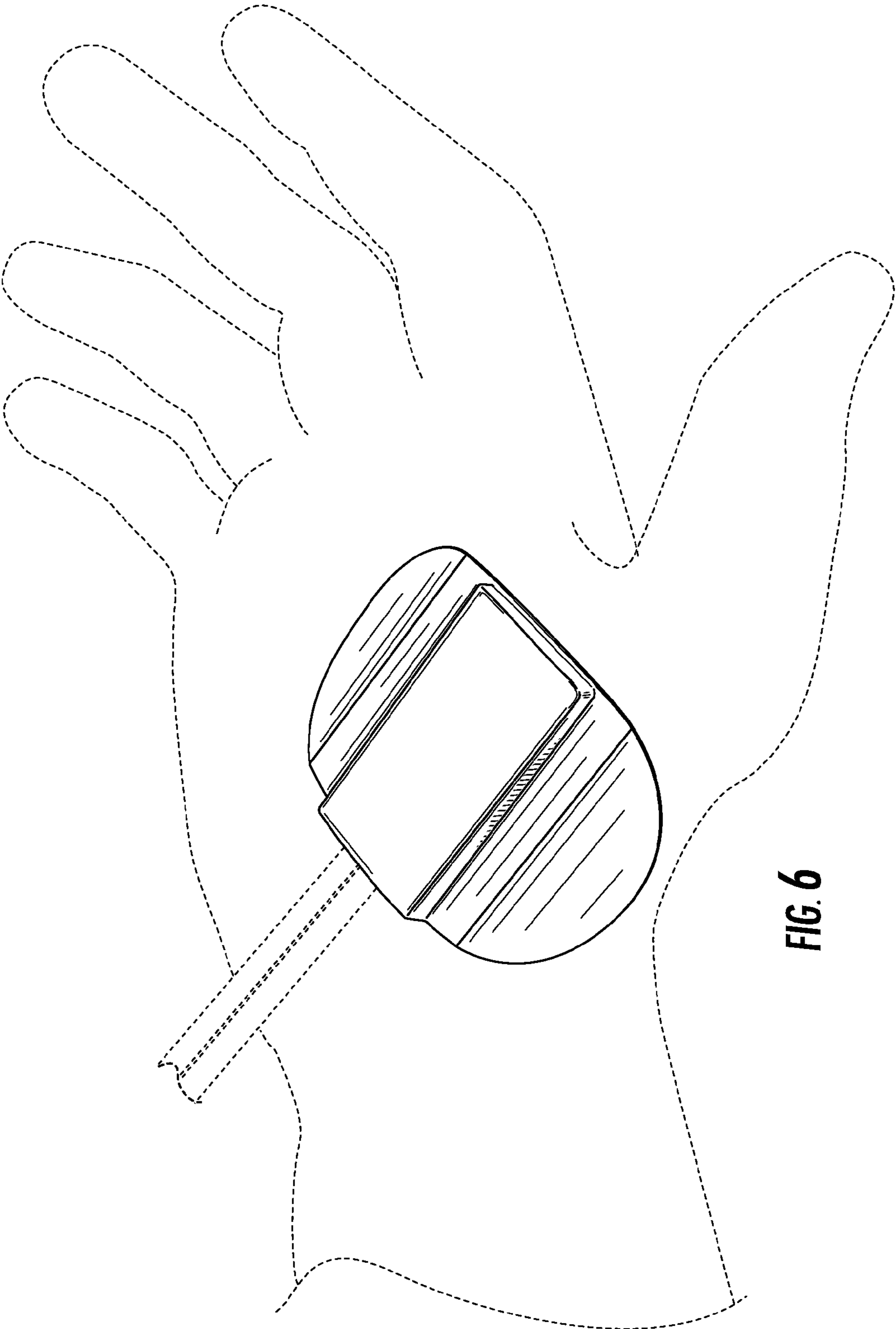


FIG. 6