



US00D584413S

(12) **United States Design Patent**  
**Lambalot**

(10) **Patent No.:** **US D584,413 S**

(45) **Date of Patent:** **\*\* Jan. 6, 2009**

(54) **EXPANSION CIRCUIT CART**

D493,593 S \* 7/2004 Anderson ..... D34/14  
D561,972 S \* 2/2008 Roever ..... D34/17

(75) Inventor: **Charles Lambalot**, Mansfield, MA (US)

\* cited by examiner

(73) Assignee: **GE Healthcare Bioscience Bioprocess Corp.**, Piscataway, NJ (US)

*Primary Examiner*—Robert A. Delehanty

*Assistant Examiner*—Mark Cavanna

(\*\*) Term: **14 Years**

(74) *Attorney, Agent, or Firm*—Dwayne L. Bentley

(21) Appl. No.: **29/299,886**

(57) **CLAIM**

(22) Filed: **Jan. 7, 2008**

The ornamental design for an expansion circuit cart, as shown and described.

(51) **LOC (9) Cl.** ..... **24-01**

(52) **U.S. Cl.** ..... **D24/185; D34/17**

(58) **Field of Classification Search** ..... D24/107,  
D24/177, 185–186; D6/465, 476, 478–479;  
D34/12–27; 108/209, 177, 189; 280/47.34–47.35,  
280/79.11, 79.2–79.3

See application file for complete search history.

**DESCRIPTION**

The Normal Flow Filter Ready to Process Cart is composed of stainless steel material with a retractable T-Bar configuration on each end of cart.

FIG. 1 is a perspective view of the expansion circuit cart showing our new design.

FIG. 2 is a front view of the expansion circuit cart of FIG. 1.

FIG. 3 is a back view of the expansion circuit cart of FIG. 1.

FIG. 4 is a left side view of the expansion circuit cart of FIG. 1.

FIG. 5 is a right side view of the expansion circuit cart of FIG. 1.

FIG. 6 is a top plan view of the expansion circuit cart of FIG. 1; and,

FIG. 7 is a bottom plan view of the expansion circuit cart of FIG. 1.

(56) **References Cited**

U.S. PATENT DOCUMENTS

1,854,777	A *	4/1932	Bales	.....	108/177
2,886,186	A *	5/1959	Hamilton	.....	108/189
D189,824	S *	2/1961	Harper	.....	D6/465
D199,670	S *	12/1964	Inglis	.....	D34/21
D275,044	S *	8/1984	Hampshire et al.	.....	D6/476
D301,652	S *	6/1989	Roberts	.....	D6/479
D313,878	S *	1/1991	Rinkewich	.....	D34/17
D344,382	S *	2/1994	Conaway et al.	.....	D34/21
D362,528	S *	9/1995	Shannon et al.	.....	D34/21
D409,019	S *	5/1999	Crinion	.....	D6/478
D478,199	S *	8/2003	Presnell et al.	.....	D34/21

**1 Claim, 5 Drawing Sheets**

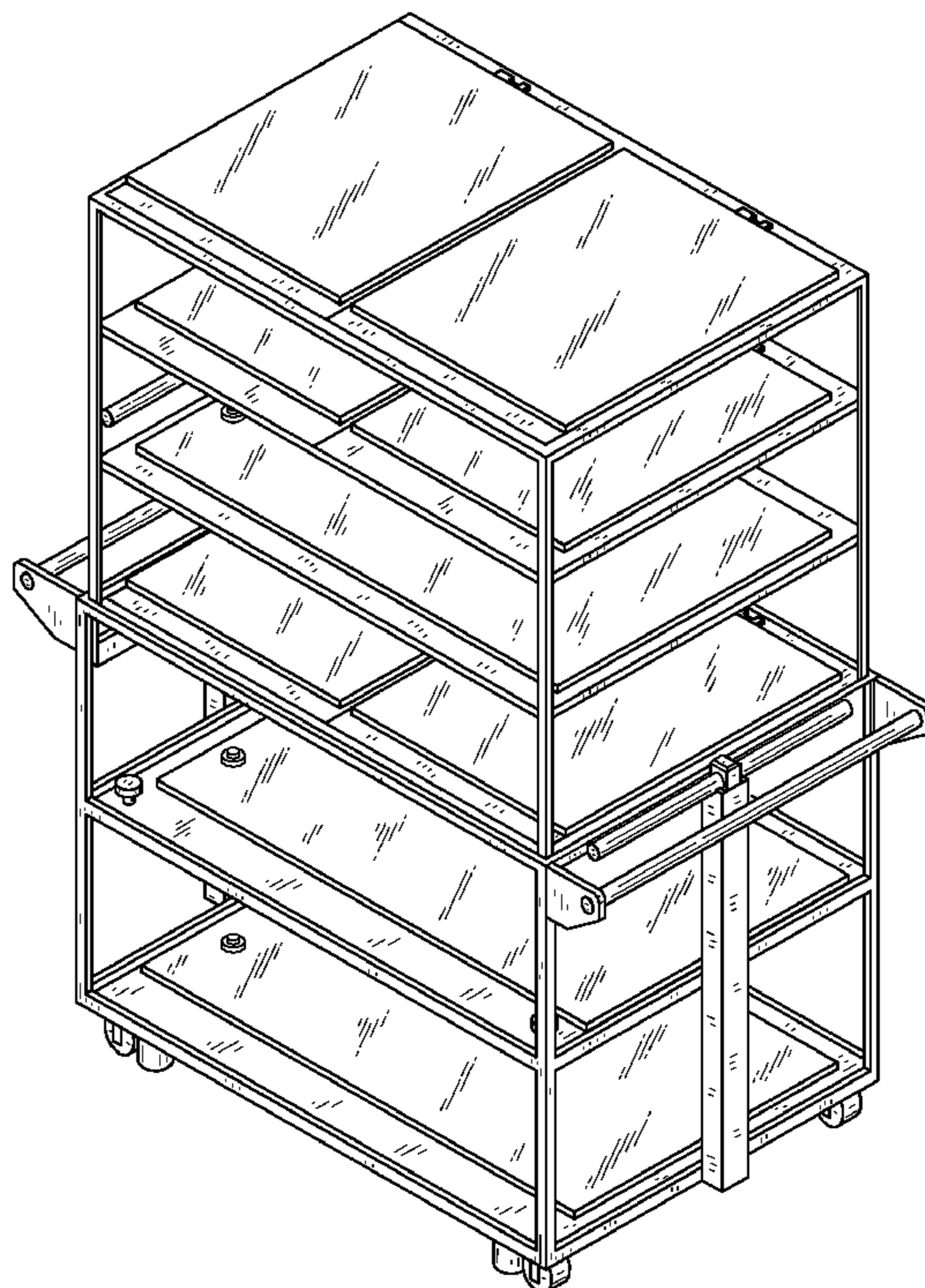


FIG. 1

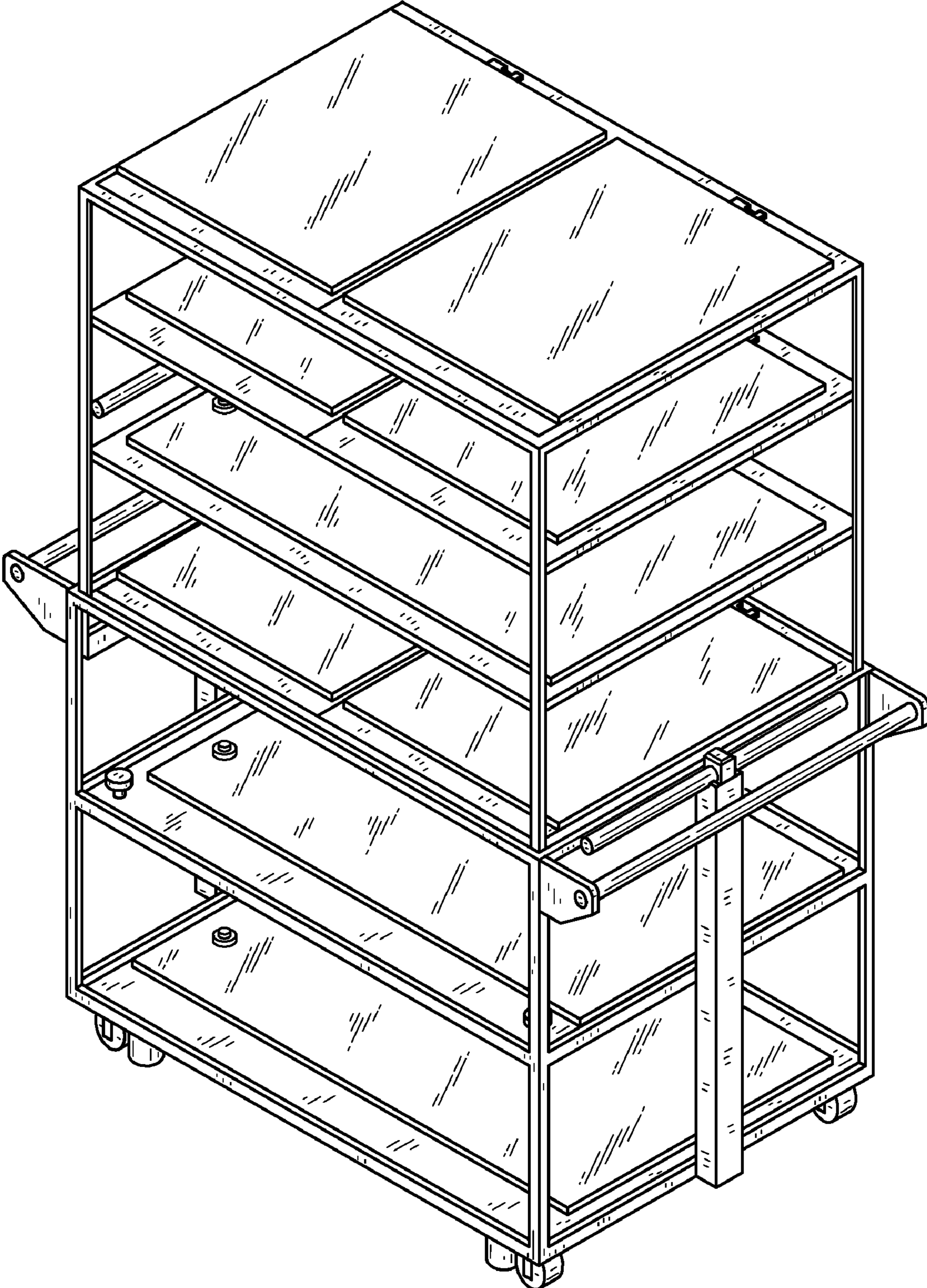


FIG. 2

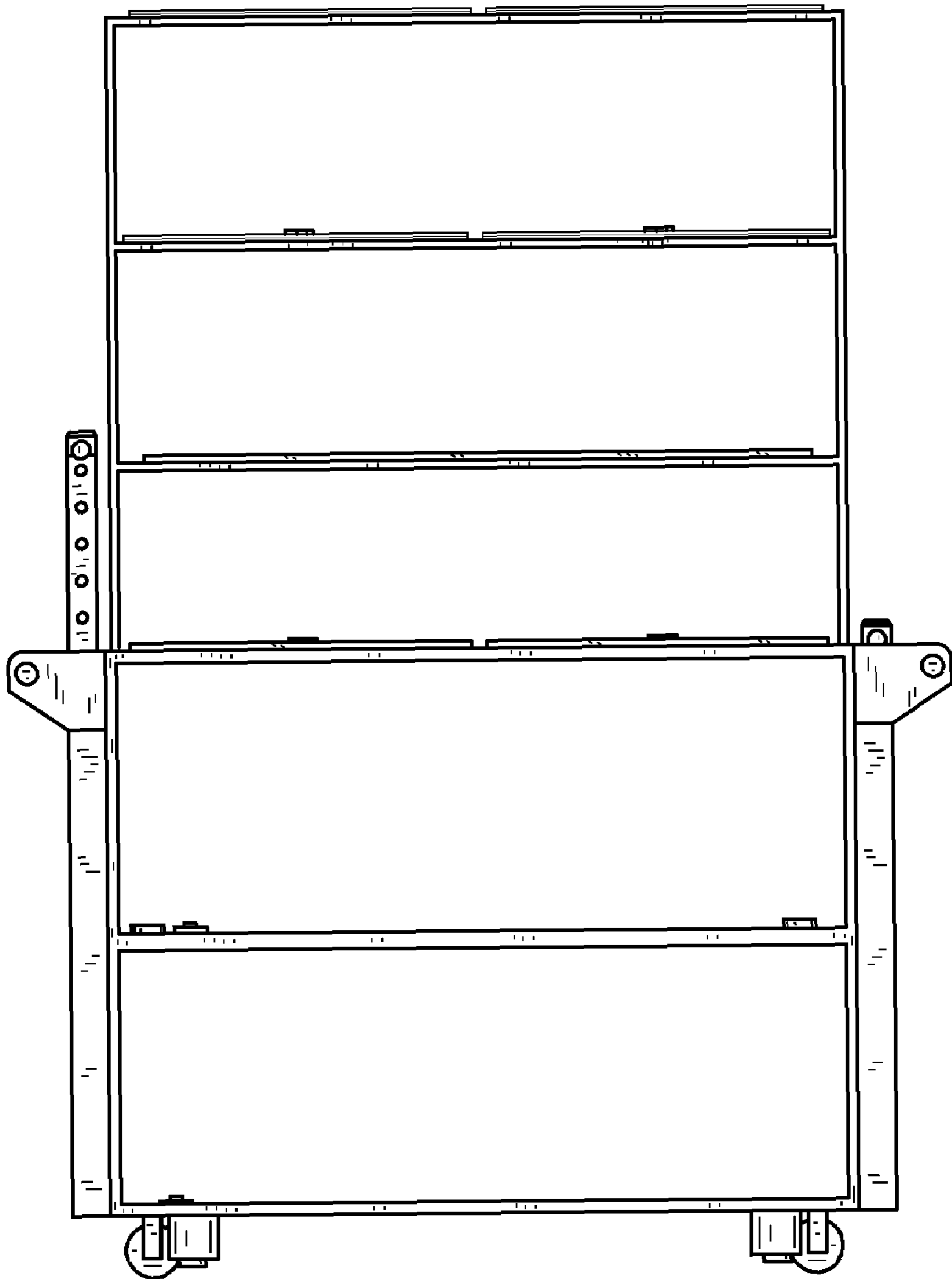


FIG. 3

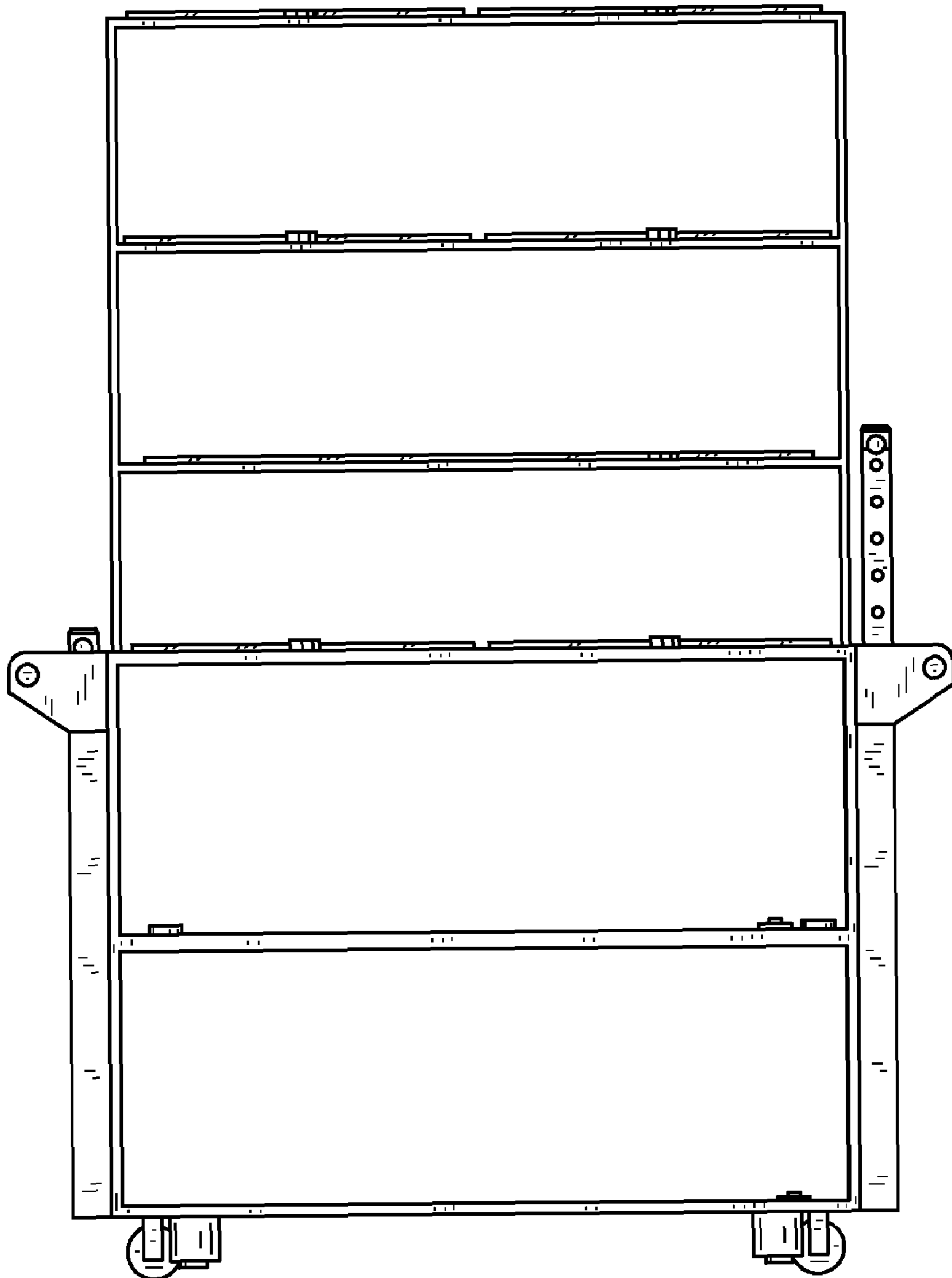


FIG. 4

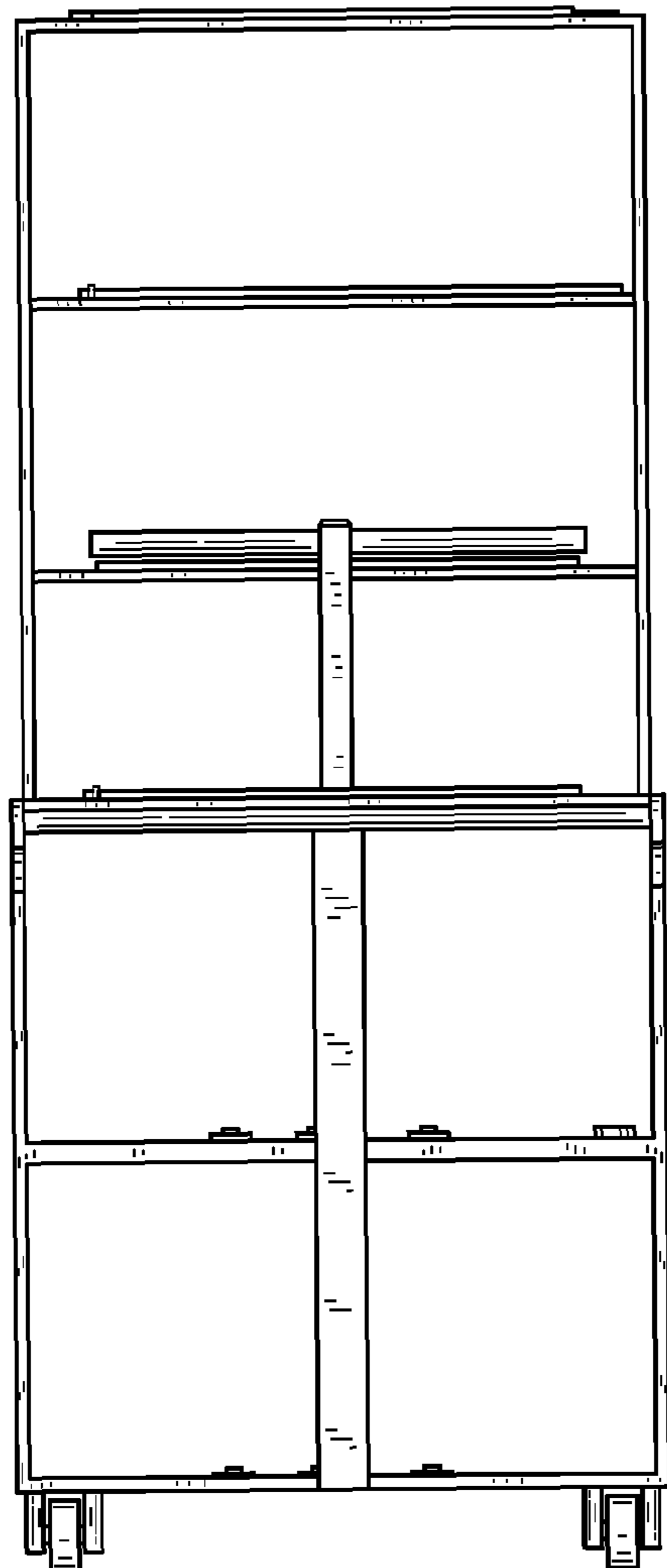


FIG. 5

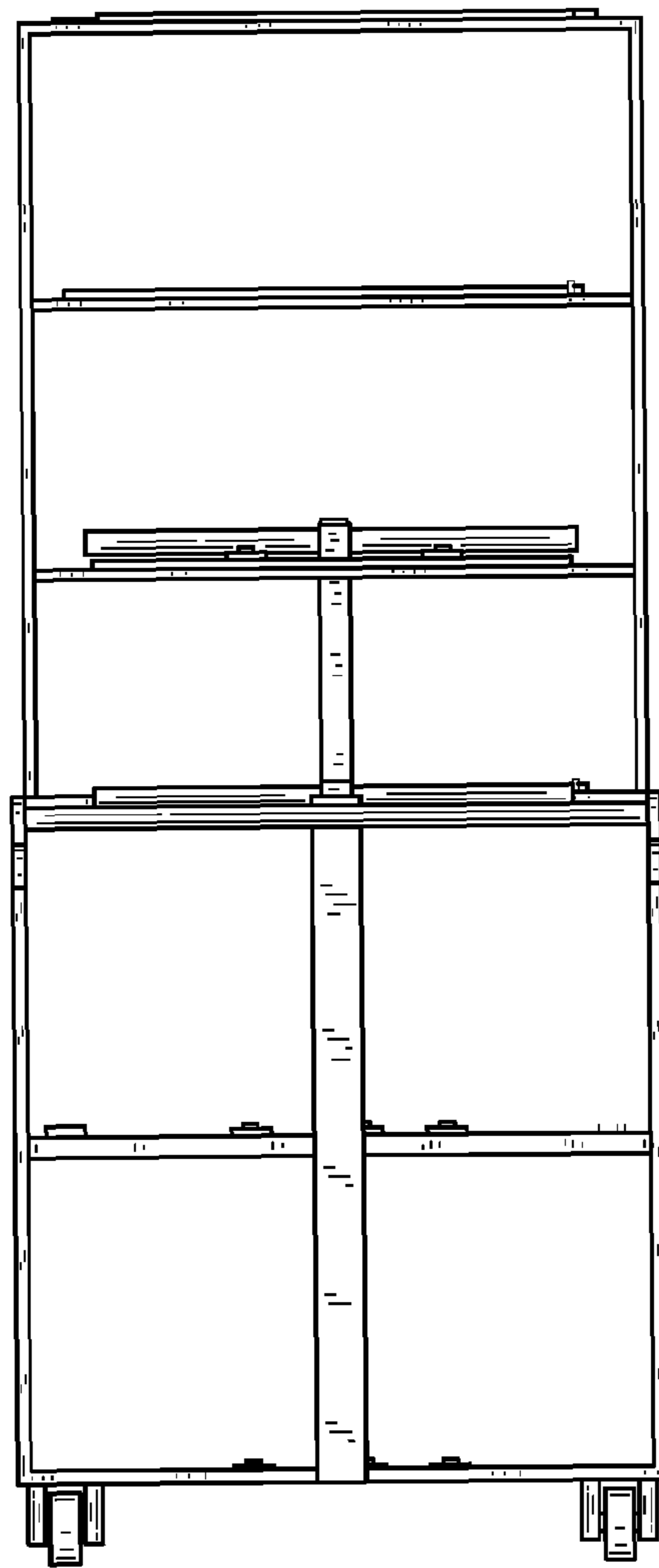


FIG. 6

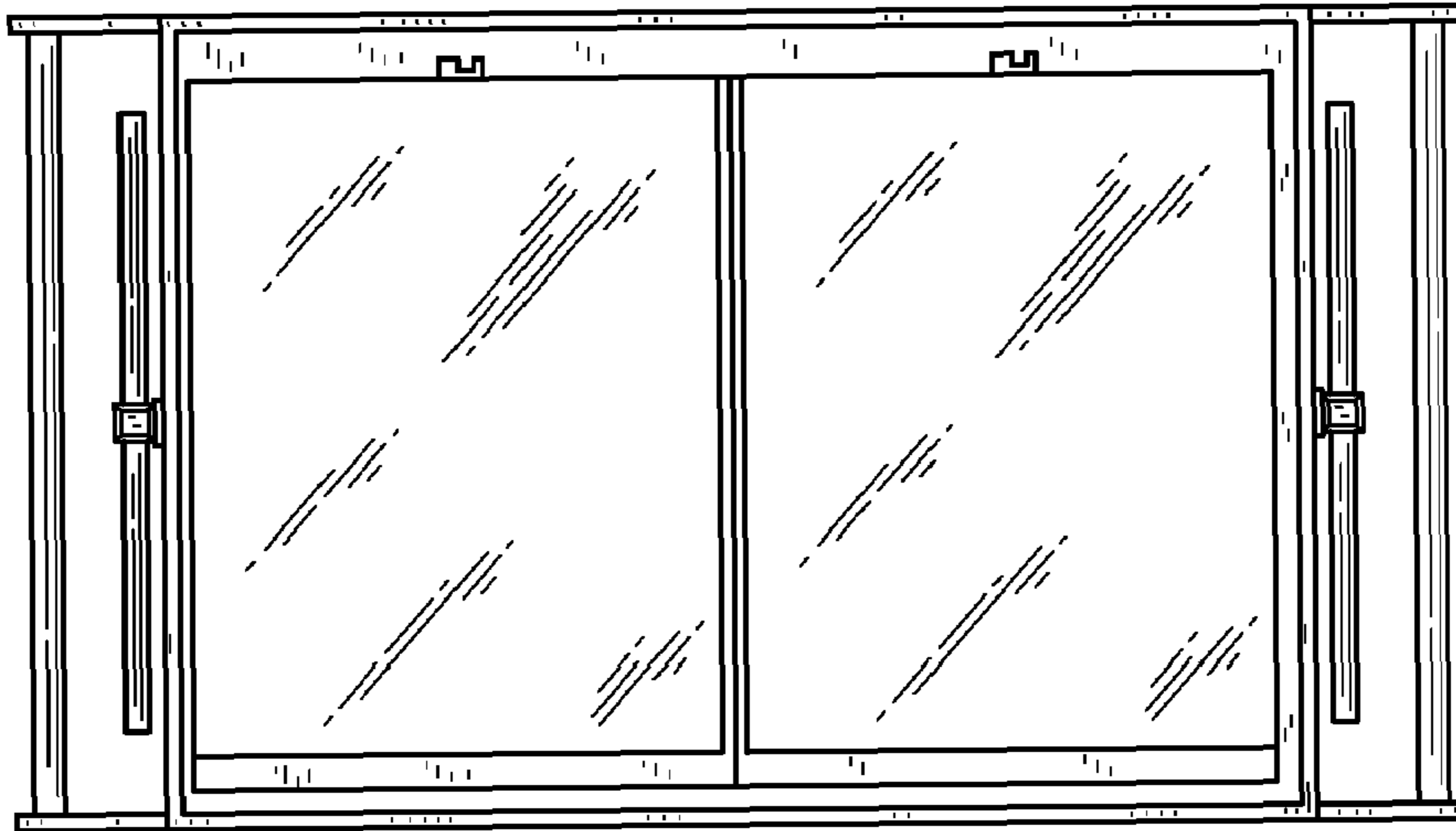


FIG. 7

