



US00D584412S

(12) **United States Design Patent**  
**Semler et al.**

(10) **Patent No.:** **US D584,412 S**  
(45) **Date of Patent:** **\*\* Jan. 6, 2009**

(54) **VASCULAR COMPRESSION DEVICE**

(76) Inventors: **Matt Semler**, 2326 NW. Everett St.,  
Portland, OR (US) 97210; **Philip Benz**,  
2326 NW. Everett St., Portland, OR (US)  
97210; **Gary Mills**, 2326 NW. Everett  
St., Portland, OR (US) 97210

(\*\*) Term: **14 Years**

(21) Appl. No.: **29/291,334**

(22) Filed: **Aug. 23, 2007**

(51) **LOC (9) Cl.** ..... **24-04**

(52) **U.S. Cl.** ..... **D24/169**

(58) **Field of Classification Search** ..... D24/165-169,  
D24/186, 133, 142, 214; 606/201, 204; 601/134;  
600/16, 17

See application file for complete search history.

(56) **References Cited**

**U.S. PATENT DOCUMENTS**

D257,391 S *	10/1980	Gammon	.....	D24/168
D461,008 S *	7/2002	Hampf et al.	.....	D24/167
D475,141 S *	5/2003	Shin	.....	D24/214
D479,335 S *	9/2003	Huang	.....	D24/214
D503,232 S *	3/2005	Semler et al.	.....	D24/169
D566,267 S *	4/2008	Benz et al.	.....	D24/167

\* cited by examiner

*Primary Examiner*—Louis S Zarfaz  
*Assistant Examiner*—Anhdao Doan  
(74) *Attorney, Agent, or Firm*—Ater Wynne LLP

(57) **CLAIM**

We claim the ornamental design for a vascular compression device, as shown and described.

**DESCRIPTION**

FIG. 1 is an isometric view of the vascular compression device.

FIG. 2 is a front elevation of the vascular compression device corresponding to FIG. 1.

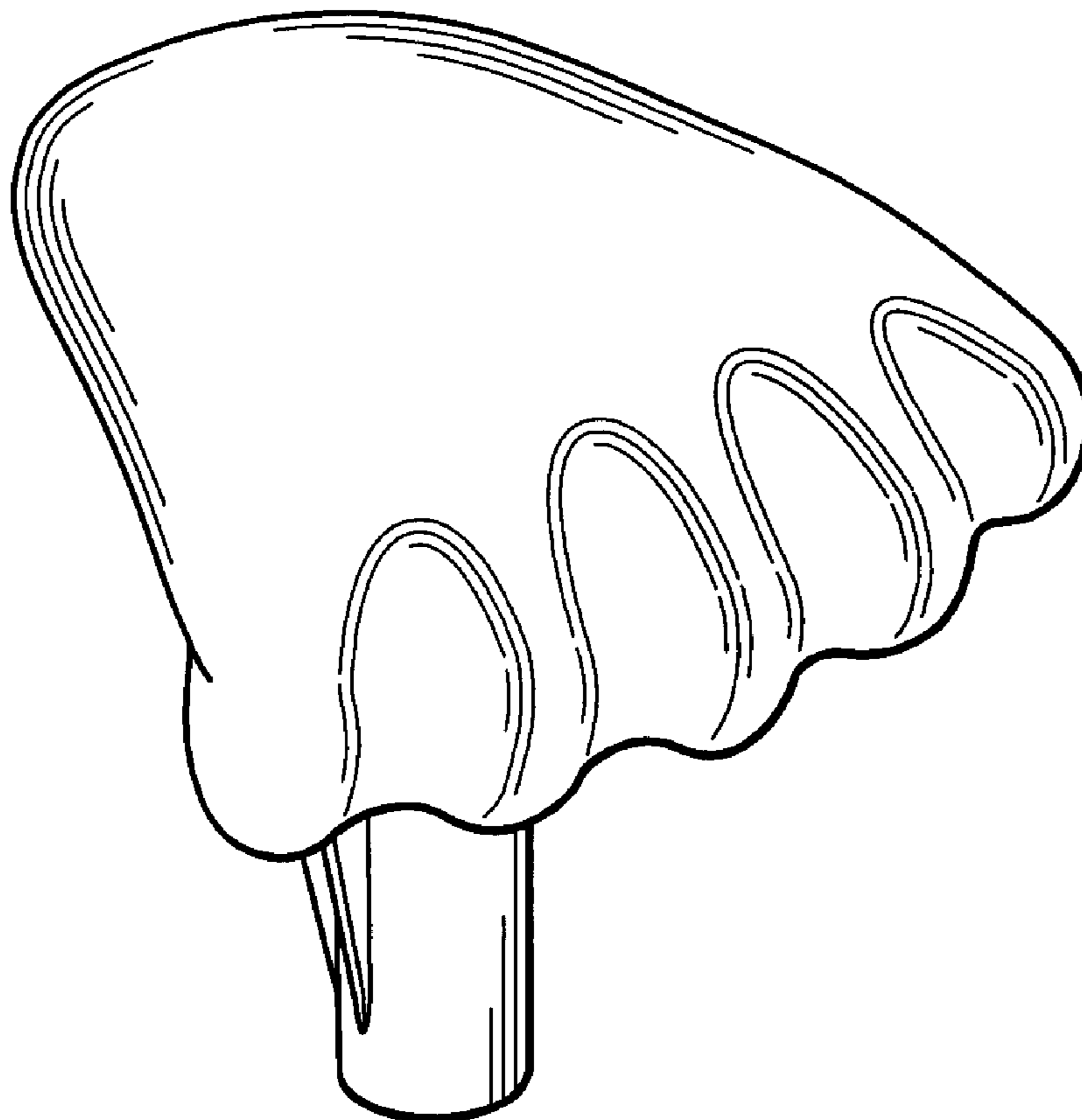
FIG. 3 is a right side elevation of the vascular compression device corresponding to FIG. 1, the left side elevation being a mirror image thereof.

FIG. 4 is a rear elevation of the vascular compression device corresponding to FIG. 1.

FIG. 5 is a top plan view of the vascular compression device corresponding to FIG. 1; and,

FIG. 6 is a bottom view of the vascular compression device corresponding to FIG. 1.

**1 Claim, 2 Drawing Sheets**



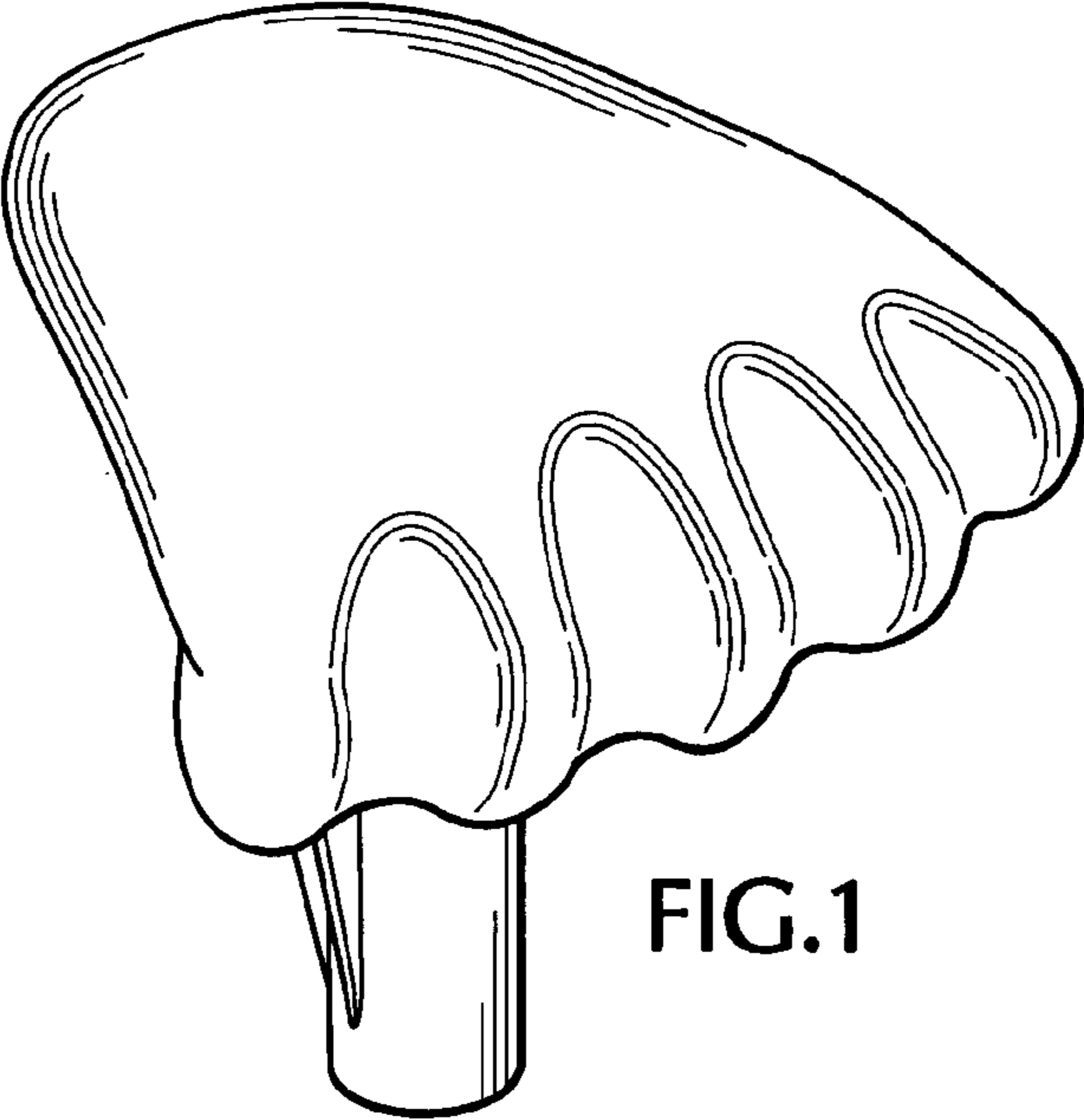


FIG.1

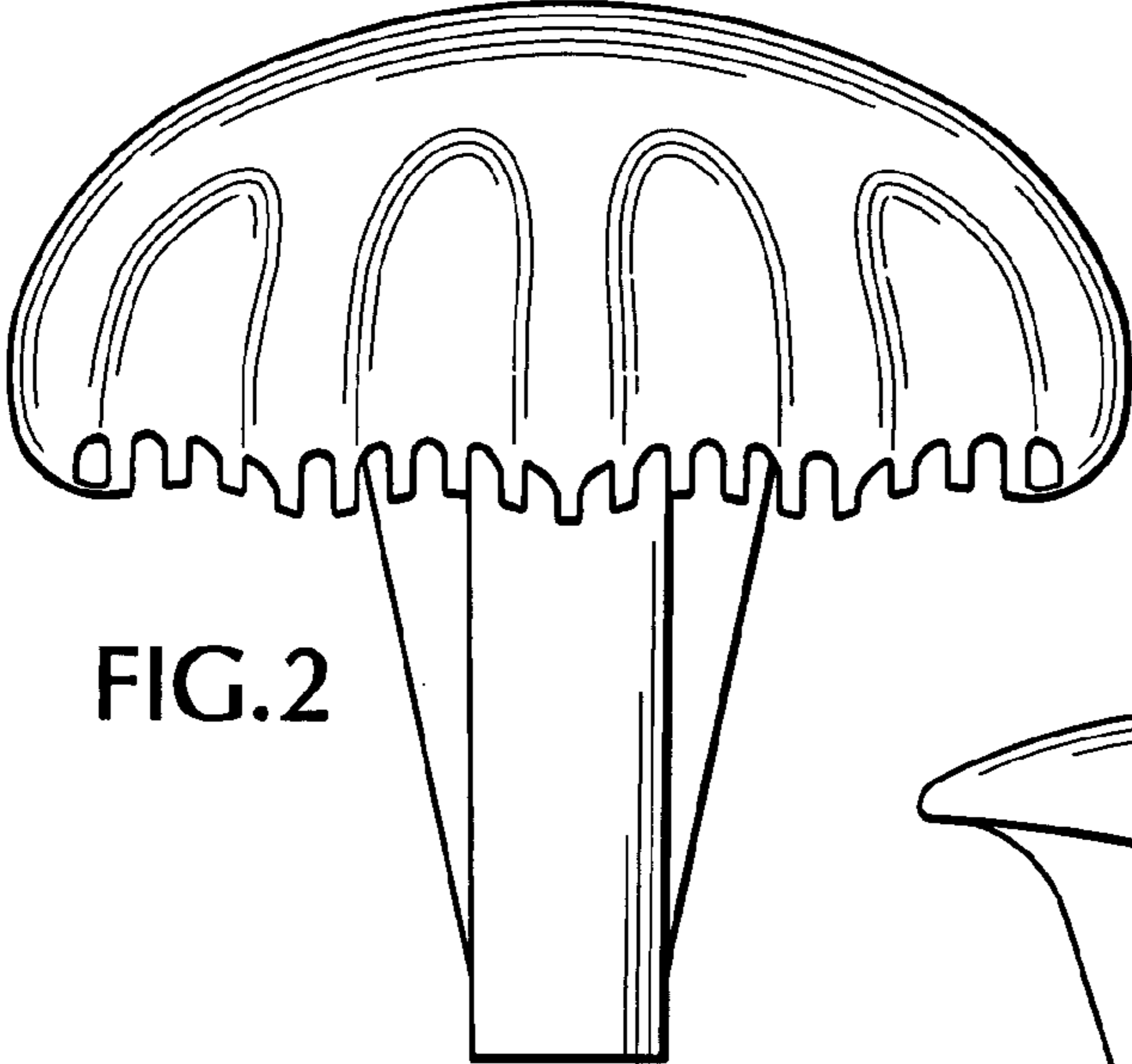


FIG.2

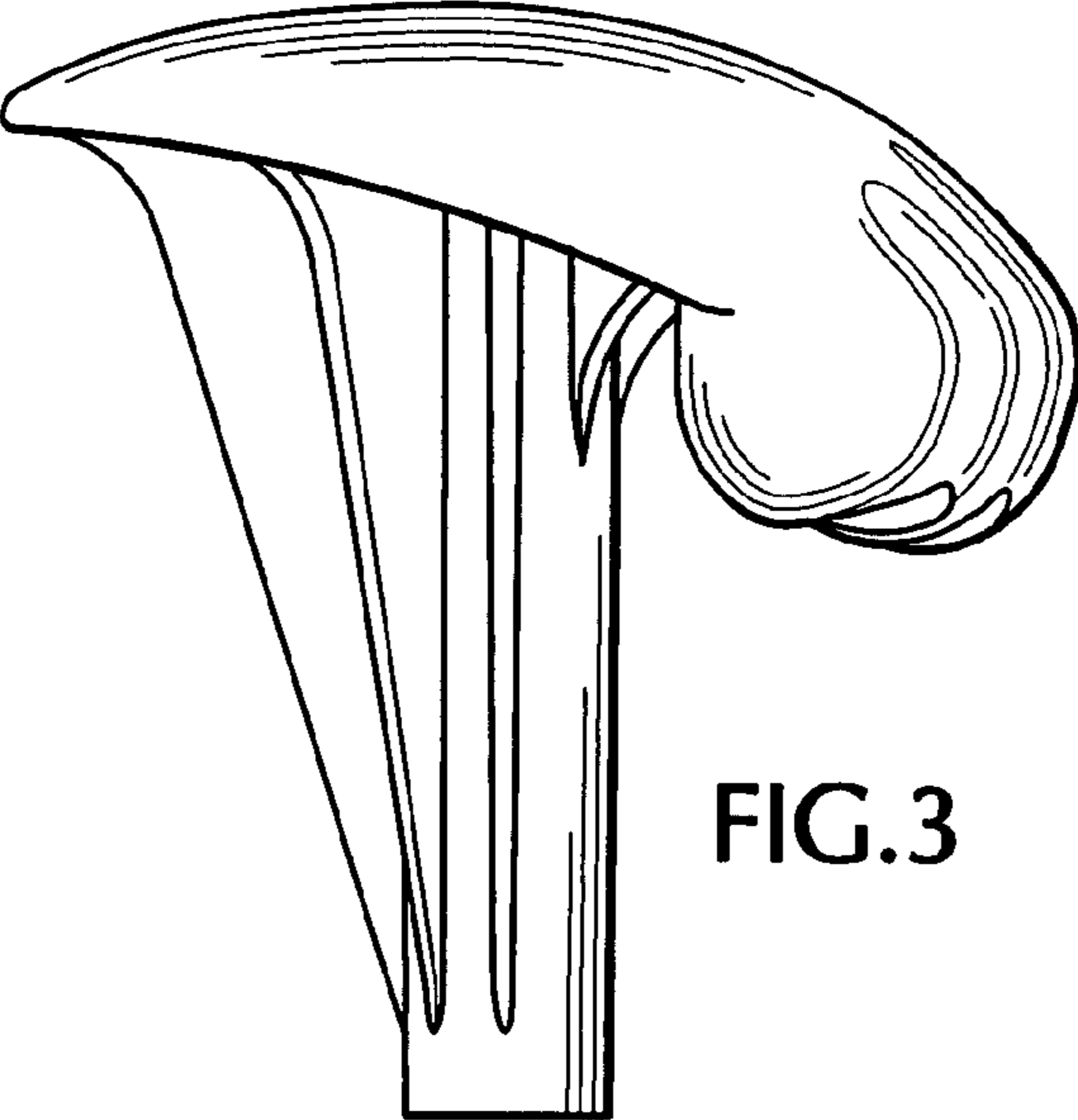


FIG.3

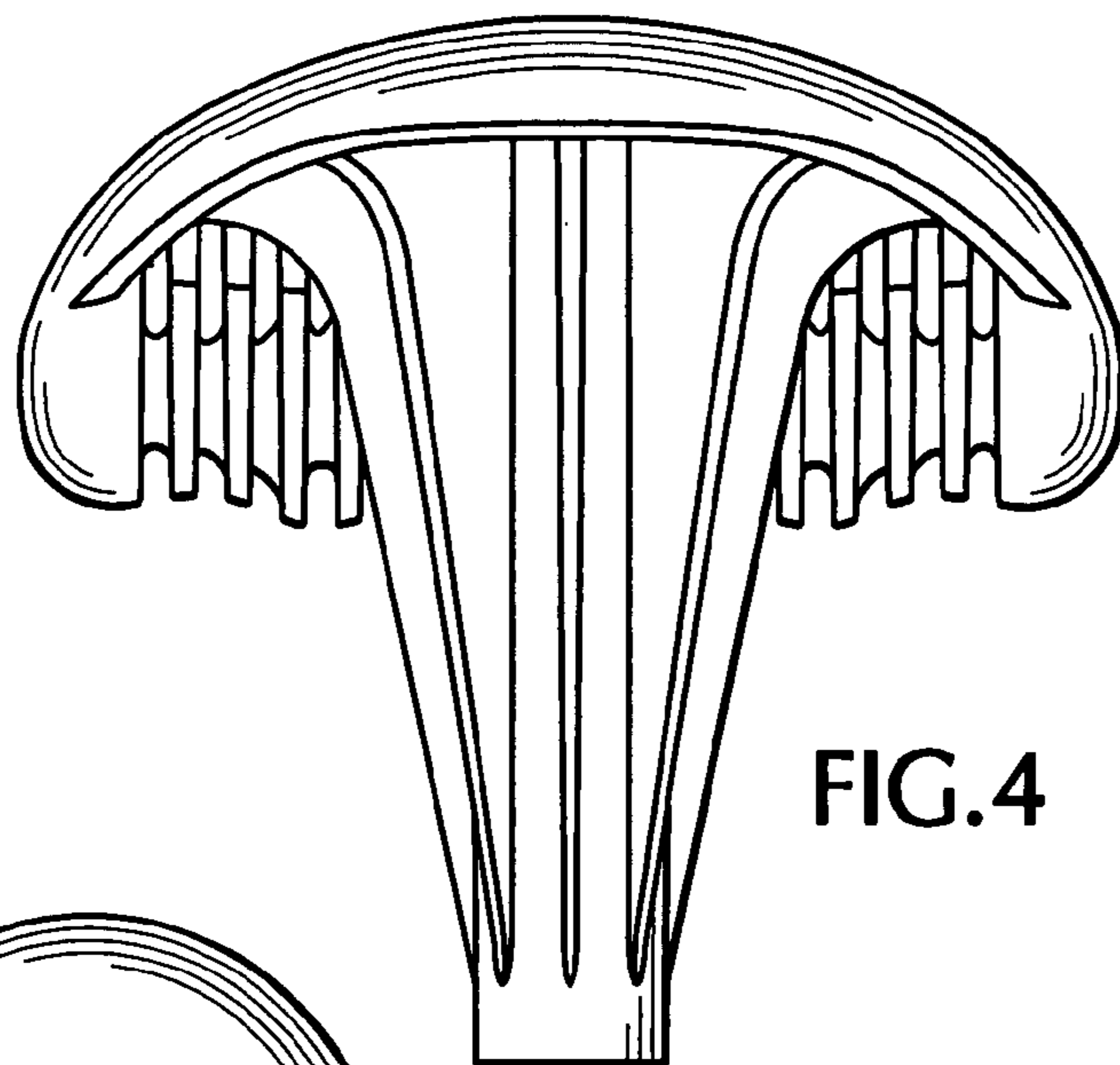


FIG. 4

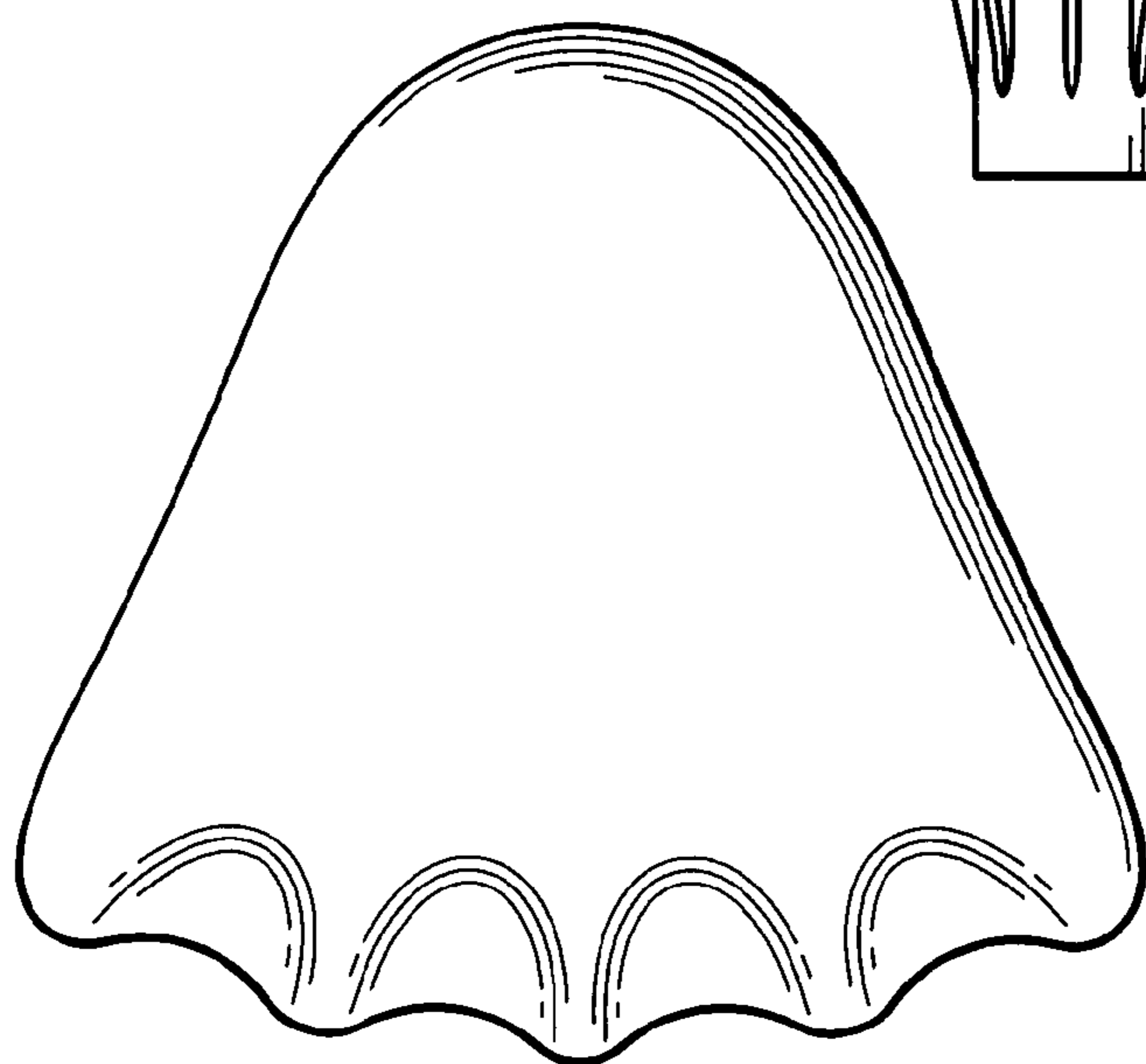


FIG. 5

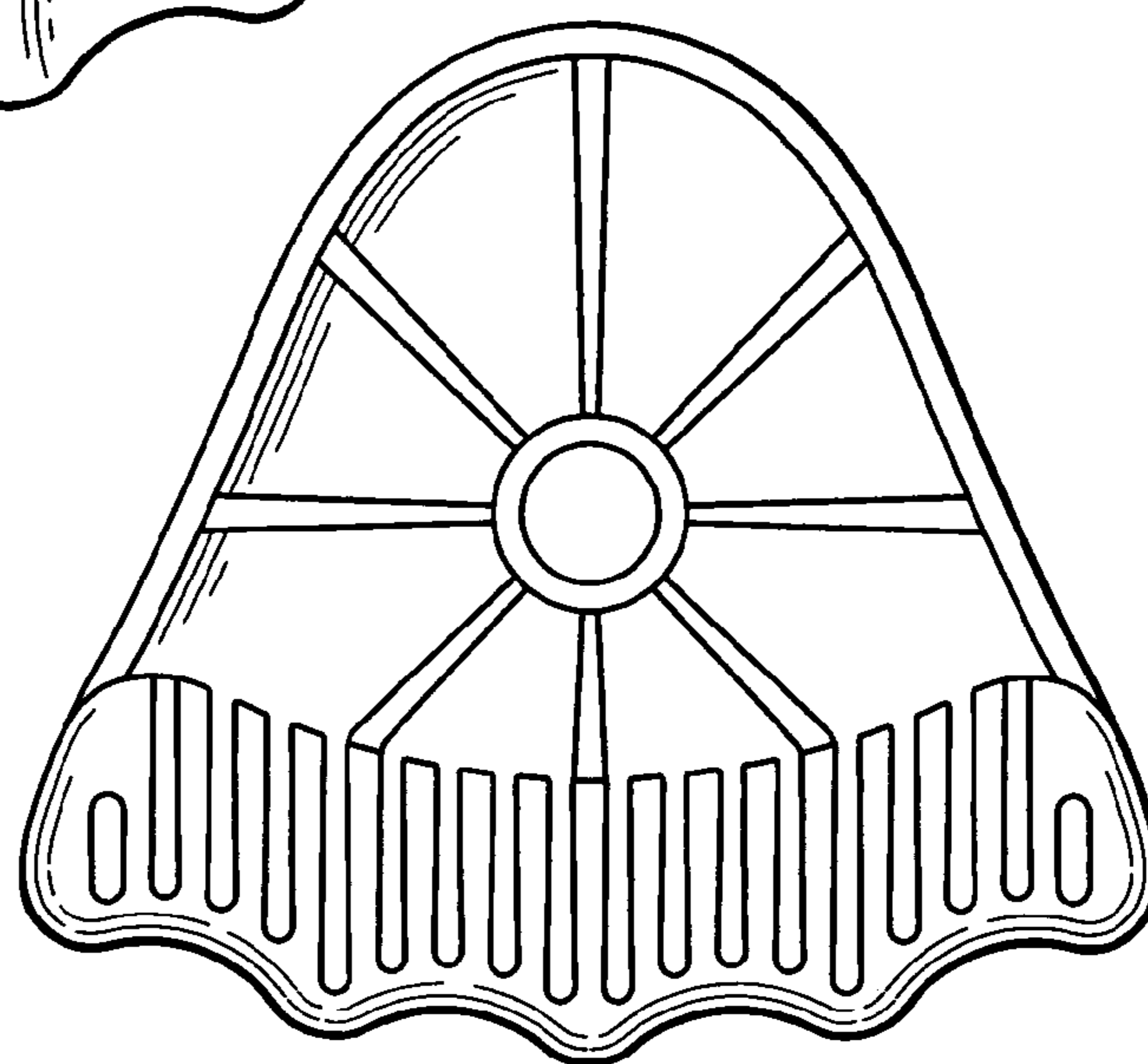


FIG. 6