



US00D584405S

(12) **United States Design Patent**  
**Stephens**

(10) **Patent No.:** **US D584,405 S**  
(45) **Date of Patent:** **\*\* Jan. 6, 2009**

(54) **CATHETER INFORMATION CLIP**  
(75) Inventor: **John Stephens**, Perkiomenville, PA (US)  
(73) Assignee: **Medical Components, Inc.**,  
Harleysville, PA (US)

5,407,109 A 4/1995 Zuckerman  
D381,367 S 7/1997 Rashman  
5,950,883 A 9/1999 Bond et al.  
5,971,436 A 10/1999 Cox

(Continued)

(\*\*) Term: **14 Years**  
(21) Appl. No.: **29/294,395**  
(22) Filed: **Jan. 9, 2008**

FOREIGN PATENT DOCUMENTS

GB 2042131 9/1980

**Related U.S. Application Data**

(62) Division of application No. 29/269,424, filed on Nov. 30, 2006, now Pat. No. Des. 565,730.

*Primary Examiner*—Louis S Zarfaz  
*Assistant Examiner*—Eric L Goodman  
(74) *Attorney, Agent, or Firm*—Anton P. Ness; Fox Rothschild LLP

(51) **LOC (9) Cl.** ..... **24-02**  
(52) **U.S. Cl.** ..... **D24/128**  
(58) **Field of Classification Search** ..... D24/127,  
D24/128, 129, 133, 143; D8/394–396; D20/22;  
40/299.01, 300, 306, 309, 316, 321, 334,  
40/633, 666

(57) **CLAIM**

The ornamental design for a catheter information clip, as shown and described.

See application file for complete search history.

**DESCRIPTION**

(56) **References Cited**

U.S. PATENT DOCUMENTS

D31,083 S 6/1899 Seng  
1,580,649 A 4/1926 Christiansen  
2,094,796 A 10/1937 Kahn  
3,068,600 A 12/1962 Blanchet  
4,256,132 A 3/1981 Gunter  
4,378,648 A 4/1983 Loof et al.  
4,429,852 A 2/1984 Tersteegen et al.  
D273,993 S 5/1984 Schulte et al.  
4,497,124 A 2/1985 Olive  
4,775,121 A 10/1988 Carty  
4,876,810 A 10/1989 Piana et al.  
5,035,399 A 7/1991 Rantanen-Lee  
5,138,784 A 8/1992 Niwa  
5,203,056 A 4/1993 Funk et al.  
5,275,282 A 1/1994 Ross et al.  
5,281,228 A 1/1994 Wolfson  
5,309,604 A 5/1994 Poulsen  
5,316,246 A 5/1994 Scott et al.

FIG. 1 is an isometric view of a catheter information clip according to the present invention; a catheter and catheter clamp are shown in broken line for illustrative purposes only and form no part of the claimed design.

FIG. 2 is an isometric view of the catheter information clip shown in FIG. 1, alone.

FIG. 3 is a left side view of the catheter information clip shown in FIG. 1.

FIG. 4 is a right side view of the catheter information clip shown in FIG. 1.

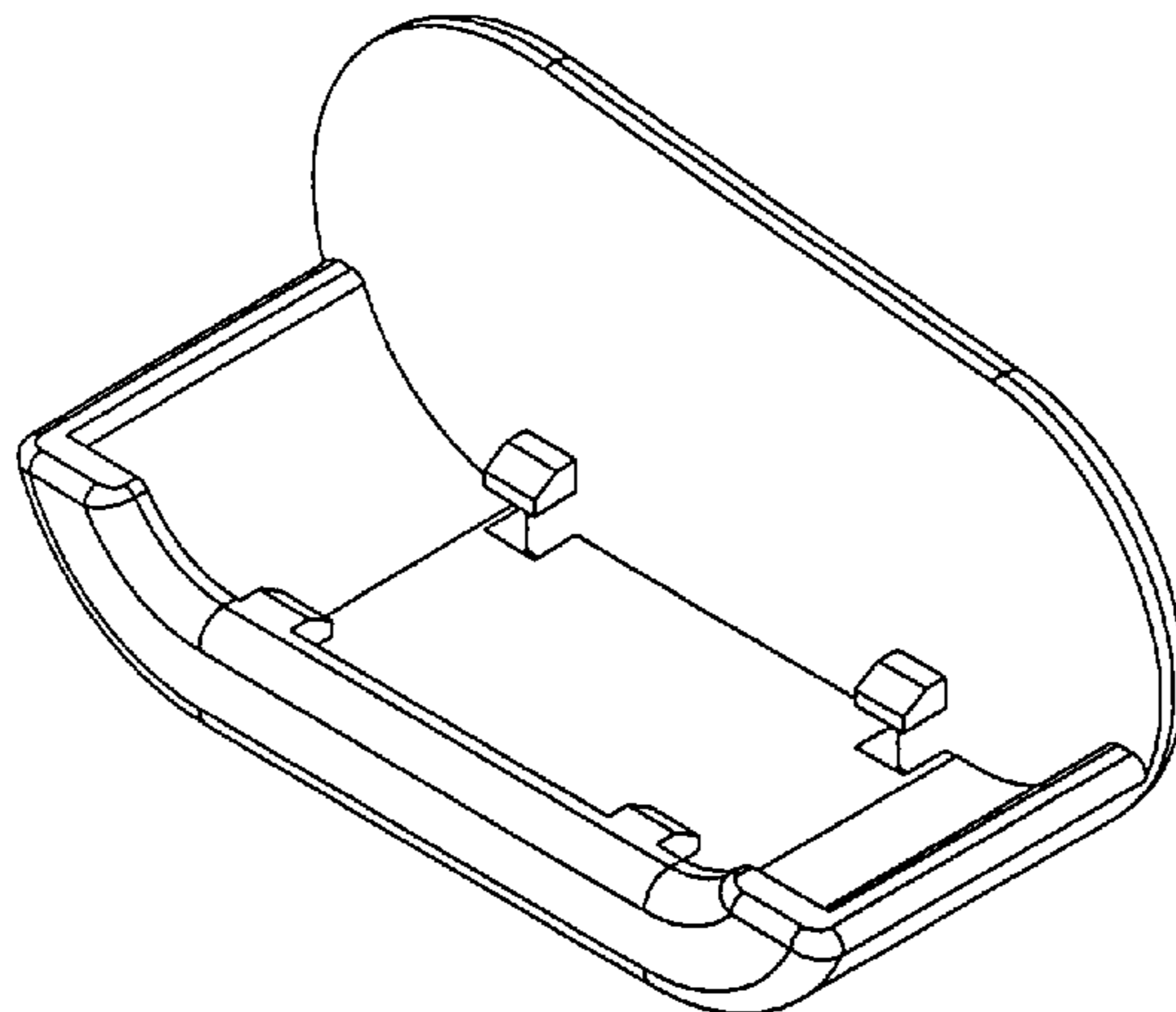
FIG. 5 is a top view of the catheter information clip shown in FIG. 1.

FIG. 6 is a bottom view of the catheter information clip shown in FIG. 1.

FIG. 7 is a proximal end view of the catheter information clip shown in FIG. 1; and,

FIG. 8 is a distal end view of the catheter information clip shown in FIG. 1.

**1 Claim, 2 Drawing Sheets**



# US D584,405 S

Page 2

## U.S. PATENT DOCUMENTS

5,974,708	A	11/1999	Webb et al.				
6,079,135	A	6/2000	Ruiz				
6,089,527	A	7/2000	Utterberg				
6,240,668	B1	6/2001	Clawson et al.				
6,464,691	B1	10/2002	Castaneda et al.				
6,491,664	B2	12/2002	Bierman				
D477,776	S	7/2003	Pontaoe				
6,651,362	B2	11/2003	Caveney				
D489,452	S	5/2004	Schweikert				
D491,265	S	6/2004	Schweikert				
D498,299	S	11/2004	Schweikert				
6,823,617	B2	11/2004	Schweikert				
6,929,625	B2	8/2005	Bierman				
D559,672	S *	1/2008	Alexander .....	D8/395			
							* cited by examiner
				D562,449	S *	2/2008	Schweikert ..... D24/128
				7,331,130	B2 *	2/2008	Schweikert ..... 40/299.01
				D565,729	S *	4/2008	Stephens ..... D24/128
				D565,730	S *	4/2008	Stephens ..... D24/128
				D567,372	S *	4/2008	Chesnin ..... D24/128
				D568,991	S *	5/2008	Schweikert et al. .... D24/128
				D571,005	S *	6/2008	Chesnin ..... D24/128
				D571,463	S *	6/2008	Chesnin ..... D24/128
				D573,255	S *	7/2008	Stephens ..... D24/128
				2003/0093932	A1	5/2003	Battaglia, Jr.
				2004/0068902	A1	4/2004	Hadzic et al.
				2004/0159024	A1	8/2004	Wortley et al.
				2005/0044759	A1	3/2005	Schweikert
				2006/0015072	A1	1/2006	Raulerson

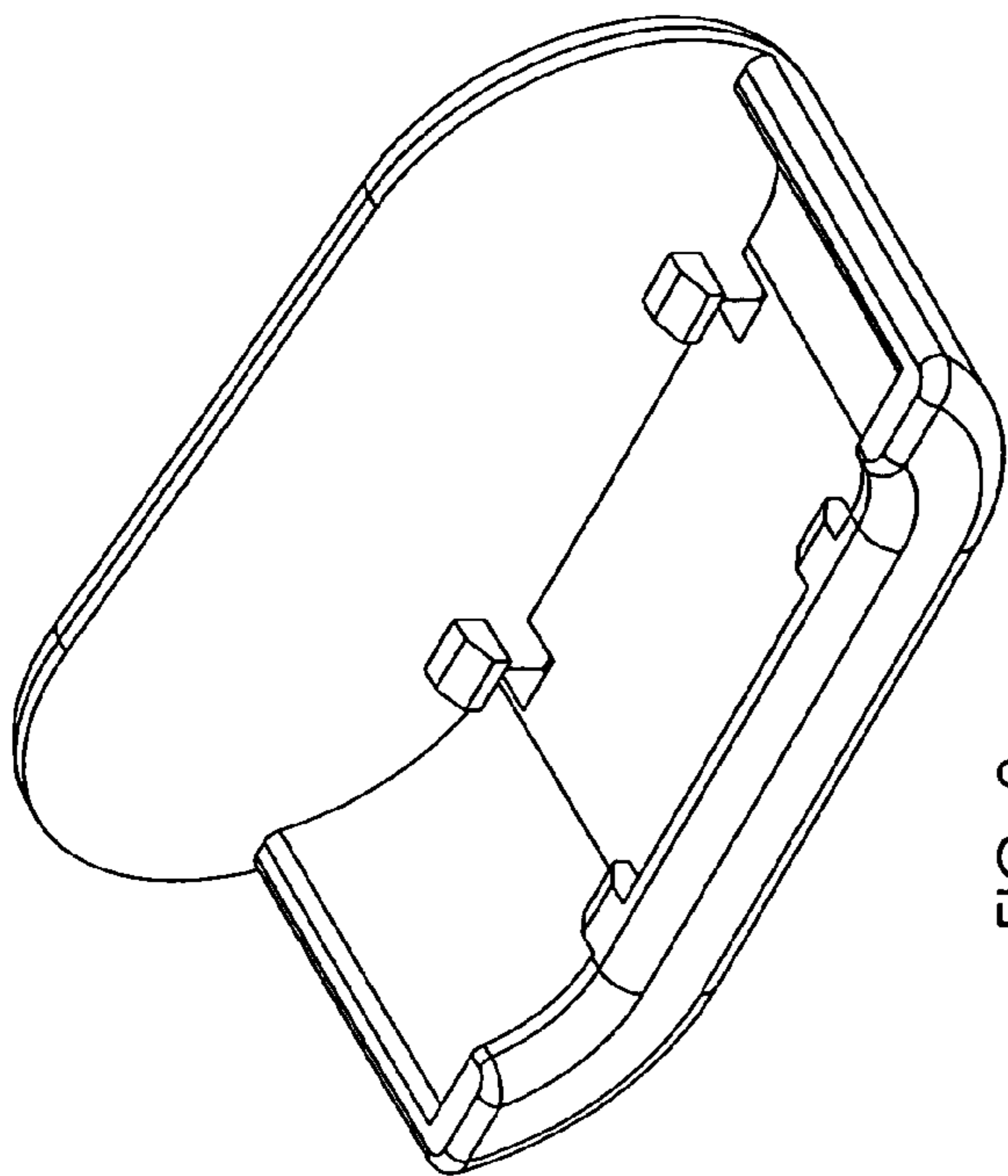


FIG. 2

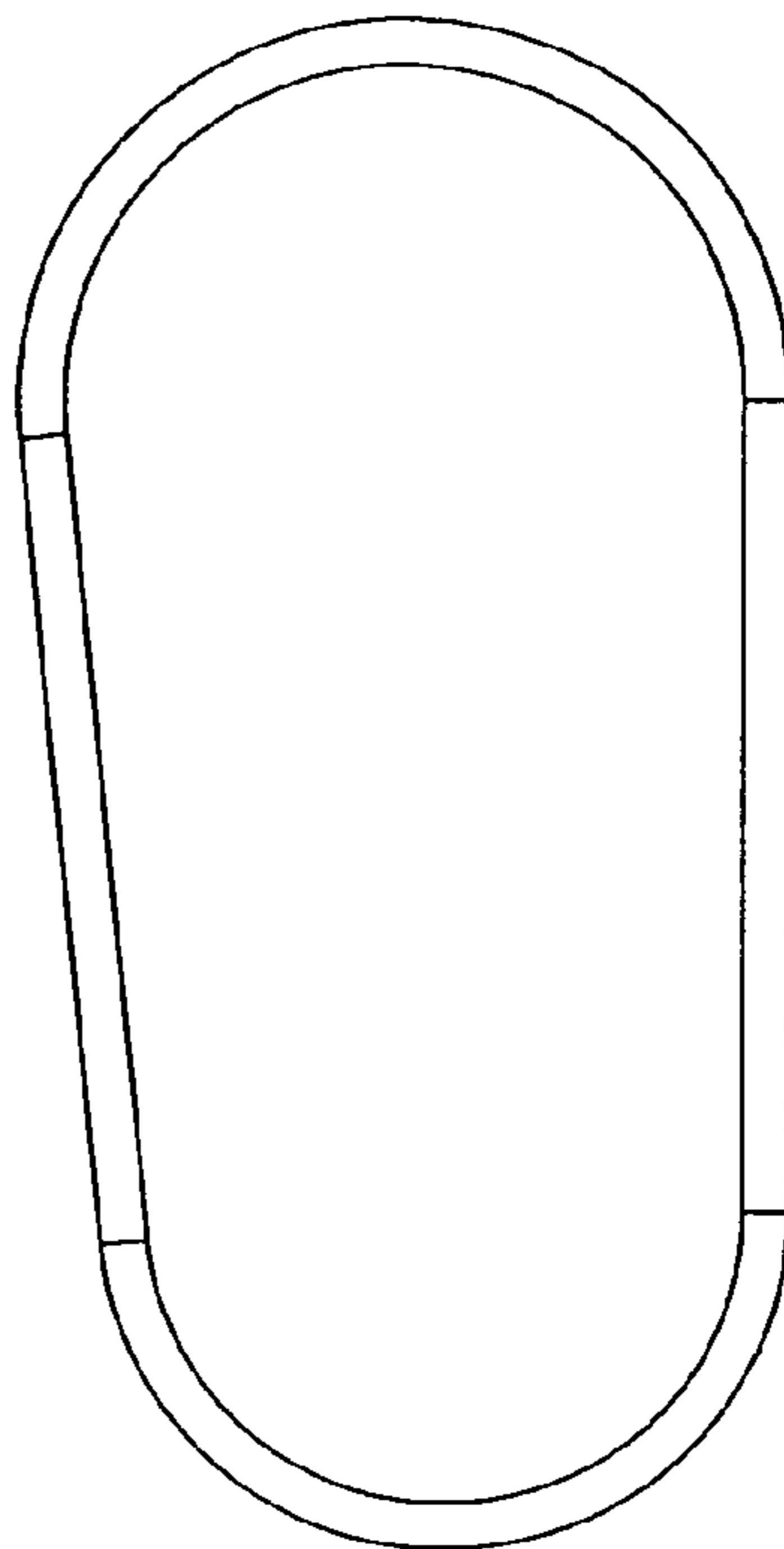


FIG. 4

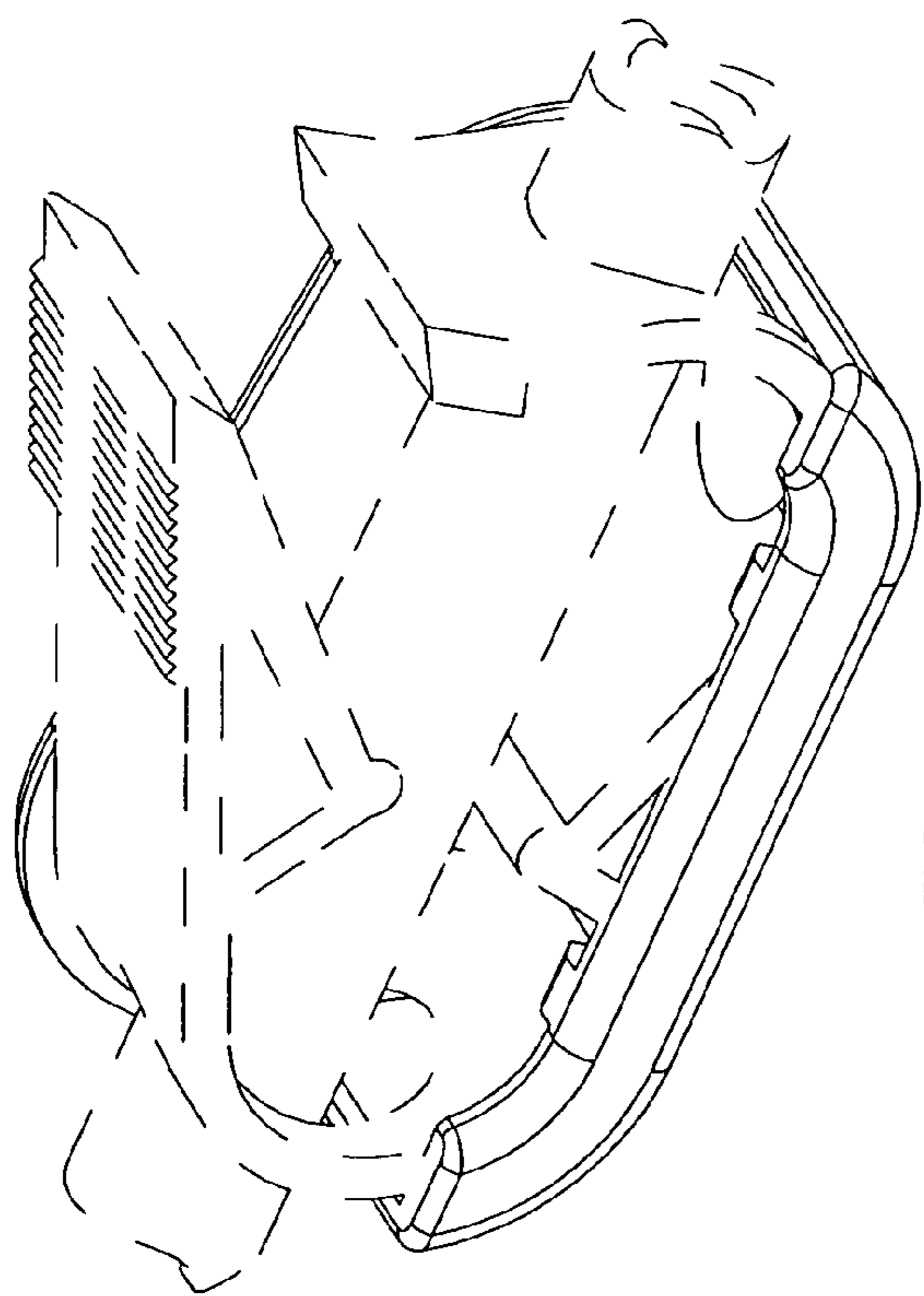


FIG. 1

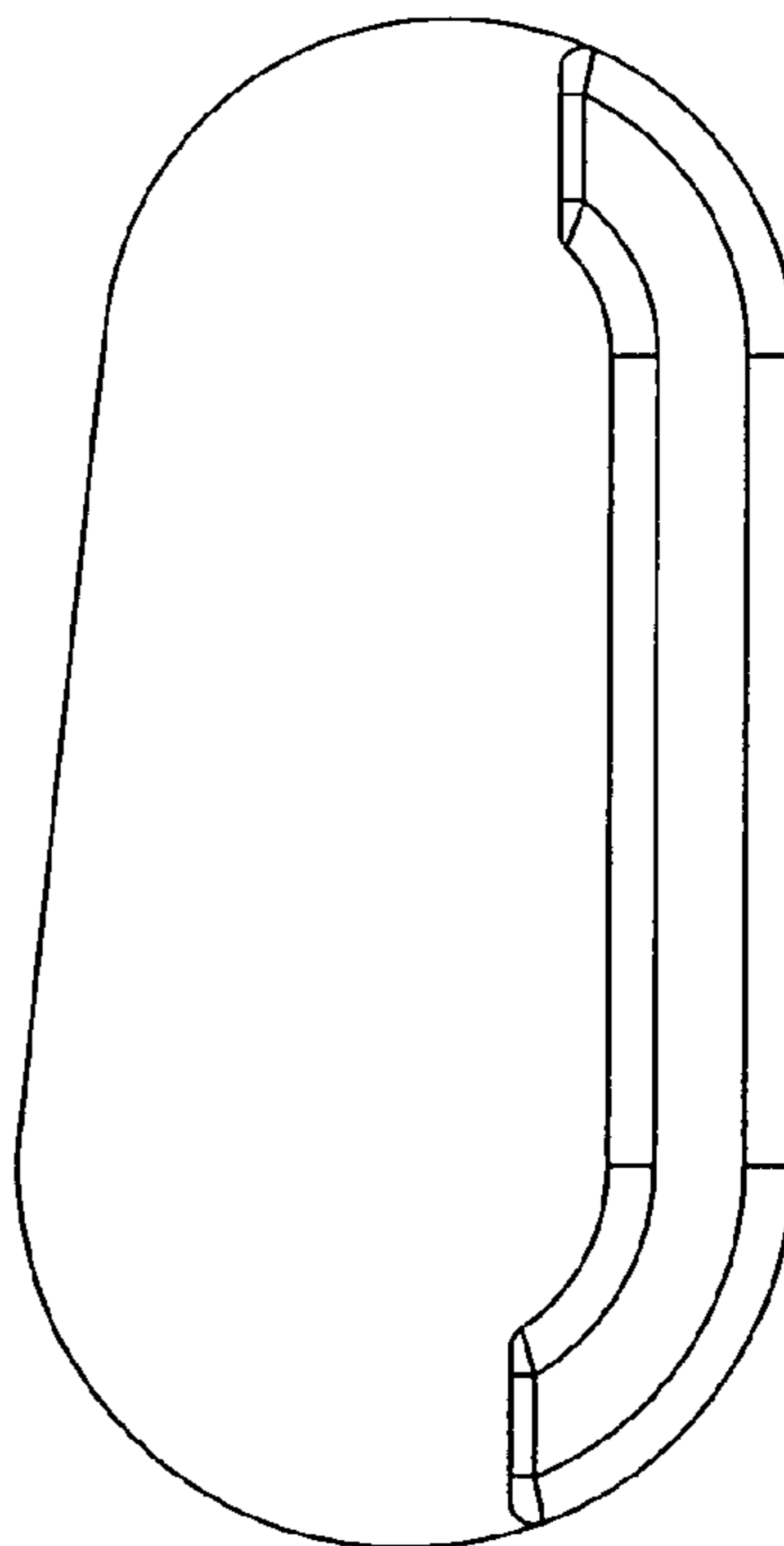


FIG. 3

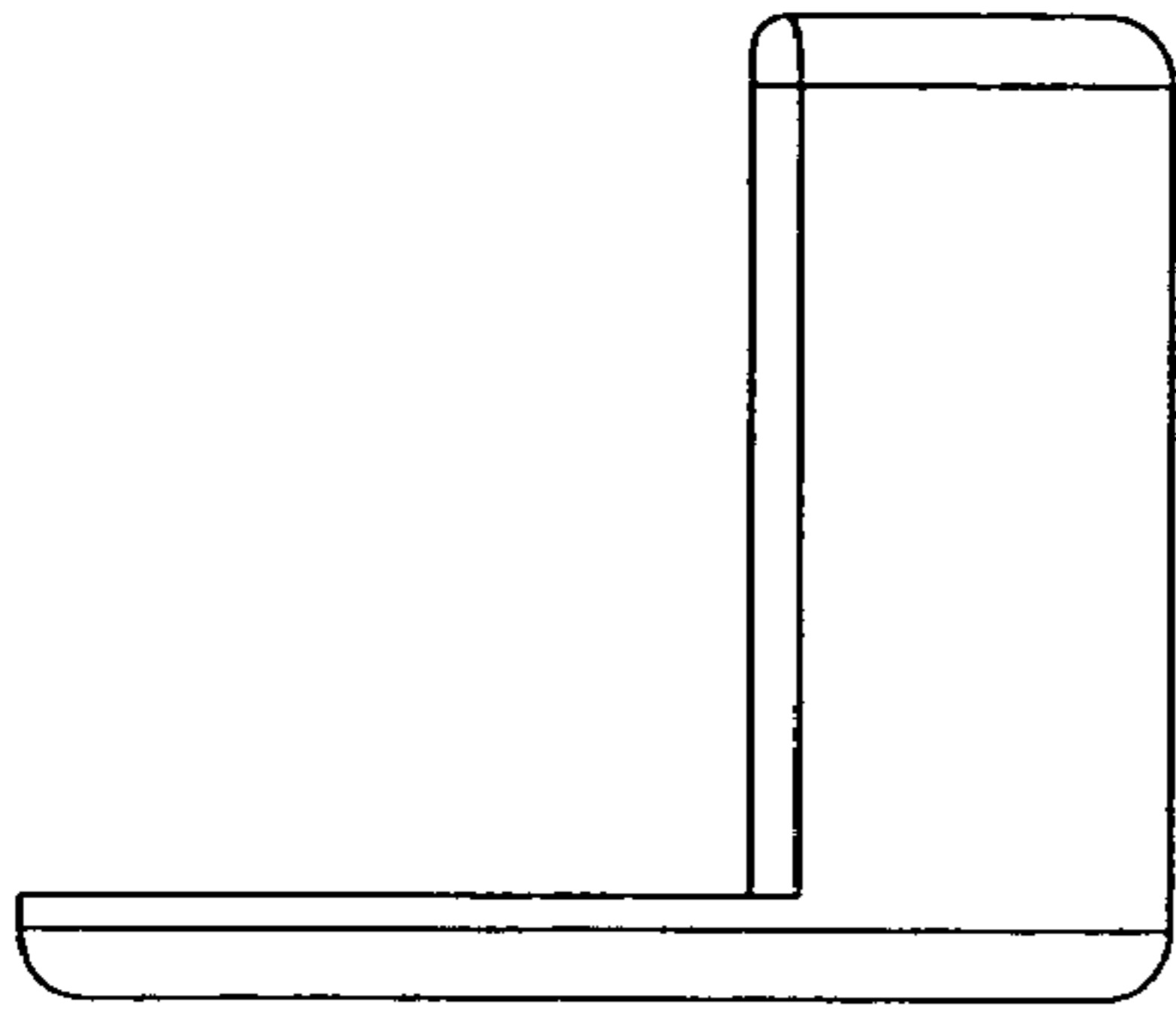


FIG. 7

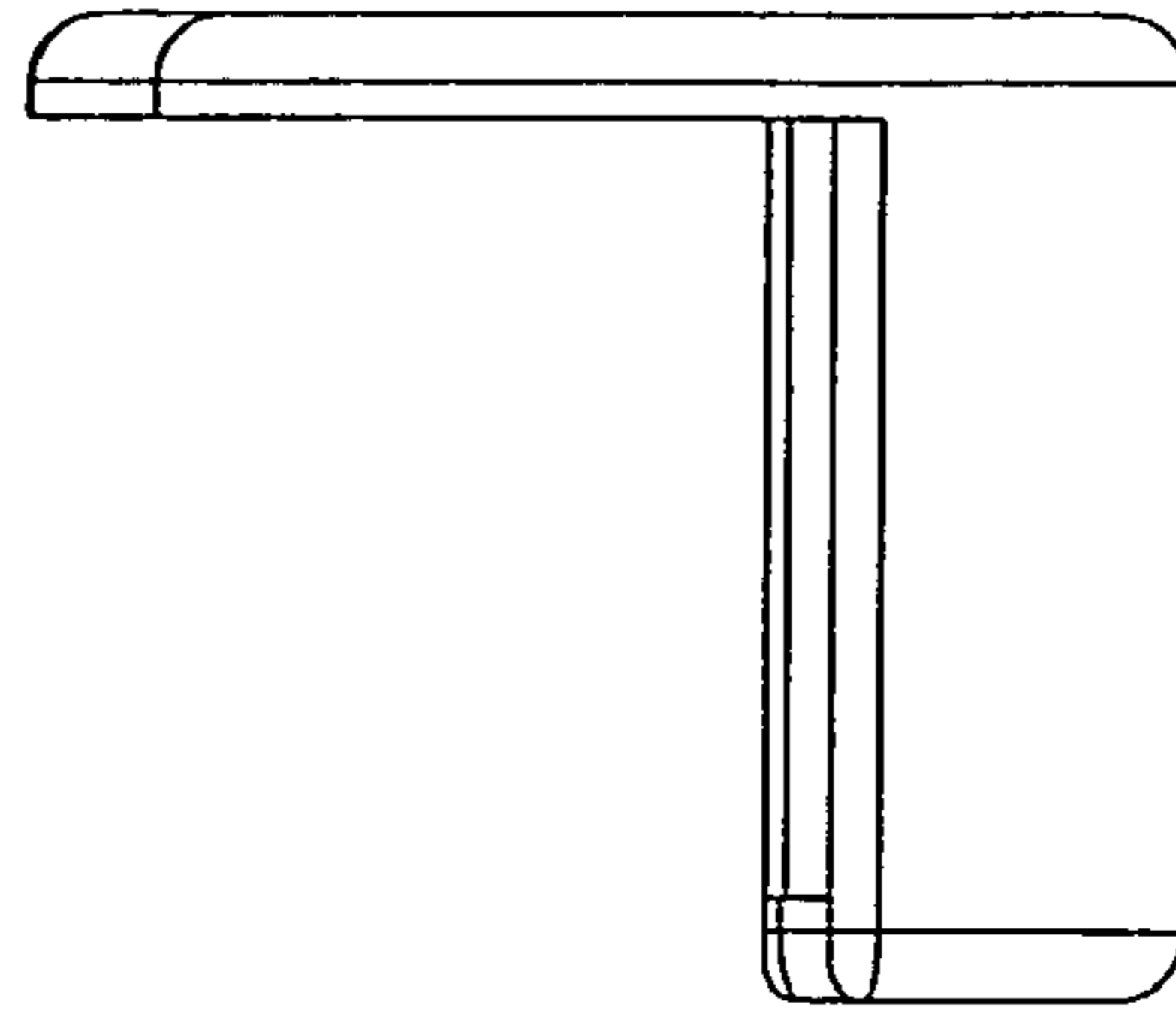


FIG. 8

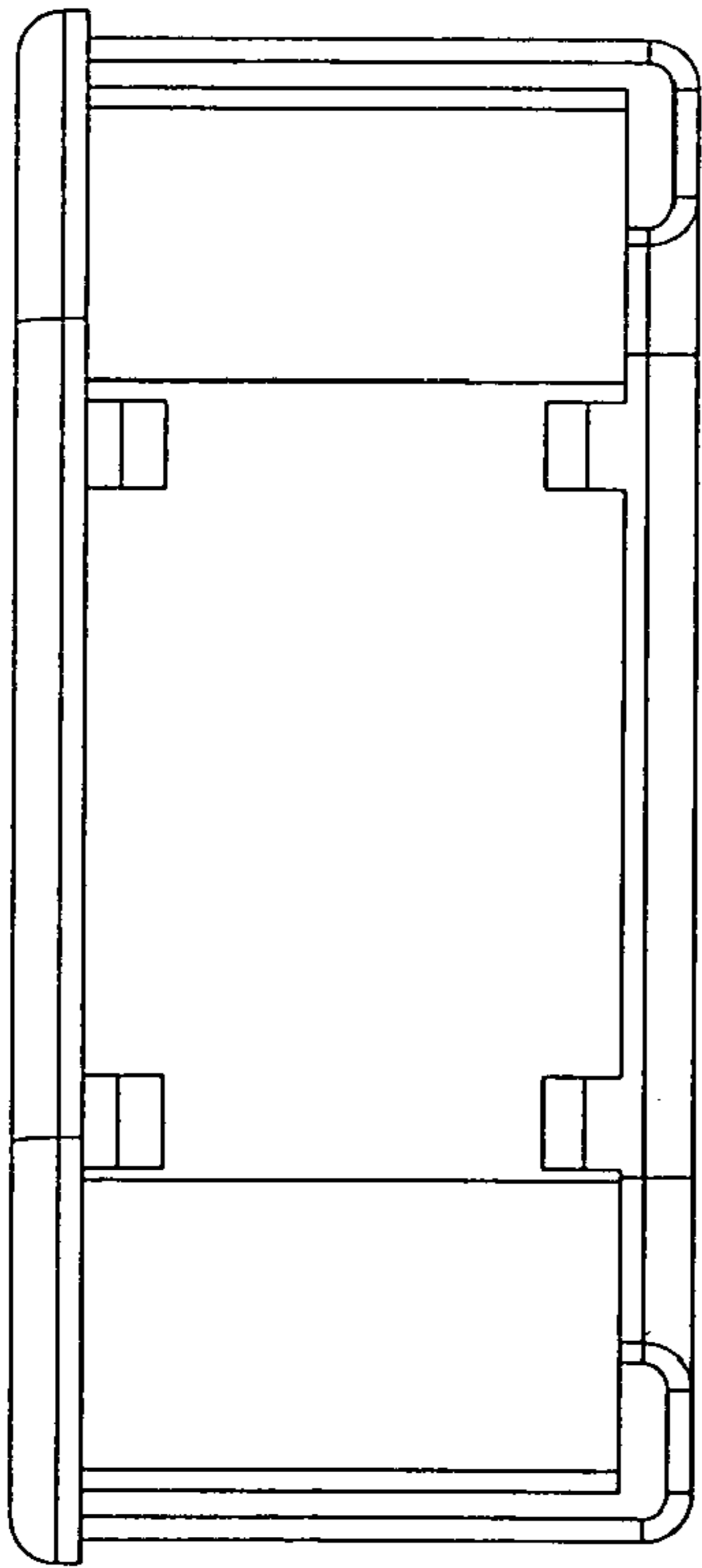


FIG. 5

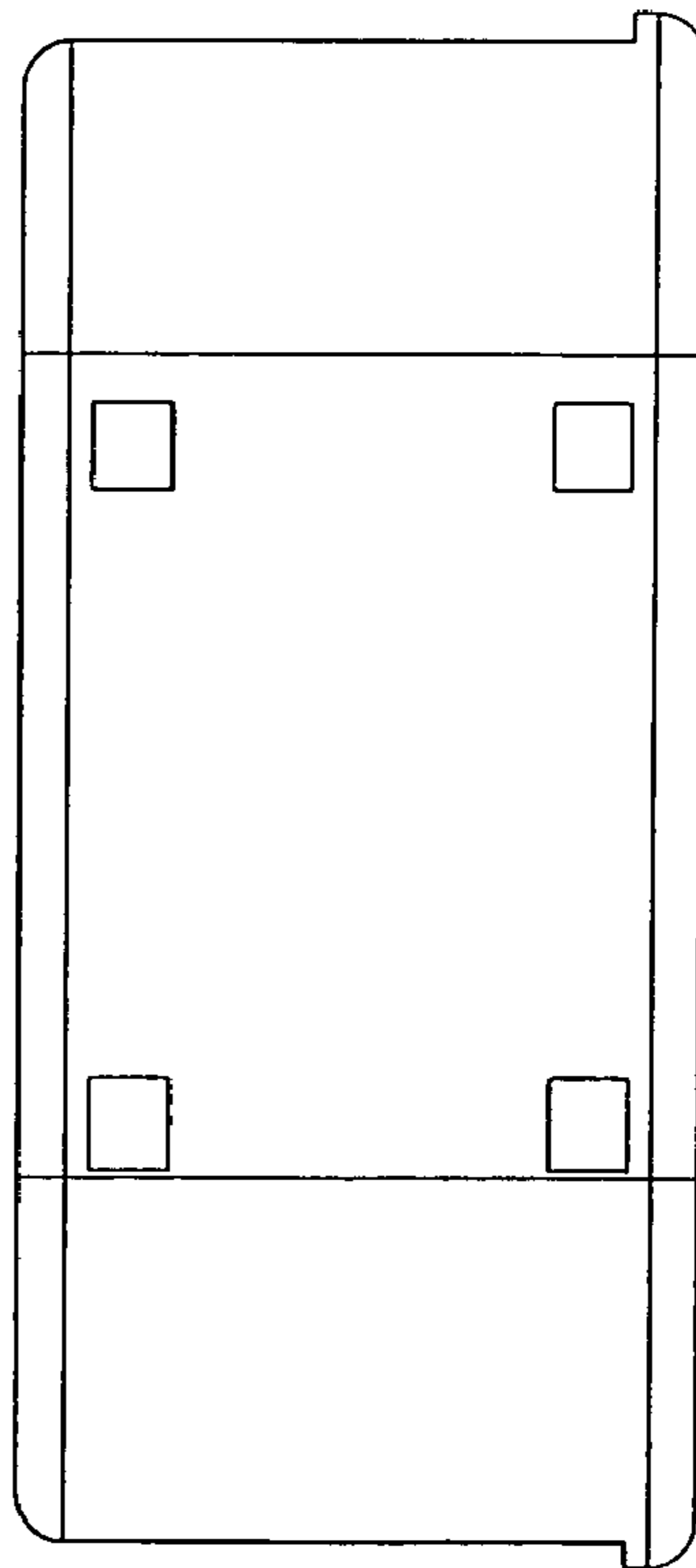


FIG. 6