



US00D584400S

(12) **United States Design Patent**  
**McAuley et al.**

(10) **Patent No.:** **US D584,400 S**  
(45) **Date of Patent:** **\*\* Jan. 6, 2009**

(54) **FACE MASK**

(75) Inventors: **Alastair Edwin McAuley**, Auckland (NZ); **Christopher Earl Nightingale**, Auckland (NZ); **Aidan Mark Shotbolt**, Highland Park (NZ)

(73) Assignee: **Fisher & Paykel Healthcare Limited**, Auckland (NZ)

(\*\*) Term: **14 Years**

(21) Appl. No.: **29/210,289**

(22) Filed: **Jul. 29, 2004**

(51) **LOC (9) Cl.** ..... **29-02**

(52) **U.S. Cl.** ..... **D24/110.1; D24/110.4**

(58) **Field of Classification Search** ..... D24/110.1, D24/110.4, 110.5; 128/207.13, 206.28, 206.12, 128/205.25, 206.21

See application file for complete search history.

(56) **References Cited**

**U.S. PATENT DOCUMENTS**

D303,587 S	9/1989	Quinn et al.	
D305,166 S	12/1989	Quinn et al.	
D323,908 S	2/1992	Hollister et al.	
D349,586 S	8/1994	Handke	
D397,215 S	8/1998	Hoftman	
D476,732 S *	7/2003	Smart	D24/110.4

D492,992 S *	7/2004	Guney et al.	.....	D24/110.1
D493,885 S *	8/2004	Raje et al.	.....	D24/110.1
D506,827 S *	6/2005	Jones et al.	.....	D24/110.1
D507,831 S *	7/2005	Rosenkranz et al.	....	D24/110.1
6,926,004 B2 *	8/2005	Schumacher	.....	128/206.27
2003/0034034 A1 *	2/2003	Kwok et al.	.....	128/206.21

\* cited by examiner

*Primary Examiner*—Ian Simmons

*Assistant Examiner*—Christopher Lee

(74) *Attorney, Agent, or Firm*—Trexler, Bushnell, Giangiorgi, Blackstone & Marr, Ltd.

(57) **CLAIM**

The ornamental design for a face mask, as shown and described.

**DESCRIPTION**

FIG. 1 is a perspective view of the face mask in accordance with our design;

FIG. 2 is a front elevational view of the face mask;

FIG. 3 is a left side elevational view of the face mask;

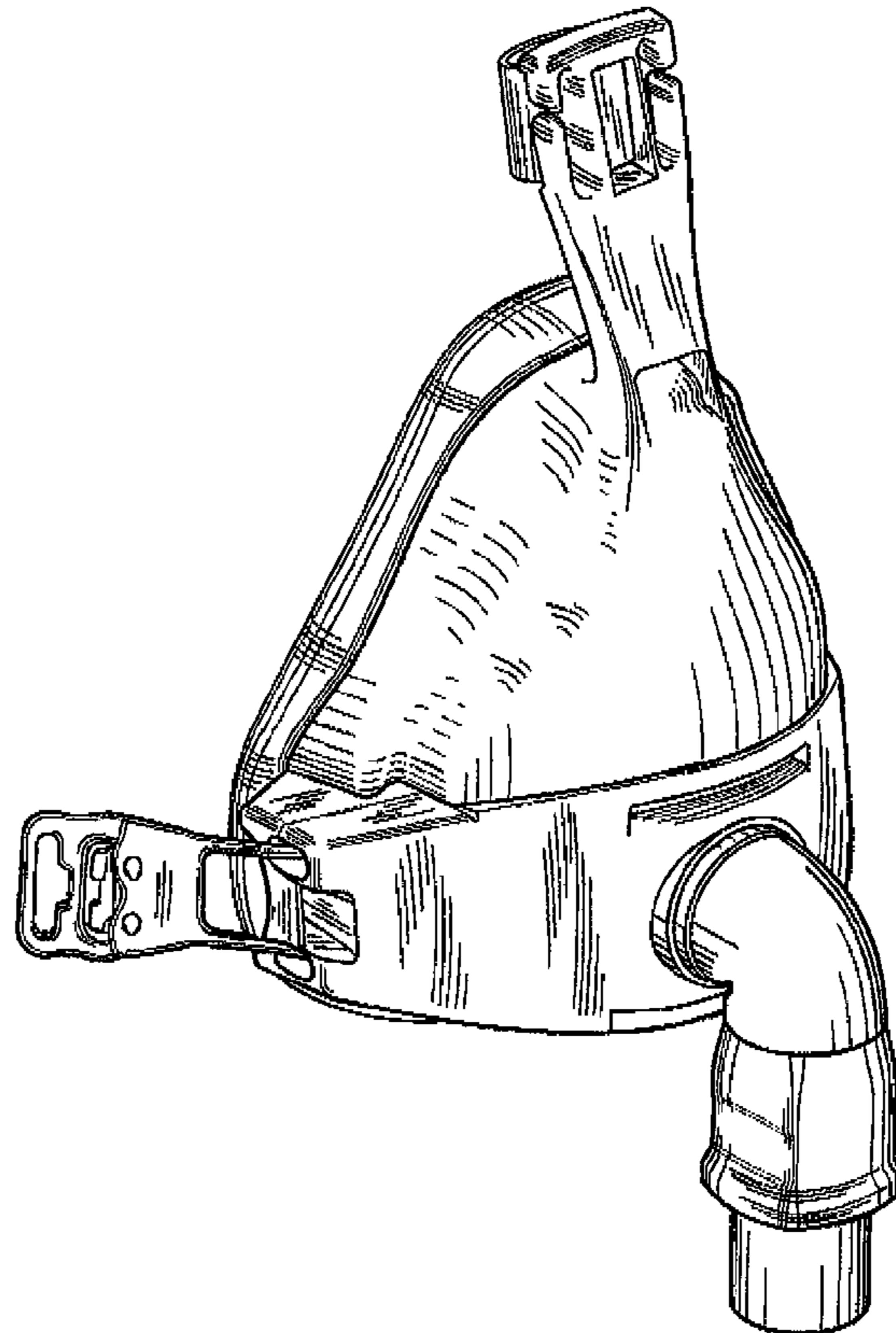
FIG. 4 is a right side elevational view of the face mask;

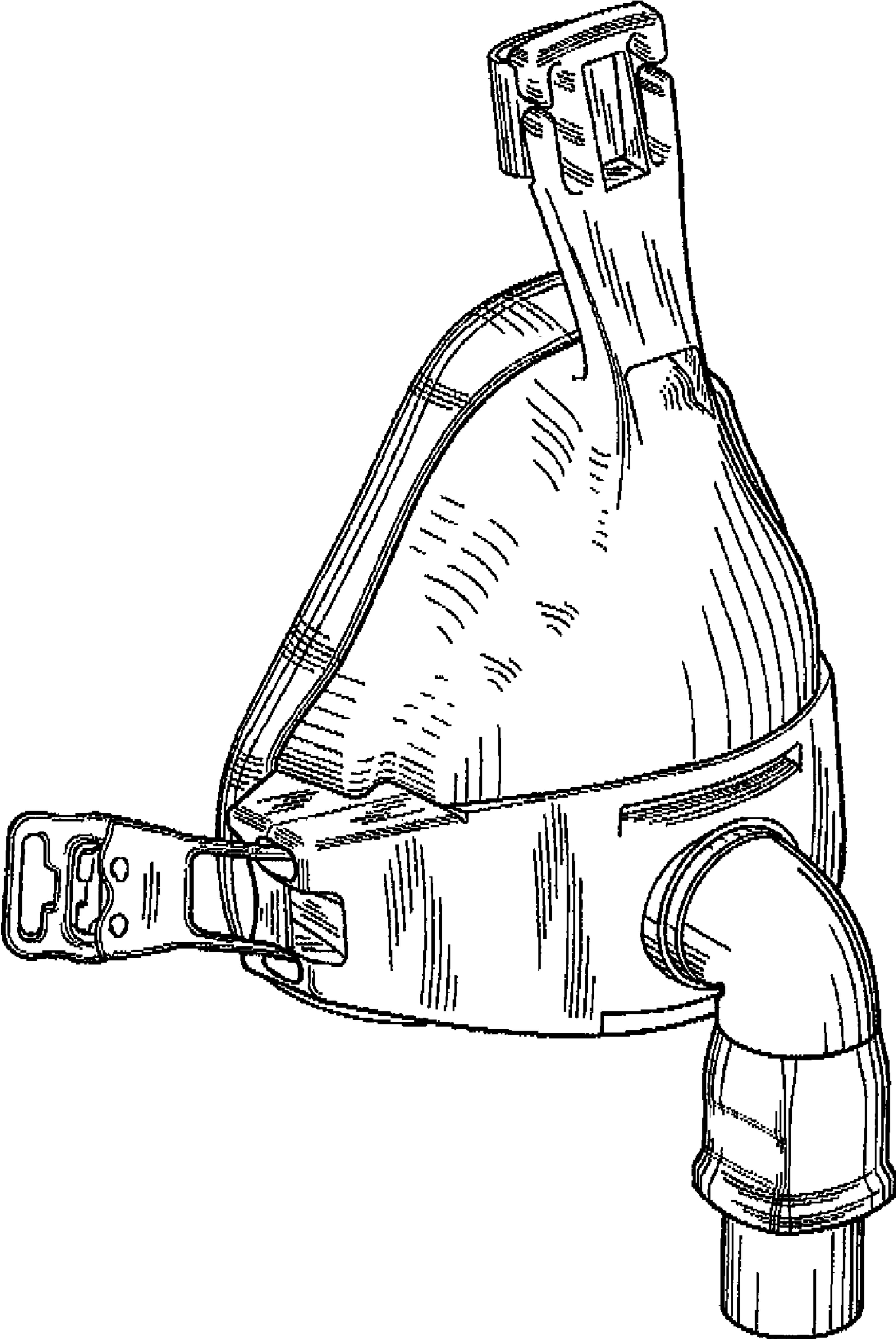
FIG. 5 is a top plan view of the face mask;

FIG. 6 is a bottom plan view of the face mask; and,

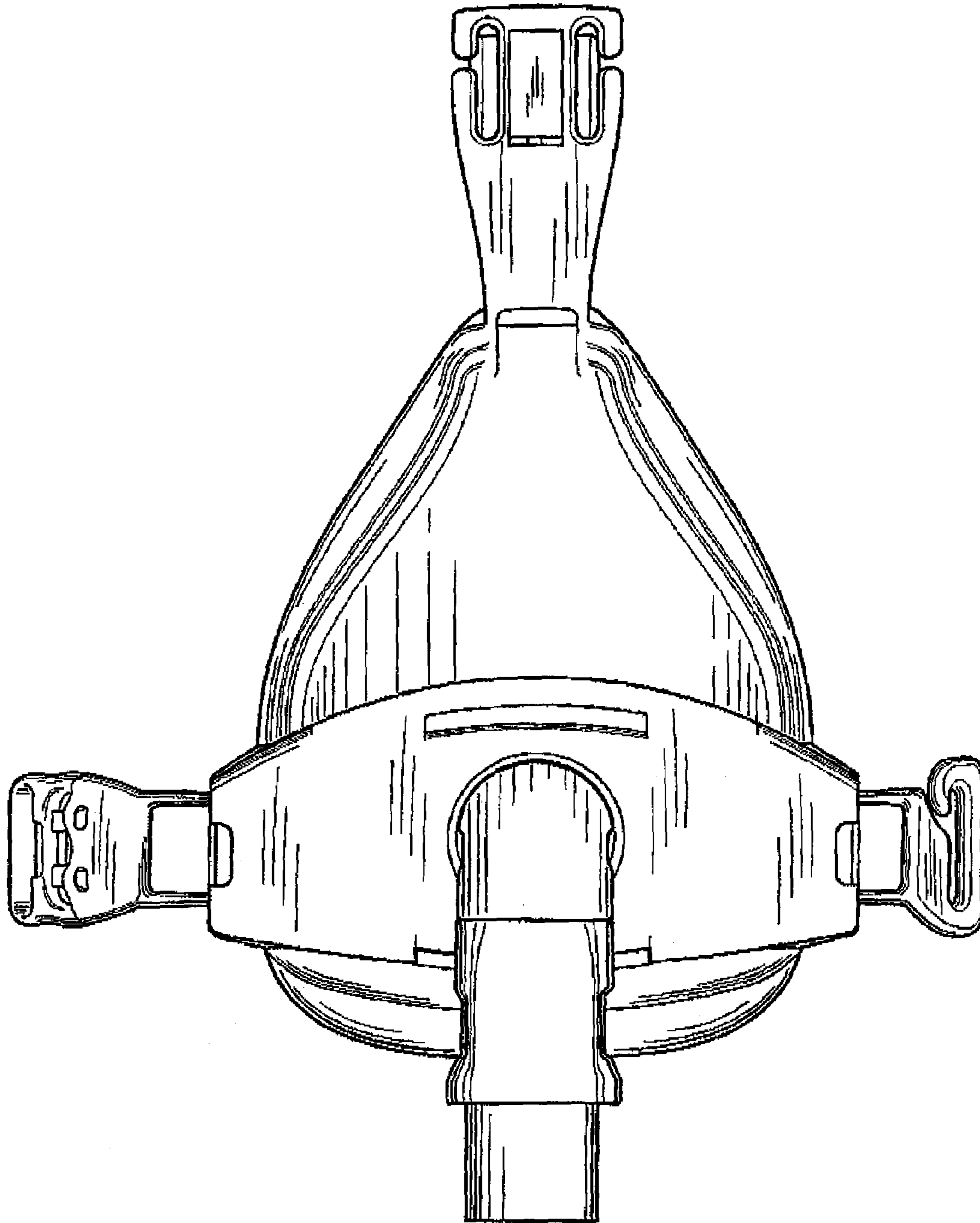
FIG. 7 is a rear elevational view of the face mask.

**1 Claim, 7 Drawing Sheets**

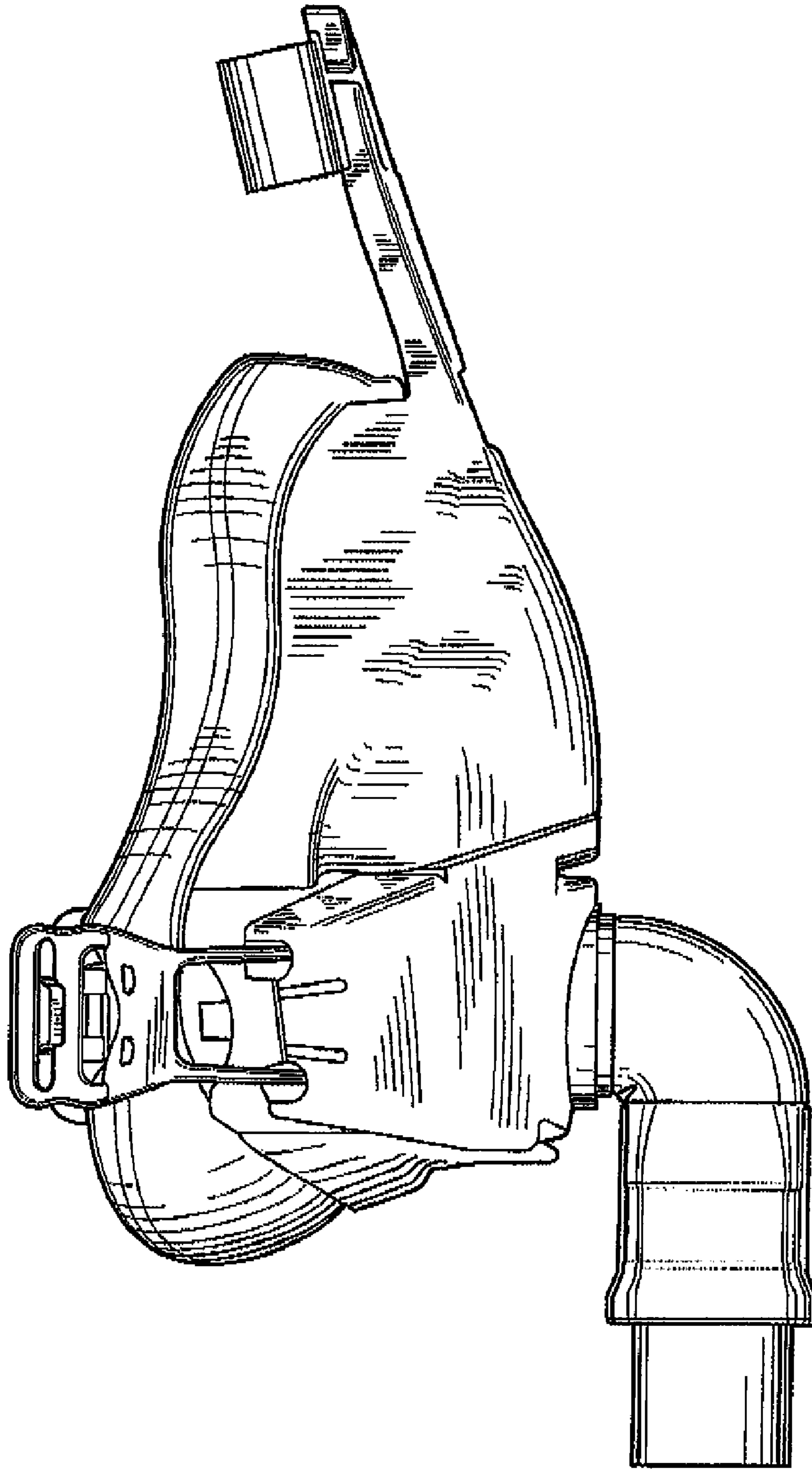




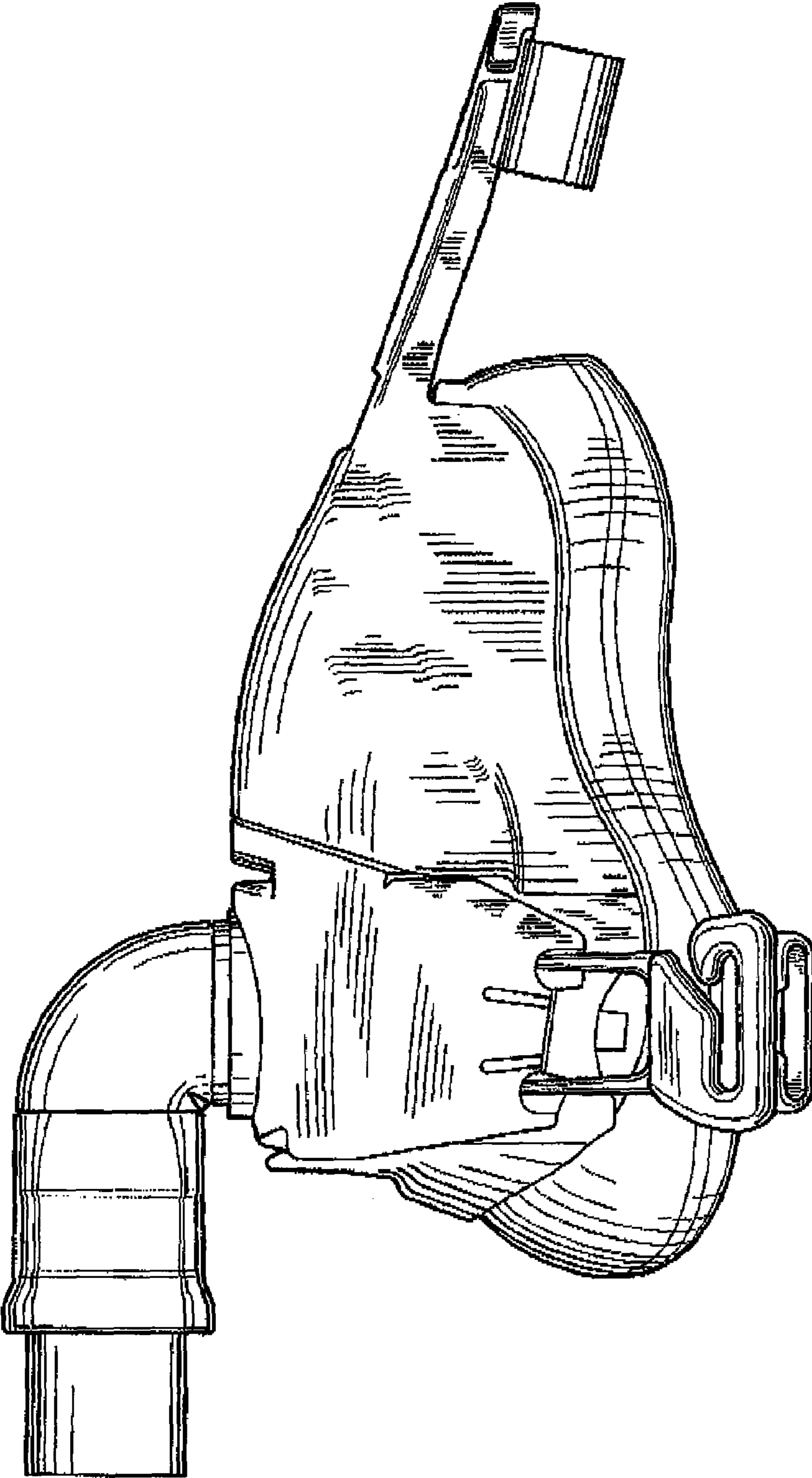
**FIGURE 1**



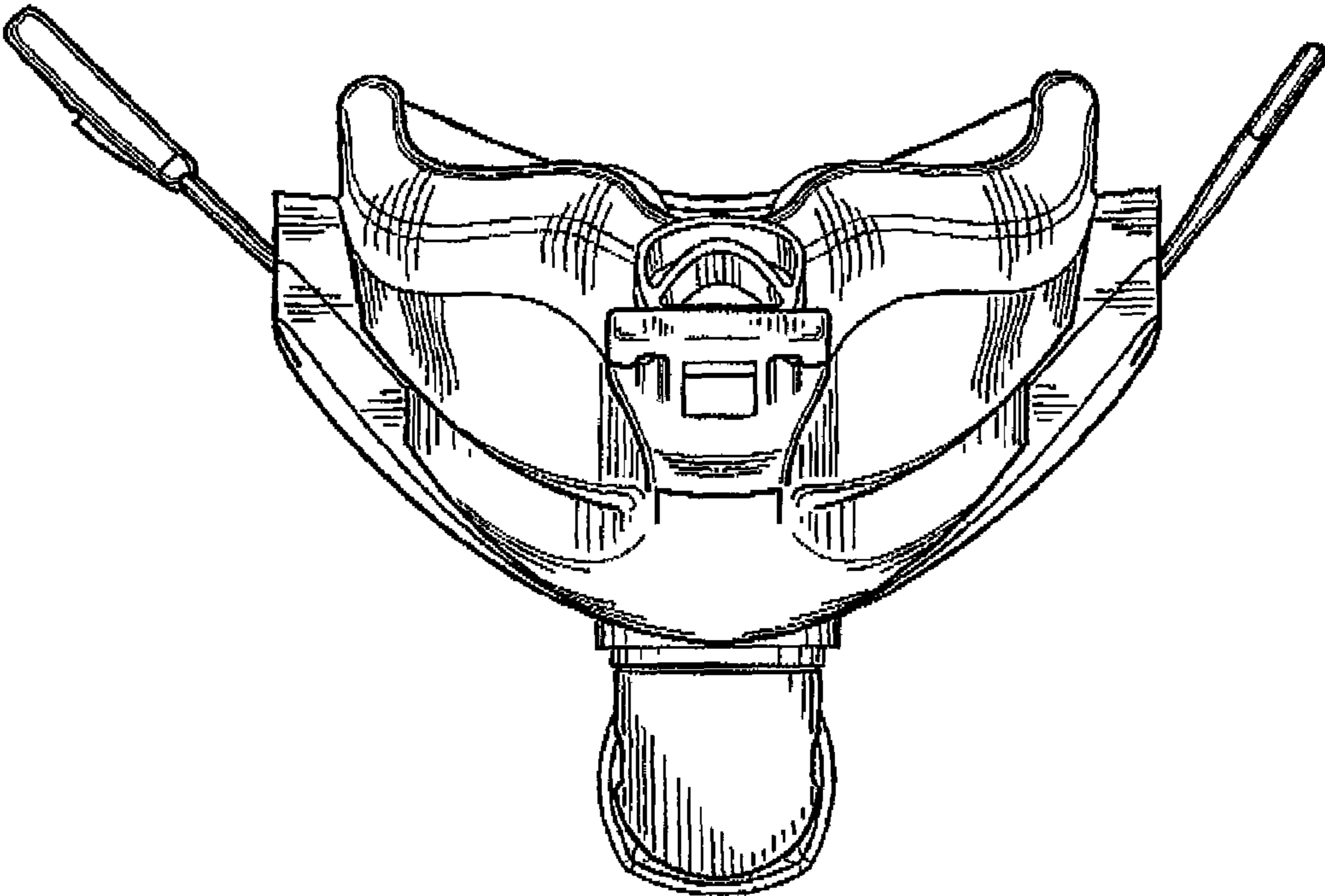
**FIGURE 2**



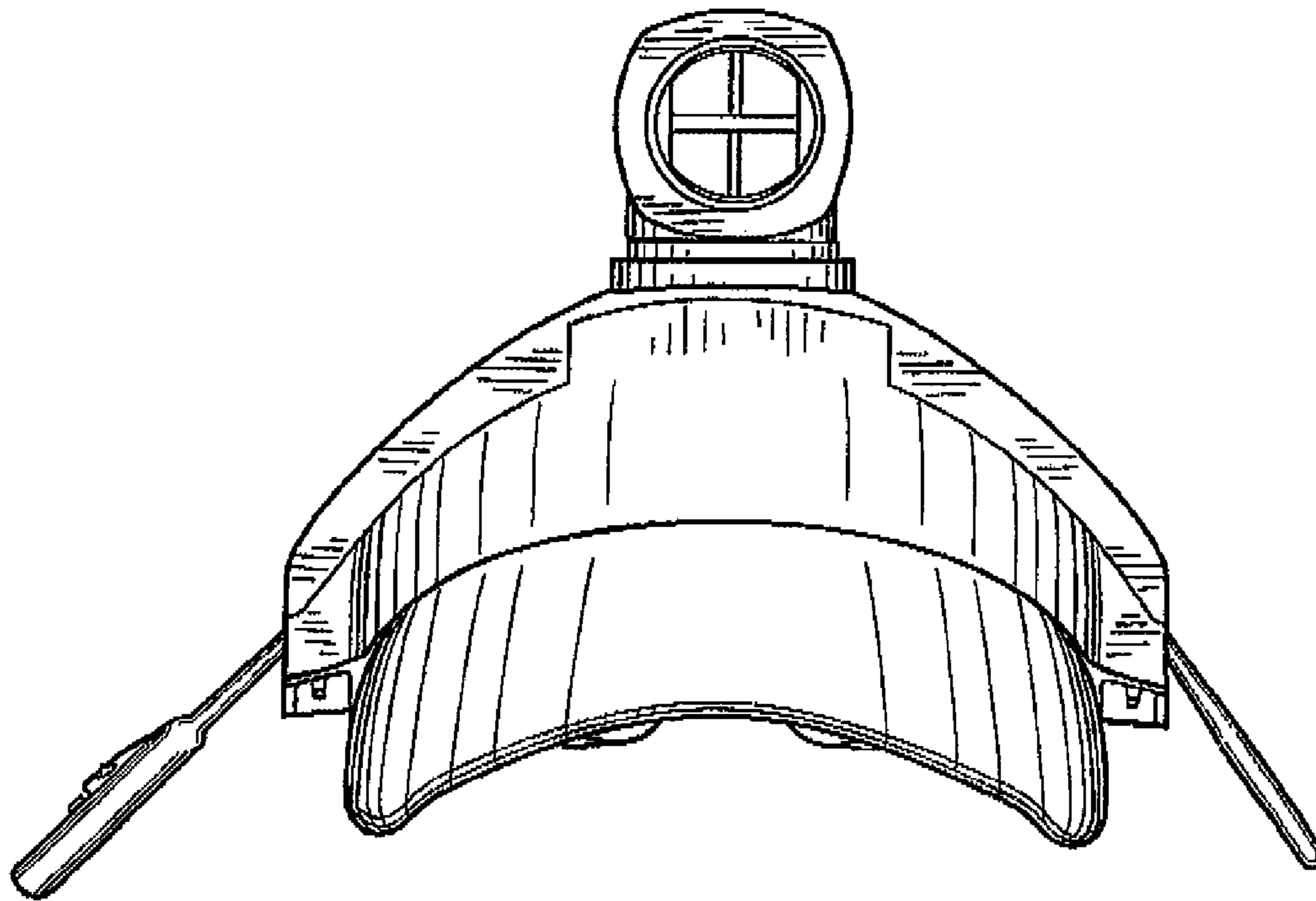
**FIGURE 3**



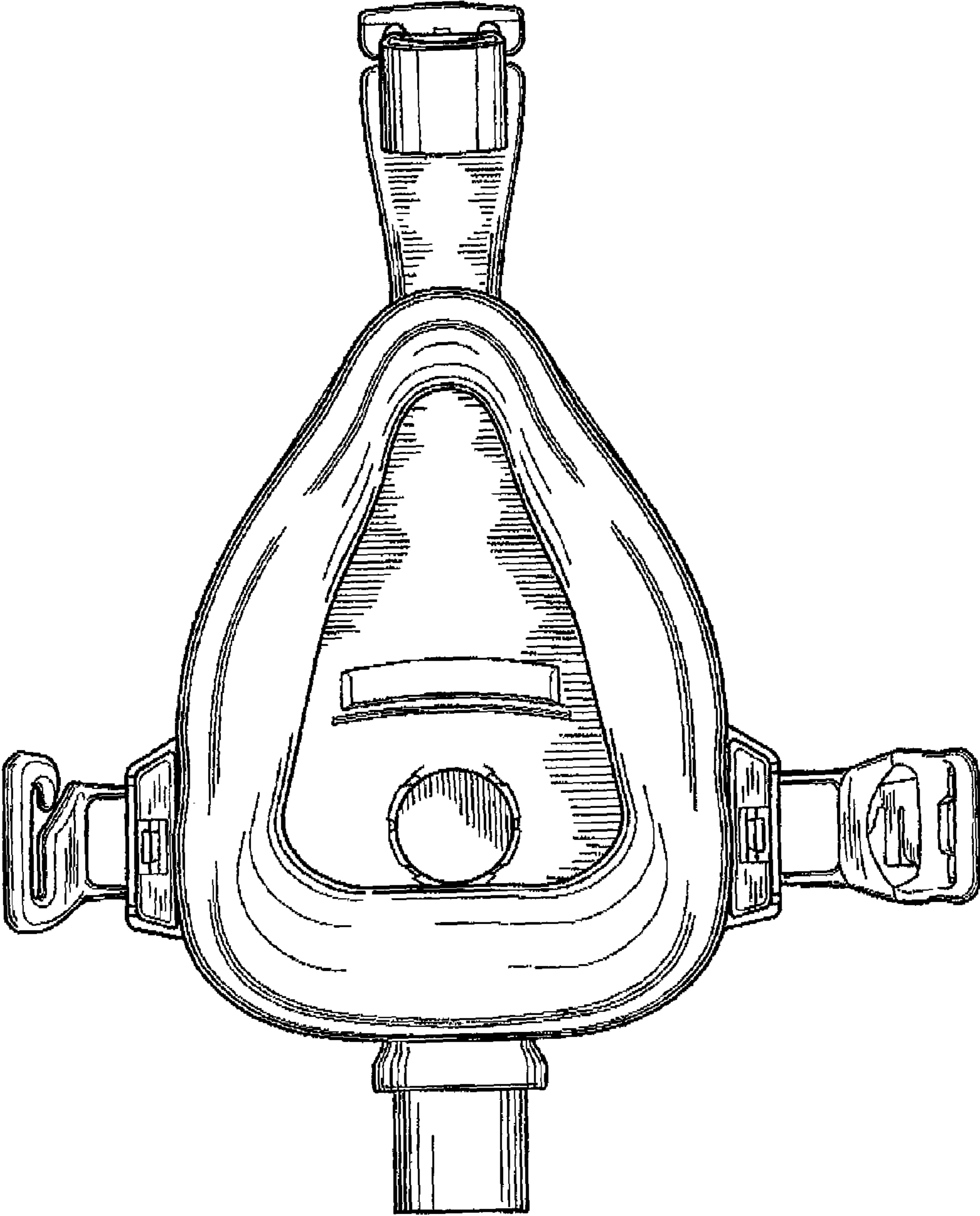
**FIGURE 4**



**FIGURE 5**



**FIGURE 6**



**FIGURE 7**