



US00D584399S

(12) **United States Design Patent**  
**Pacini**

(10) **Patent No.:** **US D584,399 S**

(45) **Date of Patent:** **\*\* Jan. 6, 2009**

(54) **NIPPLE GUARD AND STRAP FOR A NURSING FEMALE**

(76) Inventor: **Larry W. Pacini**, #9 Amberleaf, Irvine, CA (US) 92614

(\*\*) Term: **14 Years**

(21) Appl. No.: **29/292,404**

(22) Filed: **Oct. 12, 2007**

(51) **LOC (9) Cl.** ..... **24-02**

(52) **U.S. Cl.** ..... **D24/109**

(58) **Field of Classification Search** ..... D24/109, D24/194, 196, 199; 604/74-77; 606/234, 606/235, 236; 215/11.1, 11.5; 450/37; 224/148.6  
See application file for complete search history.

(56) **References Cited**

**U.S. PATENT DOCUMENTS**

1,985	A *	2/1841	Winship	.....	215/11.5
78,881	A *	6/1868	Libbey	.....	215/11.1
296,609	A *	4/1884	Pattlee	.....	604/346
2,495,307	A *	1/1950	Abramson	.....	128/890
3,840,012	A *	10/1974	Rushton, Jr.	.....	604/346
D246,729	S *	12/1977	Murphy	.....	D24/109
D321,058	S *	10/1991	Dickinson	.....	D24/207
5,690,679	A *	11/1997	Prentiss	.....	606/236
D398,398	S *	9/1998	Taggerty	.....	D24/196
6,039,629	A *	3/2000	Mitchell	.....	450/57
6,338,665	B1 *	1/2002	Dawson et al.	.....	450/57
6,669,064	B2 *	12/2003	Perricone	.....	224/148.6

\* cited by examiner

*Primary Examiner*—Ian Simmons  
*Assistant Examiner*—Carissa C Fitts  
(74) *Attorney, Agent, or Firm*—Morland C. Fischer

(57) **CLAIM**

The ornamental design for nipple guard and strap for a nursing female, as shown and described.

**DESCRIPTION**

FIG. 1 is a perspective view showing a nipple guard and strap for a nursing female which forms my new design and being shown for illustrative purposes against the breast of a nursing female;

FIG. 2 is a perspective view showing the top, front and left side thereof;

FIG. 3 is a right side elevational view thereof;

FIG. 4 is a front elevational view thereof;

FIG. 5 is a rear elevational view thereof;

FIG. 6 is a top plan view thereof;

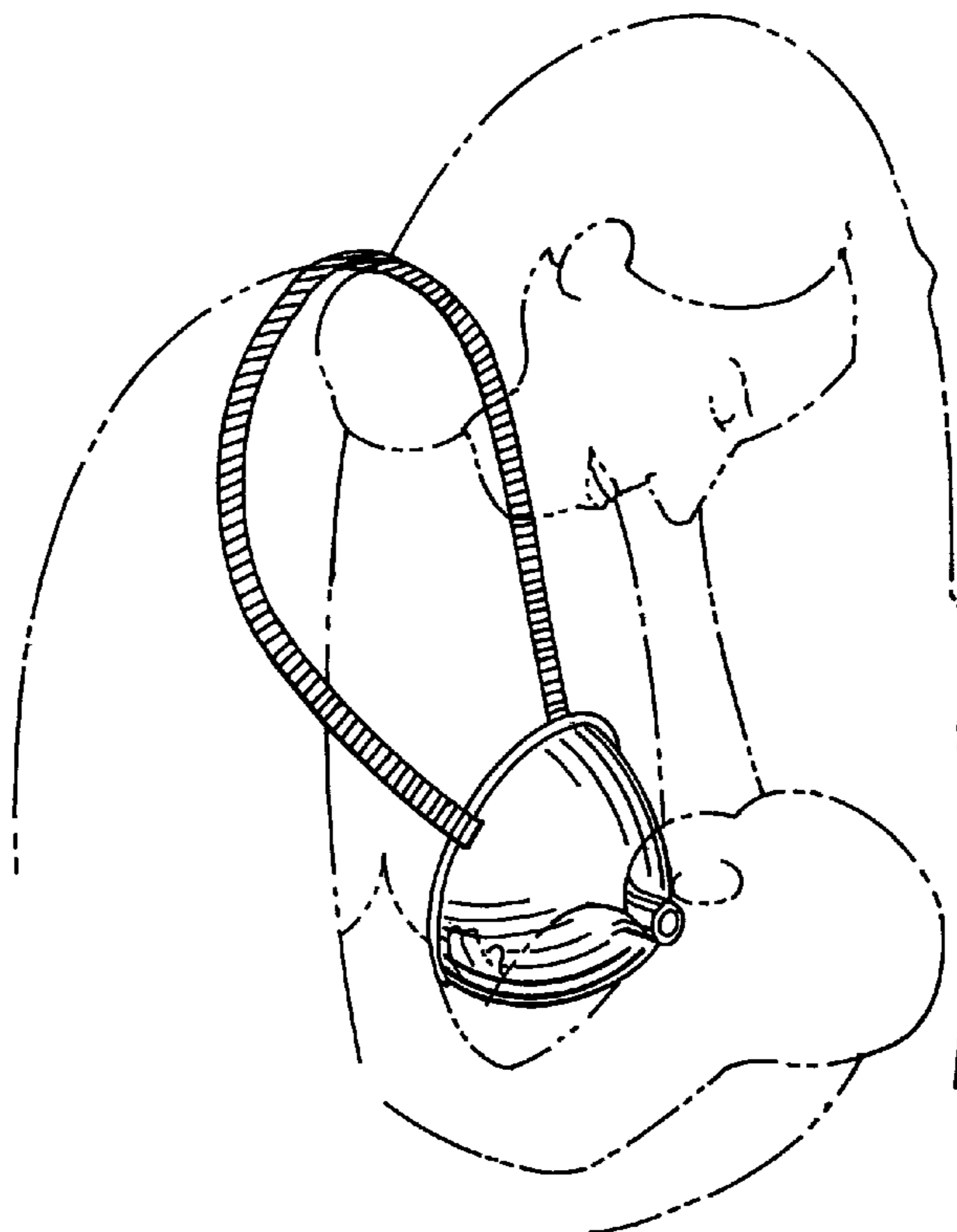
FIG. 7 is a bottom plan view thereof;

FIG. 8 is a cross-sectional view thereof taken along lines 8—8 of FIG. 6; and,

FIG. 9 is an enlarged perspective view thereof.

A portion of the strap has been shown removed in FIGS. 2-8 for ease of illustration.

**1 Claim, 4 Drawing Sheets**



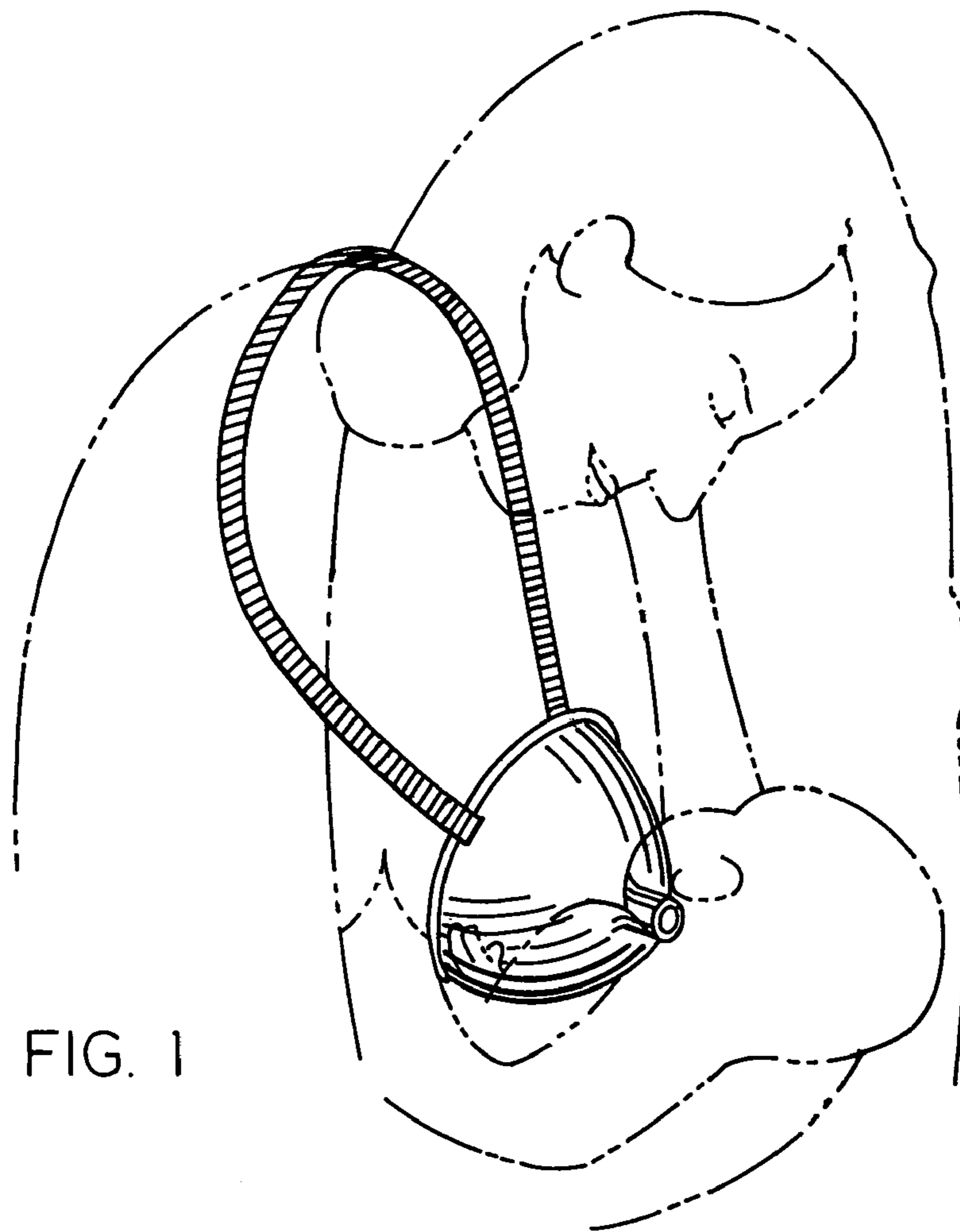


FIG. 1

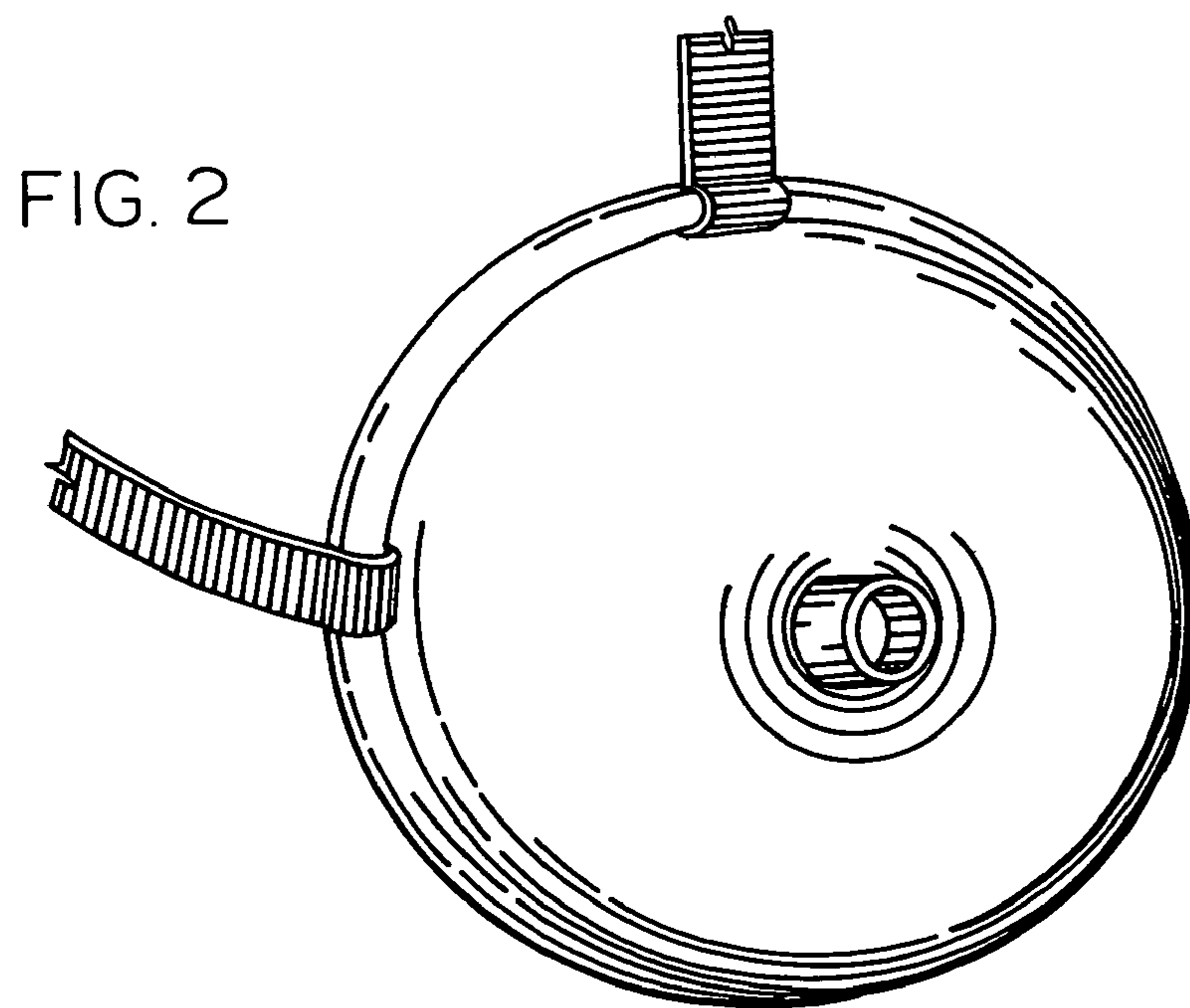


FIG. 2

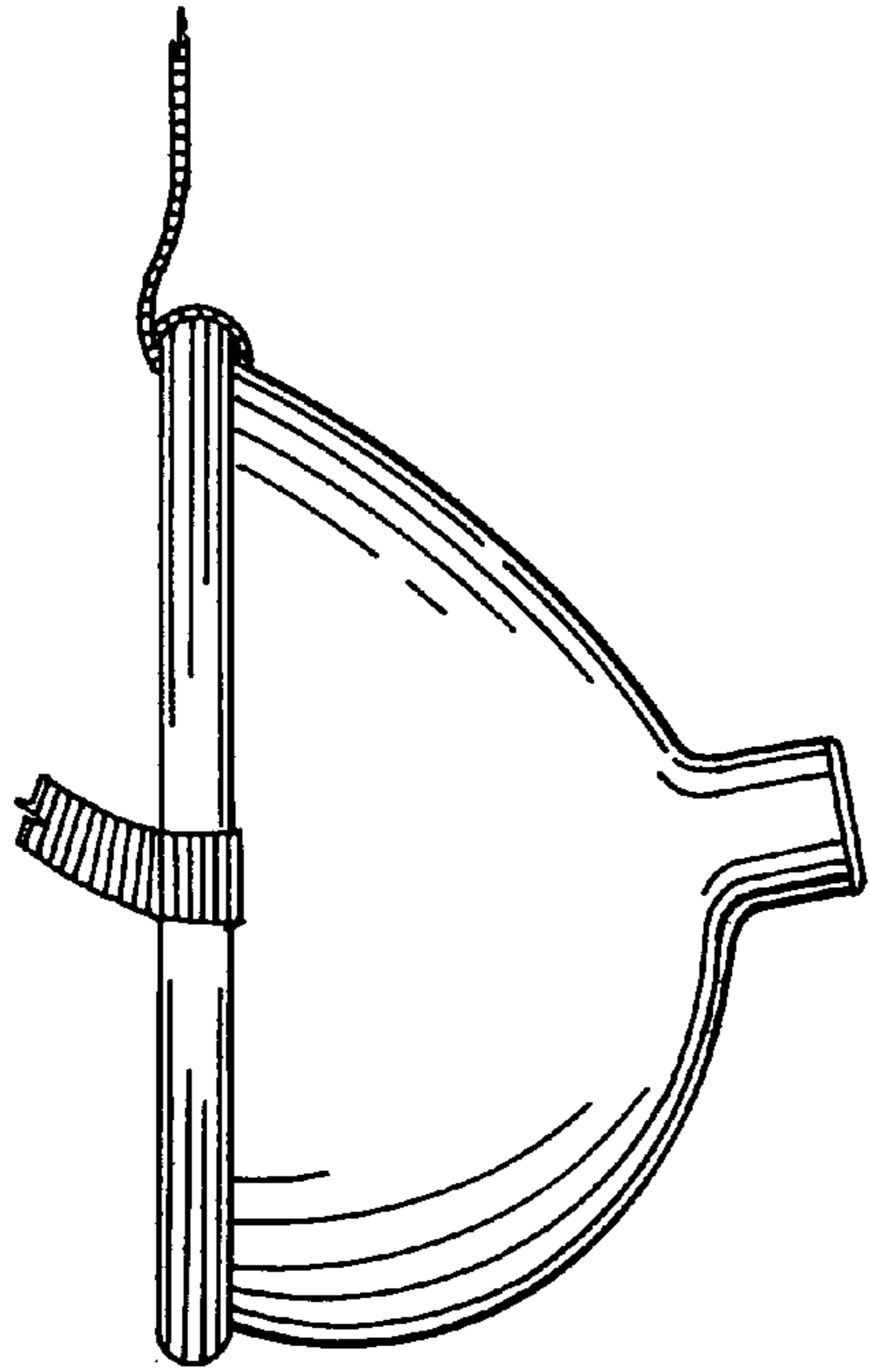


FIG. 3

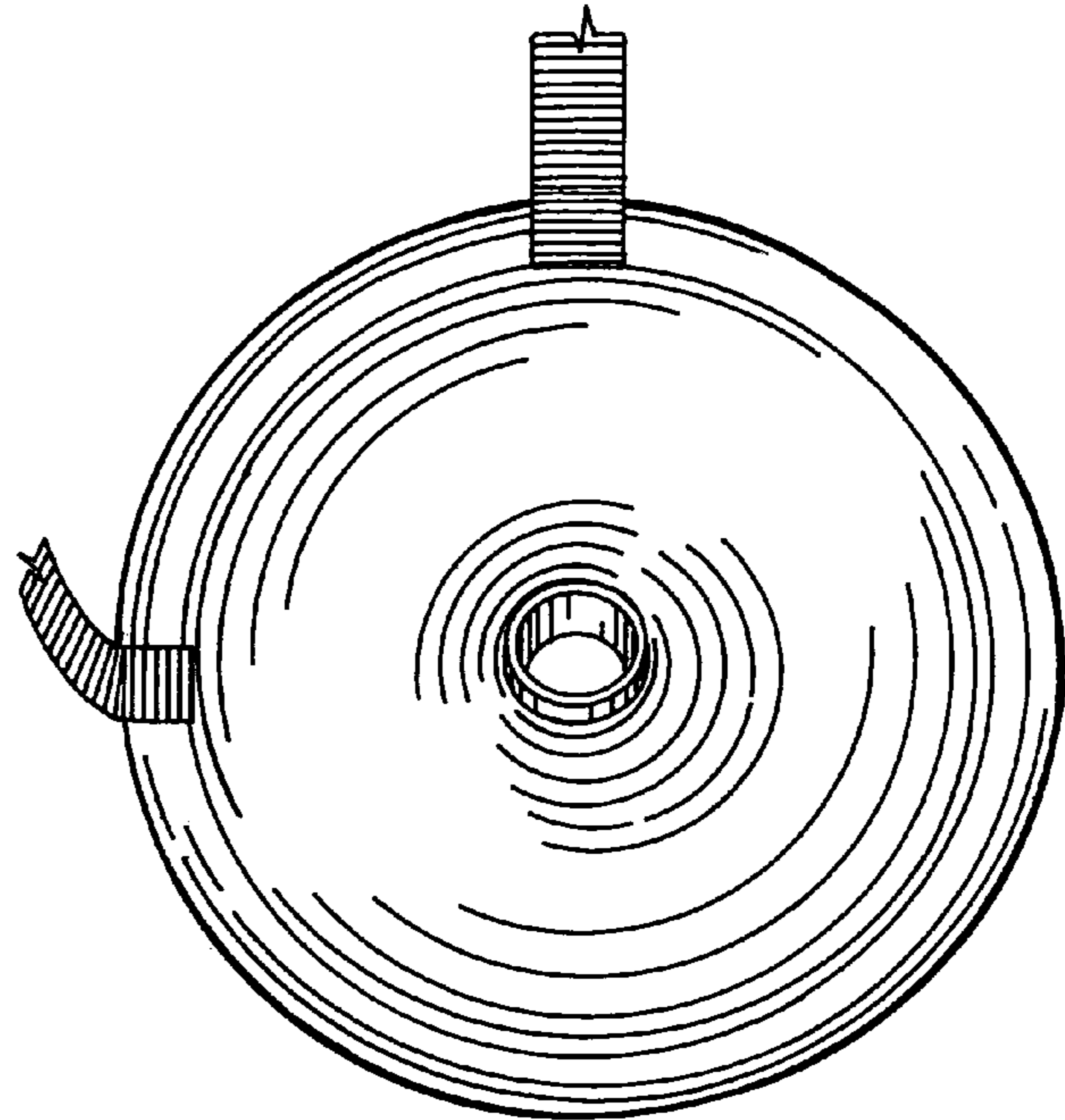


FIG. 4

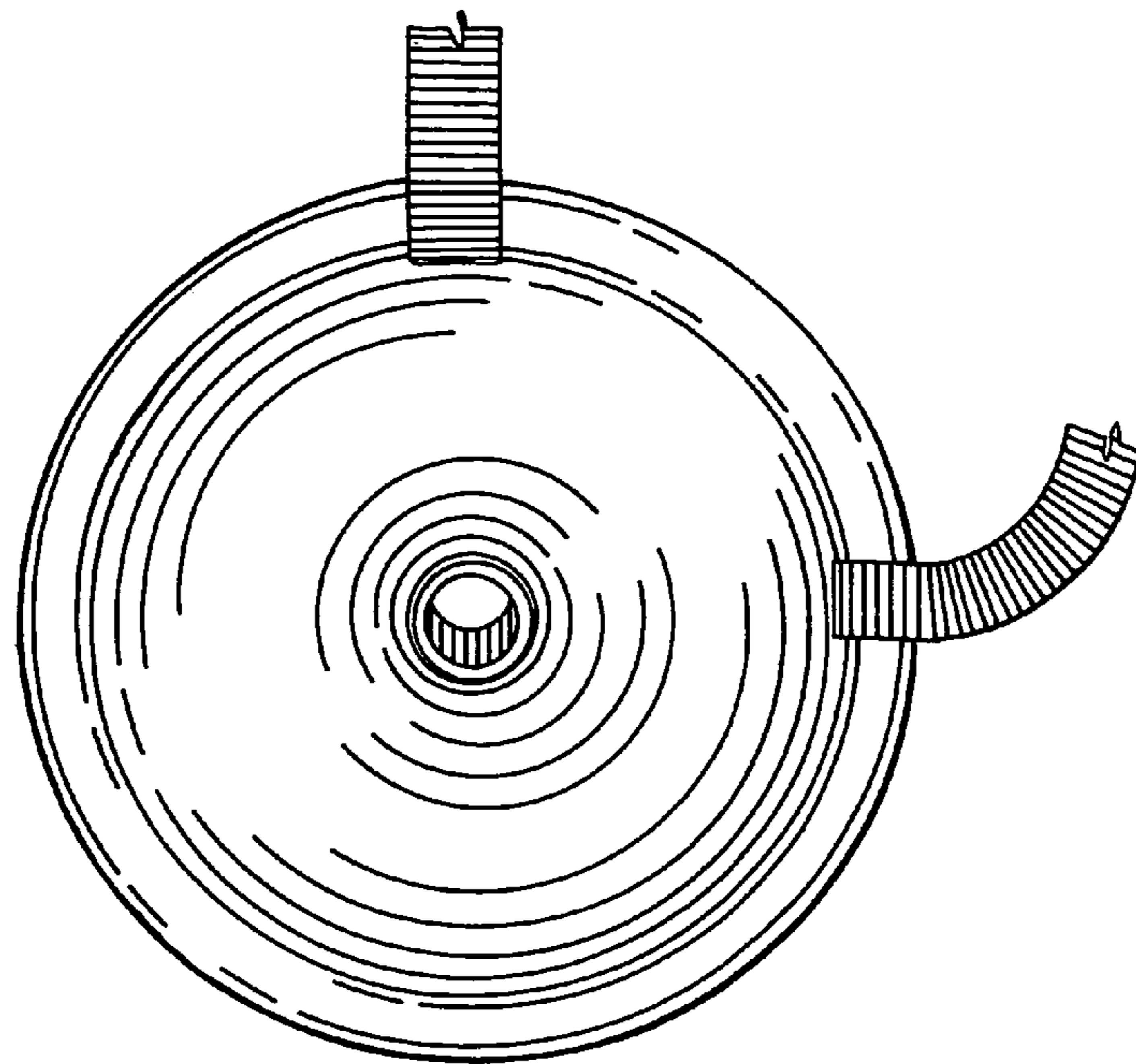


FIG. 5

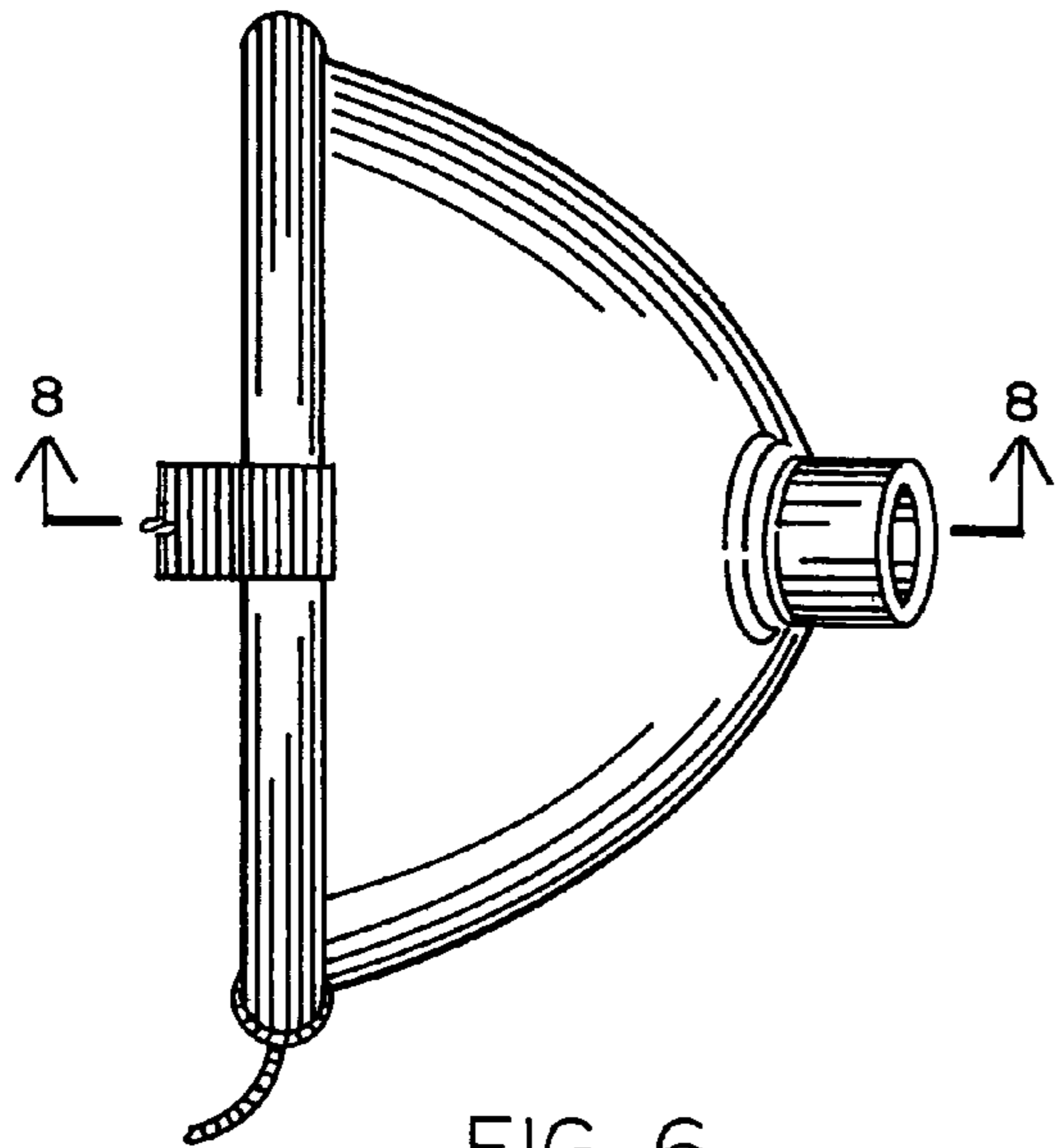


FIG. 6

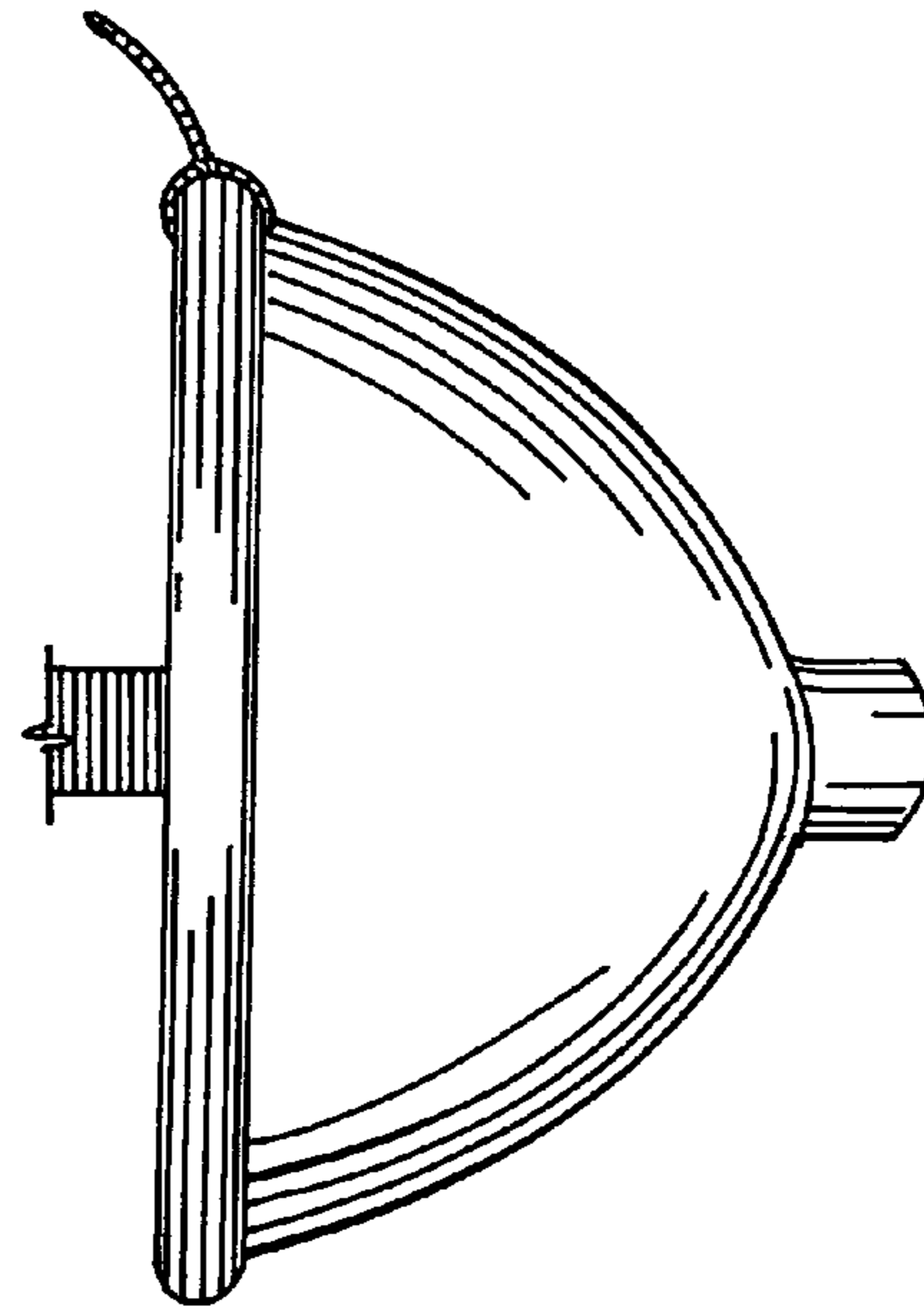


FIG. 7

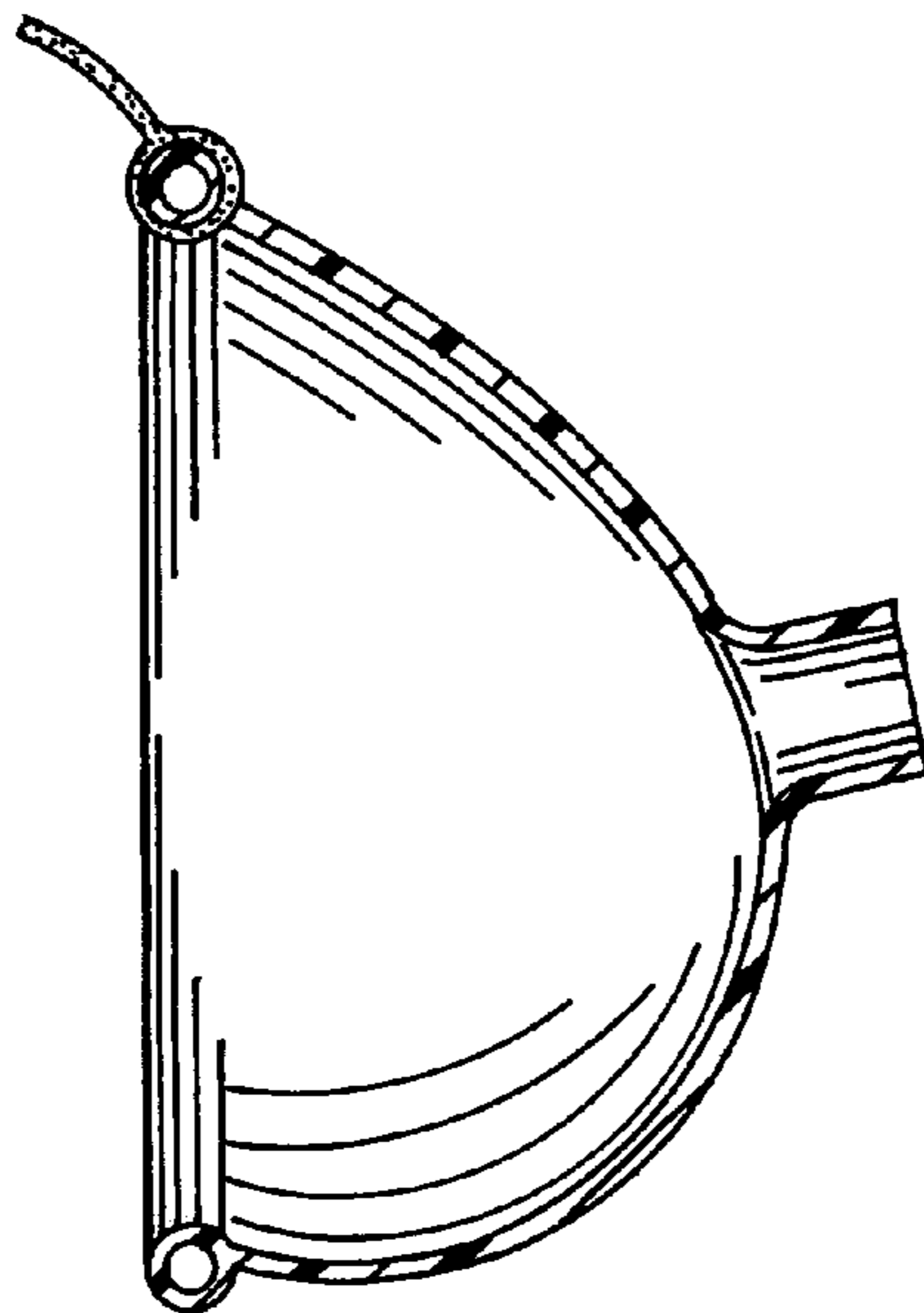


FIG. 8



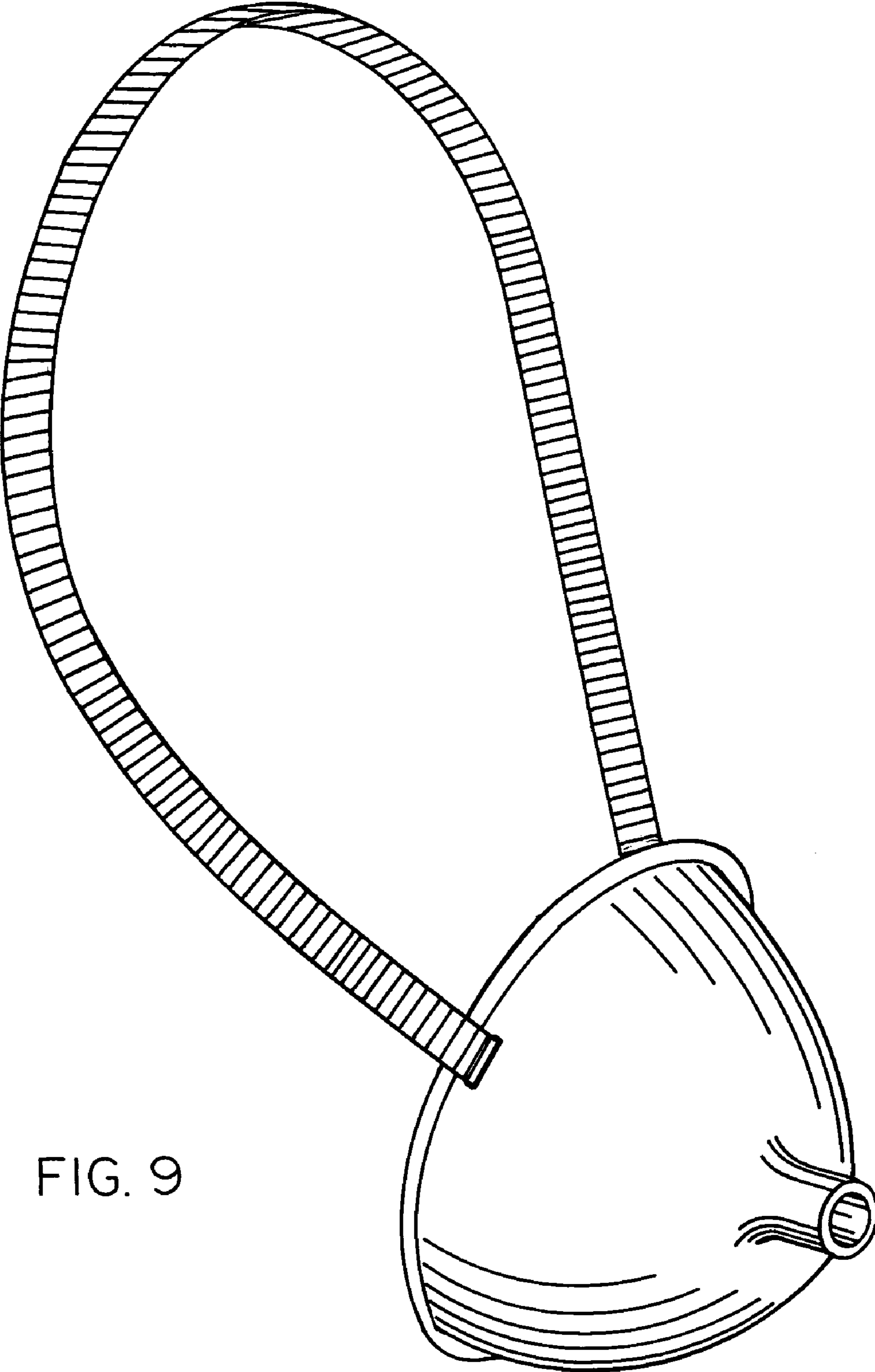


FIG. 9