



US00D584398S

(12) **United States Design Patent**
Benner

(10) **Patent No.:** **US D584,398 S**

(45) **Date of Patent:** **** Jan. 6, 2009**

(54) **EAR PLUG**

(75) Inventor: **Devin Benner**, Pleasant Ridge, MI (US)

(73) Assignee: **McKeon Products, Inc.**, Warren, MI (US)

(**) Term: **14 Years**

(21) Appl. No.: **29/303,716**

(22) Filed: **Feb. 15, 2008**

Related U.S. Application Data

(63) Continuation-in-part of application No. 29/270,085, filed on Dec. 14, 2006.

(51) **LOC (9) Cl.** **24-04**

(52) **U.S. Cl.** **D24/106**

(58) **Field of Classification Search** D24/106,
D24/134, 173, 174; 128/864, 866; 181/129,
181/130, 135; 381/224, 317, 330; D14/205,
D14/206; D29/112

See application file for complete search history.

(56) **References Cited**

U.S. PATENT DOCUMENTS

2,672,863 A * 3/1954 Leight 128/867
D236,162 S * 7/1975 Leight D24/106

4,564,009 A * 1/1986 Brinkhoff 128/864
5,452,731 A * 9/1995 Dickman 128/864
D418,650 S * 1/2000 Neuhaus D34/1
D423,664 S * 4/2000 Falco D24/106
D435,626 S * 12/2000 Benini D22/116
D449,592 S * 10/2001 Koss et al. D14/223
D541,412 S * 4/2007 Benner D24/106

* cited by examiner

Primary Examiner—Adir Aronovich
Assistant Examiner—Anna J Burmeister
(74) *Attorney, Agent, or Firm*—Butzel Long

(57) **CLAIM**

The ornamental design for an ear plug, as shown and described.

DESCRIPTION

FIG. 1 is front perspective view of an ear plug, showing my new design;

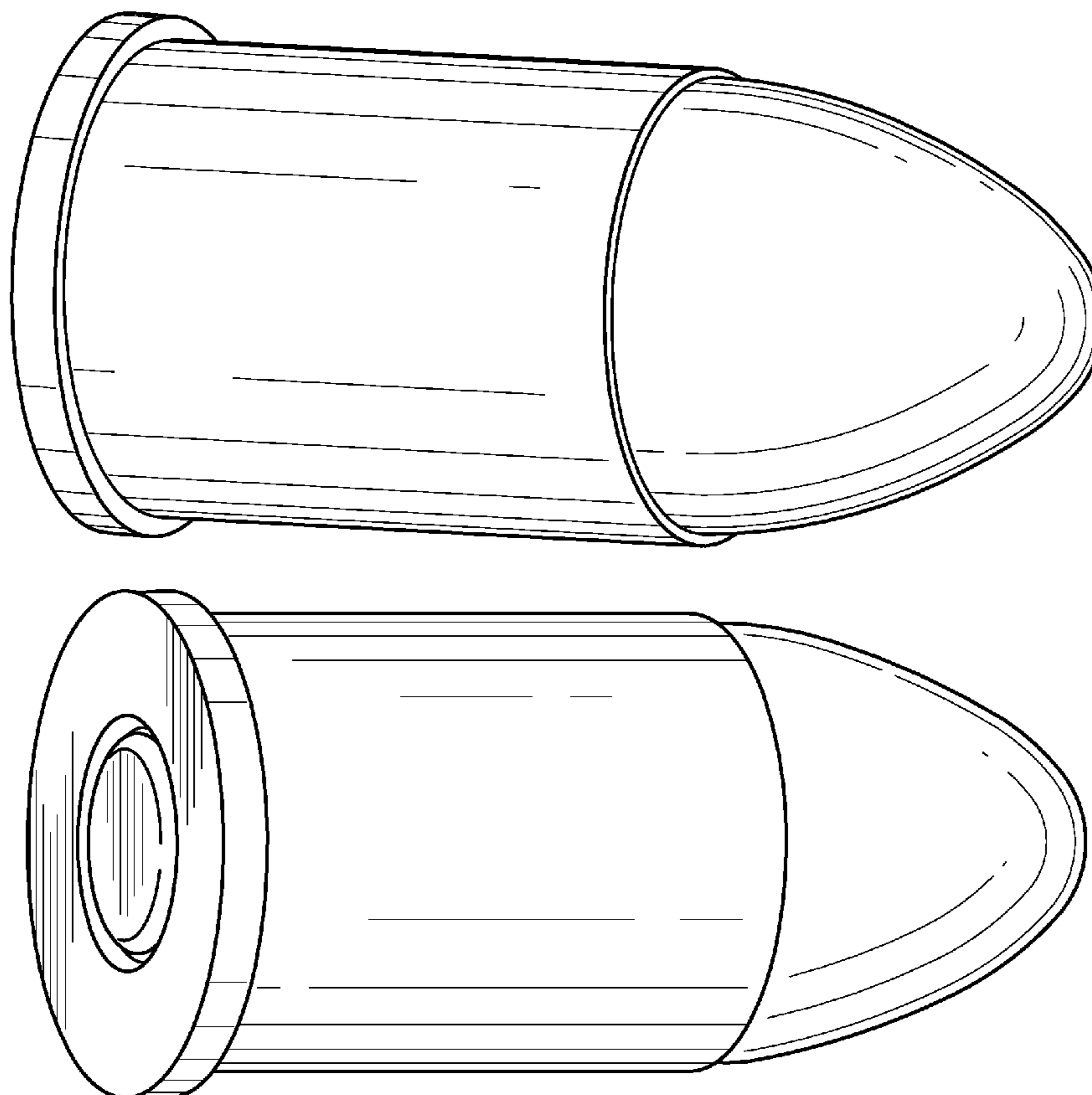
FIG. 2 is a rear perspective view thereof;

FIG. 3 is a top plan view thereof;

FIG. 4 is a side elevational view thereof; and,

FIG. 5 is a bottom plan view thereof.

1 Claim, 3 Drawing Sheets



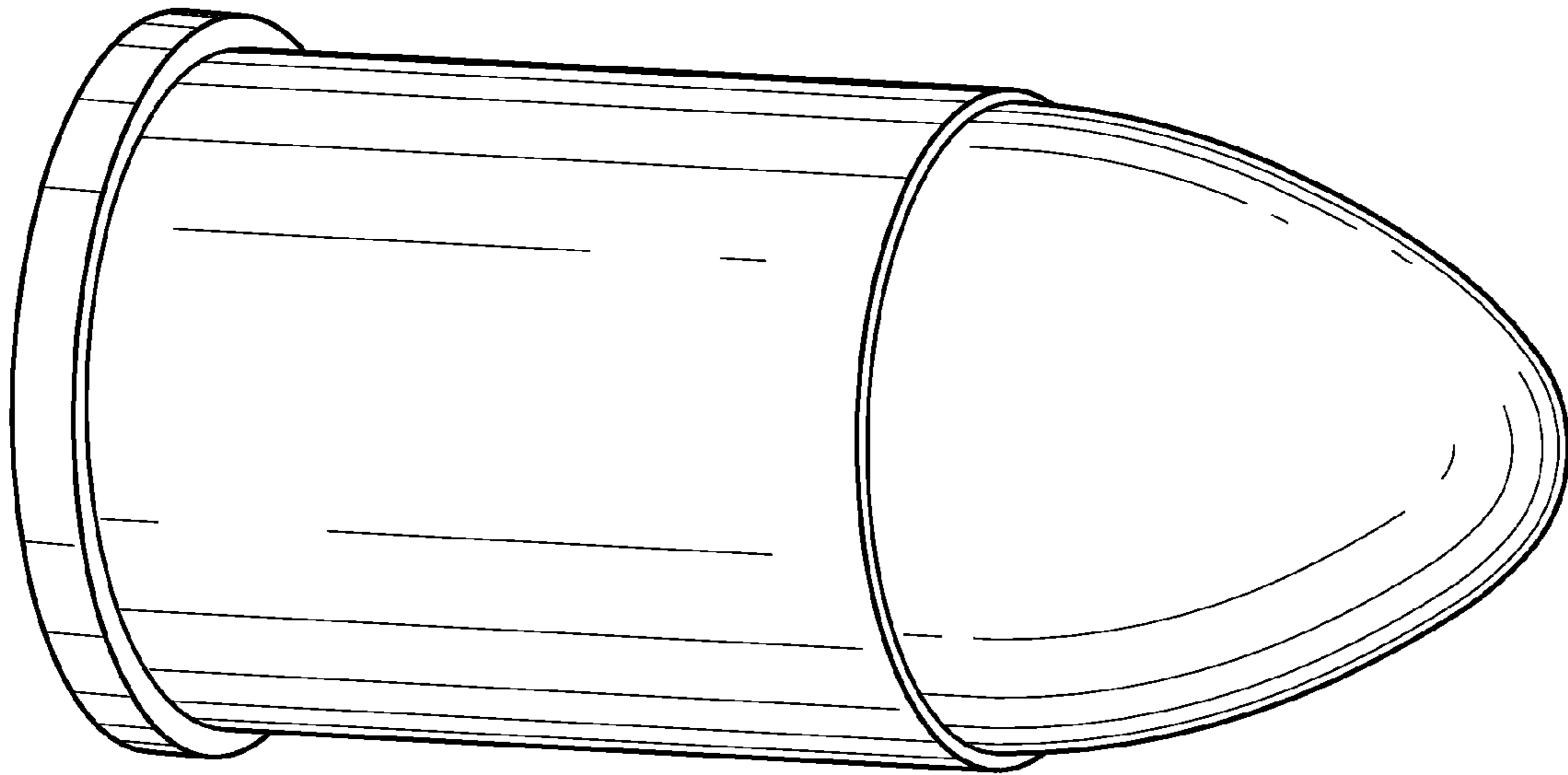


FIG - 1

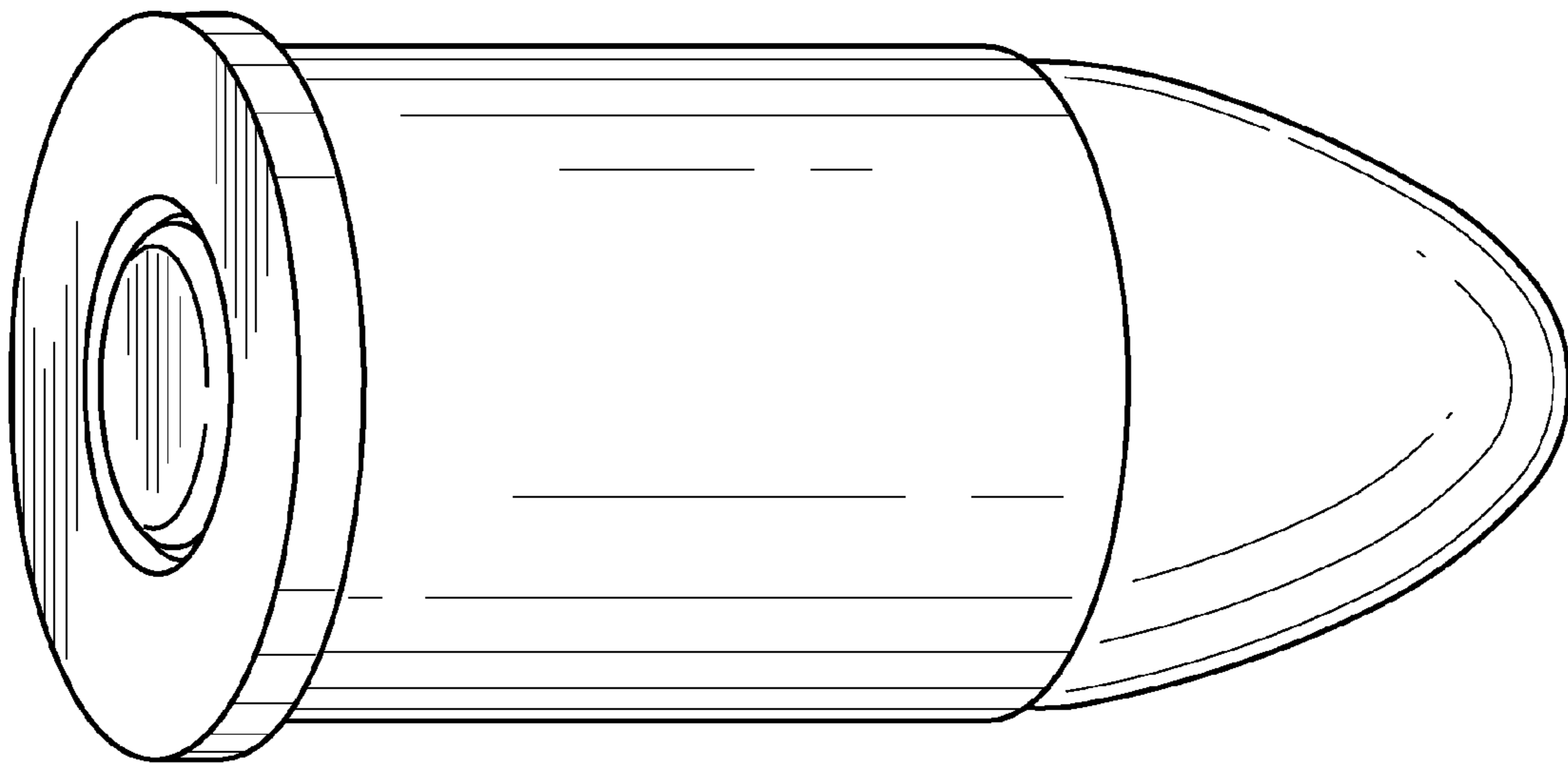


FIG - 2

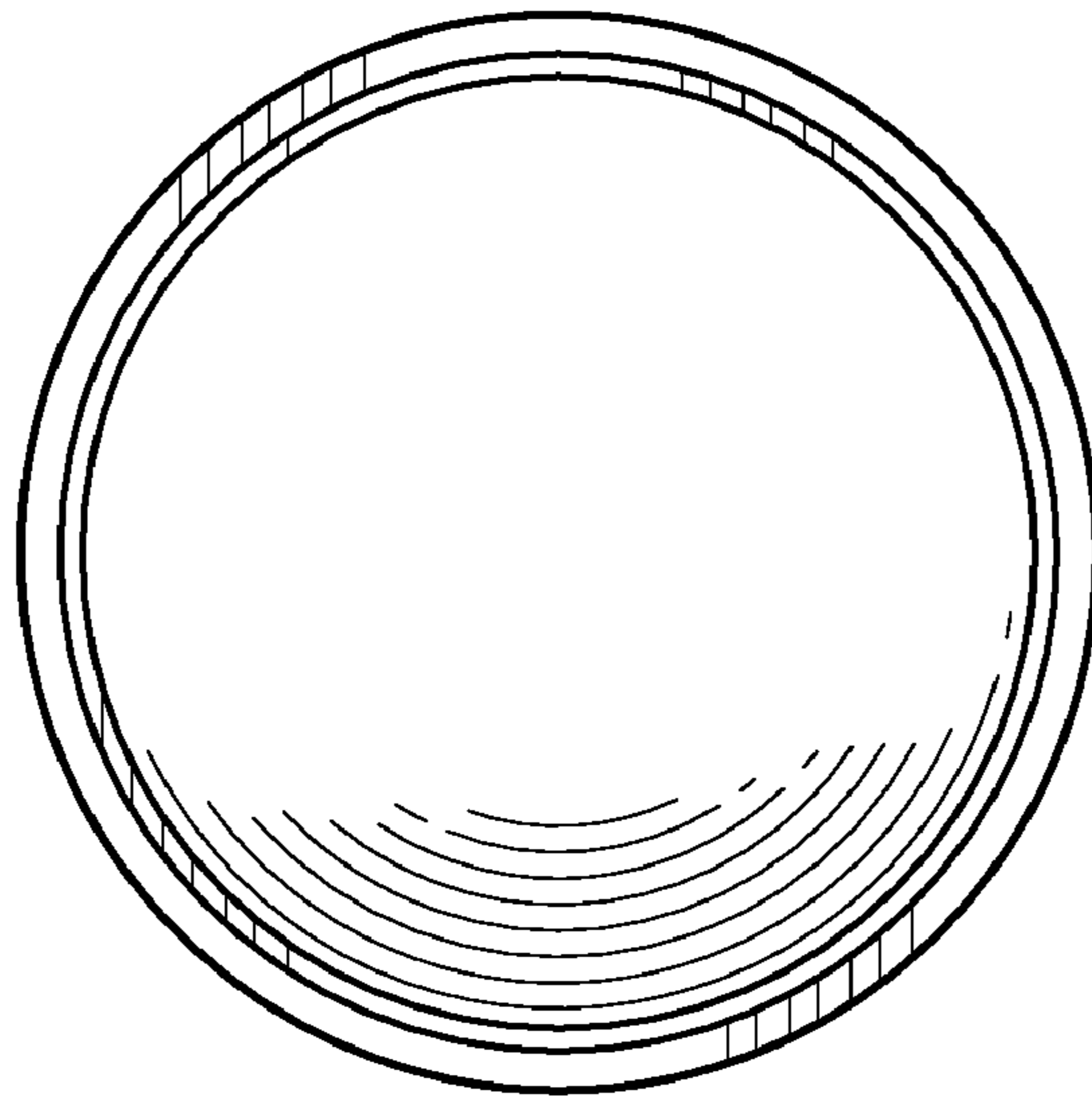


FIG - 3

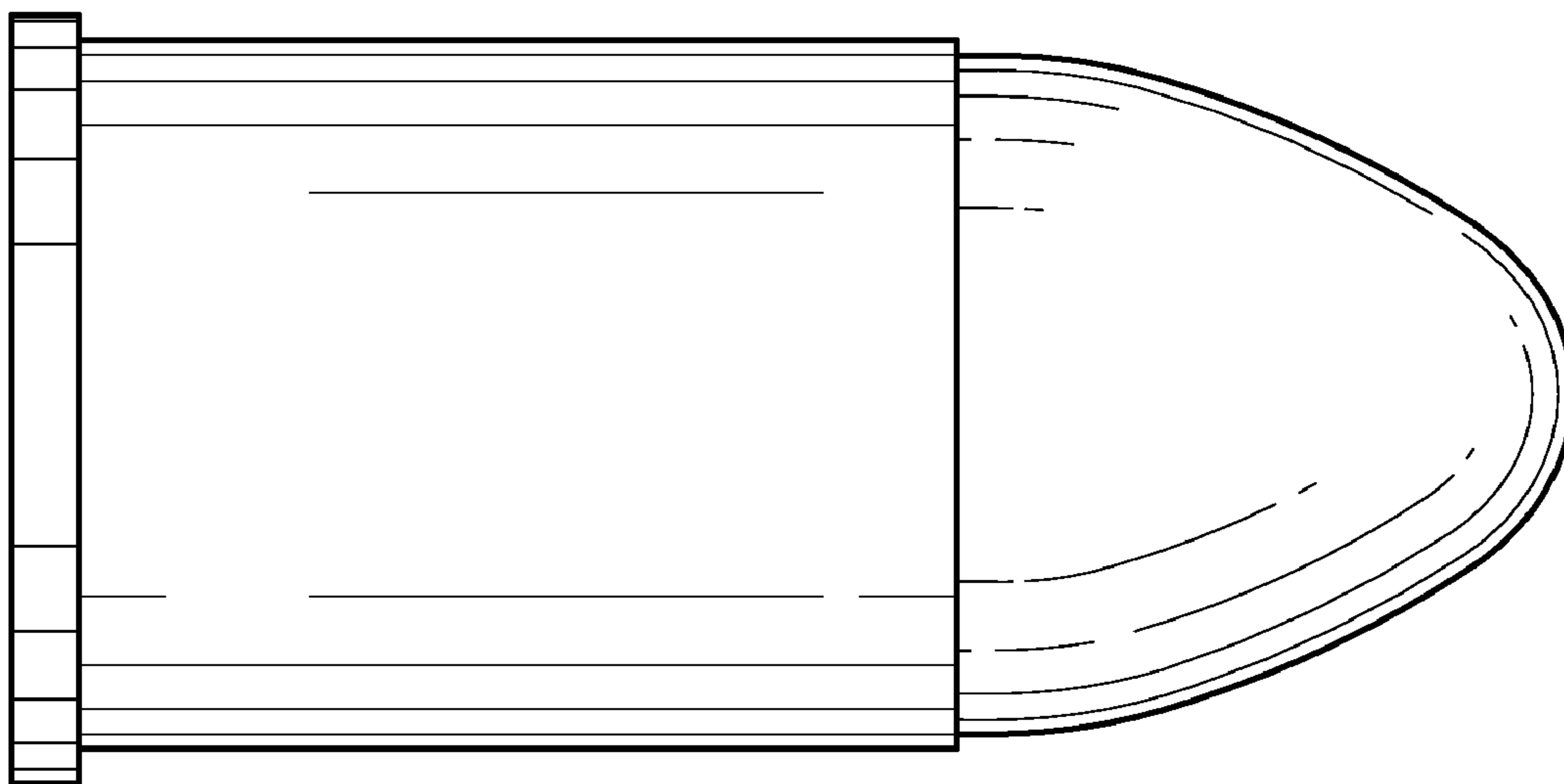


FIG - 4

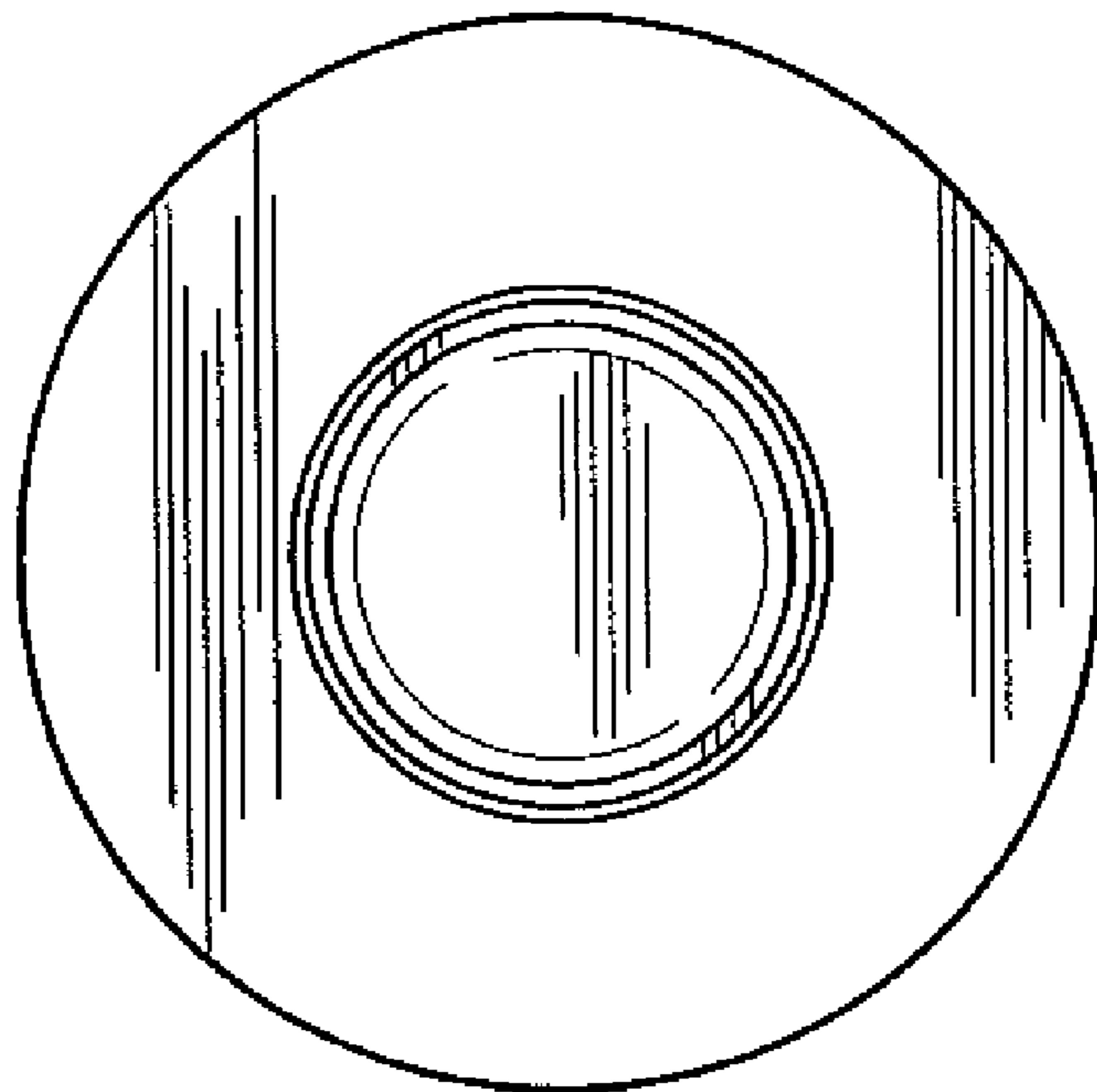


FIG - 5