



US00D584389S

(12) **United States Design Patent**  
**Oh et al.**

(10) **Patent No.:** **US D584,389 S**  
(45) **Date of Patent:** **\*\* \*Jan. 6, 2009**

(54) **AIR CONDITIONER**

(75) Inventors: **San Hui Oh**, Seoul (KR); **Joo Hee Ryu**,  
Kyunggi-do (KR)

(73) Assignee: **Samsung Electronics Co. Ltd.**, Suwon  
(KR)

(\*) Notice: This patent is subject to a terminal dis-  
claimer.

(\*\*) Term: **14 Years**

(21) Appl. No.: **29/301,806**

(22) Filed: **Mar. 17, 2008**

(51) **LOC (9) Cl.** ..... **23-03**

(52) **U.S. Cl.** ..... **D23/351**

(58) **Field of Classification Search** ..... D23/351-354;  
312/236; 62/259.1, 259.4, 262-263, 304;  
454/330-331, 349-350

See application file for complete search history.

(56) **References Cited**

**U.S. PATENT DOCUMENTS**

D368,305 S \* 3/1996 Shigenari et al. .... D23/351  
D417,910 S \* 12/1999 Nonaka ..... D23/351  
D420,116 S \* 2/2000 Kobayashi ..... D23/351  
D426,626 S \* 6/2000 Nonaka ..... D23/351

D439,317 S \* 3/2001 Kobayashi ..... D23/351  
D446,292 S \* 8/2001 Asakura et al. .... D23/351  
D448,073 S \* 9/2001 Wakasa ..... D23/351  
D449,095 S \* 10/2001 Yanagida et al. .... D23/351  
D450,823 S \* 11/2001 Kobayashi ..... D23/351  
D451,586 S \* 12/2001 Oya et al. .... D23/351  
D454,188 S \* 3/2002 Nonaka ..... D23/351  
D465,016 S \* 10/2002 Nanjo et al. .... D23/351  
D487,142 S \* 2/2004 Yoo ..... D23/351

\* cited by examiner

*Primary Examiner*—Brian N Vinson

(74) *Attorney, Agent, or Firm*—Ladas & Parry LLP

(57) **CLAIM**

We claim the ornamental design for air conditioner, as shown.

**DESCRIPTION**

FIG. 1 is a front/right-side/top perspective view of an air  
conditioner showing our new design;

FIG. 2 is a front-side elevational view thereof;

FIG. 3 is a rear-side elevational view thereof;

FIG. 4 is a left-side elevational view thereof;

FIG. 5 is a right-side elevational view thereof;

FIG. 6 is a top-side elevational view thereof; and,

FIG. 7 is a bottom-side elevational view thereof.

**1 Claim, 4 Drawing Sheets**

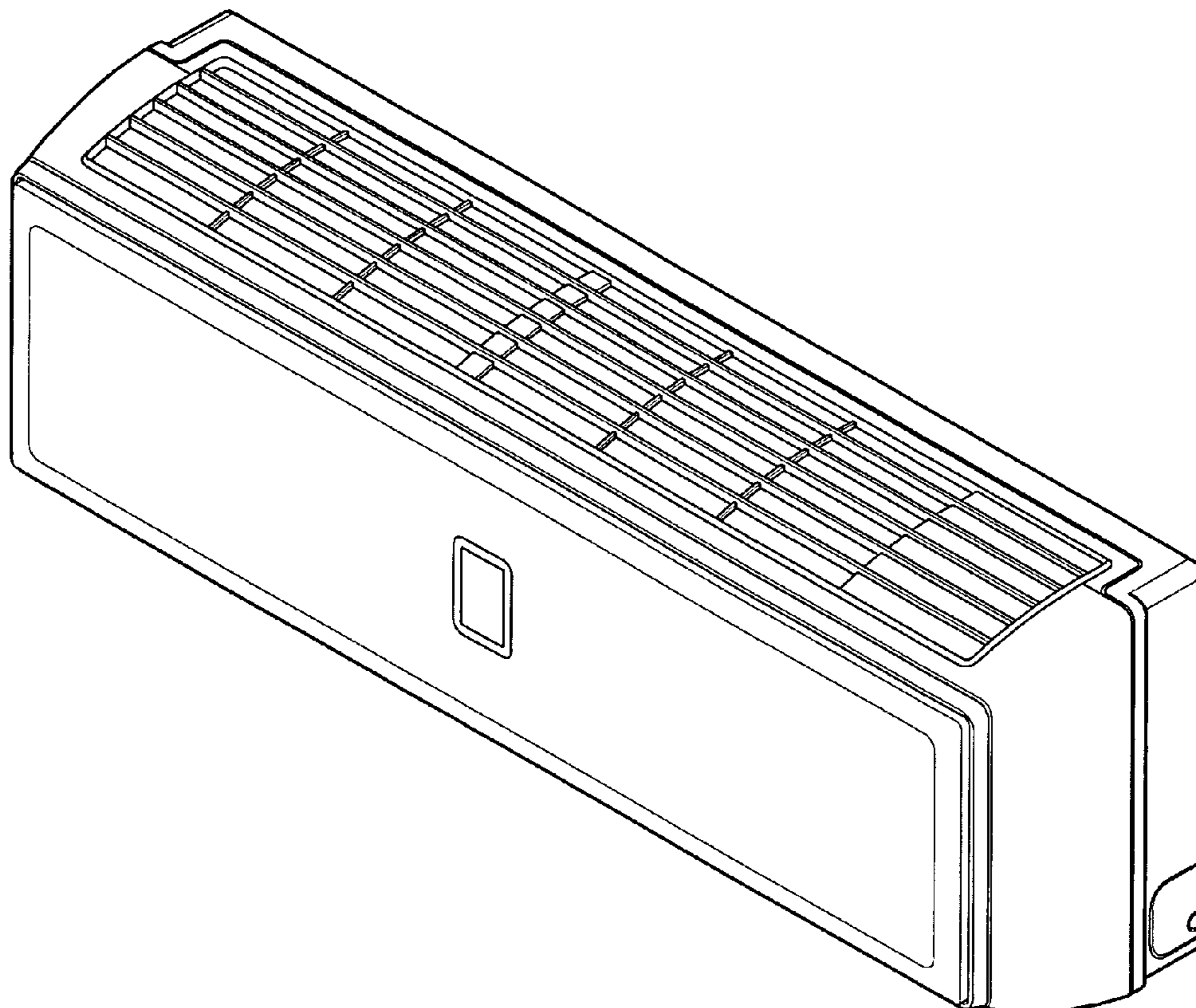


FIG. 1

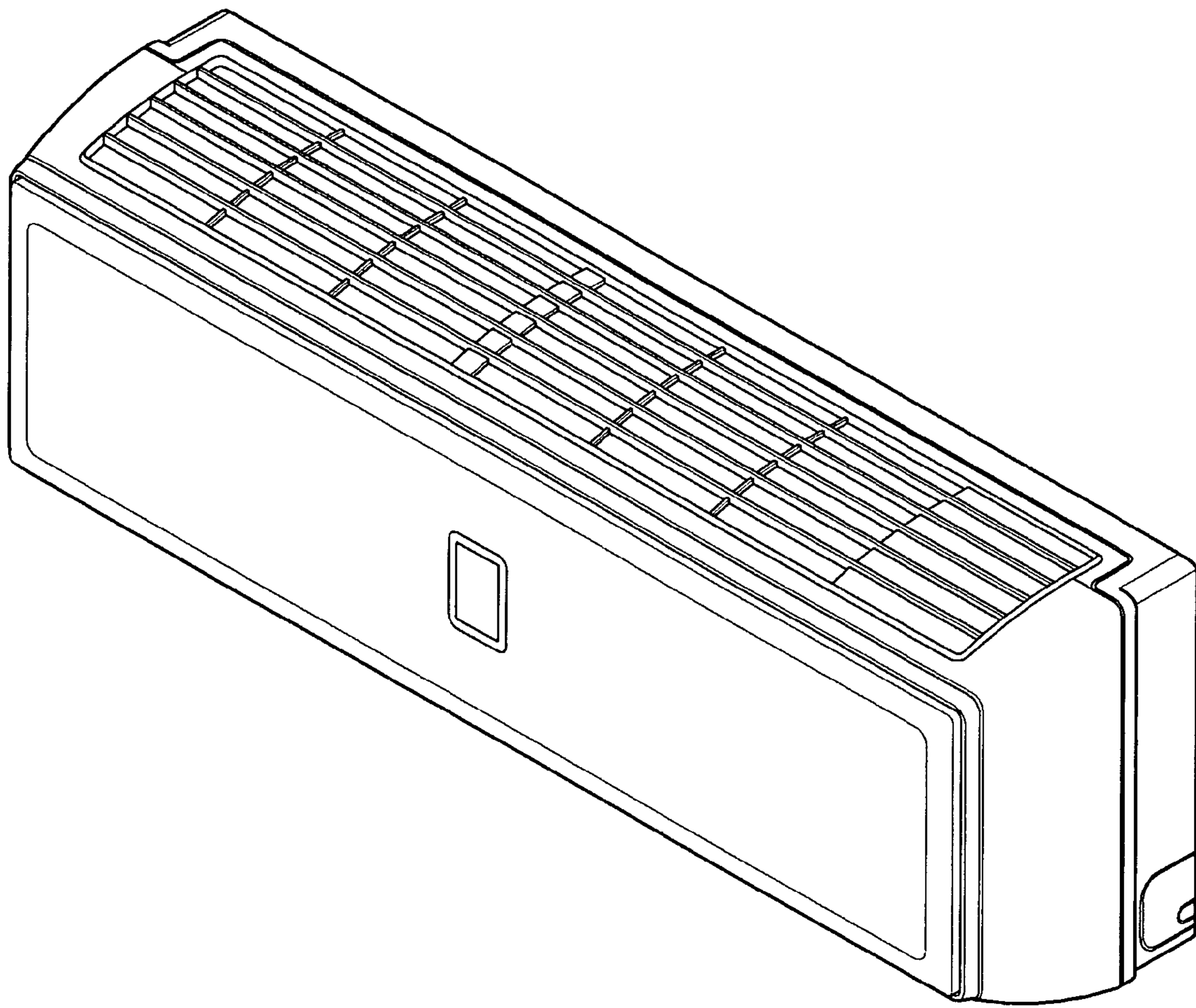


FIG. 2

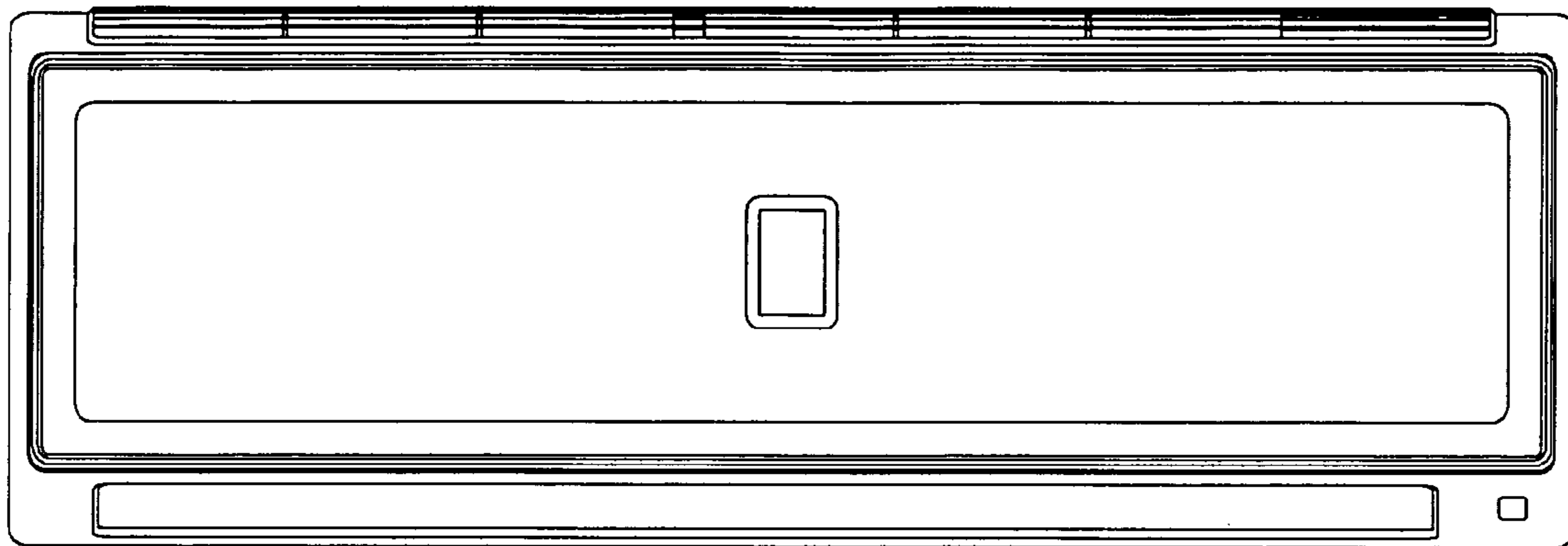
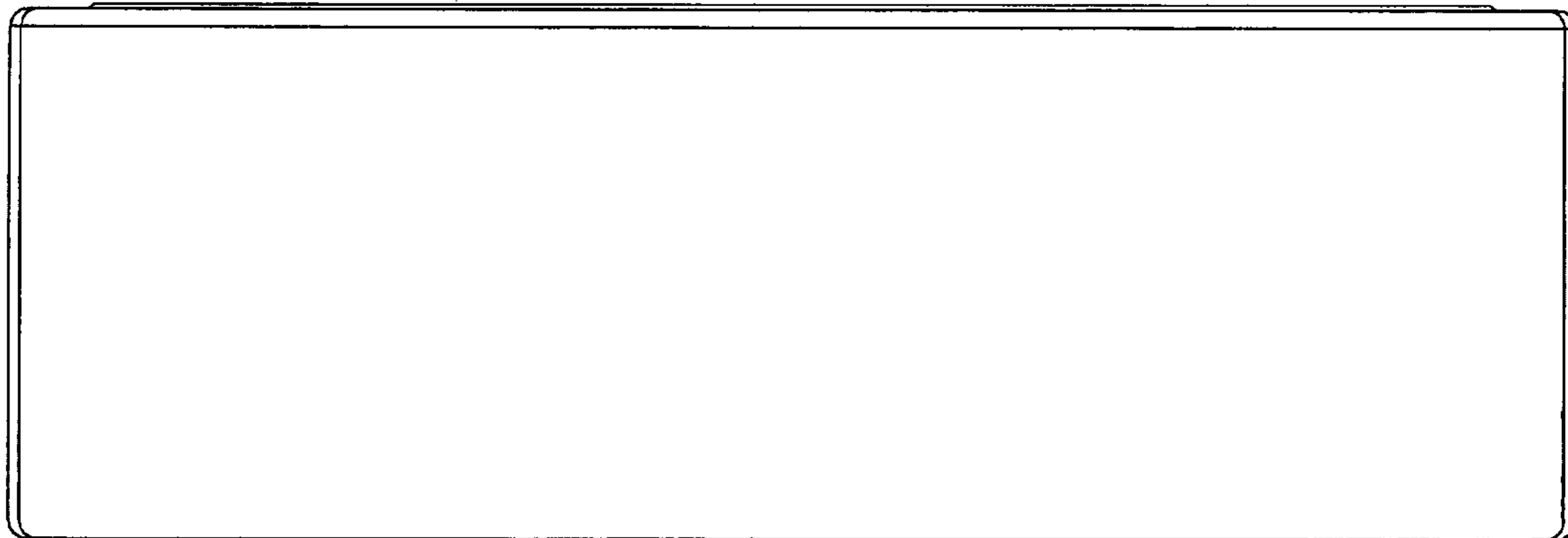
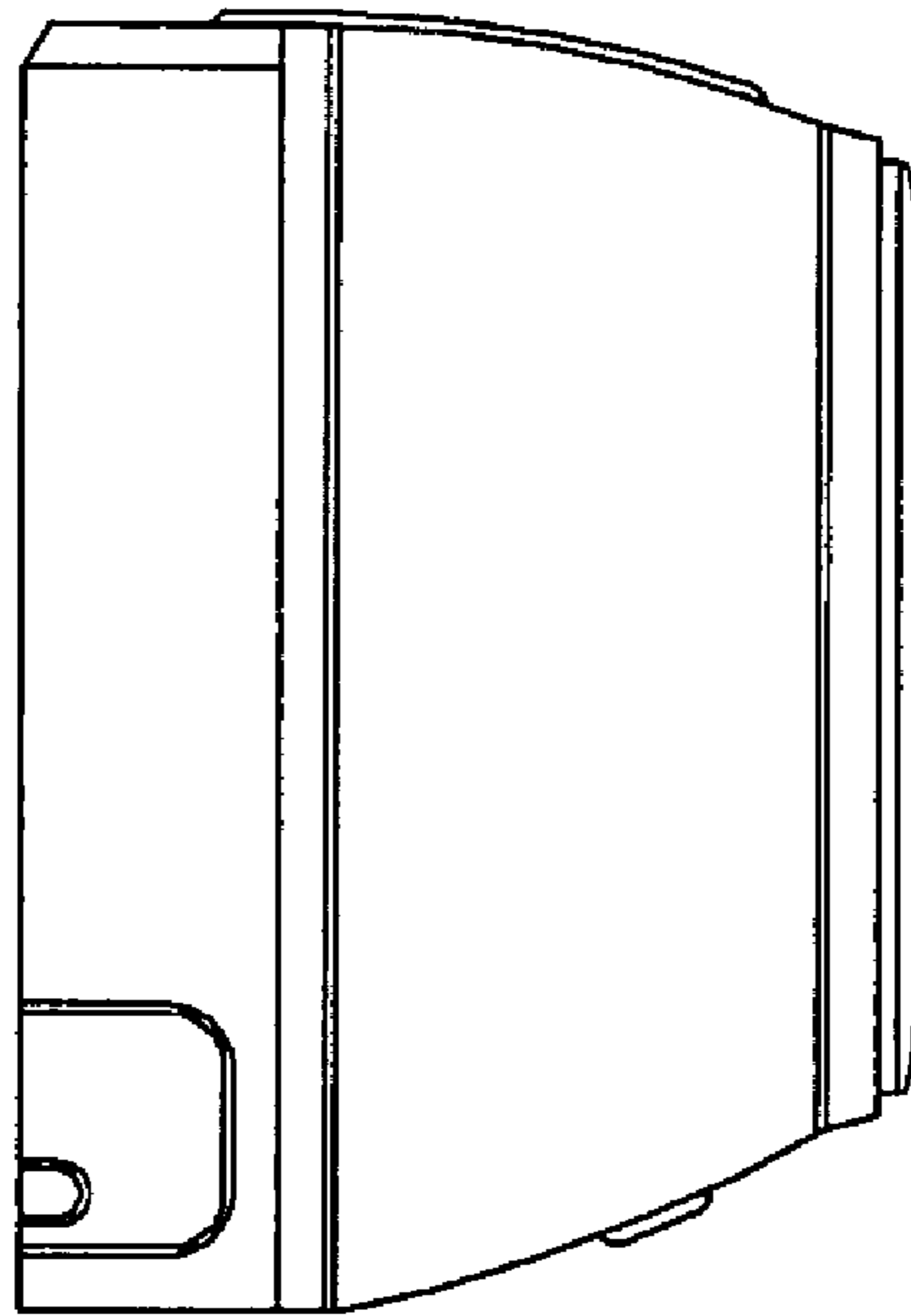


FIG. 3



**FIG. 4**



**FIG. 5**

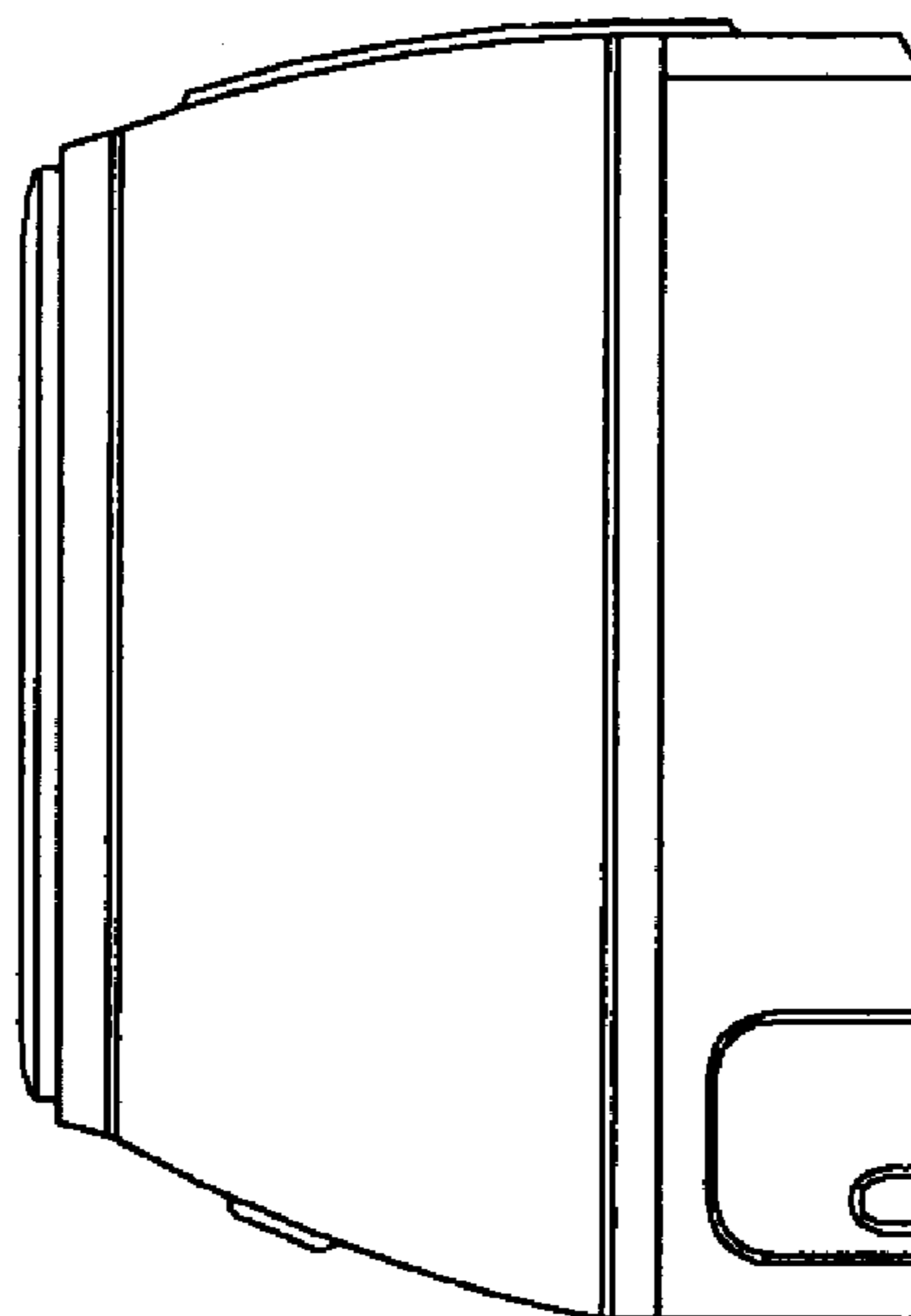


FIG. 6

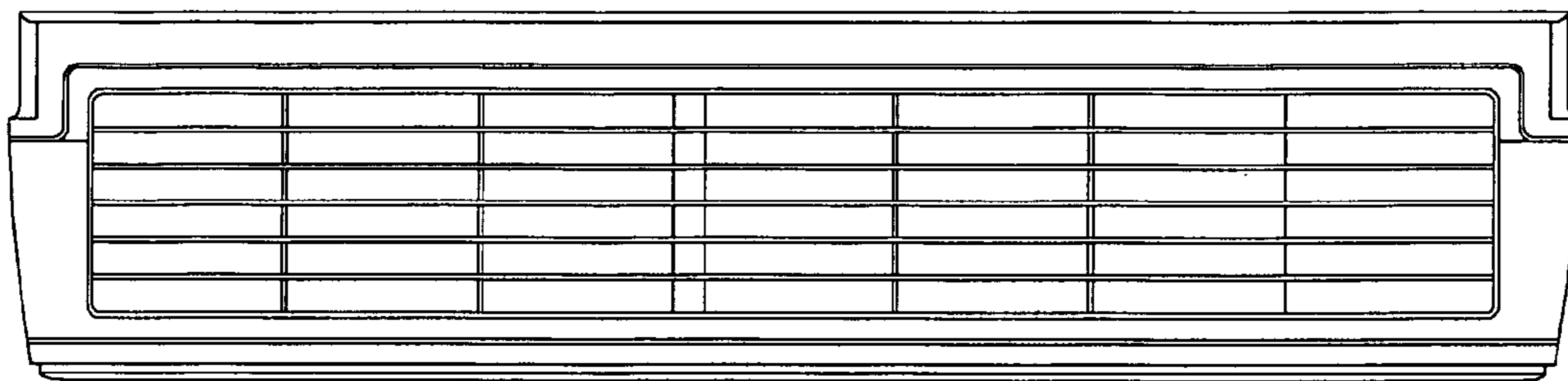


FIG. 7

