

US00D584388S

(12) **United States Design Patent**
Chooji

(10) **Patent No.:** **US D584,388 S**
(45) **Date of Patent:** **** Jan. 6, 2009**

(54) **OUTDOOR UNIT FOR AIR CONDITIONER**

(75) Inventor: **Masahiko Chooji**, Kusatsu (JP)

(73) Assignee: **Daikin Industries Ltd.**, Osaka-Shi,
Osaka (JP)

(**) Term: **14 Years**

(21) Appl. No.: **29/300,627**

(22) Filed: **Apr. 21, 2008**

(51) **LOC (9) Cl.** **23-04**

(52) **U.S. Cl.** **D23/351**

(58) **Field of Classification Search** D23/351-354;
312/236; 454/201-204; 62/259.1, 259.4,
62/262-263, 304, 324.1

See application file for complete search history.

(56) **References Cited**

U.S. PATENT DOCUMENTS

D443,349 S *	6/2001	Nonaka	D23/351
D463,540 S *	9/2002	Kammer et al.	D23/351
D495,407 S *	8/2004	Asaoka et al.	D23/351
D497,983 S *	11/2004	Nanjo et al.	D23/351
D508,118 S *	8/2005	Motonishi et al.	D23/351
D513,528 S *	1/2006	Tucker et al.	D23/351
D532,503 S *	11/2006	Shimizu	D23/351

D532,889 S * 11/2006 Shimizu D23/351

* cited by examiner

Primary Examiner—Brian N Vinson

(74) *Attorney, Agent, or Firm*—Manabu Kanesaka

(57) **CLAIM**

The ornamental design for an outdoor unit for air conditioner, as shown and described.

DESCRIPTION

FIG. 1 is a perspective view of an outdoor unit for air conditioner showing my new design;

FIG. 2 is a front view thereof;

FIG. 3 is a rear view thereof;

FIG. 4 is a right side view thereof;

FIG. 5 is a left side view thereof;

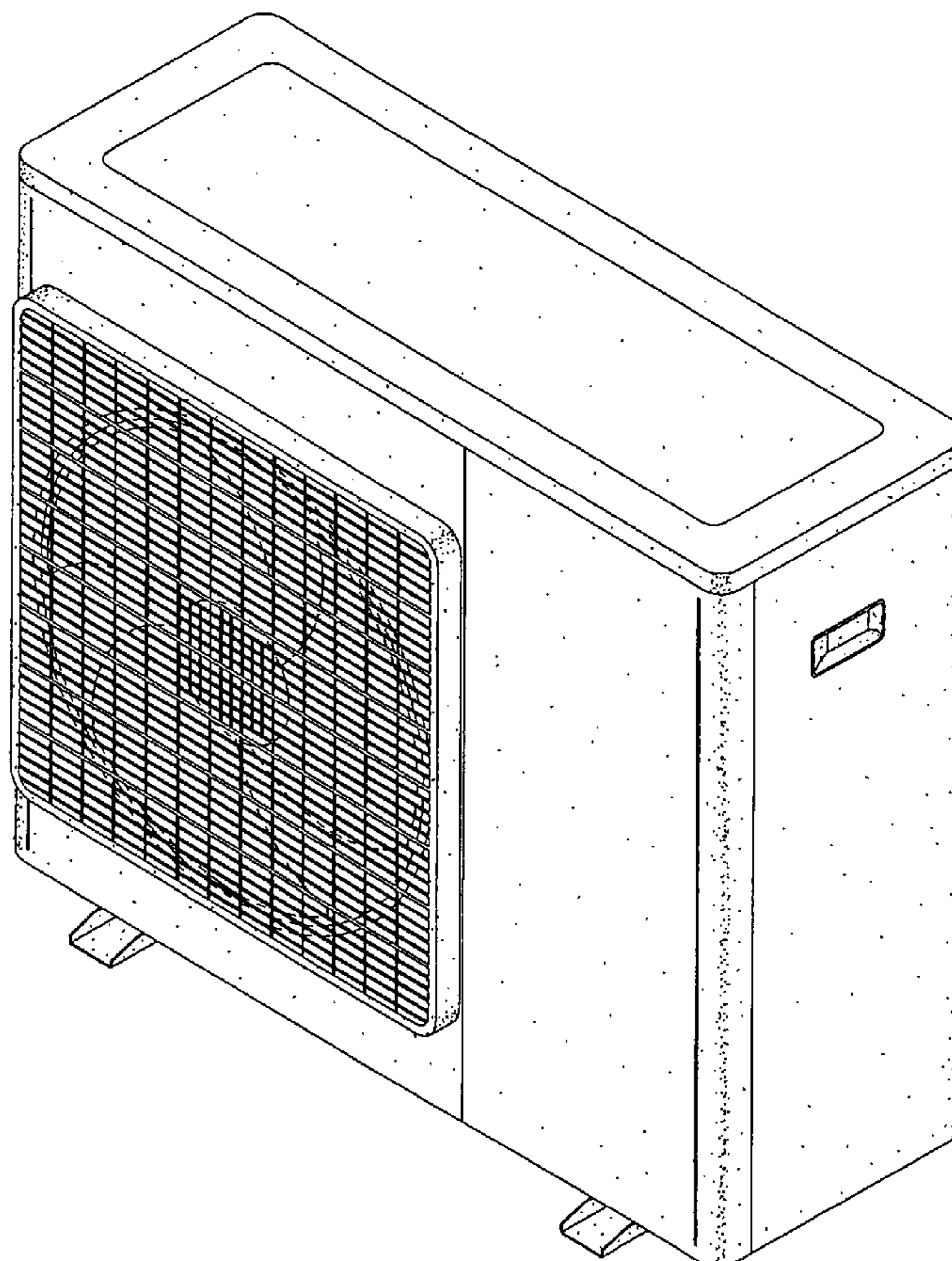
FIG. 6 is a plan view thereof;

FIG. 7 is a bottom view thereof; and,

FIG. 8 is a sectional view thereof taken along line 8—8 in FIG. 2.

The broken-line disclosure in the views forms no part of the claimed design and is understood to form no part of the claimed design.

1 Claim, 8 Drawing Sheets



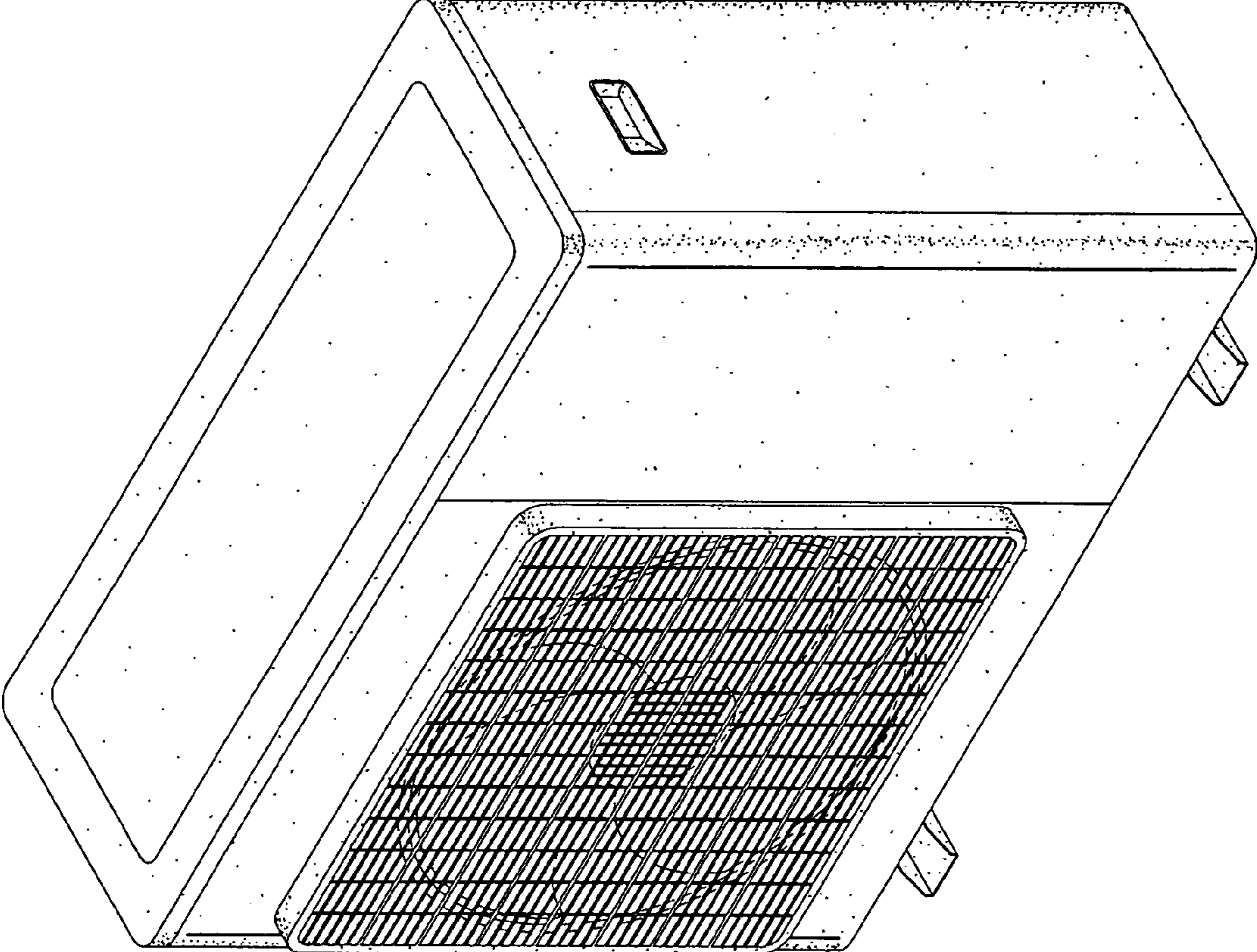
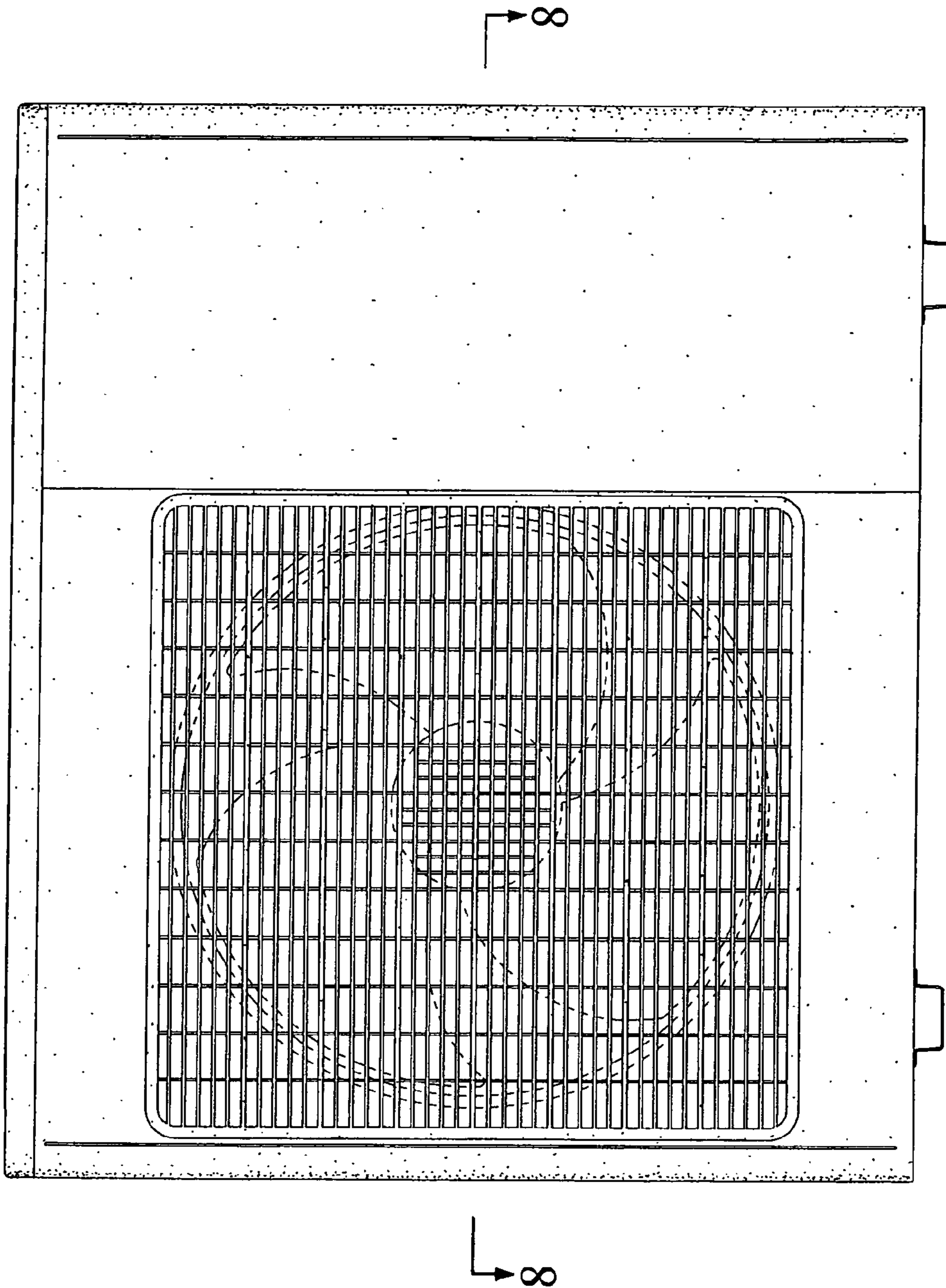


Fig. 1

Fig. 2



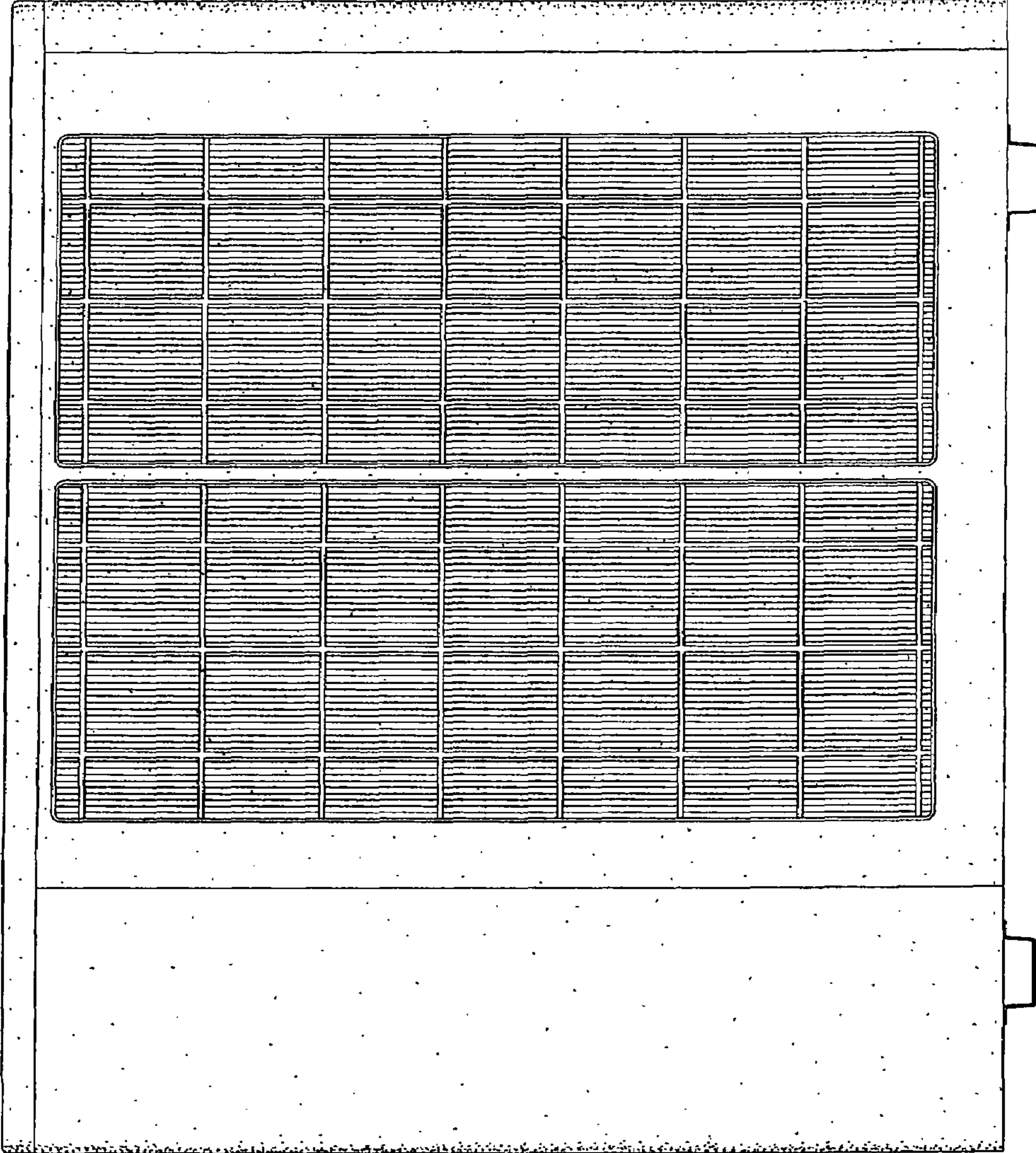
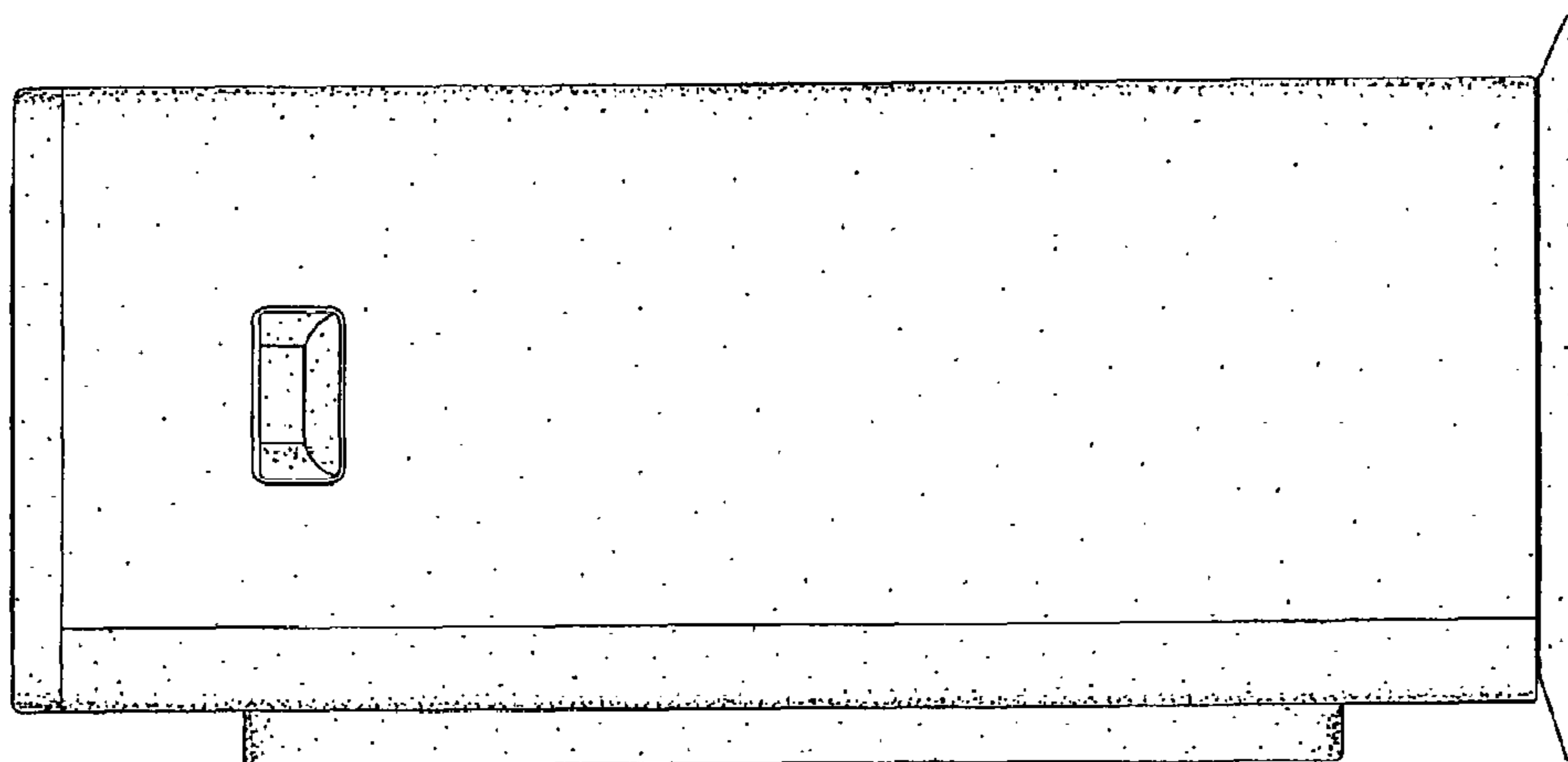


Fig. 3

Fig. 4



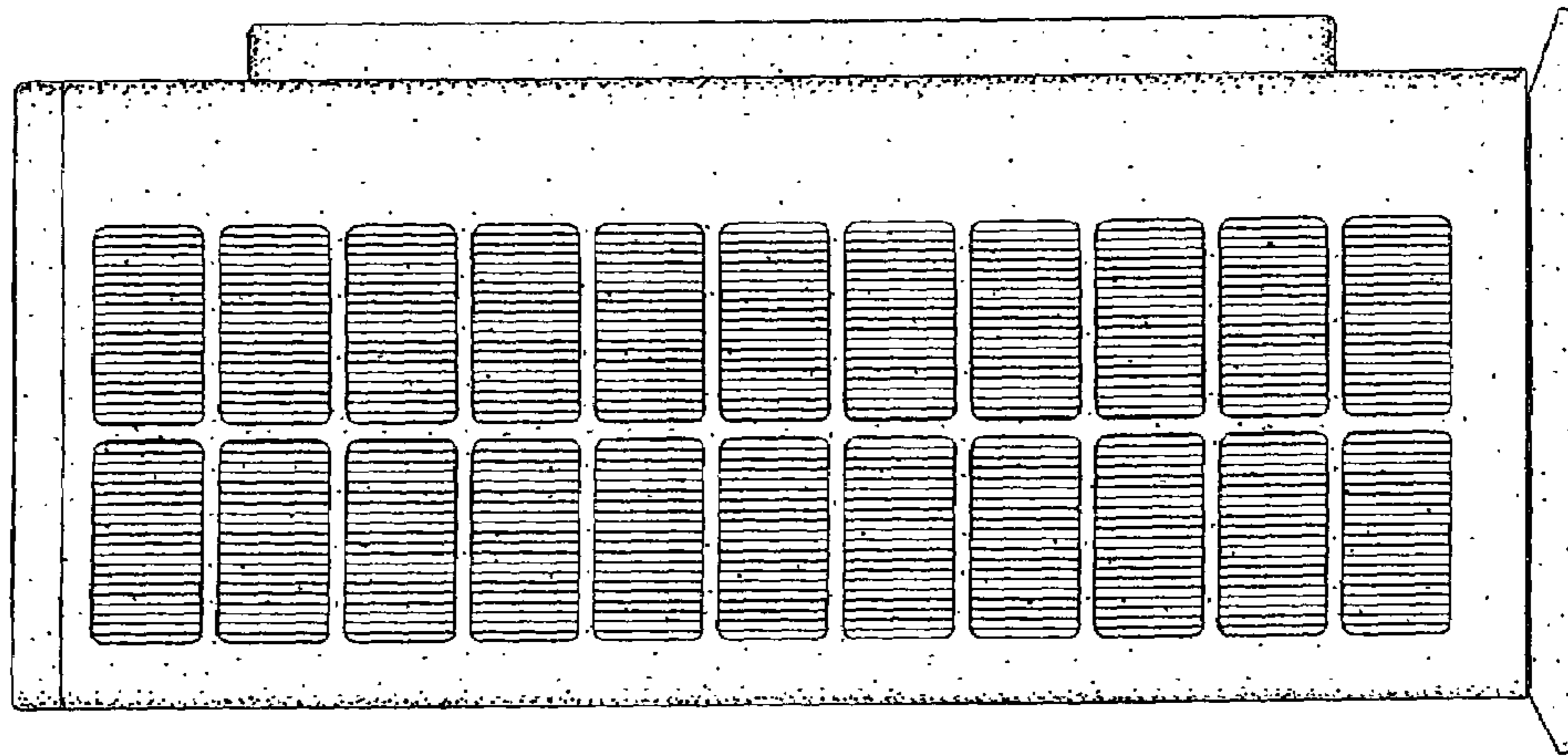


Fig. 5

Fig. 6

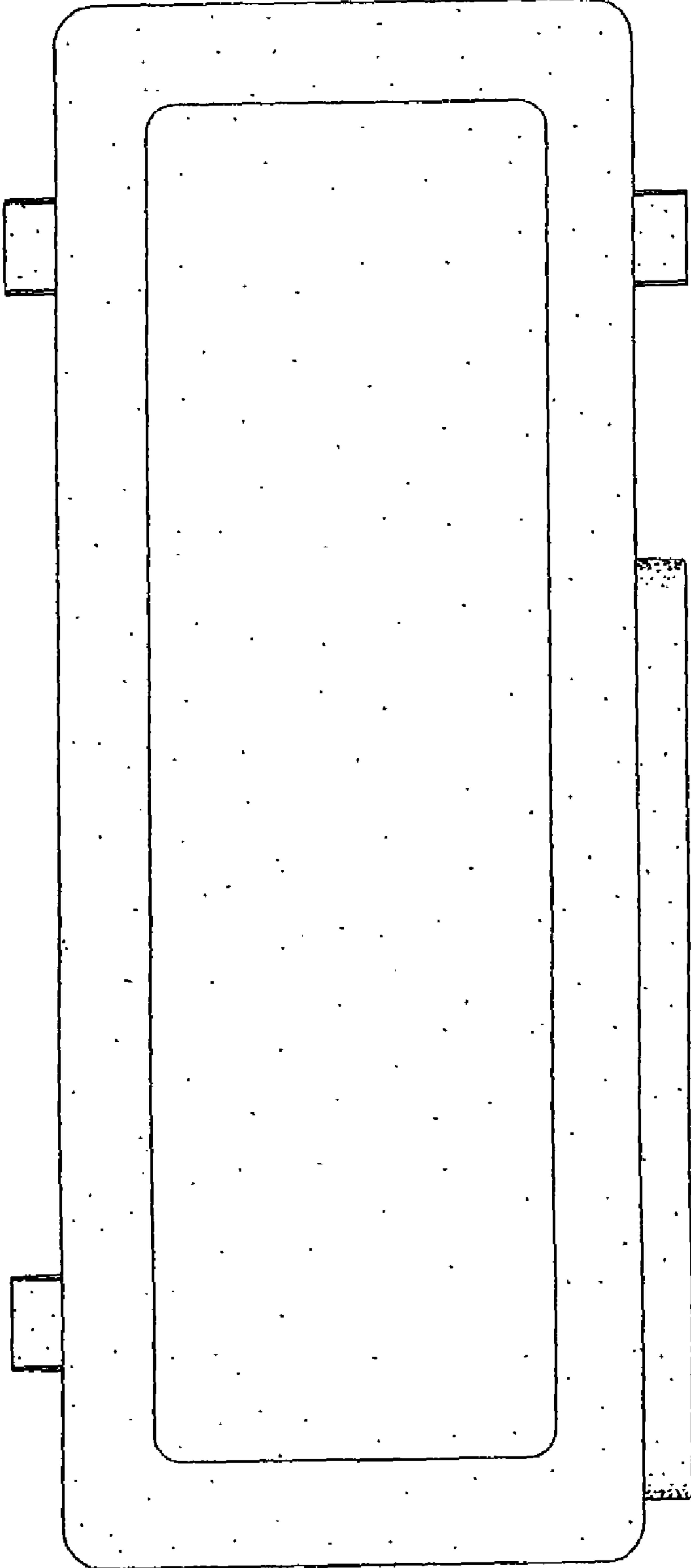


Fig. 7

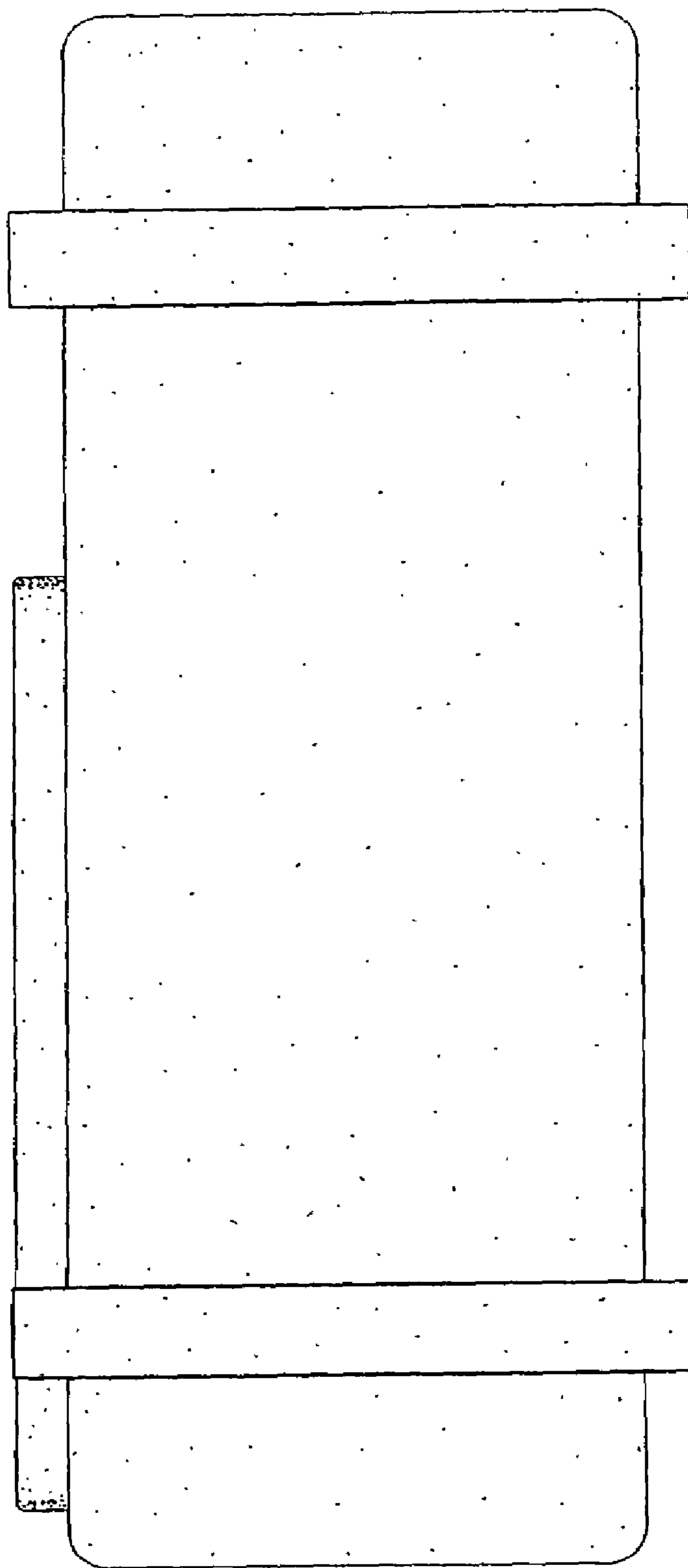


Fig. 8

