



US00D584386S

(12) **United States Design Patent**
Zelko

(10) **Patent No.:** **US D584,386 S**
(45) **Date of Patent:** **** Jan. 6, 2009**

(54) **ELBOW FITTING**

D438,938 S * 3/2001 Cleek D23/263

(75) Inventor: **Richard A. Zelko**, Houston, TX (US)

* cited by examiner

(73) Assignee: **Acute Technological Services, Inc.**,
Houston, TX (US)

Primary Examiner—Cathron Brooks

Assistant Examiner—Michael A Pratt

(74) *Attorney, Agent, or Firm*—Nick A. Nichols

(**) Term: **14 Years**

(21) Appl. No.: **29/299,039**

(22) Filed: **Dec. 18, 2007**

(57) **CLAIM**

The ornamental design for an elbow fitting, as shown and described.

(51) **LOC (9) Cl.** **23-01**

(52) **U.S. Cl.** **D23/263**

(58) **Field of Classification Search** D23/213,
D23/249, 257, 259, 260, 261, 262, 263, 264,
D23/265, 266, 267, 268; 239/428.5; D15/7;
D8/396; 4/675–678; 403/291, 300; 285/1,
285/53, 112, 340, 367, 373, 404, 915; 261/DIG. 22
See application file for complete search history.

DESCRIPTION

FIG. 1 is a perspective view of an elbow fitting showing my new design;

FIG. 2 is a side view thereof;

FIG. 3 is a front view thereof;

FIG. 4 is a back view thereof;

FIG. 5 is a top view thereof;

FIG. 6 is a bottom view thereof; and,

FIG. 7 is a cross section view thereof taken along line 7—7 of FIG. 4.

(56) **References Cited**

U.S. PATENT DOCUMENTS

D197,755 S * 3/1964 Myers D23/247

D197,756 S * 3/1964 Myers D23/248

D258,078 S * 1/1981 Gallagher et al. D23/263

1 Claim, 2 Drawing Sheets

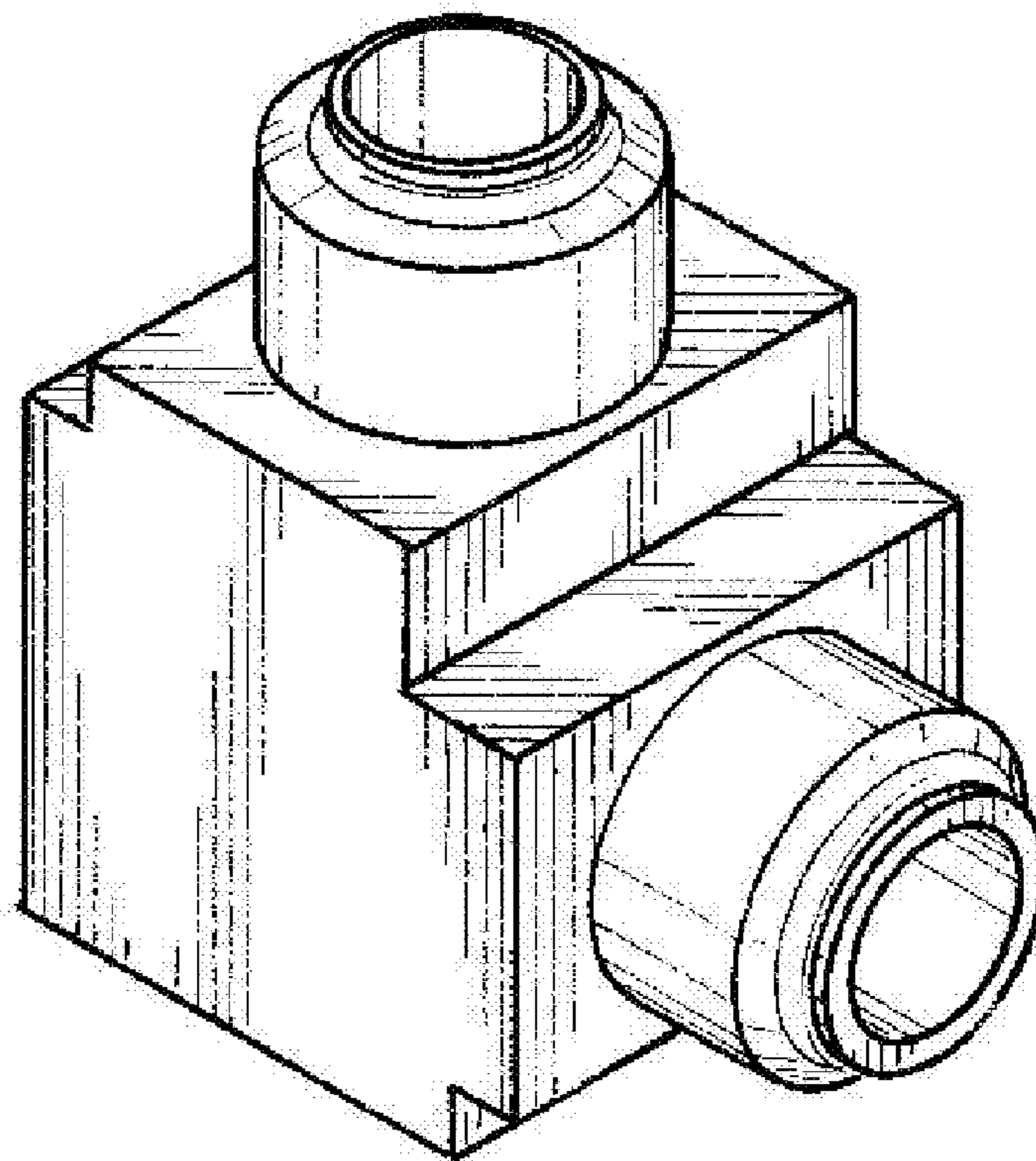


FIG. 1

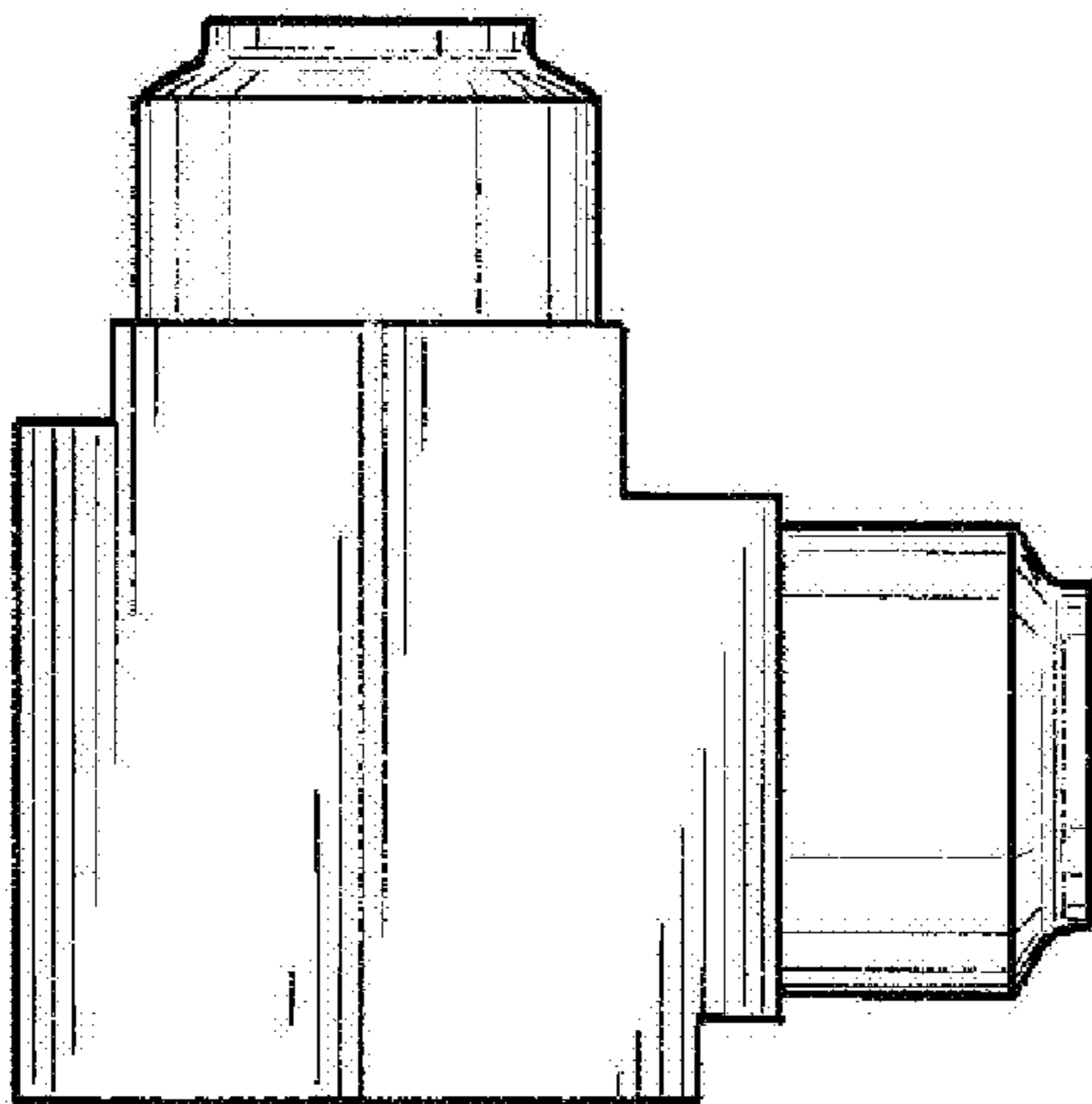
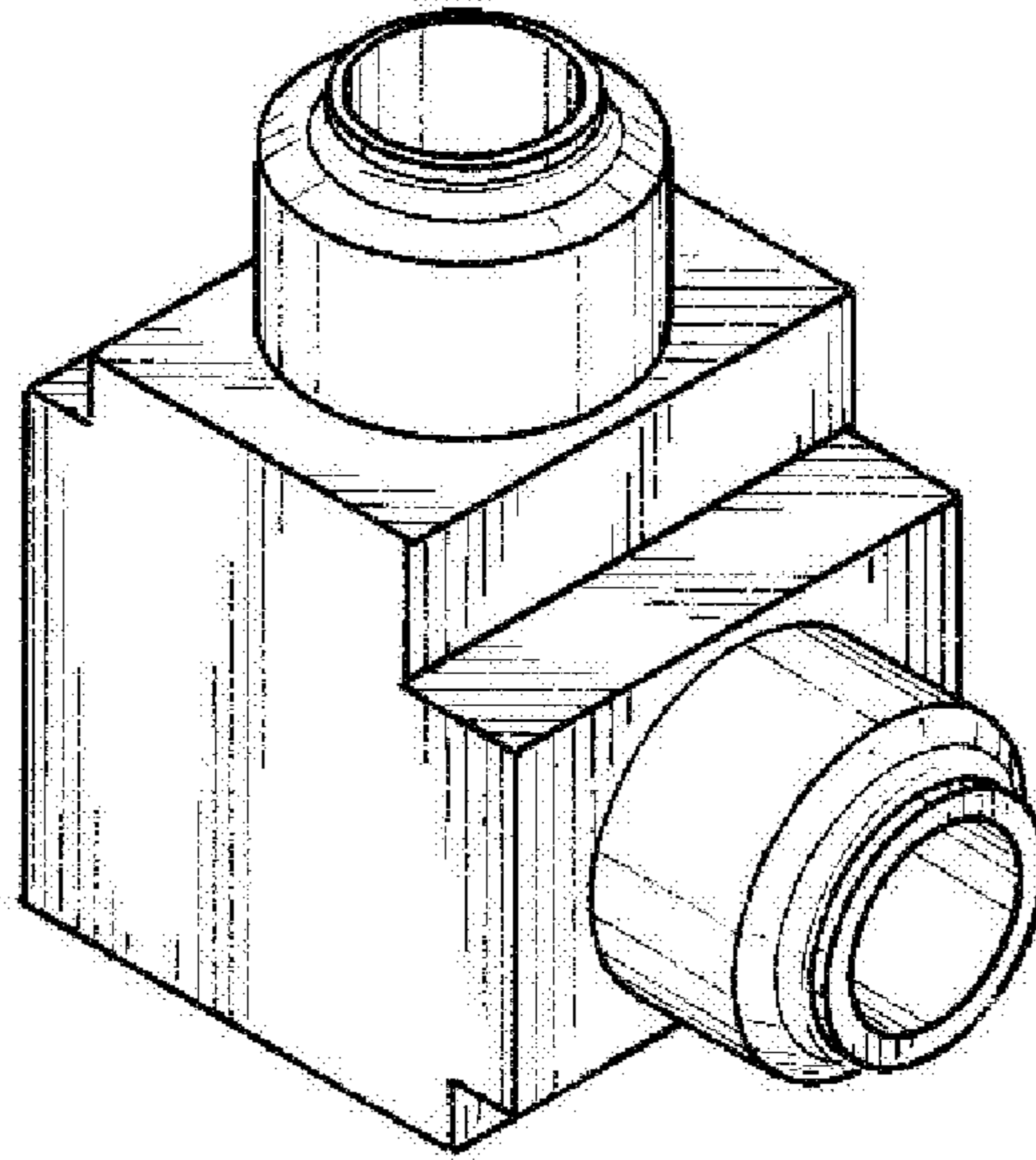


FIG. 2

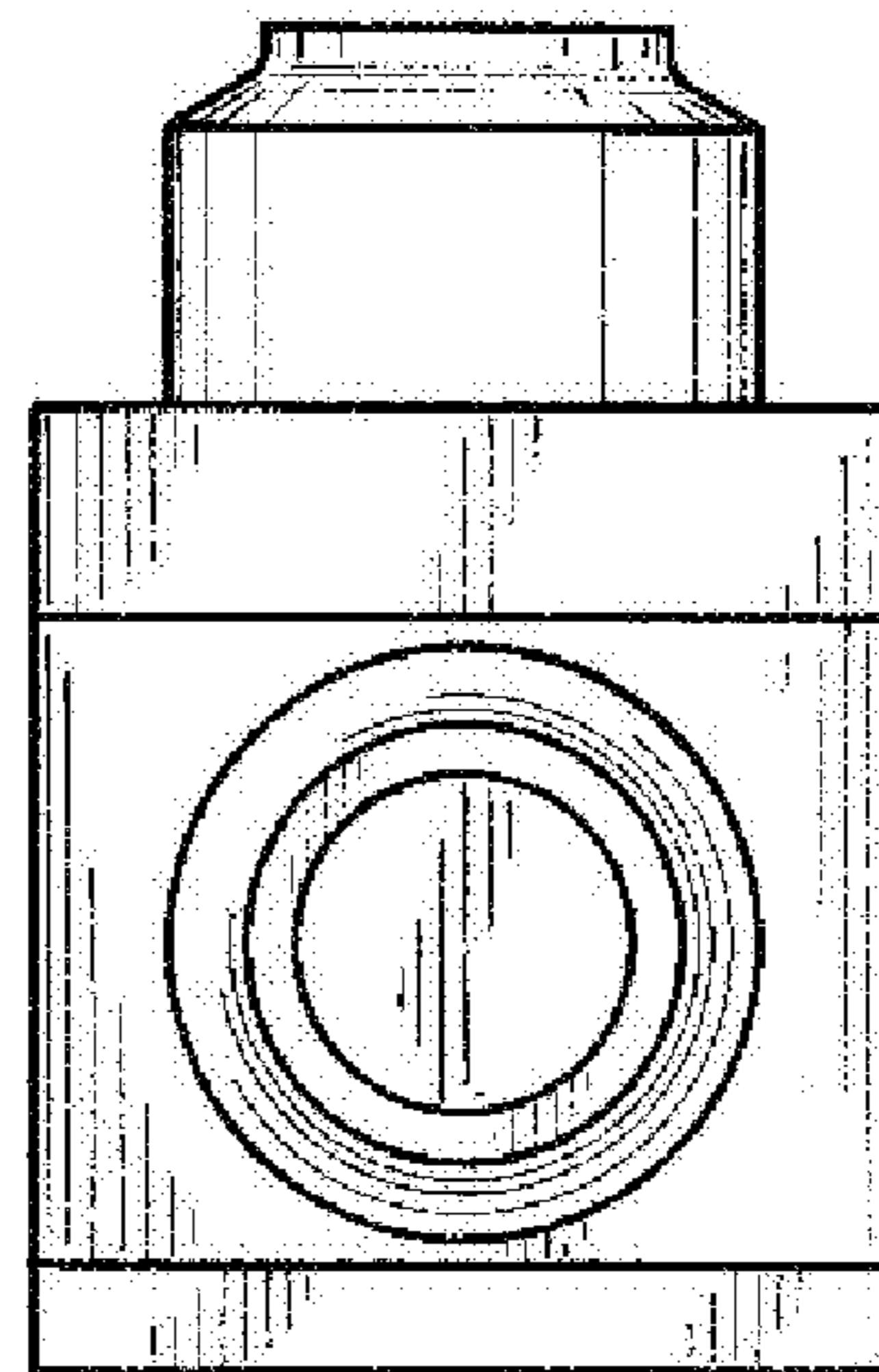


FIG. 3

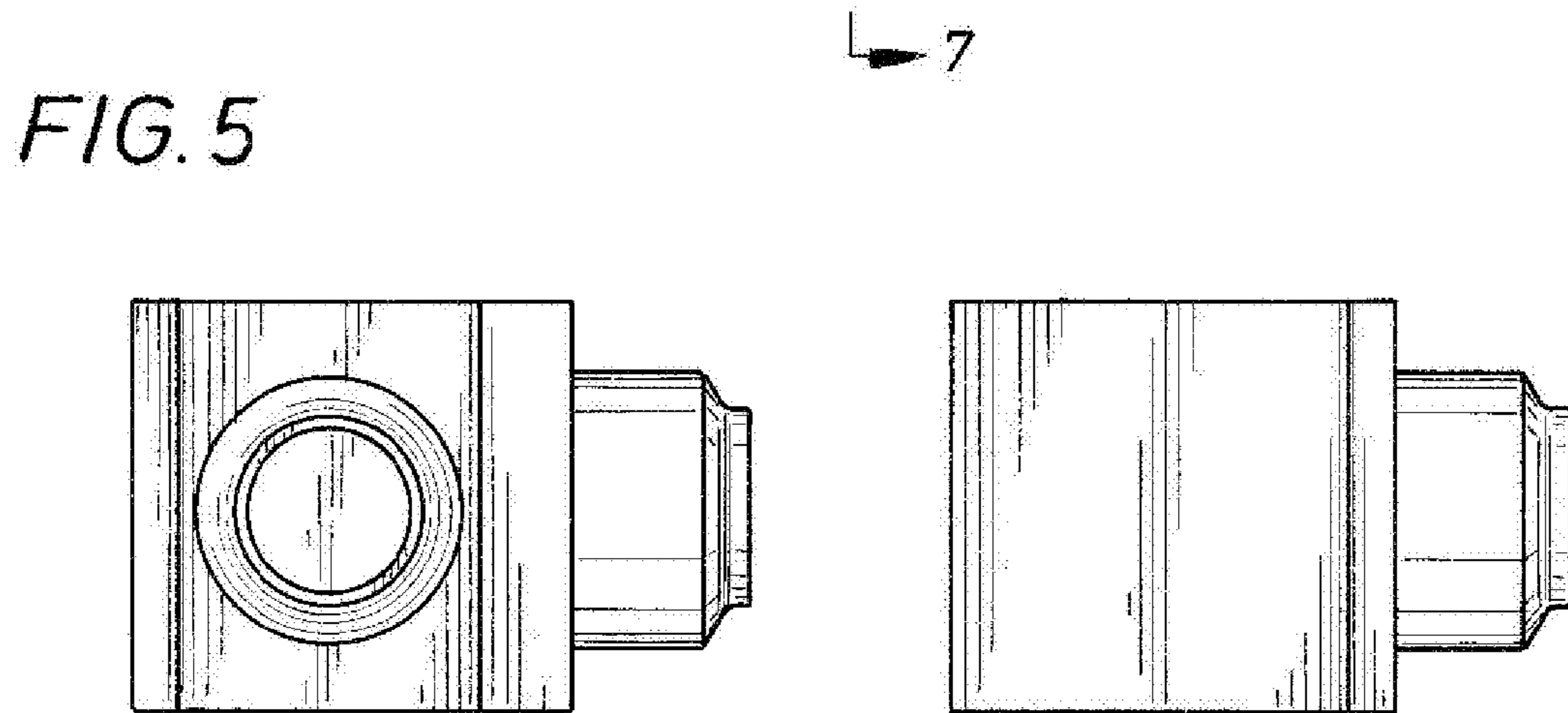
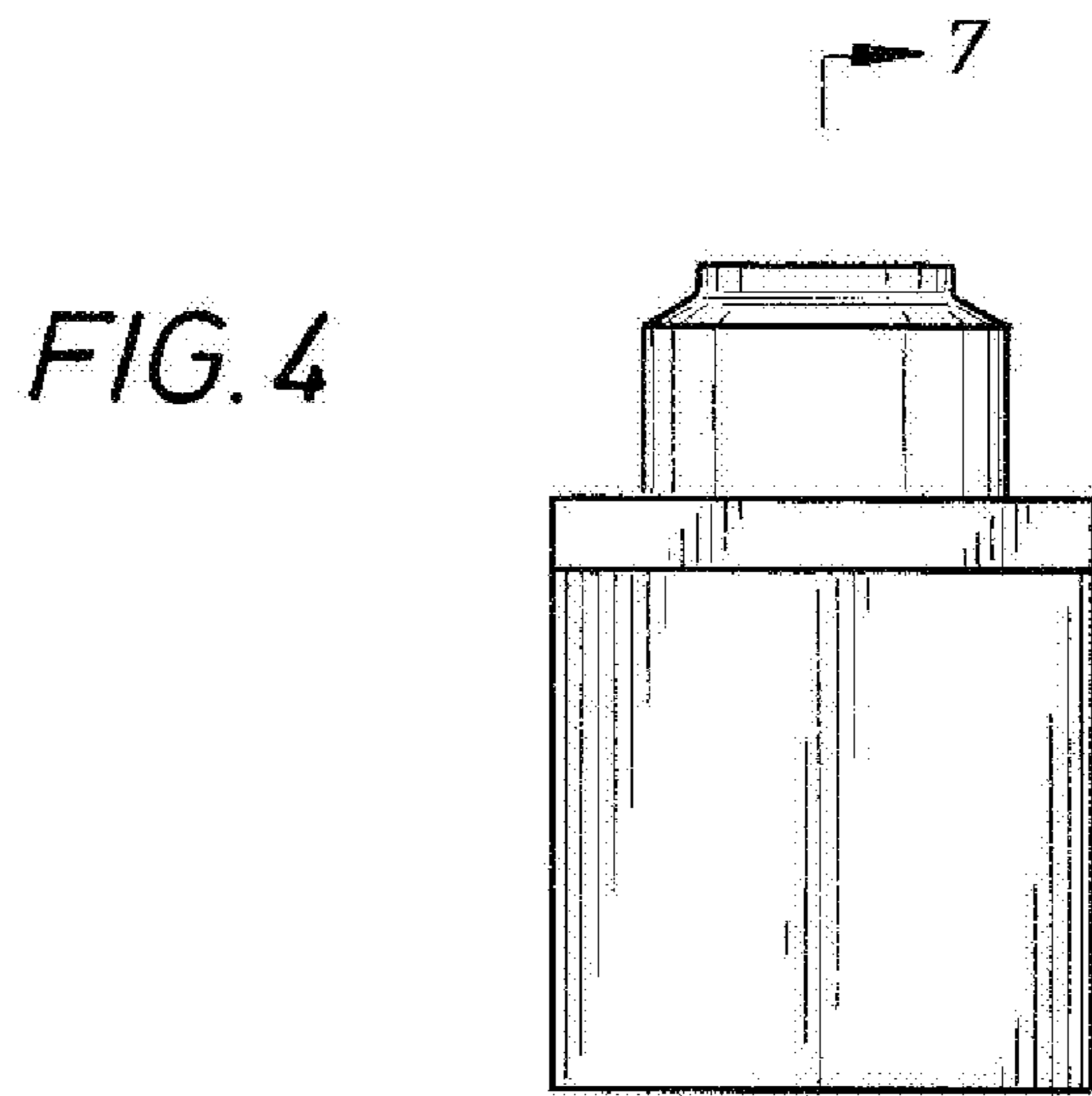


FIG. 6

