



US00D584384S

(12) **United States Design Patent**
Schonherr et al.

(10) **Patent No.:** **US D584,384 S**

(45) **Date of Patent:** **** Jan. 6, 2009**

(54) **KITCHEN OR BATH CONTROL**

(75) Inventors: **Tom Schonherr**, Stuttgart (DE);
Manfred Dorn, Stuttgart (DE)

(73) Assignee: **Hansgrohe AG**, Schiltach (DE)

(**) Term: **14 Years**

(21) Appl. No.: **29/282,122**

(22) Filed: **Jul. 12, 2007**

(30) **Foreign Application Priority Data**

Jan. 15, 2007 (EM) 000652490-0004

(51) **LOC (9) Cl.** **23-01**

(52) **U.S. Cl.** **D23/254**

(58) **Field of Classification Search** D23/238,
D23/241-242, 243, 245, 252, 255, 249, 250,
D23/254; 4/675-678; 137/615, 801, 359;
D8/307-308; 16/110.1

See application file for complete search history.

(56) **References Cited**

U.S. PATENT DOCUMENTS

D345,782 S * 4/1994 Short et al. D23/249

D442,675 S * 5/2001 Burns et al. D23/254

D563,526 S * 3/2008 Bauer D23/249

D573,235 S * 7/2008 Downey D23/254

* cited by examiner

Primary Examiner—Robin V Webster

(74) *Attorney, Agent, or Firm*—Leon E. Redman

(57) **CLAIM**

The ornamental design for a kitchen or bath control, as shown and described.

DESCRIPTION

FIG. 1 is a front perspective view of a kitchen or bath control showing our design;

FIG. 2 is a front elevational view thereof;

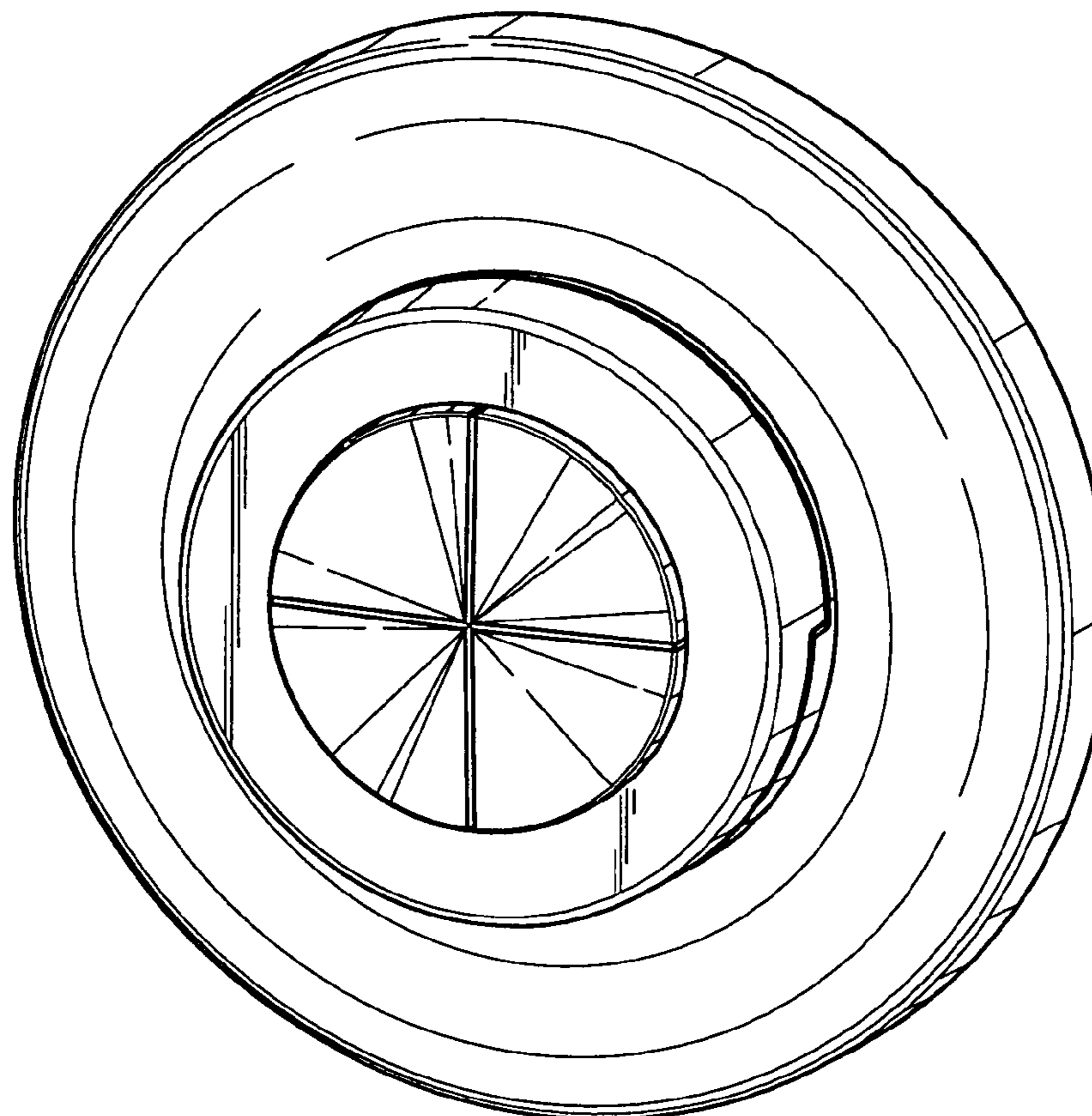
FIG. 3 is a rear elevational view thereof;

FIG. 4 is a left side elevational view thereof; the right side elevational view being a mirror image thereof;

FIG. 5 is a top plan view thereof; and,

FIG. 6 is a bottom plan view thereof.

1 Claim, 6 Drawing Sheets



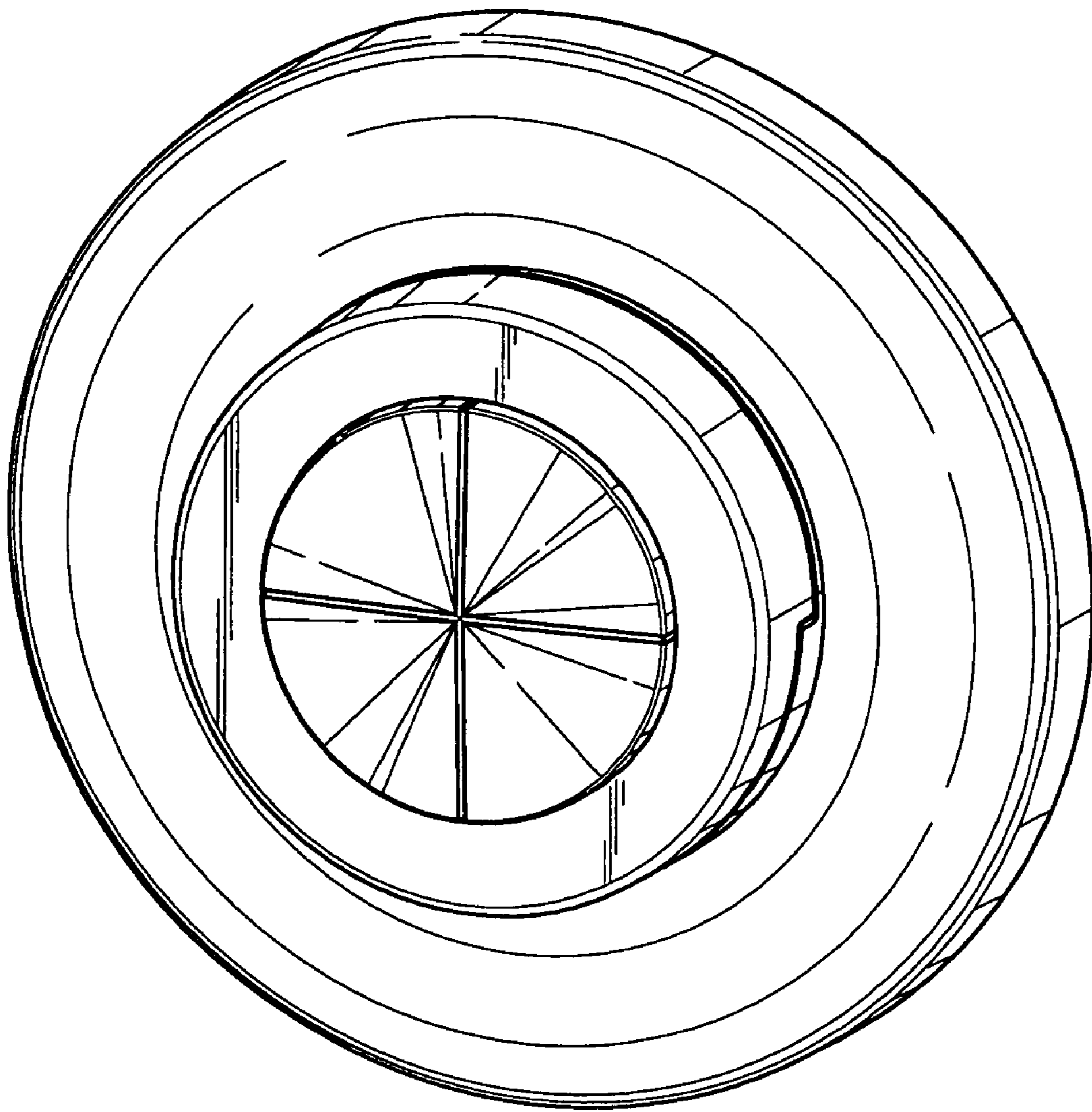


FIG. 1

FIG. 2

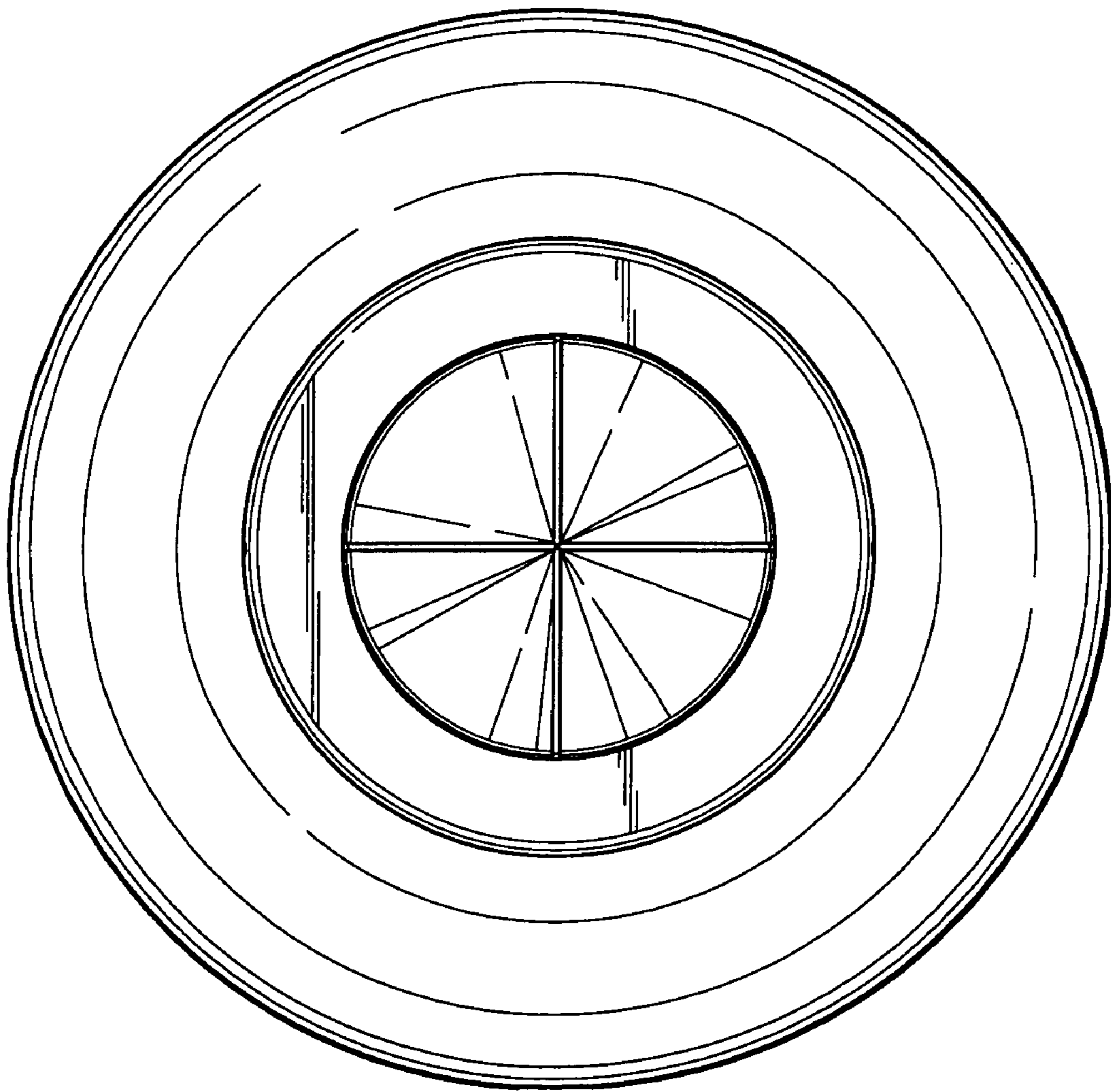


FIG. 3

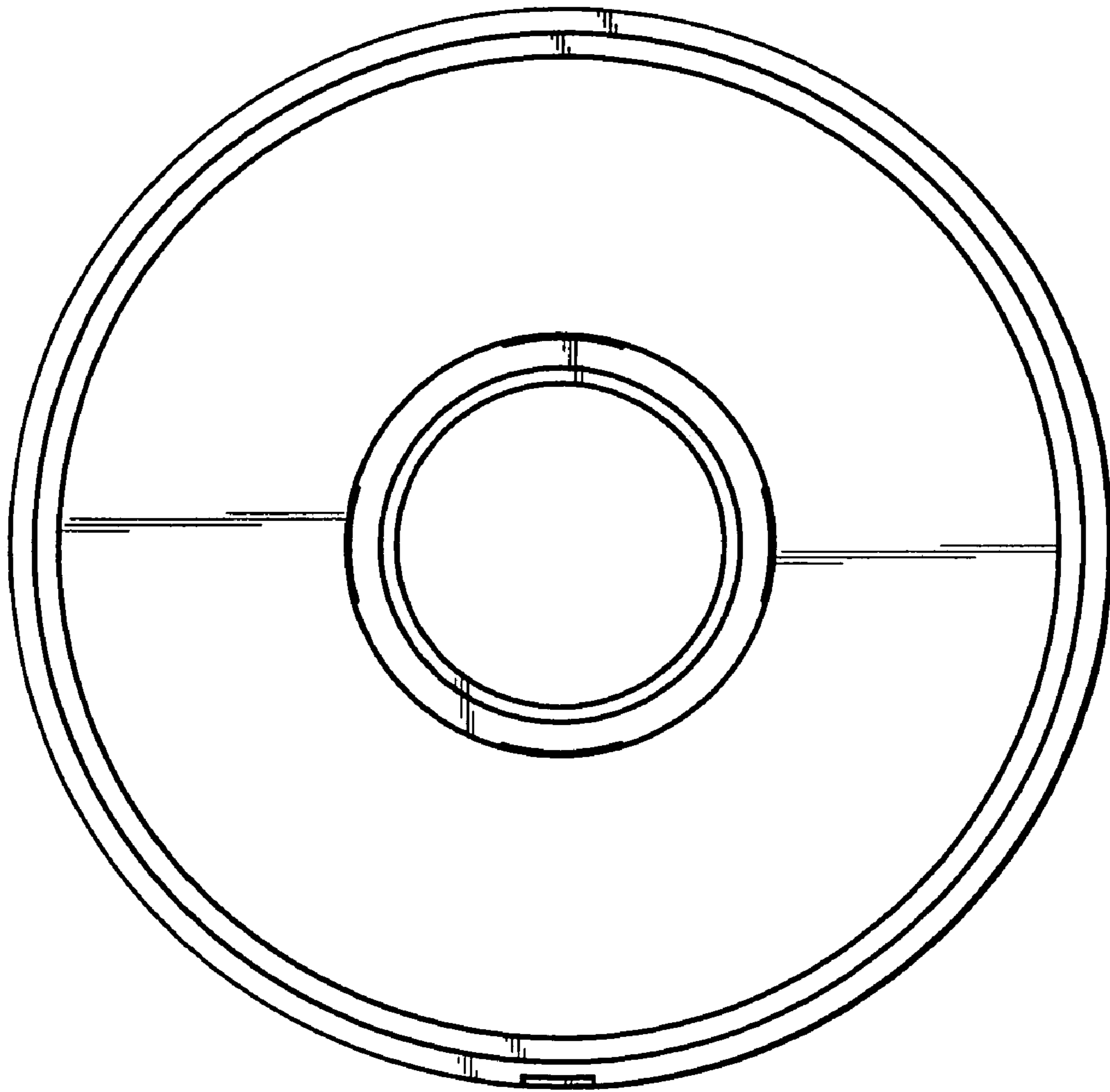


FIG. 4

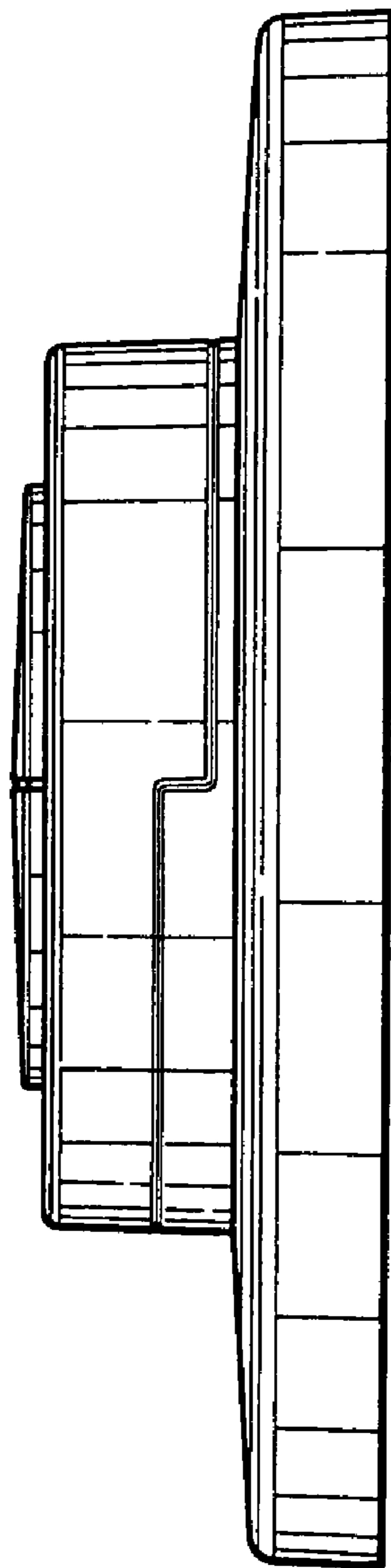


FIG. 5

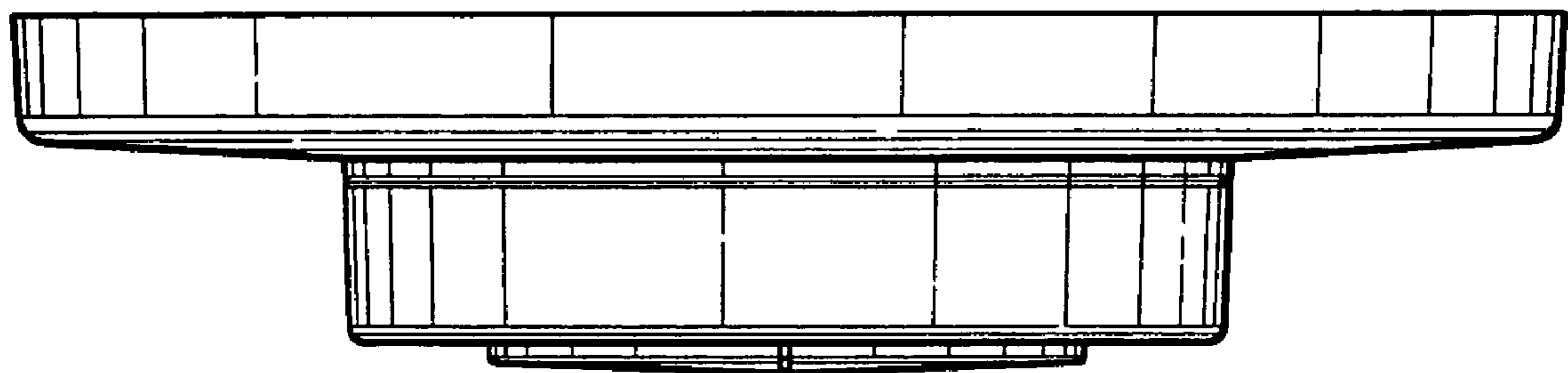


FIG. 6

