



US00D584383S

(12) **United States Design Patent**
Eilmus

(10) **Patent No.:** **US D584,383 S**
(45) **Date of Patent:** **** Jan. 6, 2009**

(54) **PLUMBING FITTING**

(75) Inventor: **Niels J. Eilmus**, Sheboygan, WI (US)

(73) Assignee: **Kohler Co.**, Kohler, WI (US)

(**) Term: **14 Years**

(21) Appl. No.: **29/295,485**

(22) Filed: **Sep. 28, 2007**

(51) **LOC (9) Cl.** **23-01**

(52) **U.S. Cl.** **D23/241**

(58) **Field of Classification Search** D23/200,
D23/238-257; D6/512, 546, 550; D8/300,
D8/307-308, 310-312, 321; 4/675-678;
137/801; 16/110.1, 441

See application file for complete search history.

(56) **References Cited**

U.S. PATENT DOCUMENTS

D65,364 S *	8/1924	Brickley	D23/240
D77,023 S *	11/1928	Mueller	D23/240
D141,718 S *	6/1945	Blank	D23/240
D147,404 S *	9/1947	Fitter et al.	D23/240
D149,388 S *	4/1948	Stratmore	D23/240
D490,142 S *	5/2004	Ouyoung	D23/239
D497,197 S *	10/2004	Warshawsky	D23/241
D509,882 S *	9/2005	Find et al.	D23/238
D512,127 S *	11/2005	Egee	D23/242
D522,617 S *	6/2006	Egee	D23/241
D541,382 S	4/2007	Hoernig		
D541,910 S	5/2007	Gilbert		

OTHER PUBLICATIONS

Rohl. "Wall Mount Bridge". Model No. A1423LP. Lasales.com online catalog. Copyright 1999, 2006 KitchenBath.com/L.A. Sales, Inc.

* cited by examiner

Primary Examiner—Robert A. Delehanty

Assistant Examiner—Mark Cavanna

(74) *Attorney, Agent, or Firm*—Quarles & Brady LLP

(57) **CLAIM**

The ornamental design for a plumbing fitting, as shown and described.

DESCRIPTION

In a preferred embodiment, the nature of this product is a plumbing fitting in the form of a faucet used to wash various items.

FIG. 1 is a right, top, front perspective view of a plumbing fitting according to my new design;

FIG. 2 is a front elevational view thereof;

FIG. 3 is a right side elevational view thereof, the left side elevational view thereof being a mirror image of the right side shown;

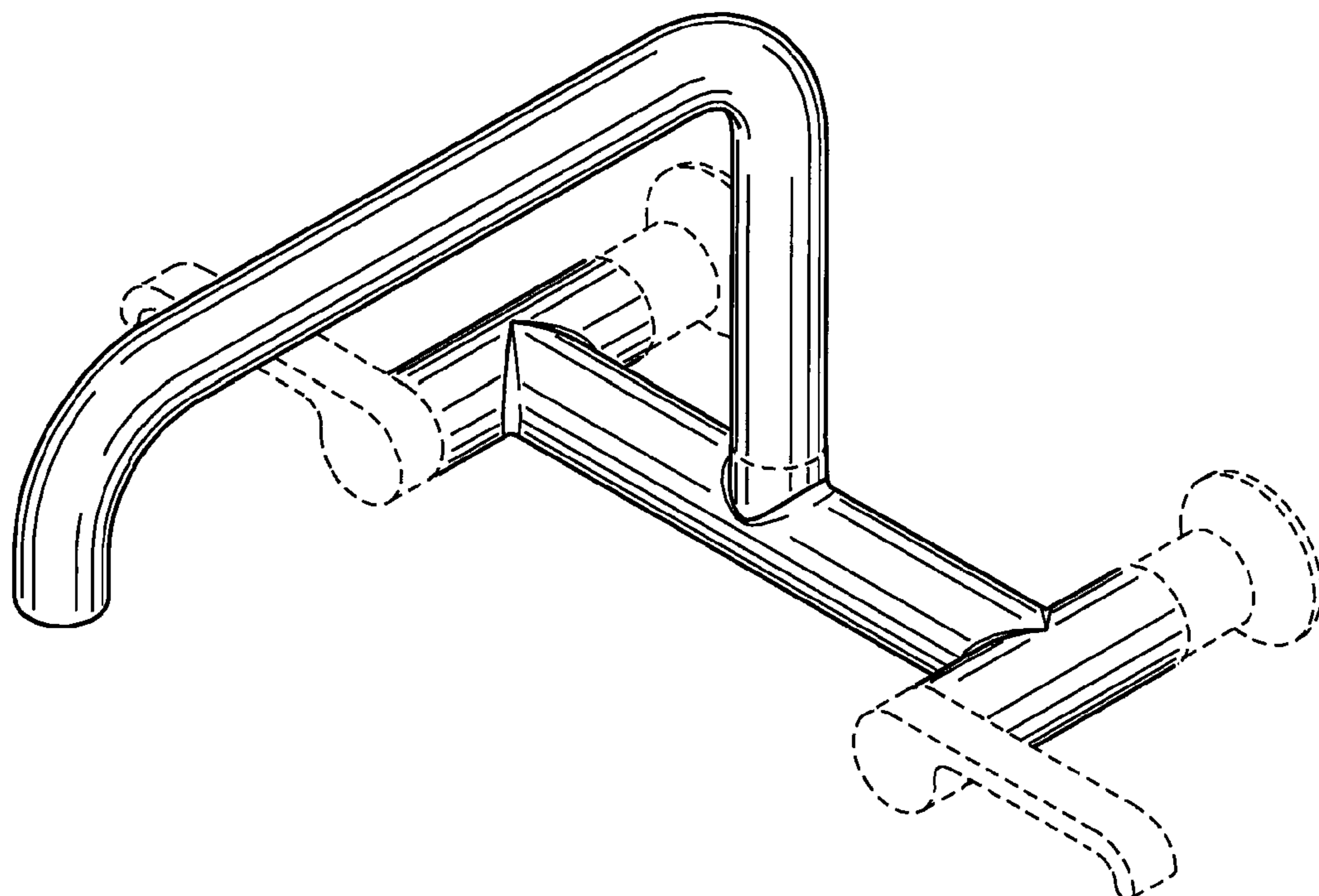
FIG. 4 is a top plan view thereof;

FIG. 5 is a rear elevational view thereof; and,

FIG. 6 is a bottom plan view thereof.

The broken line representations in the figures are for the purpose of illustration only, and form no part of the claimed design.

1 Claim, 4 Drawing Sheets



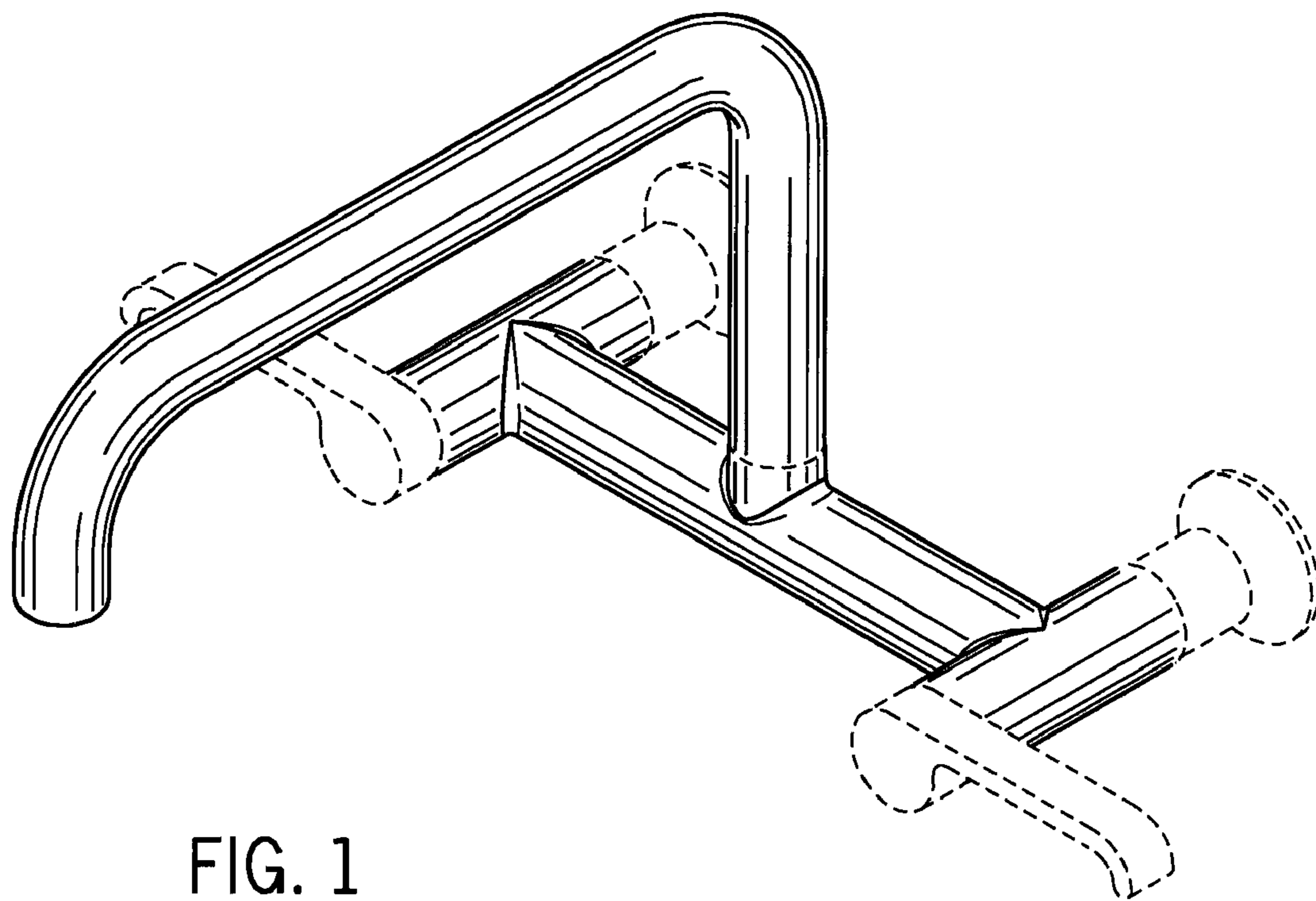


FIG. 1

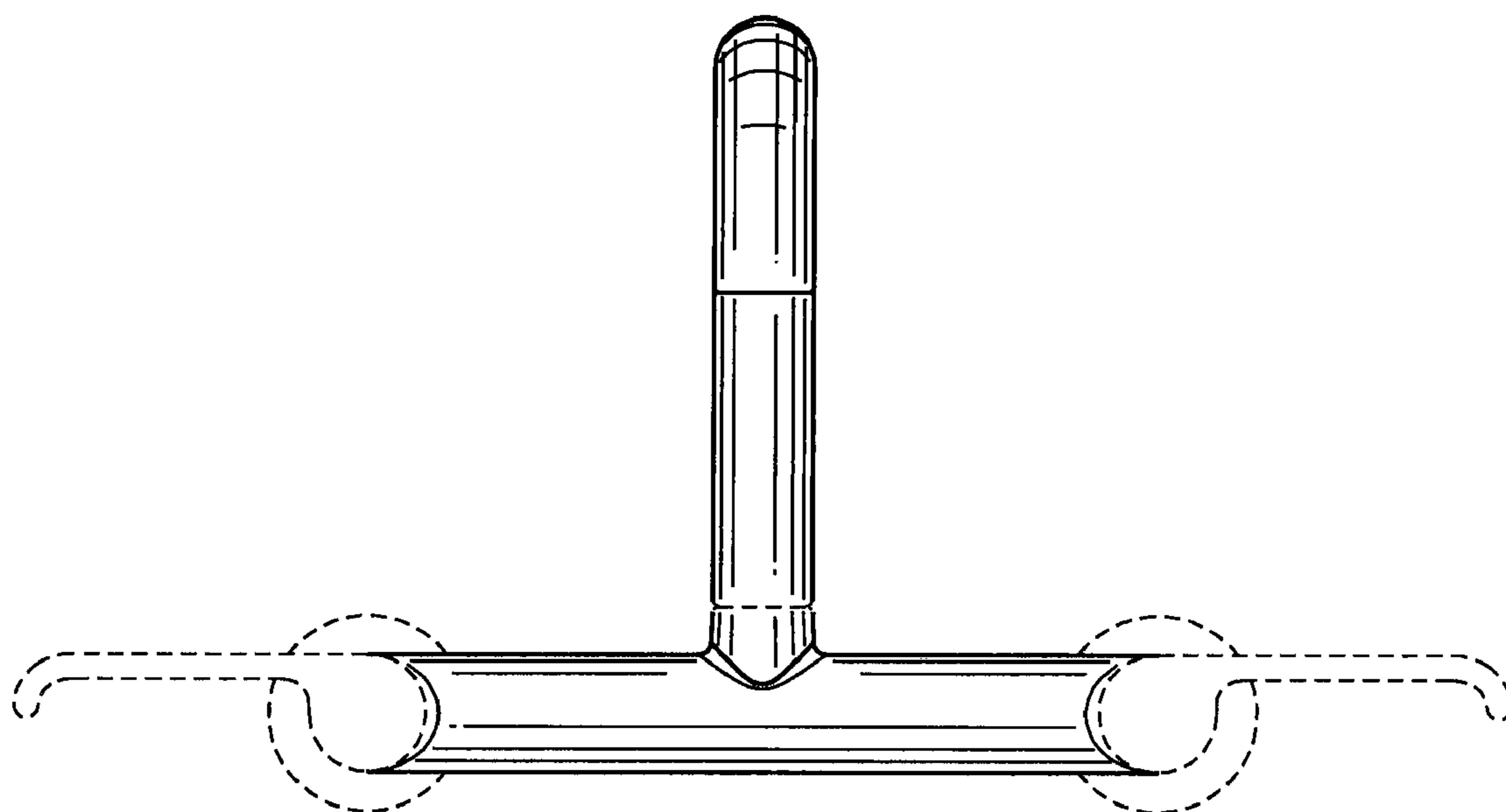
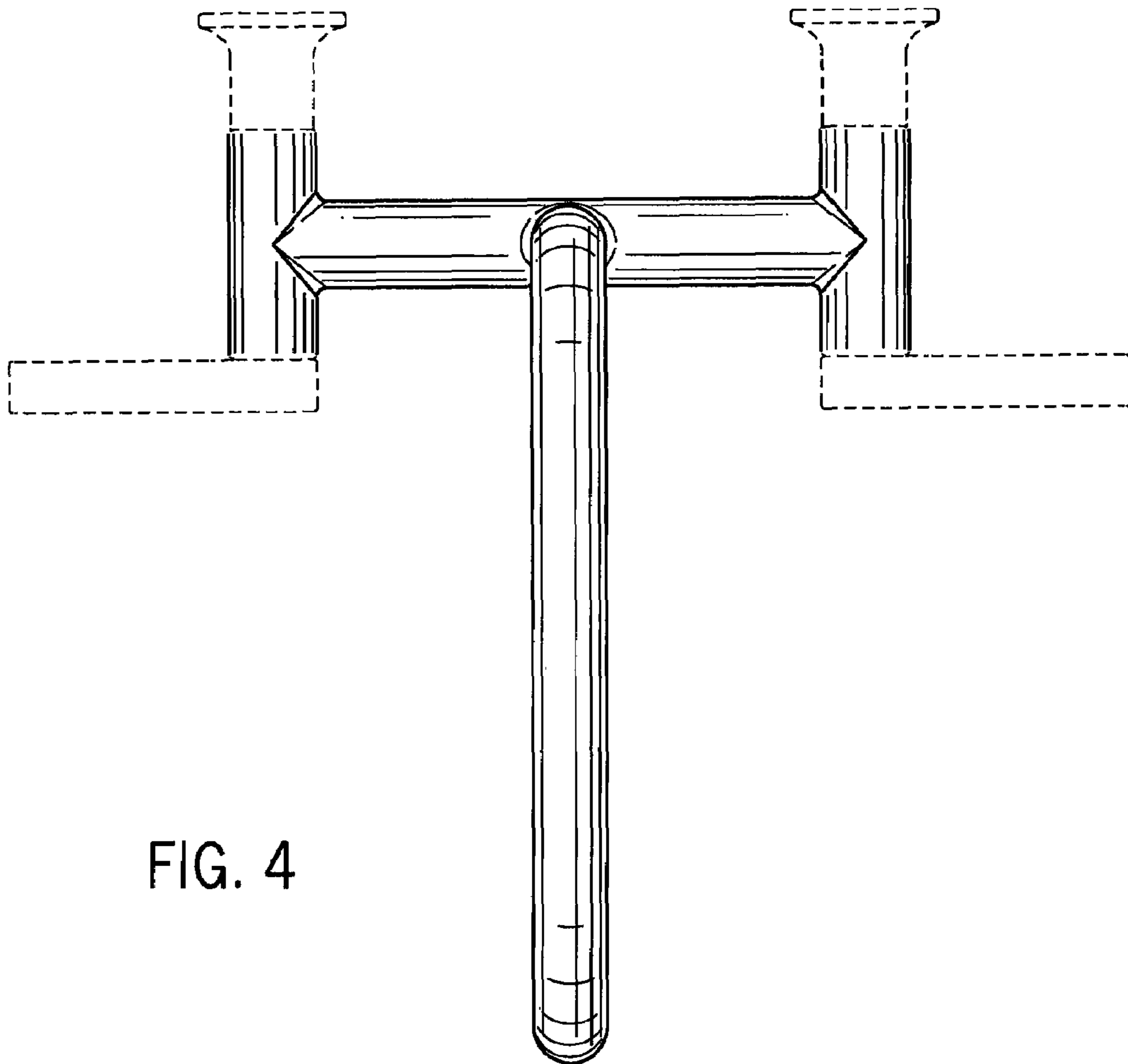
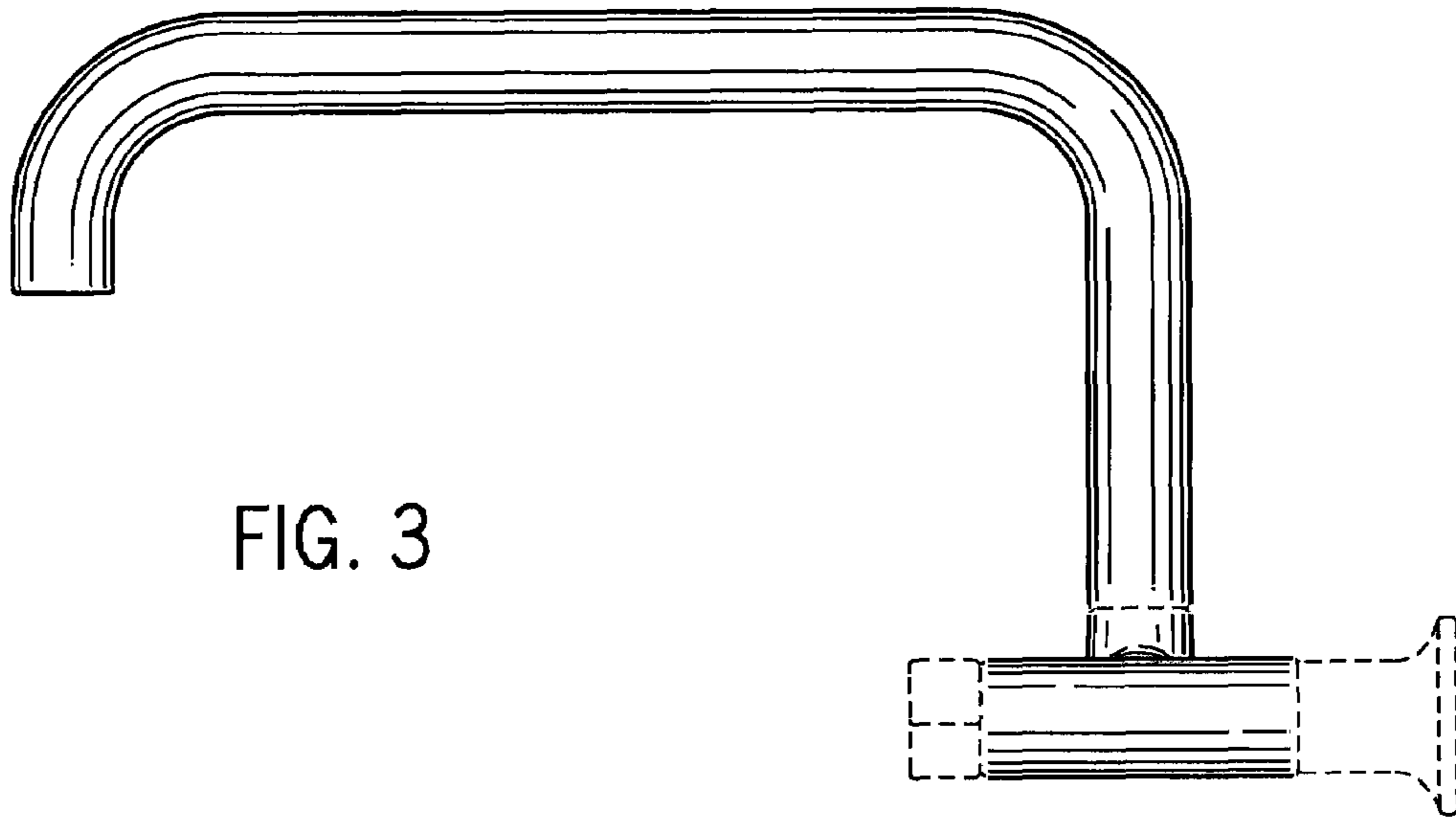


FIG. 2



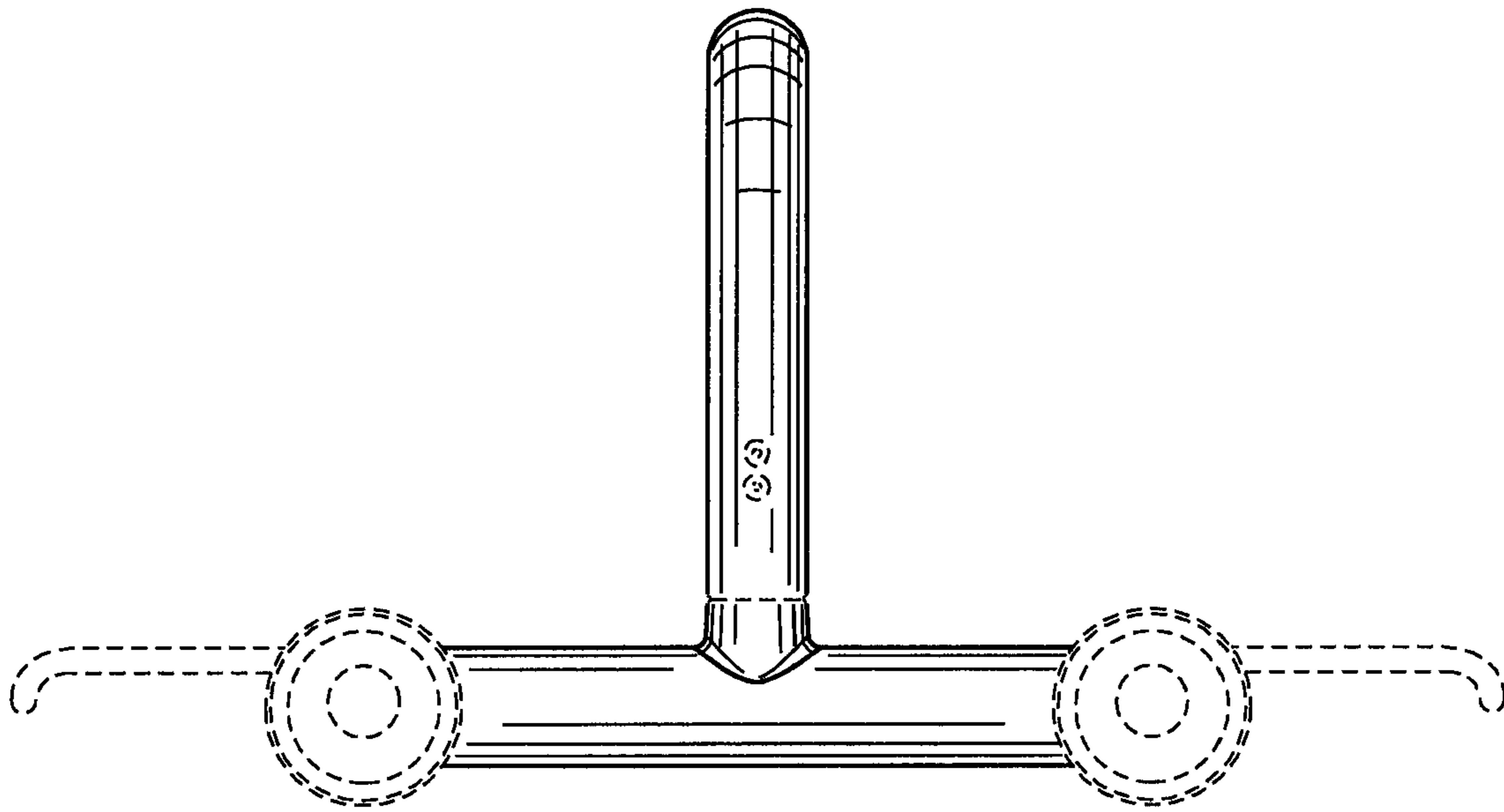


FIG. 5

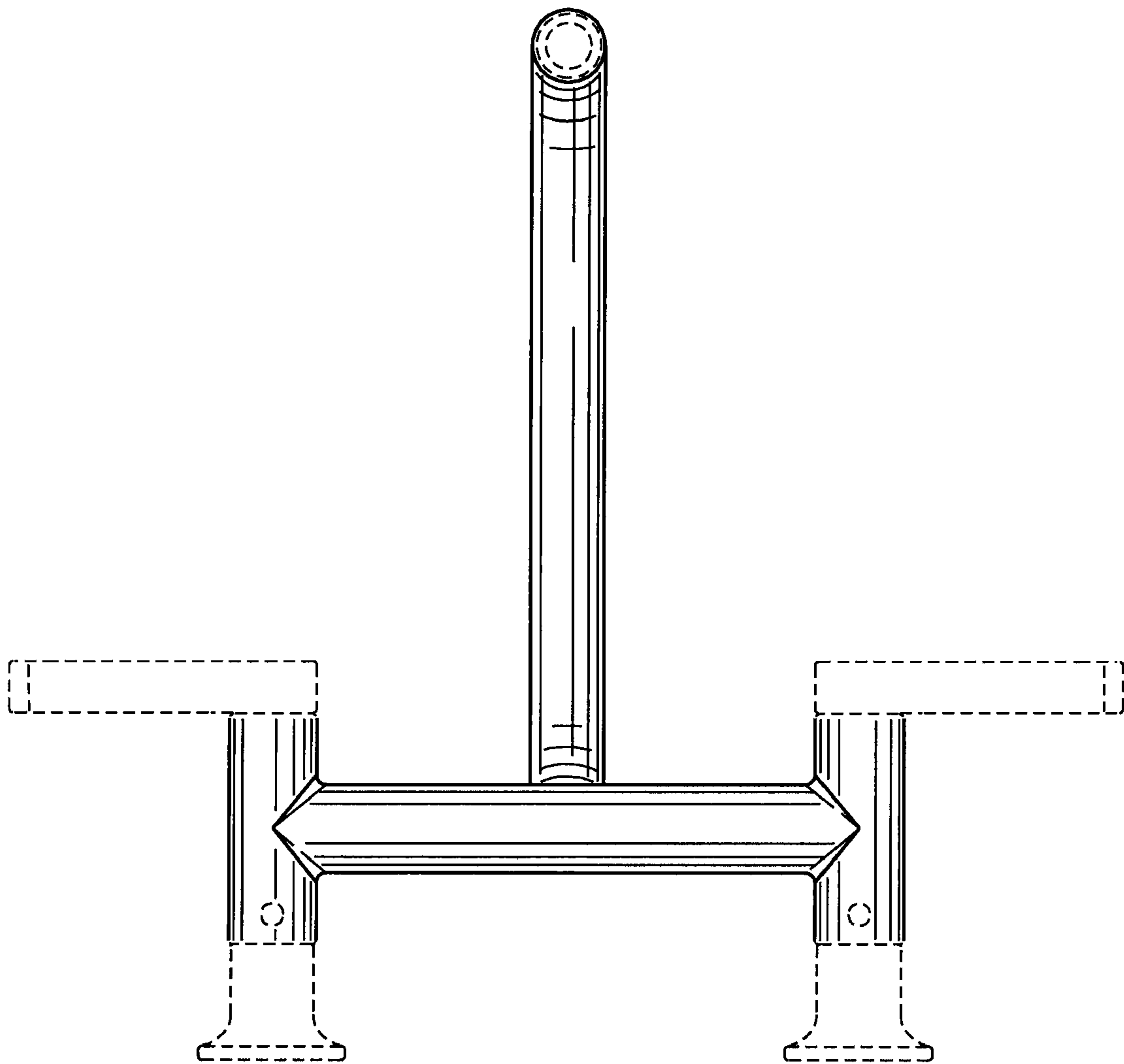


FIG. 6