



US00D584382S

(12) **United States Design Patent**  
**Zanella et al.**

(10) **Patent No.:** **US D584,382 S**

(45) **Date of Patent:** **\*\* Jan. 6, 2009**

(54) **AIR-GAS MIXER FOR A VALVE UNIT**

(75) Inventors: **Stefano Zanella**, Montebelluna (IT);  
**Luca Peron**, Borgoricco (IT)

(73) Assignee: **Sit la Precisa S.p.A.**, Padua (IT)

(\*\*) Term: **14 Years**

(21) Appl. No.: **29/234,896**

(22) Filed: **Jul. 25, 2005**

(30) **Foreign Application Priority Data**

Jan. 25, 2005 (EM) ..... 000285838  
Mar. 14, 2005 (EM) ..... 000309653

(51) **LOC (9) Cl.** ..... **23-01**

(52) **U.S. Cl.** ..... **D23/233**

(58) **Field of Classification Search** ..... D23/233-237,  
D23/244-249, 204-206, 213, 255-260; 137/460,  
137/468, 498; 251/223, 233, 288, 315.14,  
251/309, 335.3, 14; 60/737, 748; 48/180.1,  
48/189.4, 189.5; 123/525, 527, 590  
See application file for complete search history.

(56) **References Cited**

**U.S. PATENT DOCUMENTS**

1,367,201 A \* 2/1921 Niedergang et al. .... 48/189.5  
2,785,742 A \* 3/1957 Lovett ..... 48/180.1  
3,132,009 A \* 5/1964 Boyd ..... 48/180.1  
4,991,561 A \* 2/1991 Gerassimov et al. .... 123/527  
5,450,724 A \* 9/1995 Kesseli et al. .... 60/737  
D409,725 S \* 5/1999 Ito et al. .... D23/235  
D416,076 S \* 11/1999 Okitsu ..... D23/235  
D449,093 S \* 10/2001 Engelbrektsson et al. .. D23/235  
6,571,559 B1 \* 6/2003 Fortuna et al. .... 60/748

D519,188 S \* 4/2006 Hay ..... D23/233

\* cited by examiner

*Primary Examiner*—Ian Simmons

*Assistant Examiner*—Maurice Stevens

(74) *Attorney, Agent, or Firm*—RatnerPrestia

(57) **CLAIM**

The ornamental design for an air-gas mixer for a valve unit, as shown and described.

**DESCRIPTION**

FIG. 1 is a perspective view from the bottom right of an air-gas mixer of a valve unit;

FIG. 2 is a perspective view from the top right of the air-gas mixer of FIG. 1;

FIG. 3 is a perspective view from the top left of the air-gas mixer of FIG. 1;

FIG. 4 is a perspective view from the bottom left of the air-gas mixer of FIG. 1;

FIG. 5 is a bottom plan view of the air-gas mixer of FIG. 1;

FIG. 6 is an elevation view from the back side of the air-gas mixer of FIG. 1;

FIG. 7 is a top plan view of the air-gas mixer of FIG. 1;

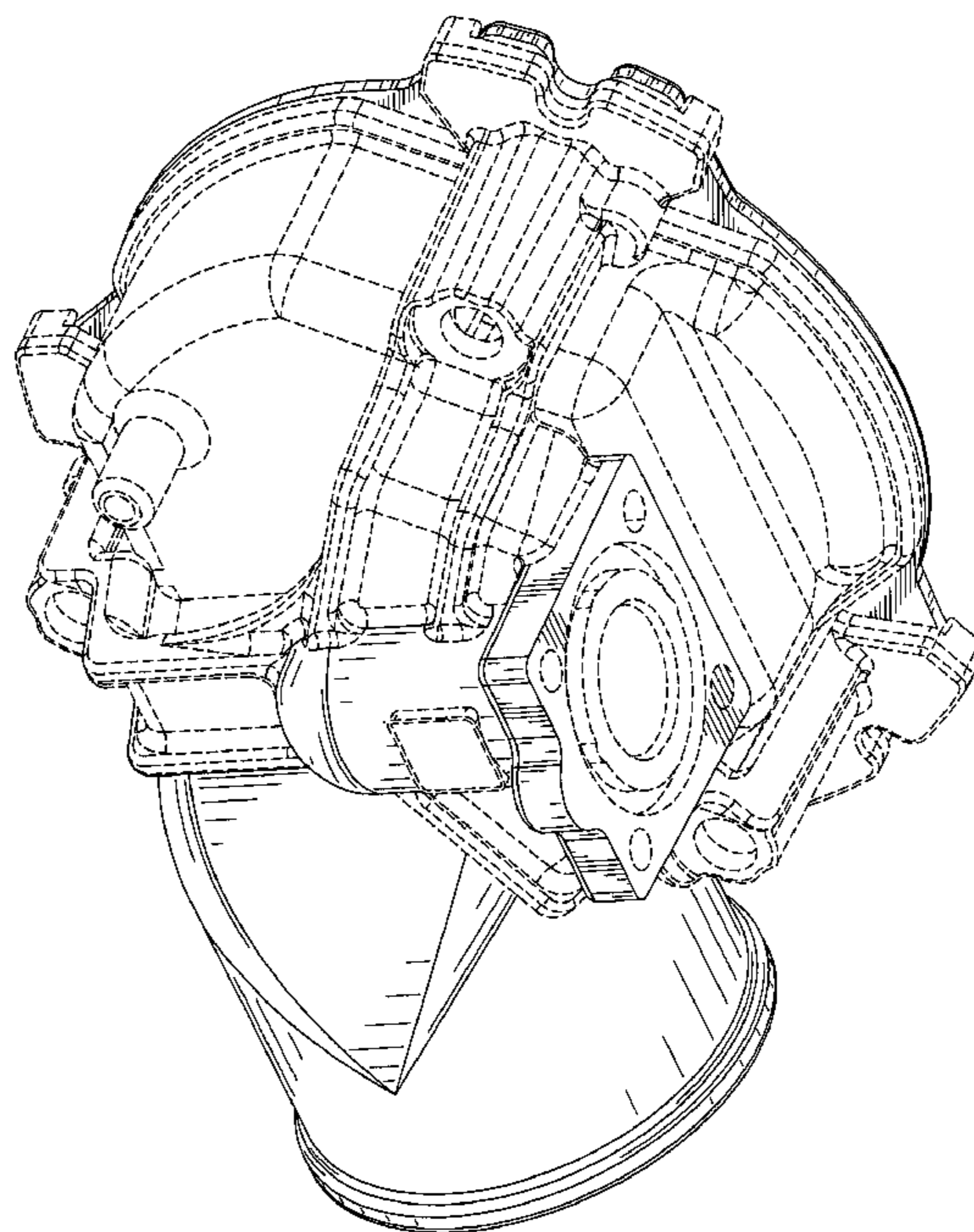
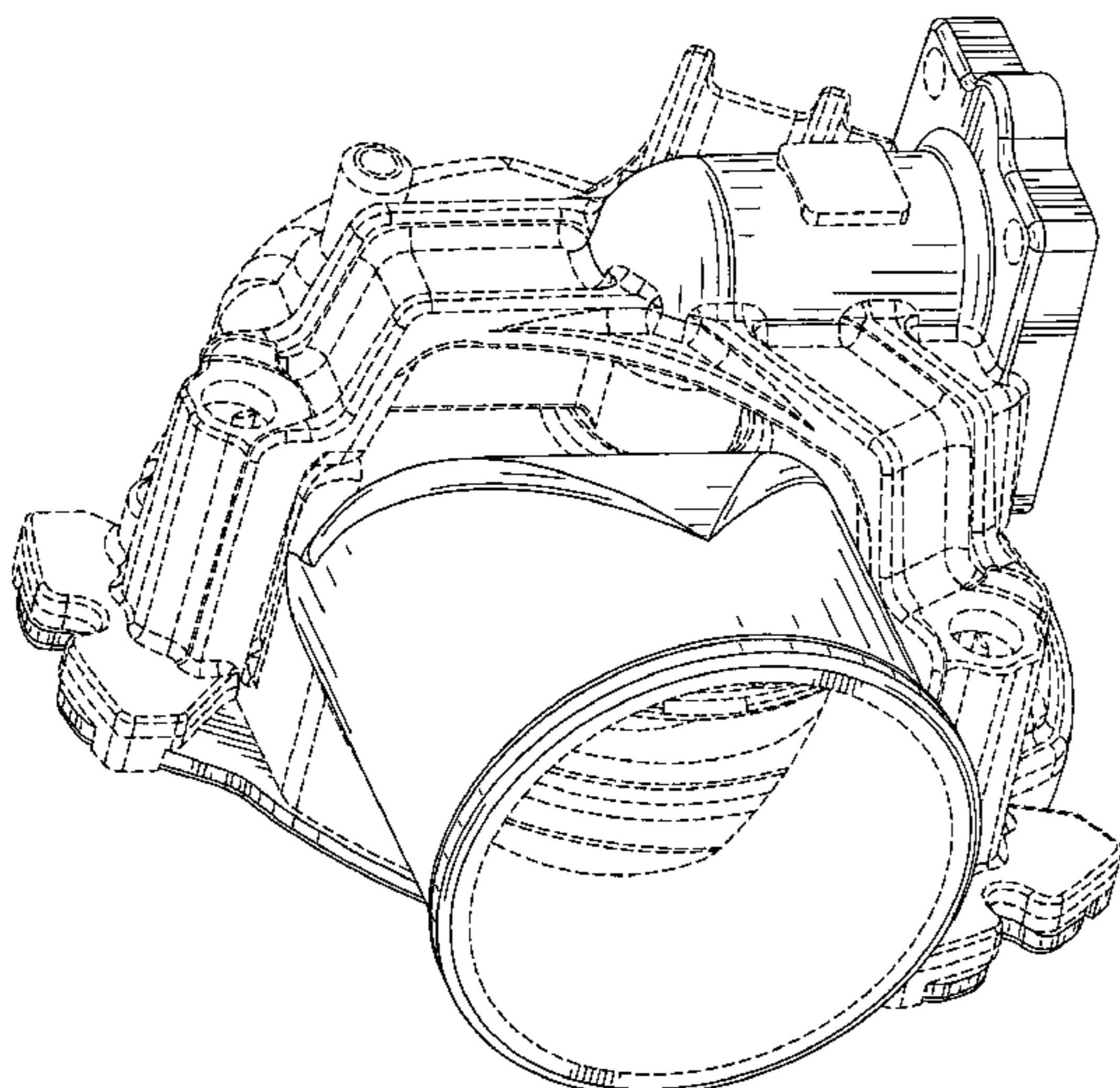
FIG. 8 is a front elevation view of the air-gas mixer of FIG. 1;

FIG. 9 is an elevation view from the left side of the air-gas mixer of FIG. 1; and,

FIG. 10 is an elevation view from the right side of the air-gas mixer of FIG. 1.

The broken lines are for illustration only and form no part of the claimed design.

**1 Claim, 10 Drawing Sheets**



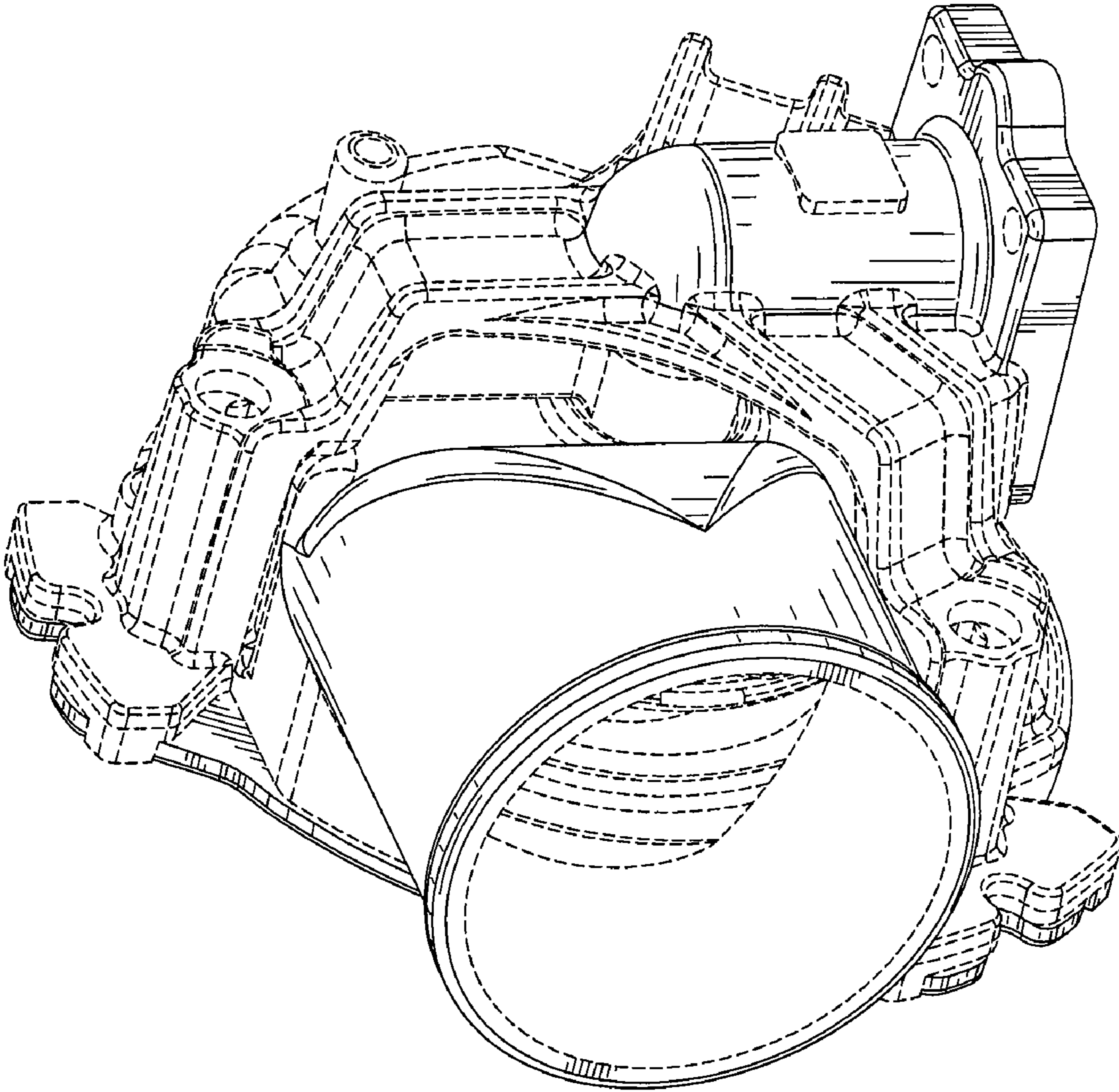


FIG. 1



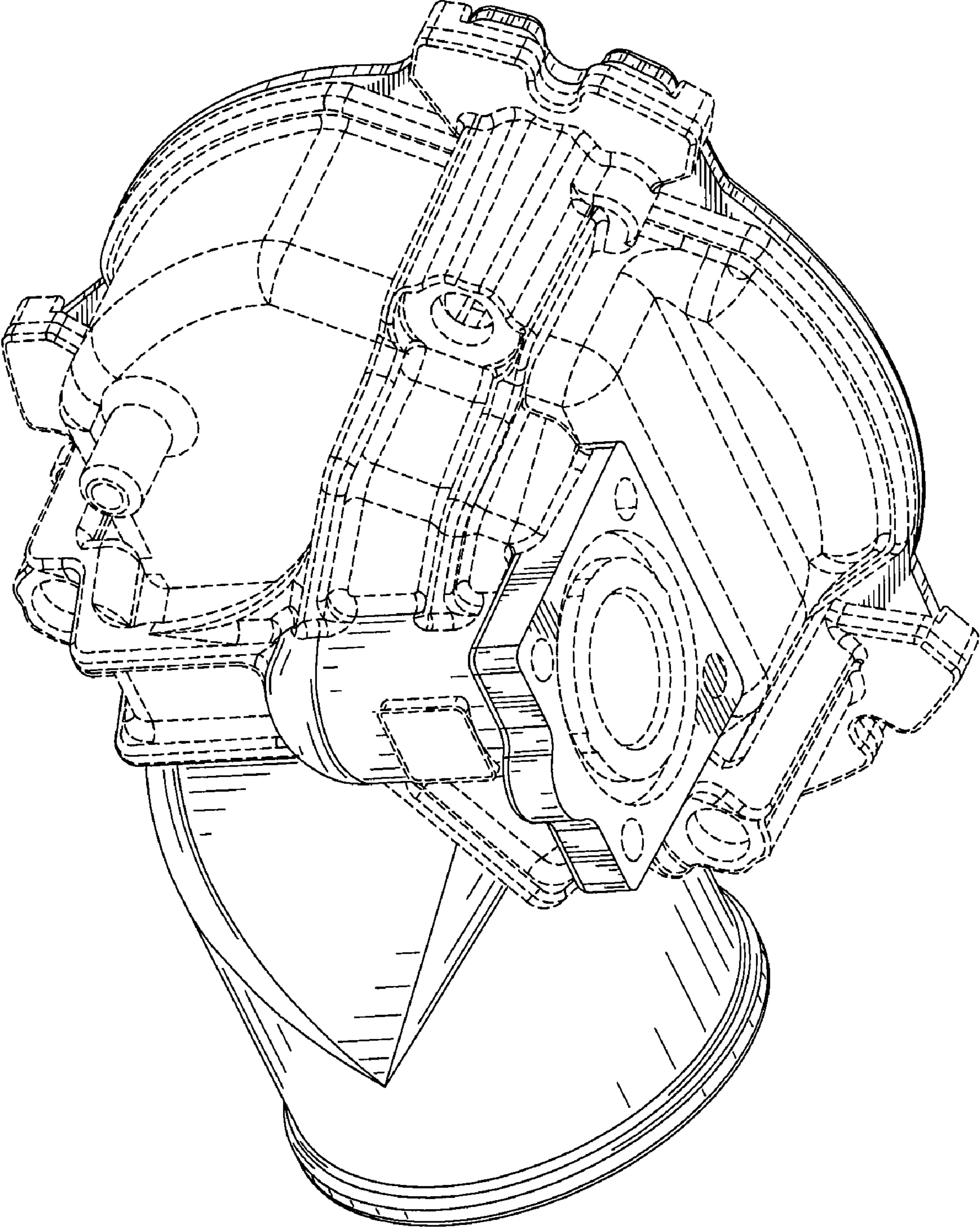


FIG. 2

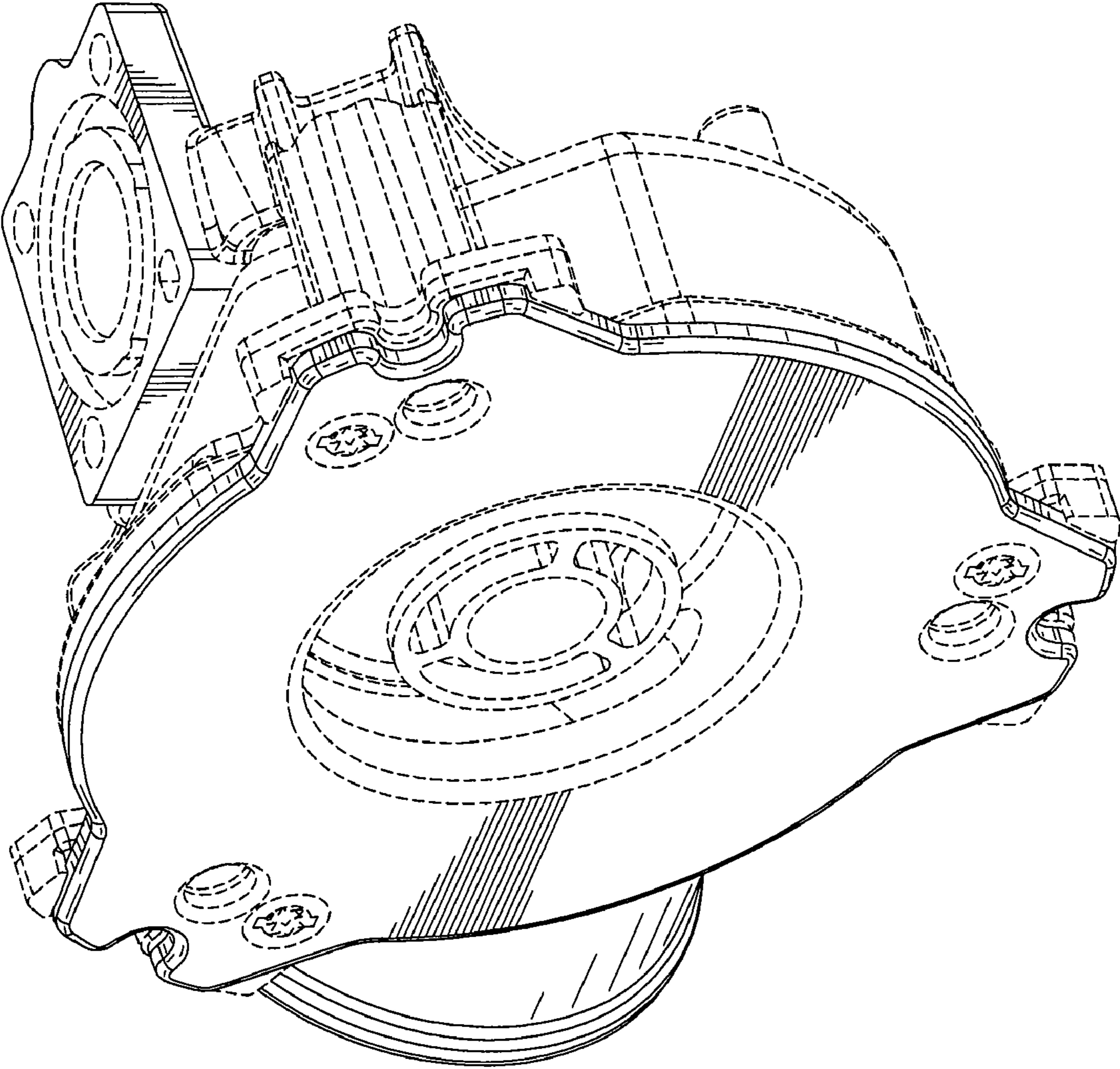


FIG. 3

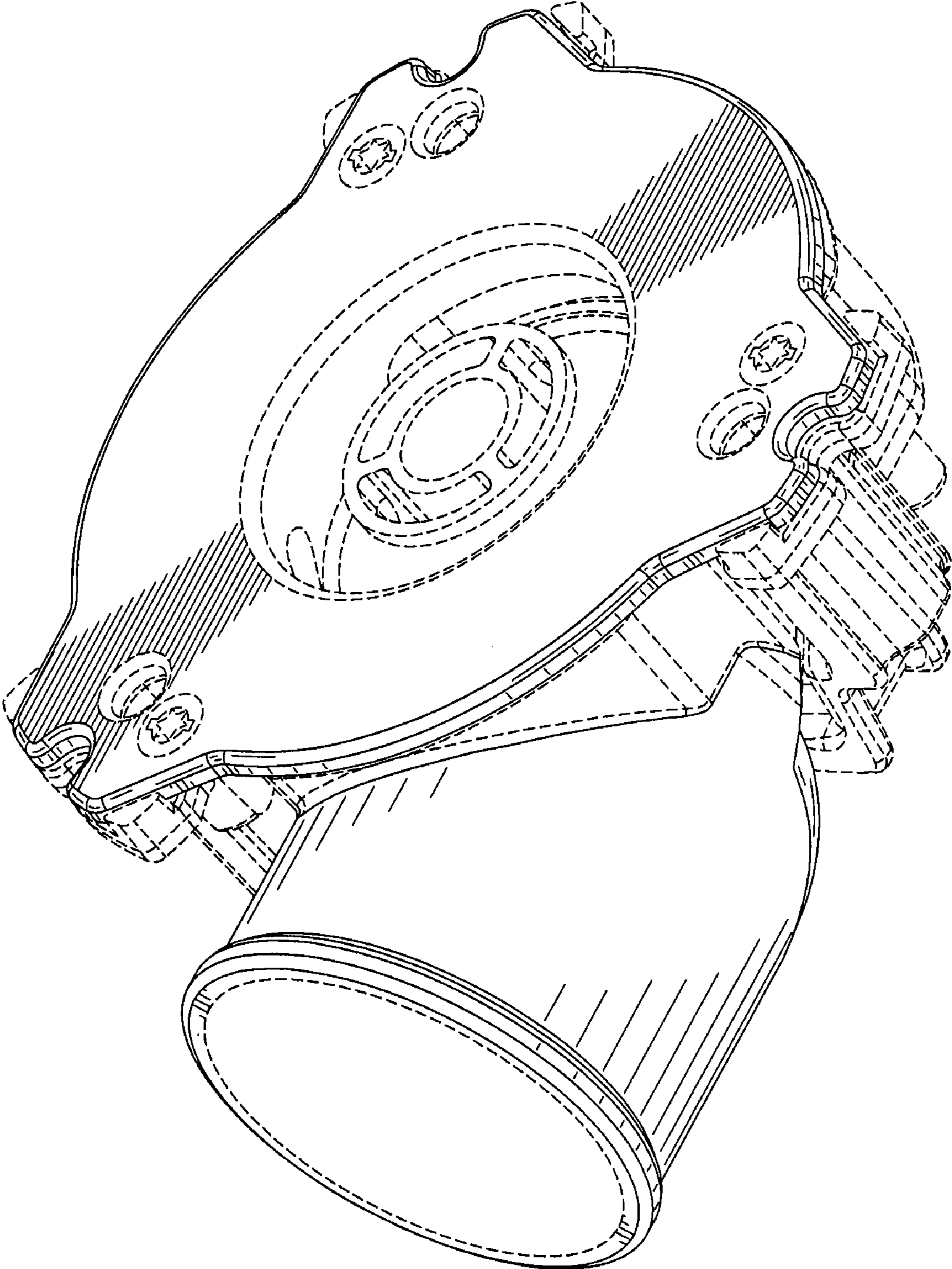


FIG. 4



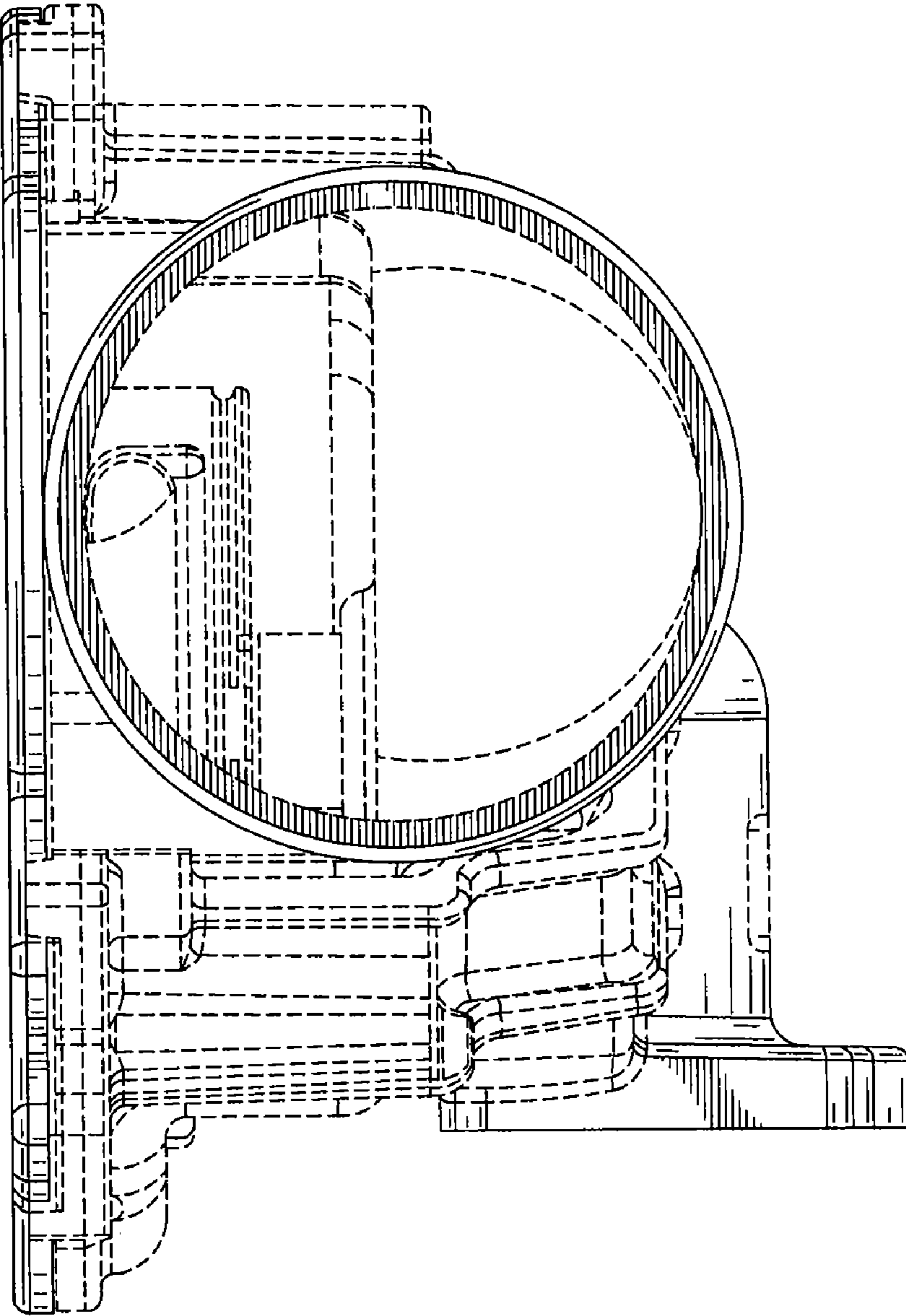


FIG. 5

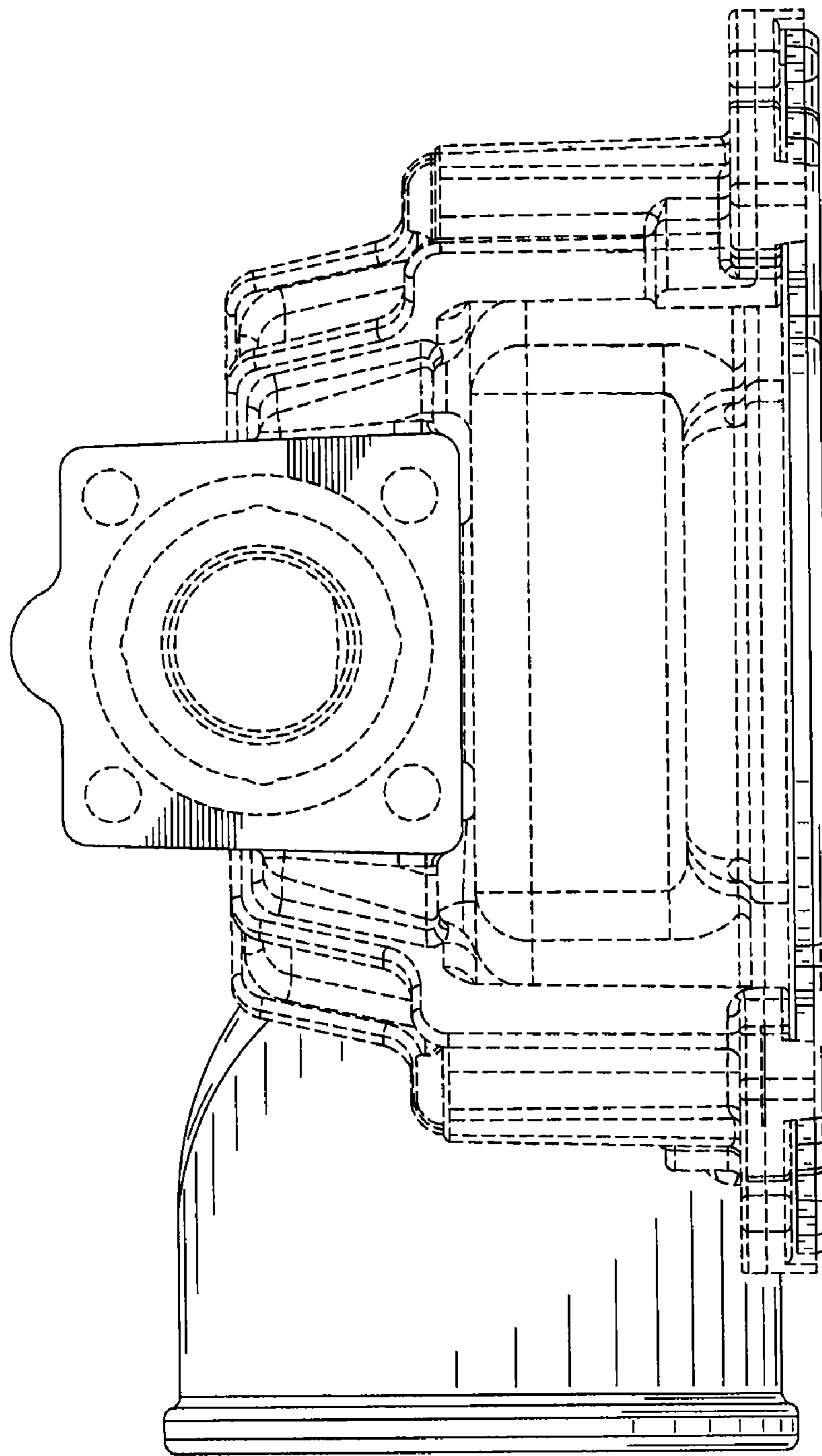


FIG. 6

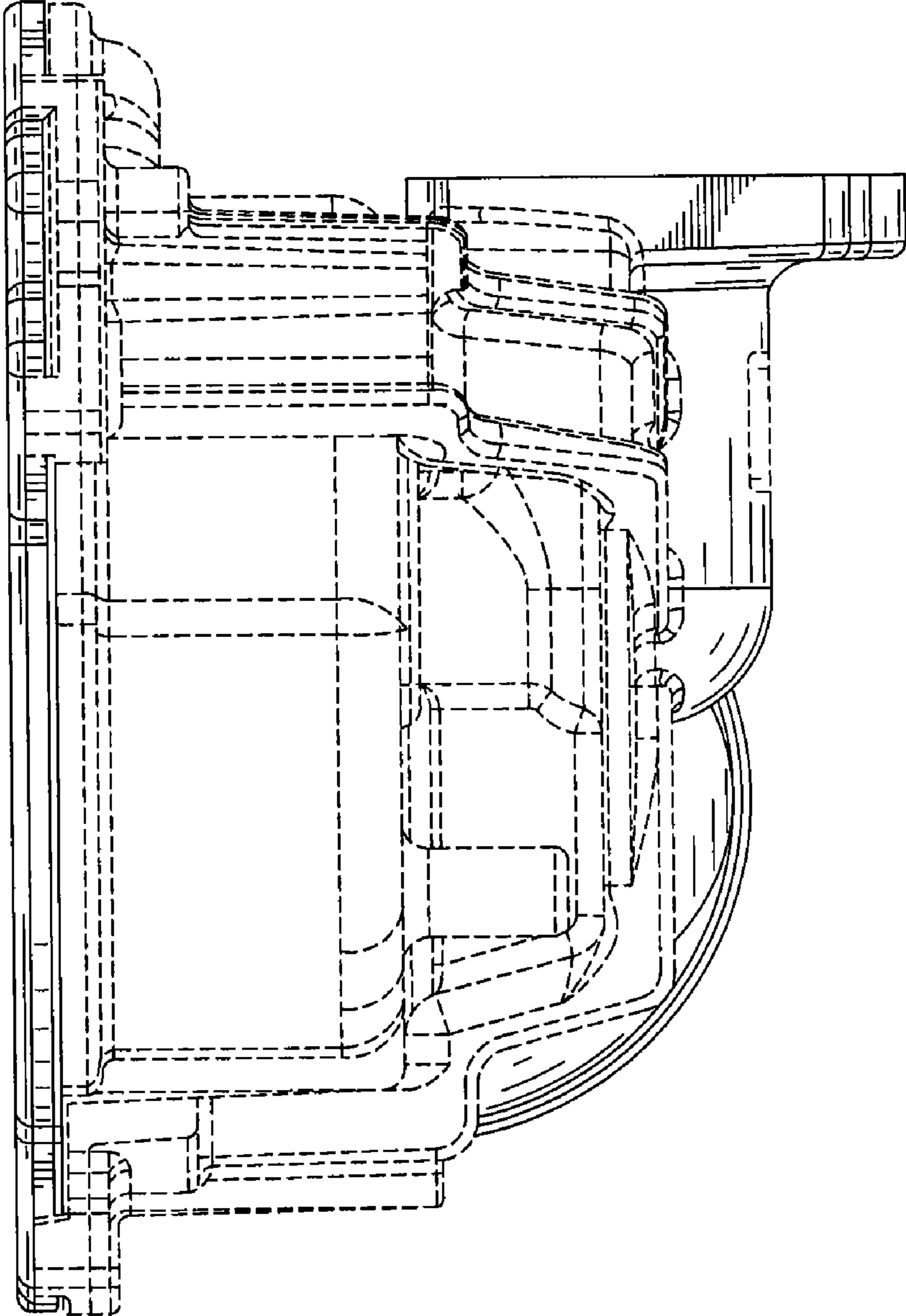


FIG. 7



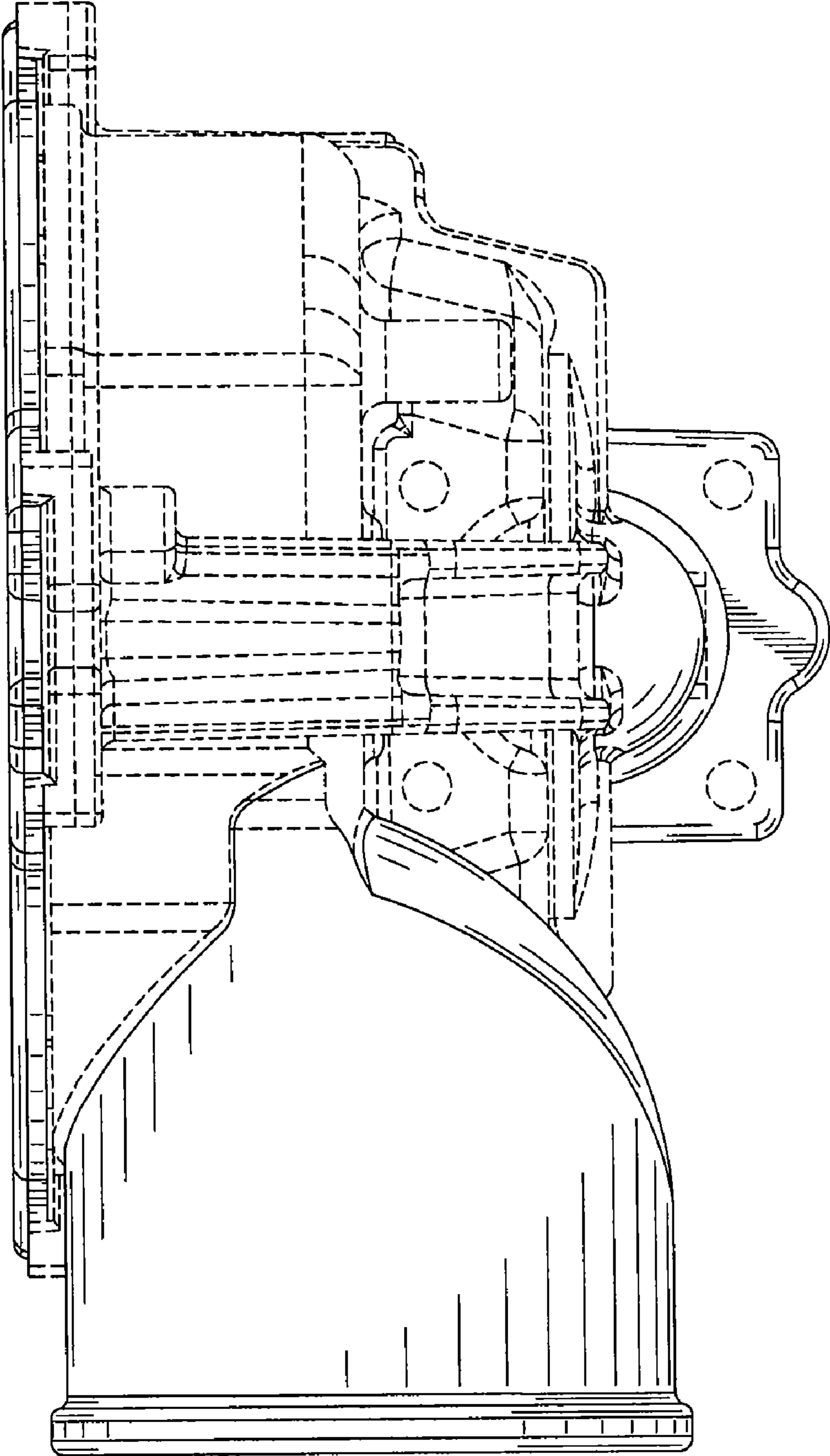


FIG. 8

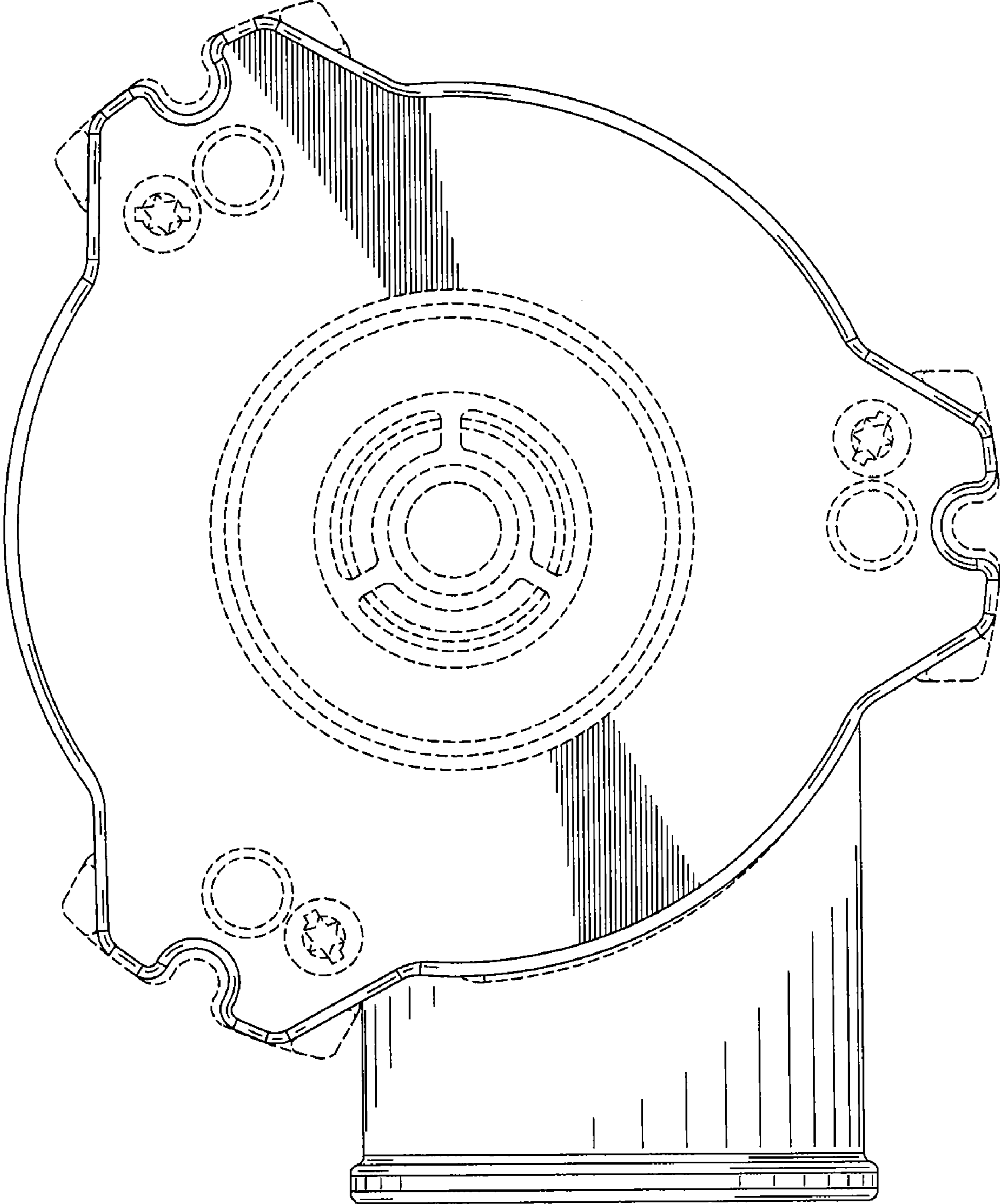


FIG. 9

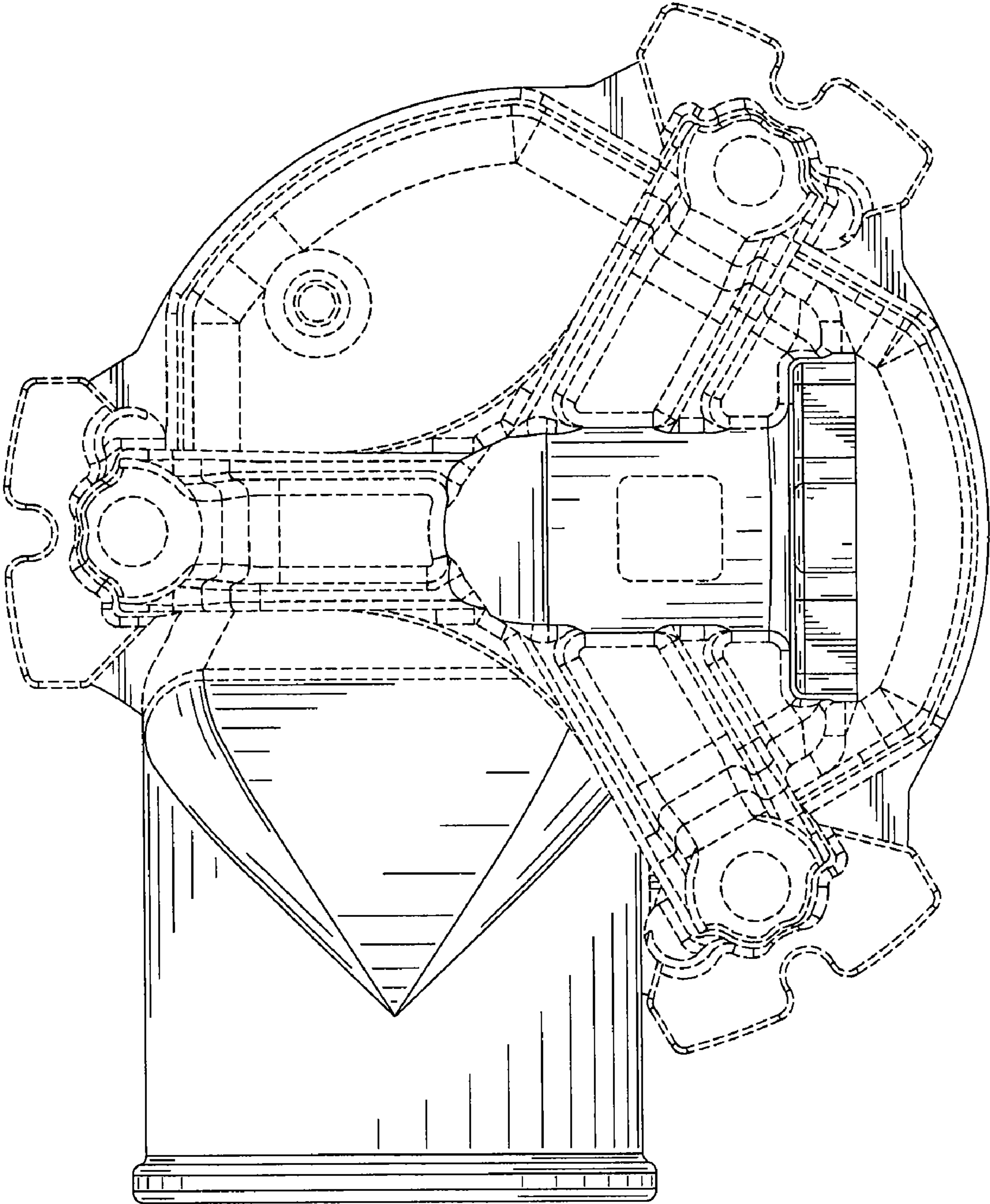


FIG. 10