



US00D584379S

(12) **United States Design Patent**
Kulig

(10) **Patent No.:** **US D584,379 S**
(45) **Date of Patent:** **** Jan. 6, 2009**

(54) **FAUCET**

(75) Inventor: **Zbigniew Kulig**, Wadsworth, IL (US)

(73) Assignee: **Graff Faucets**, Milwaukee, WI (US)

(**) Term: **14 Years**

(21) Appl. No.: **29/279,223**

(22) Filed: **Apr. 24, 2007**

(51) **LOC (9) Cl.** **23-01**

(52) **U.S. Cl.** **D23/213; D23/238**

(58) **Field of Classification Search** D23/213,
D23/238, 228, 304; 239/282–283; 4/597,
4/596, 615

See application file for complete search history.

(56) **References Cited**

U.S. PATENT DOCUMENTS

D384,129 S *	9/1997	Neufeld et al.	D23/213
D453,550 S *	2/2002	Lobermeier	D23/228
D510,978 S	10/2005	Kulig		
D511,201 S	11/2005	Kulig et al.		
D511,816 S	11/2005	Kulig		
D512,125 S	11/2005	Kulig		
D512,487 S	12/2005	Kulig et al.		
D512,488 S	12/2005	Kulig		
D517,648 S	3/2006	Kulig et al.		
D525,346 S	7/2006	Kulig		
D527,792 S *	9/2006	Hoernig	D23/228
D529,586 S	10/2006	Kulig		

D529,994 S 10/2006 Kulig
D557,766 S * 12/2007 Hoernig D23/223

OTHER PUBLICATIONS

Kulig, U.S. Appl. No. 29/200,369, filed Feb. 26, 2004, entitled "Faucet".

* cited by examiner

Primary Examiner—Robin V Webster

(74) *Attorney, Agent, or Firm*—Boyle Fredrickson S.C.

(57) **CLAIM**

The ornamental design for a faucet, as shown and described.

DESCRIPTION

FIG. 1 is perspective view of a faucet incorporating my new design, viewed from in front of, above, and from the left side of the faucet;

FIG. 2 is a front elevation view thereof;

FIG. 3 is a rear elevation view thereof;

FIG. 4 is a top plan view thereof;

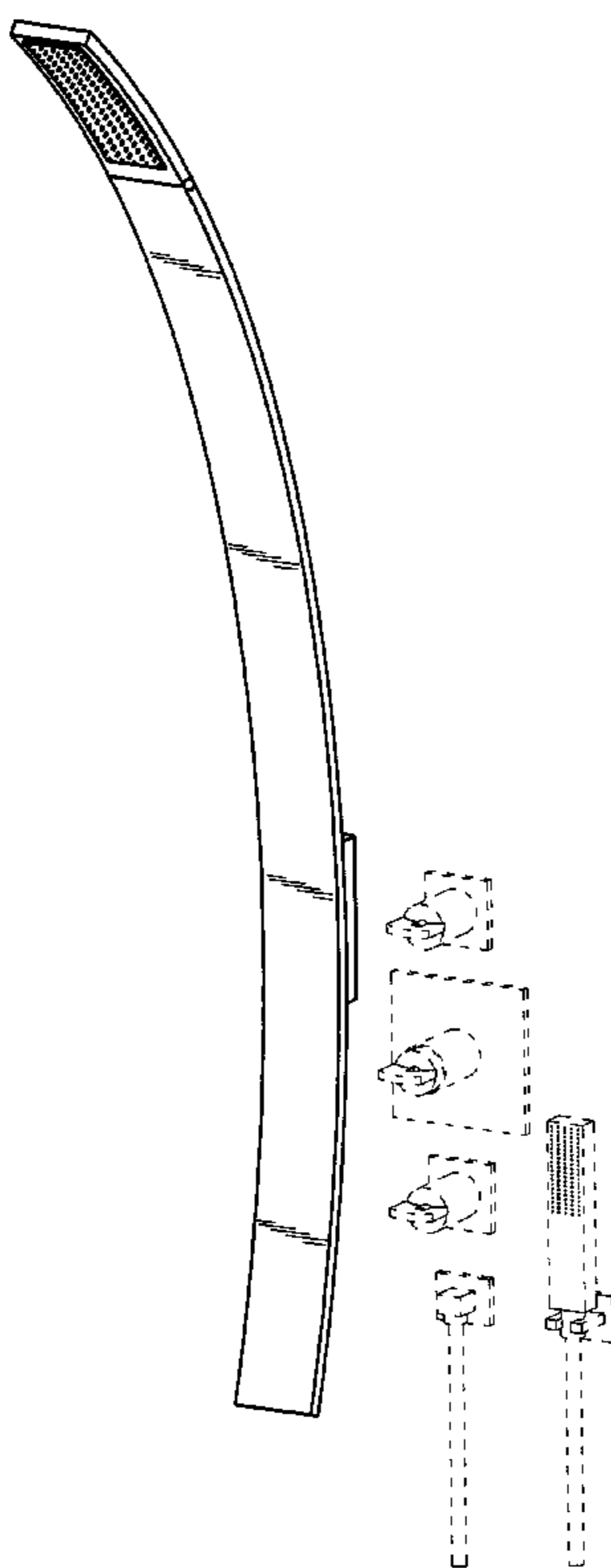
FIG. 5 is a bottom plan view thereof;

FIG. 6 is a left-side elevation view thereof; and,

FIG. 7 is a right-side elevation view thereof.

The broken lines in FIGS. 1–6 show the environmental structure only and form no part of the claimed design. That structure has been omitted from FIG. 7 so as not to crossover or intrude upon the claimed design.

1 Claim, 7 Drawing Sheets



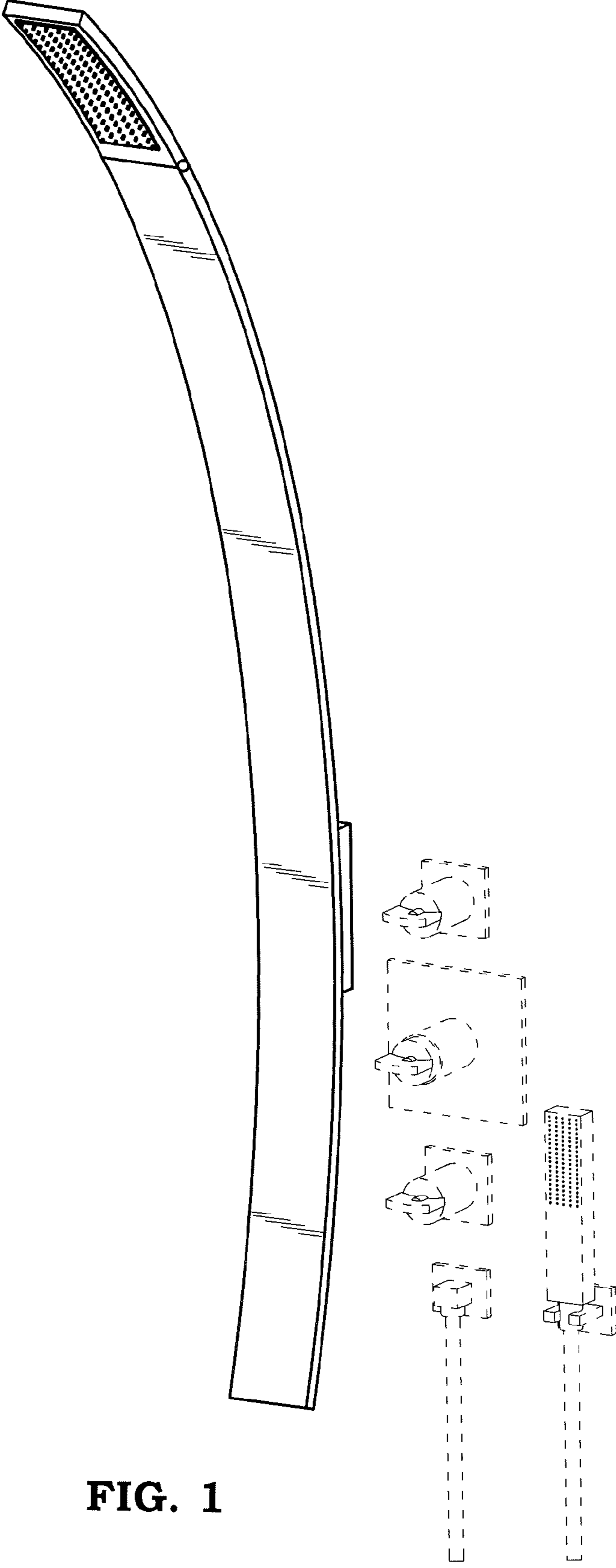


FIG. 1

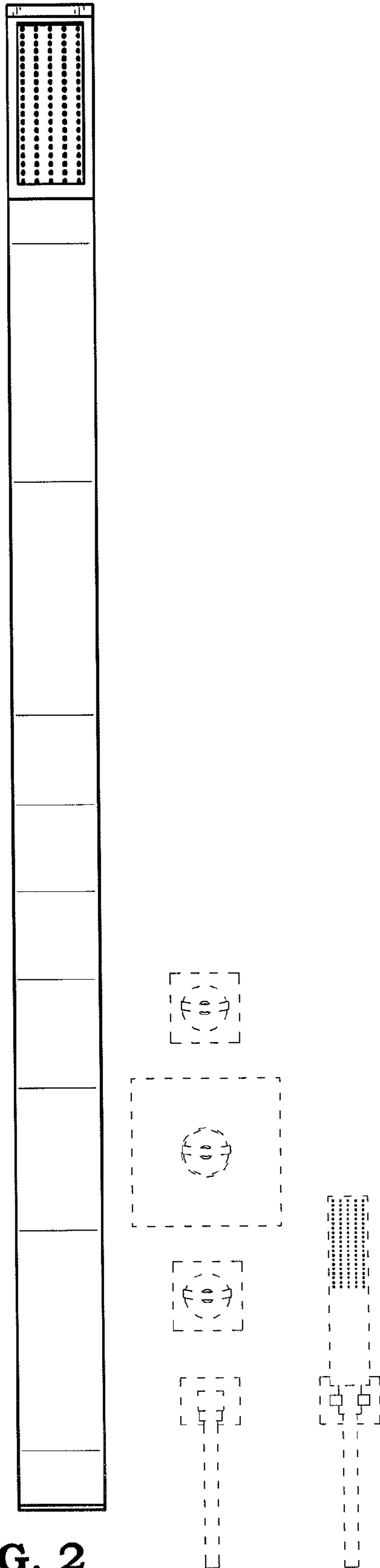


FIG. 2

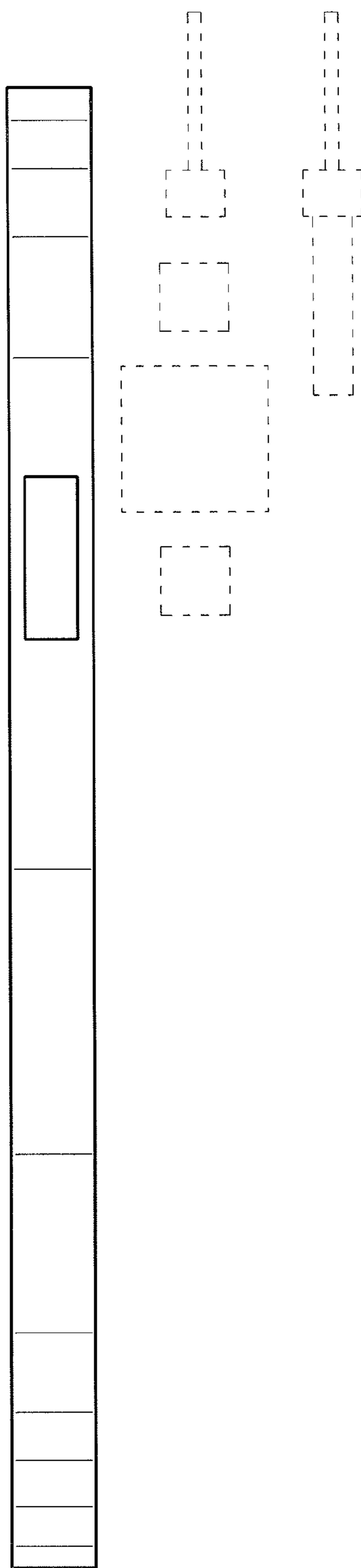


FIG. 3

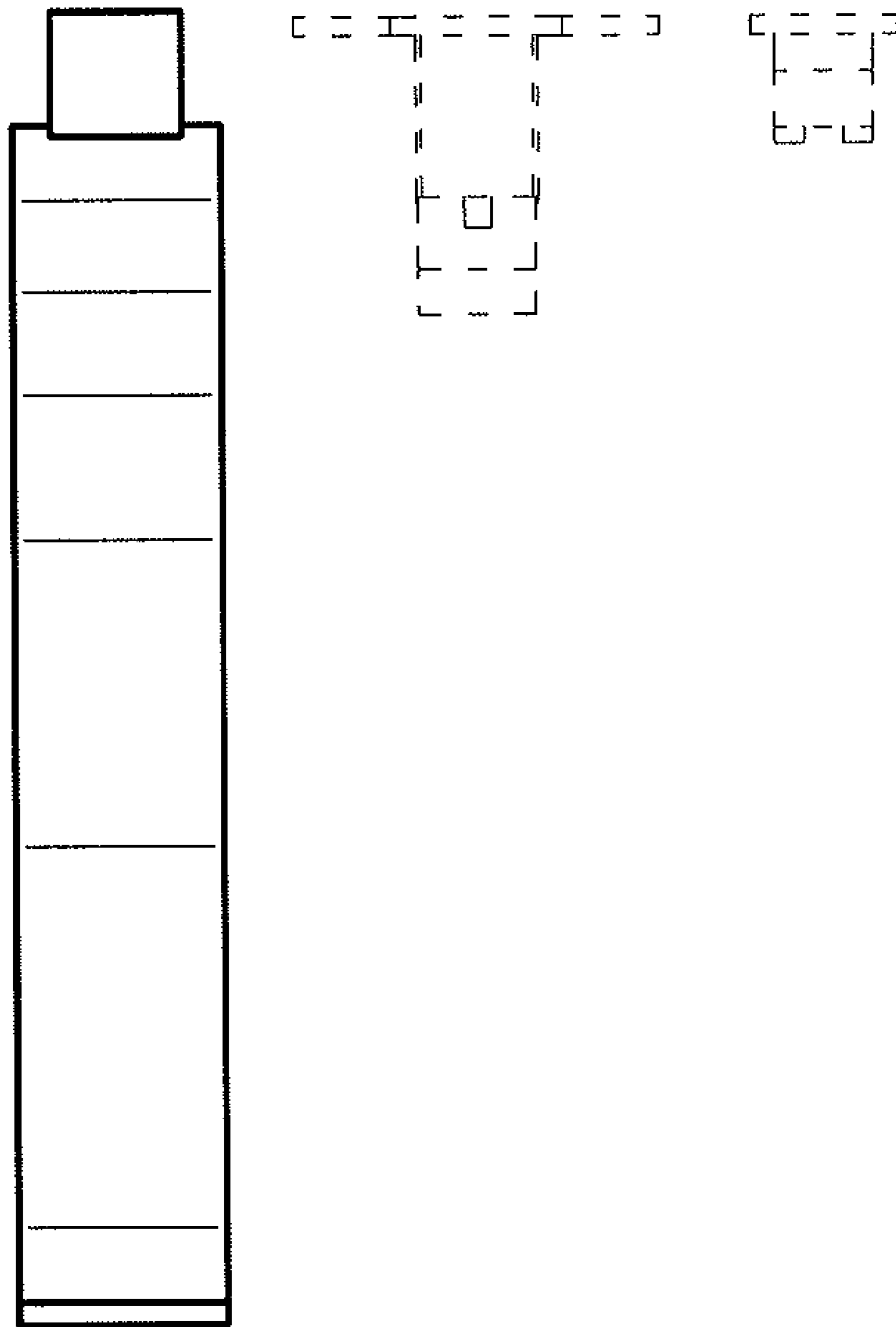


FIG. 4

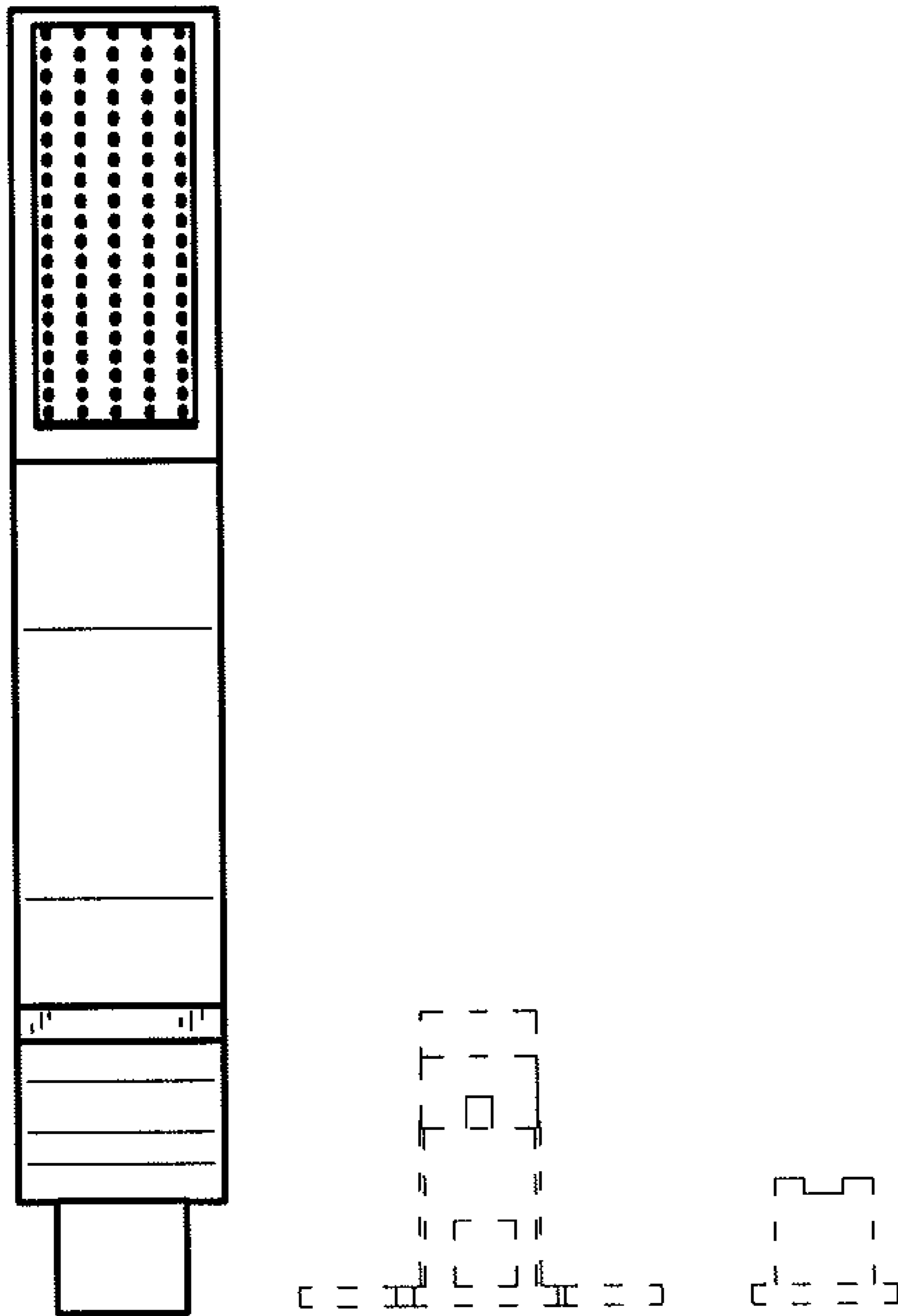


FIG. 5

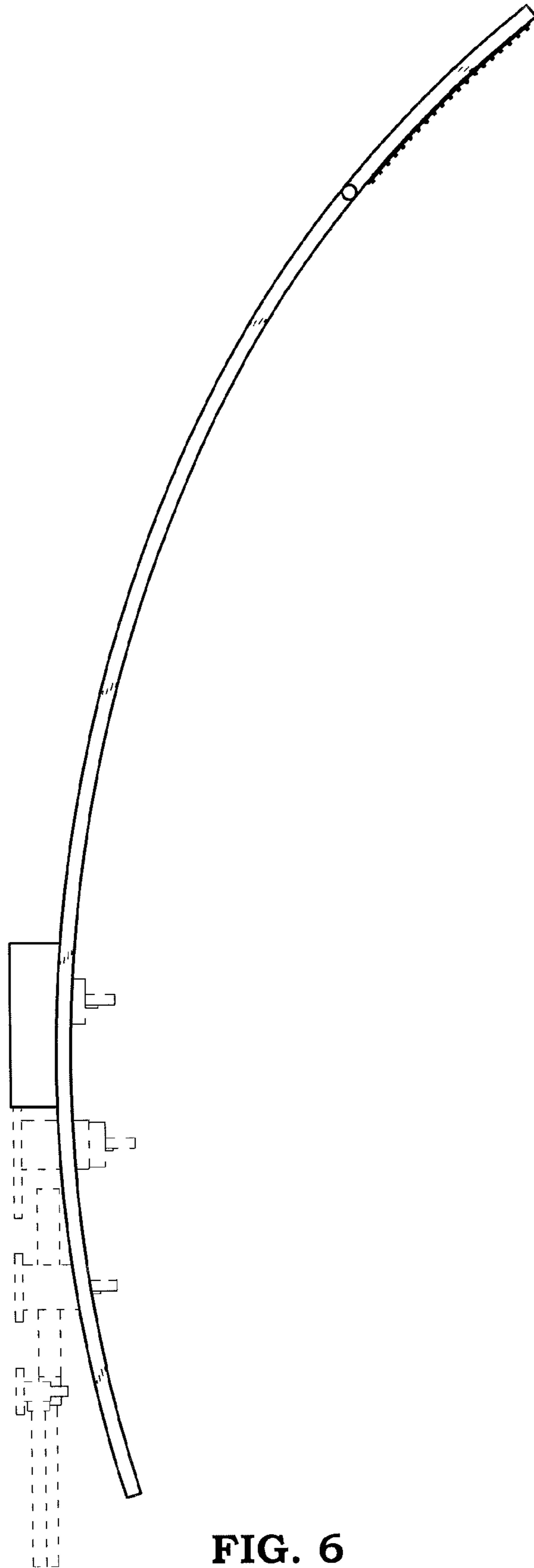


FIG. 6

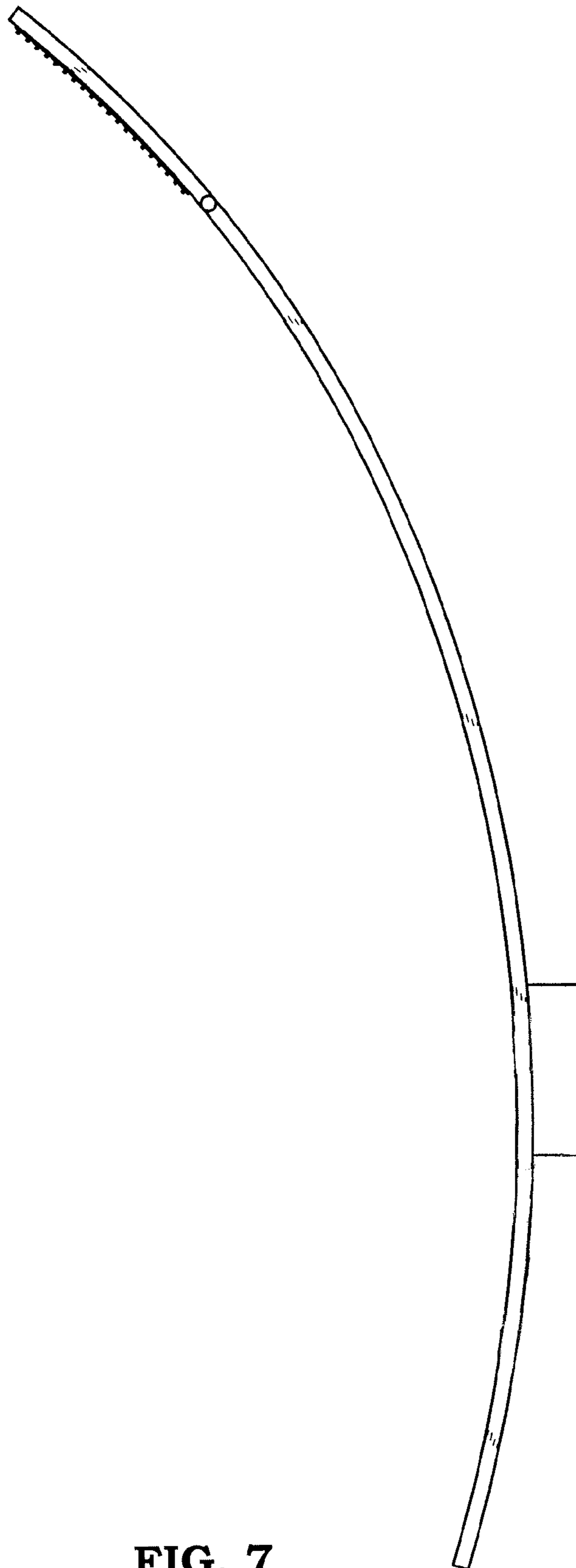


FIG. 7