



US00D584378S

(12) **United States Design Patent**
Wilson

(10) **Patent No.:** **US D584,378 S**
(45) **Date of Patent:** **** Jan. 6, 2009**

(54) **TRAY FOR A WATER TREATMENT APPARATUS**

6,171,498 B1 * 1/2001 Fassbender et al. 210/512.1
6,645,382 B1 11/2003 Wilson
6,852,239 B2 2/2005 Wilson
6,881,350 B2 4/2005 Wilson

(75) Inventor: **George E. Wilson**, Hillsboro, OR (US)

* cited by examiner

(73) Assignee: **Eutek Systems, Inc.**, Hillsboro, OR (US)

Primary Examiner—Robin V Webster

(**) Term: **14 Years**

(74) *Attorney, Agent, or Firm*—Klarquist Sparkman, LLP

(21) Appl. No.: **29/223,017**

(57) **CLAIM**

(22) Filed: **Feb. 7, 2005**

The ornamental design for a tray for a water treatment apparatus, as shown and described.

(51) **LOC (9) Cl.** **23-01**

(52) **U.S. Cl.** **D23/207**

(58) **Field of Classification Search** D23/207,
D23/200, 202-4; 210/788, 532.1; D7/700;
D11/143, 152

See application file for complete search history.

DESCRIPTION

FIG. 1 is a top and front surface perspective view of a tray for a water treatment apparatus according to my new design;

FIG. 2 is a front and bottom surface perspective view of the tray of FIG. 1;

FIG. 3 is a front surface elevational view of the tray of FIG. 1;

FIG. 4 is a section view in elevation taken along the line 4—4 in FIG. 3;

FIG. 5 is a top plan view of the tray of FIG. 1; and,

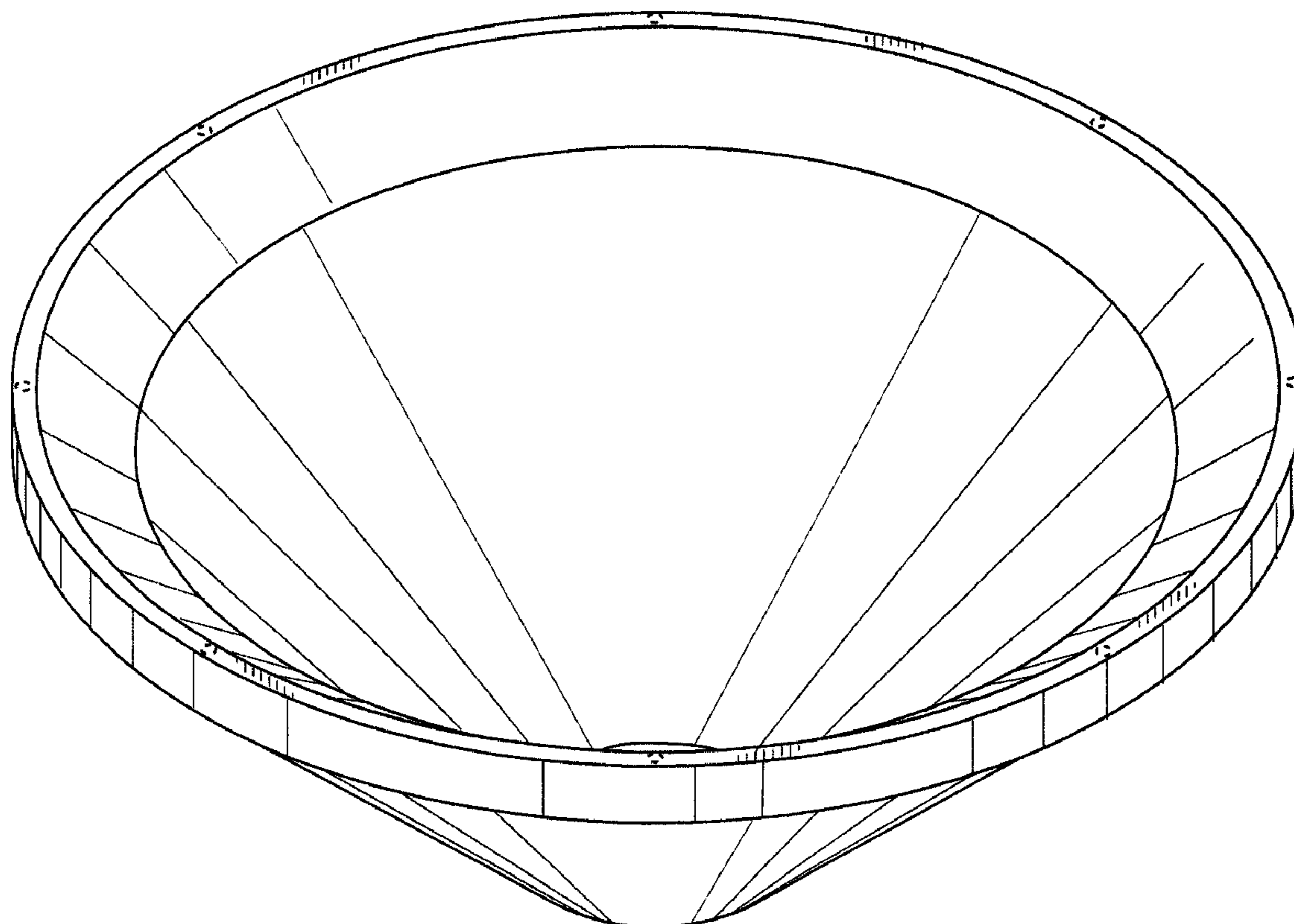
FIG. 6 is a bottom plan view of the tray of FIG. 1.

(56) **References Cited**

U.S. PATENT DOCUMENTS

1,487,824 A * 3/1924 Vincent 141/297
3,173,866 A * 3/1965 Lefton et al. 210/205
3,216,573 A * 11/1965 Iriou 210/220
D341,147 S * 11/1993 Pollak D15/150
6,092,671 A * 7/2000 Ruehrwein et al. 210/519

1 Claim, 2 Drawing Sheets



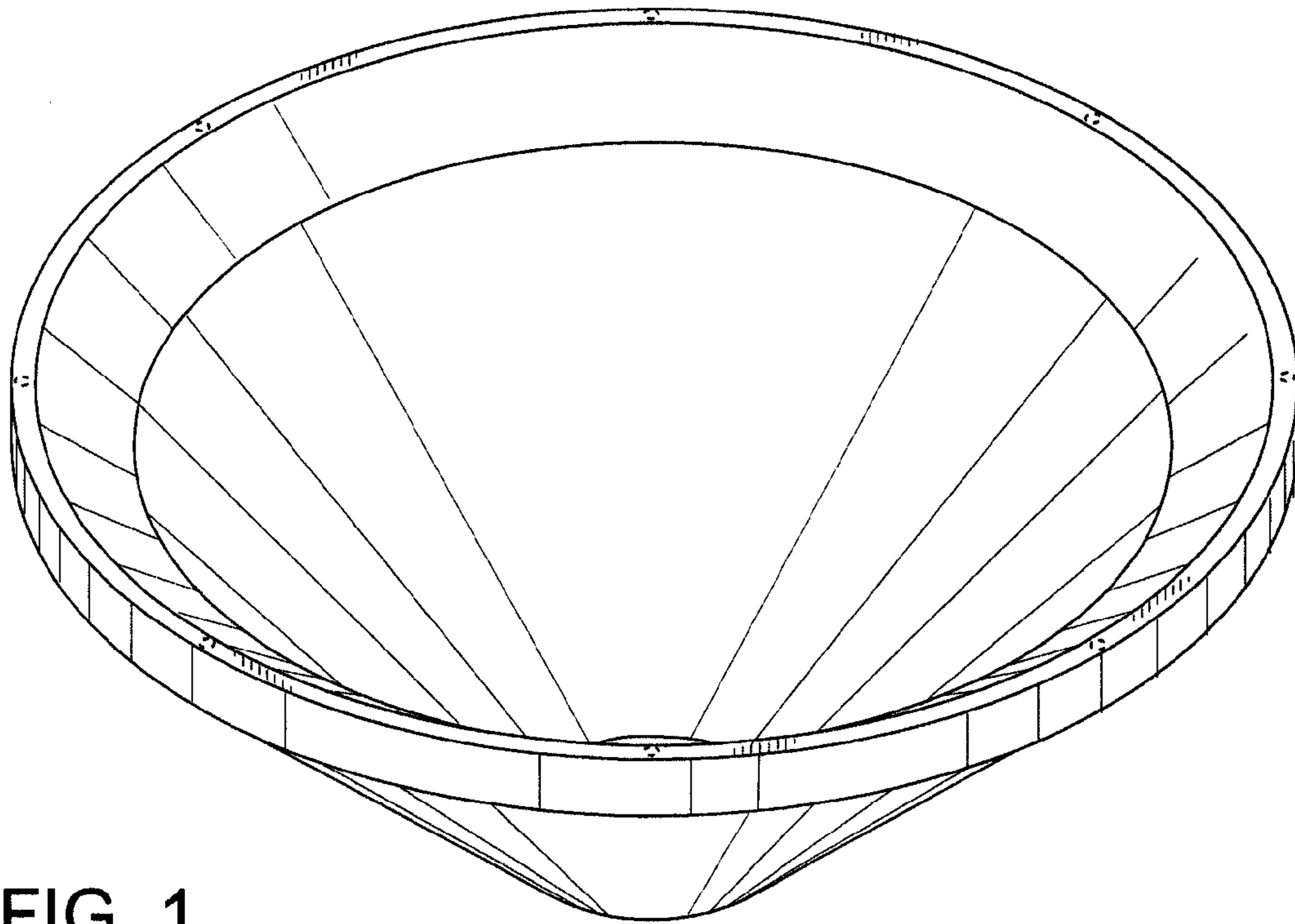


FIG. 1

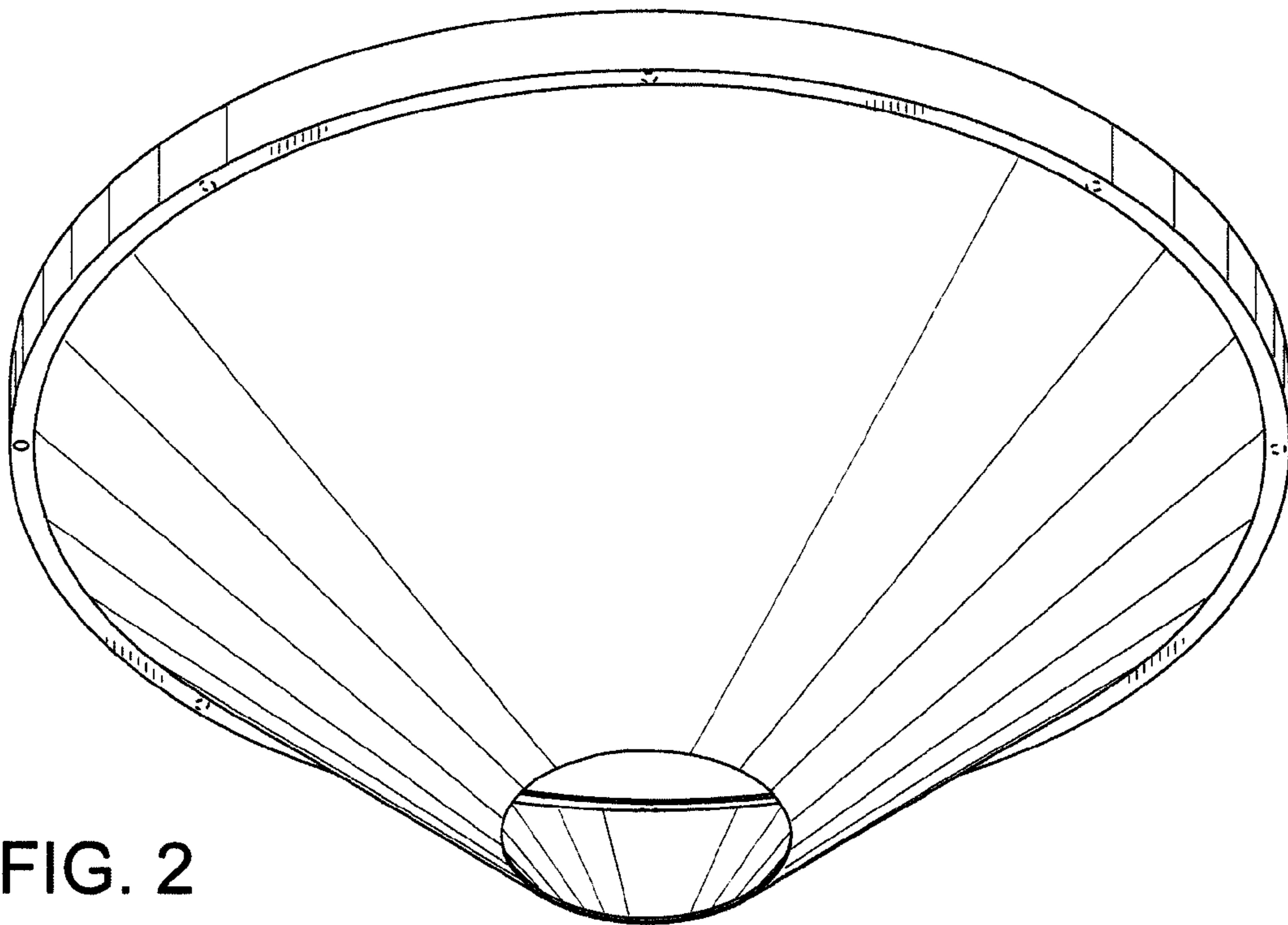


FIG. 2

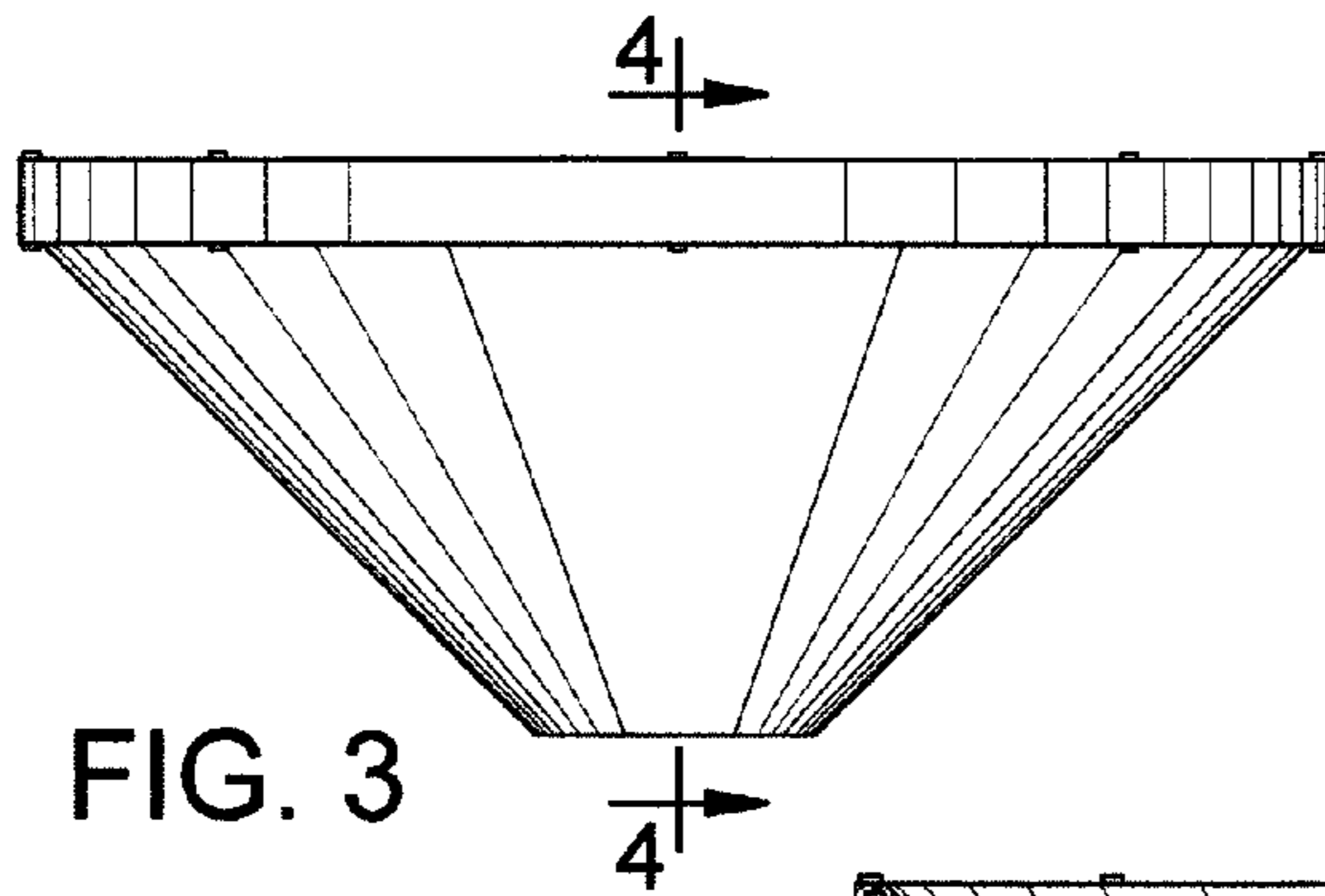


FIG. 3

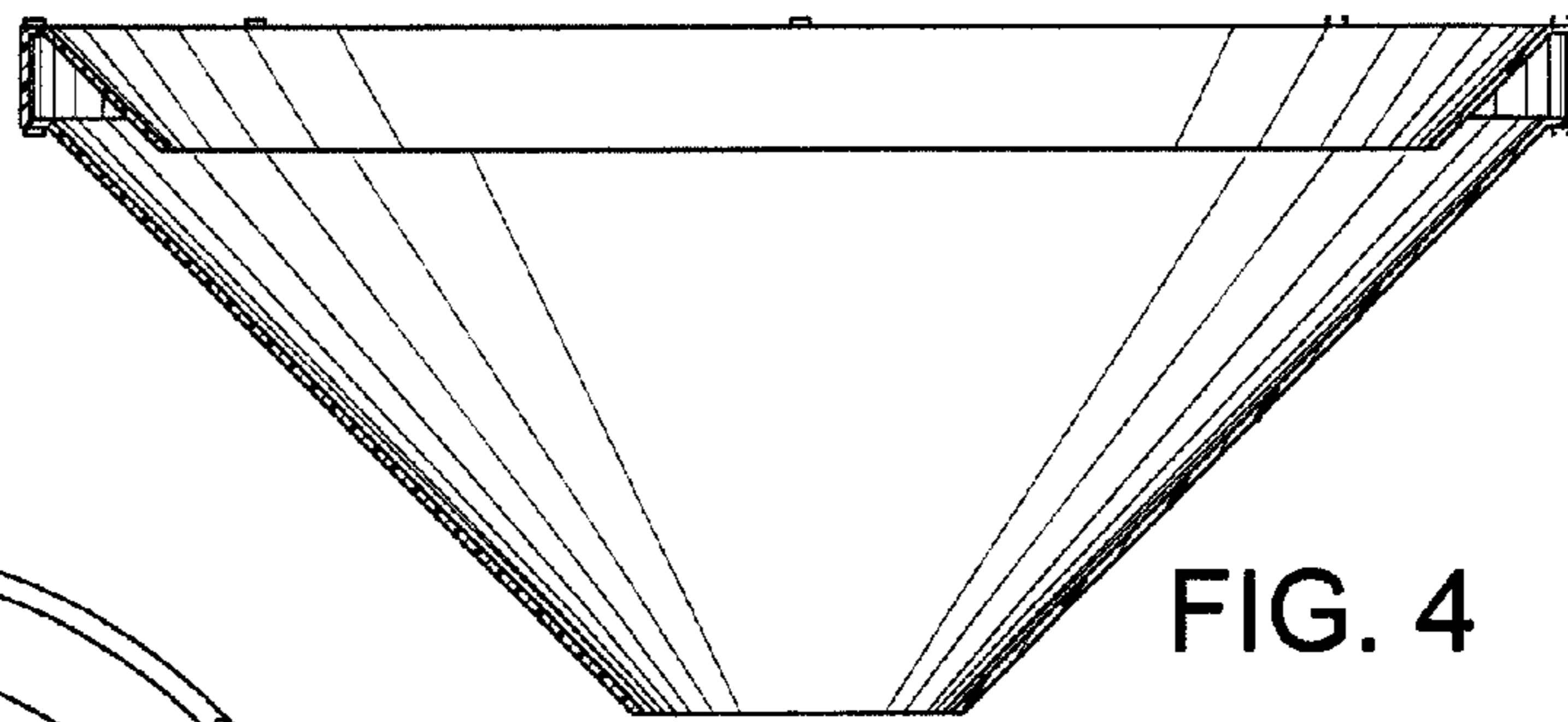


FIG. 4

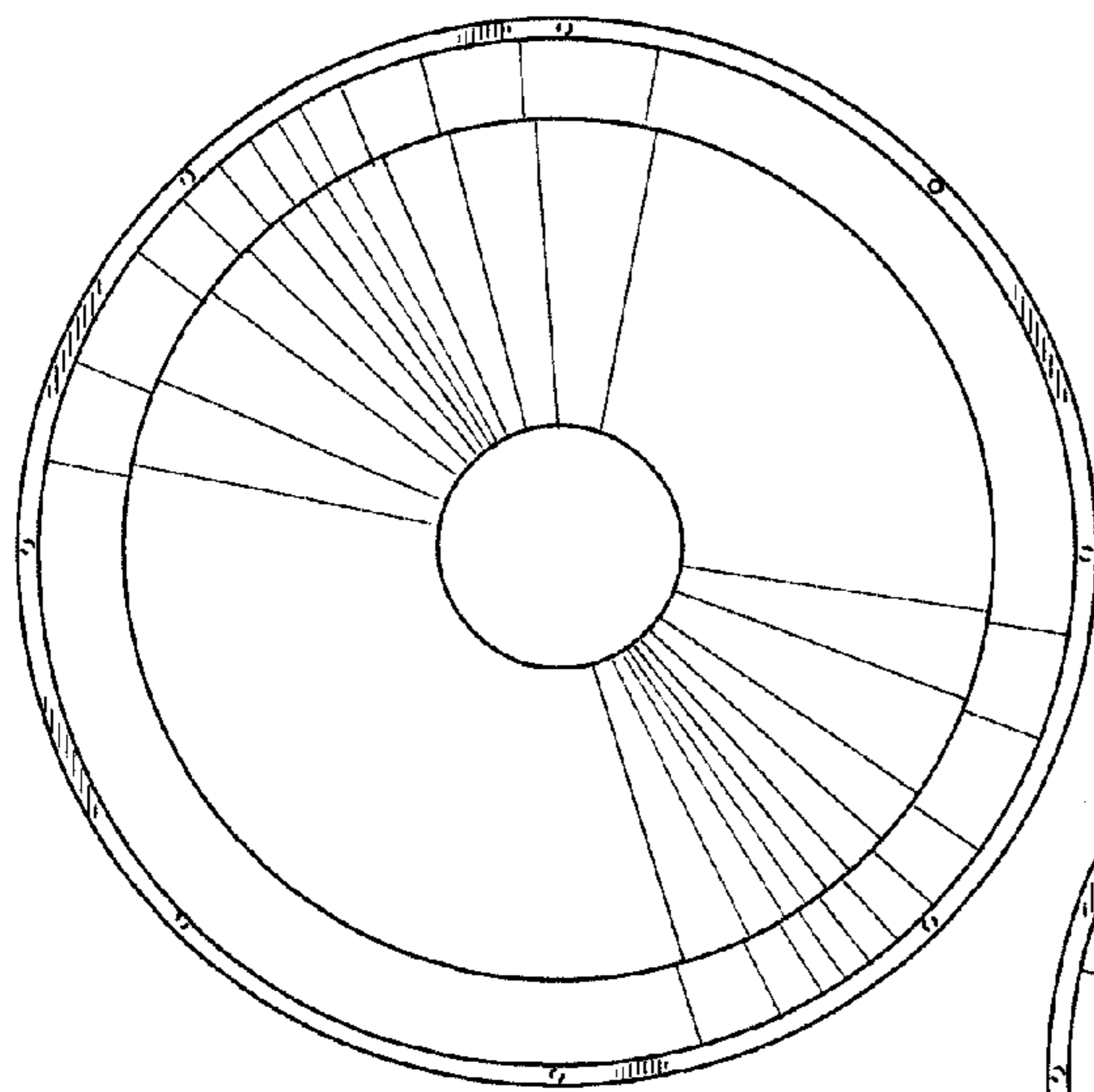


FIG. 5

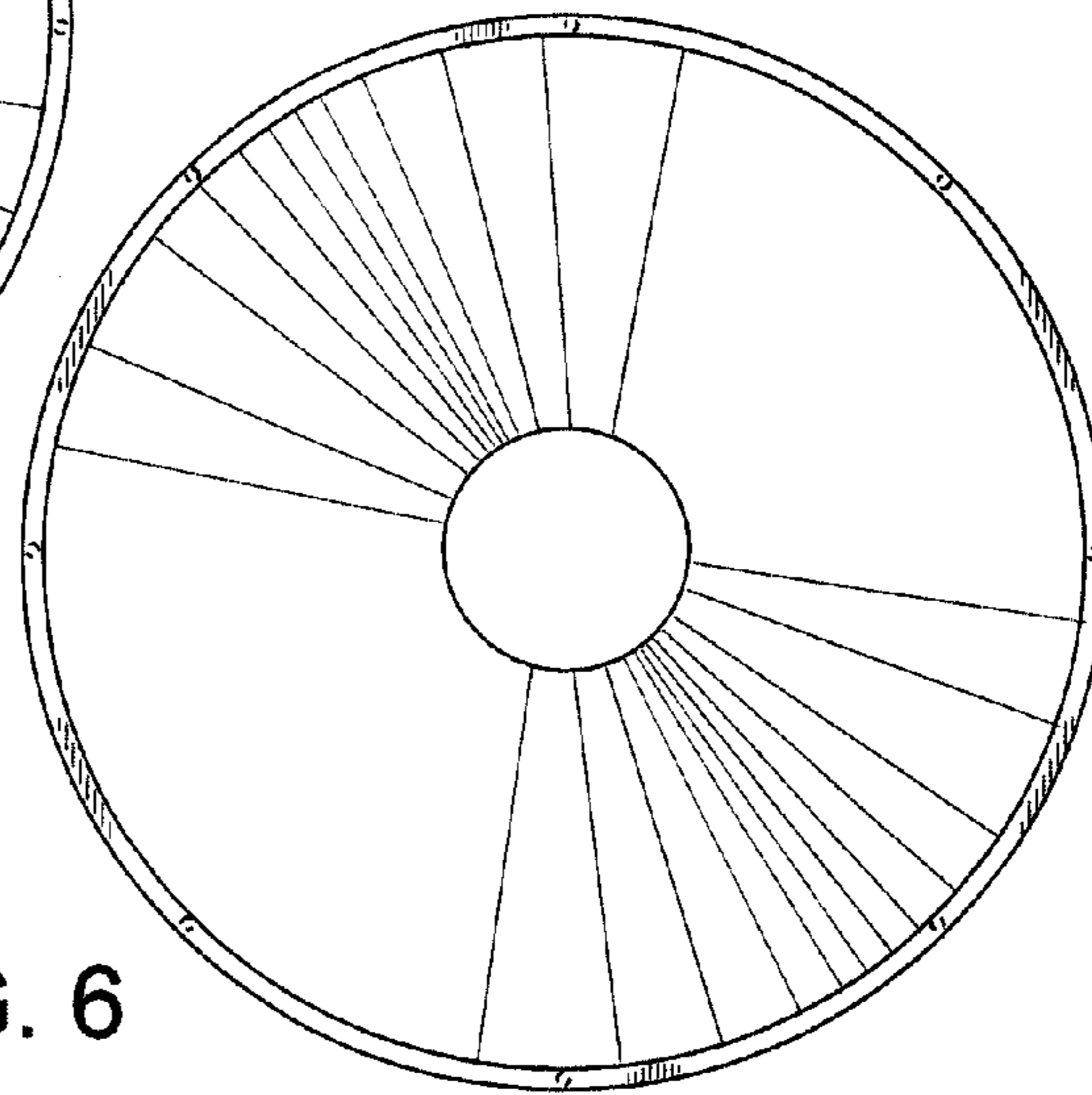


FIG. 6