



US00D584375S

(12) **United States Design Patent**
Sims

(10) **Patent No.:** **US D584,375 S**

(45) **Date of Patent:** **** *Jan. 6, 2009**

(54) **DERESONATOR**

(76) **Inventor:** **Steven C. Sims**, 50 Rose Nye Way,
Shelton, WA (US) 98584

(*) **Notice:** This patent is subject to a terminal disclaimer.

(**) **Term:** **14 Years**

(21) **Appl. No.:** **29/214,410**

(22) **Filed:** **Sep. 30, 2004**

(51) **LOC (9) Cl.** **22-01**

(52) **U.S. Cl.** **D22/107; D22/108**

(58) **Field of Classification Search** D22/100,
D22/107, 108, 109, 110; D21/571; 124/86-89,
124/20.3, 24.1; 473/300, 318, 437, 520
See application file for complete search history.

(56) **References Cited**

U.S. PATENT DOCUMENTS

D410,272 S * 5/1999 Fitzgerald, Jr. D22/107
D436,643 S * 1/2001 Sims D22/107
6,675,793 B1 * 1/2004 Saunders 124/89

6,910,472 B2 * 6/2005 Mizek et al. 124/89
D514,654 S * 2/2006 Sims D22/107
D540,903 S * 4/2007 Dunn D22/107
D559,937 S * 1/2008 Sims et al. D22/107
2007/0079821 A1 * 4/2007 Walk et al. 124/86
2008/0092868 A1 * 4/2008 Silverson 124/86

* cited by examiner

Primary Examiner—Cathron C Brooks

Assistant Examiner—Melanie Levy

(74) *Attorney, Agent, or Firm*—Richard D. Multer

(57) **CLAIM**

The ornamental design for an deresonator, substantially as shown and described.

DESCRIPTION

FIG. 1 is a perspective view of a deresonator showing my new design;

FIG. 2 is an end view thereof, the opposite end view being identical; and,

FIG. 3 is a side view thereof.

The broken lines shown in the drawings form no part thereof.

1 Claim, 1 Drawing Sheet

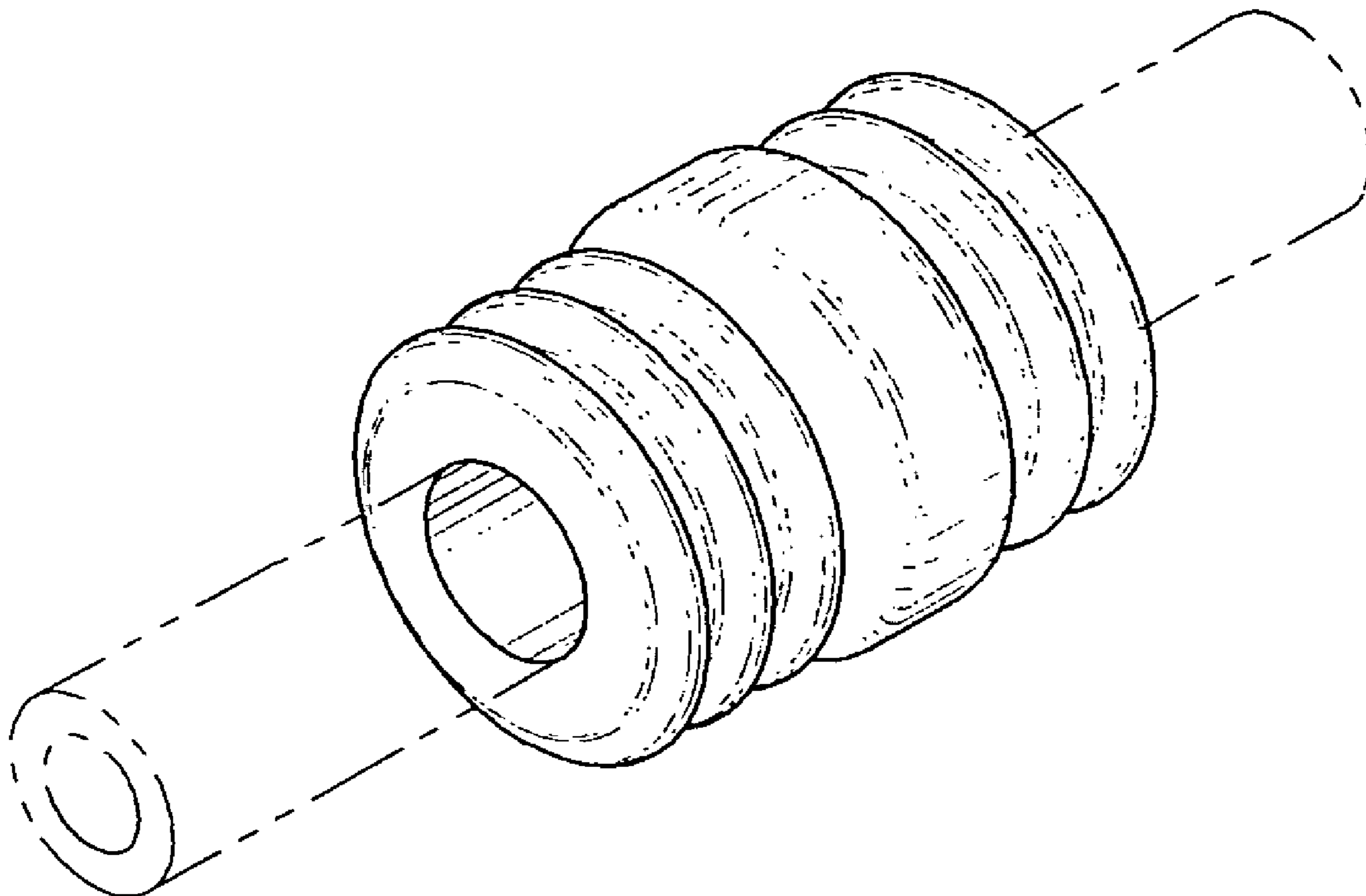


FIG. 1

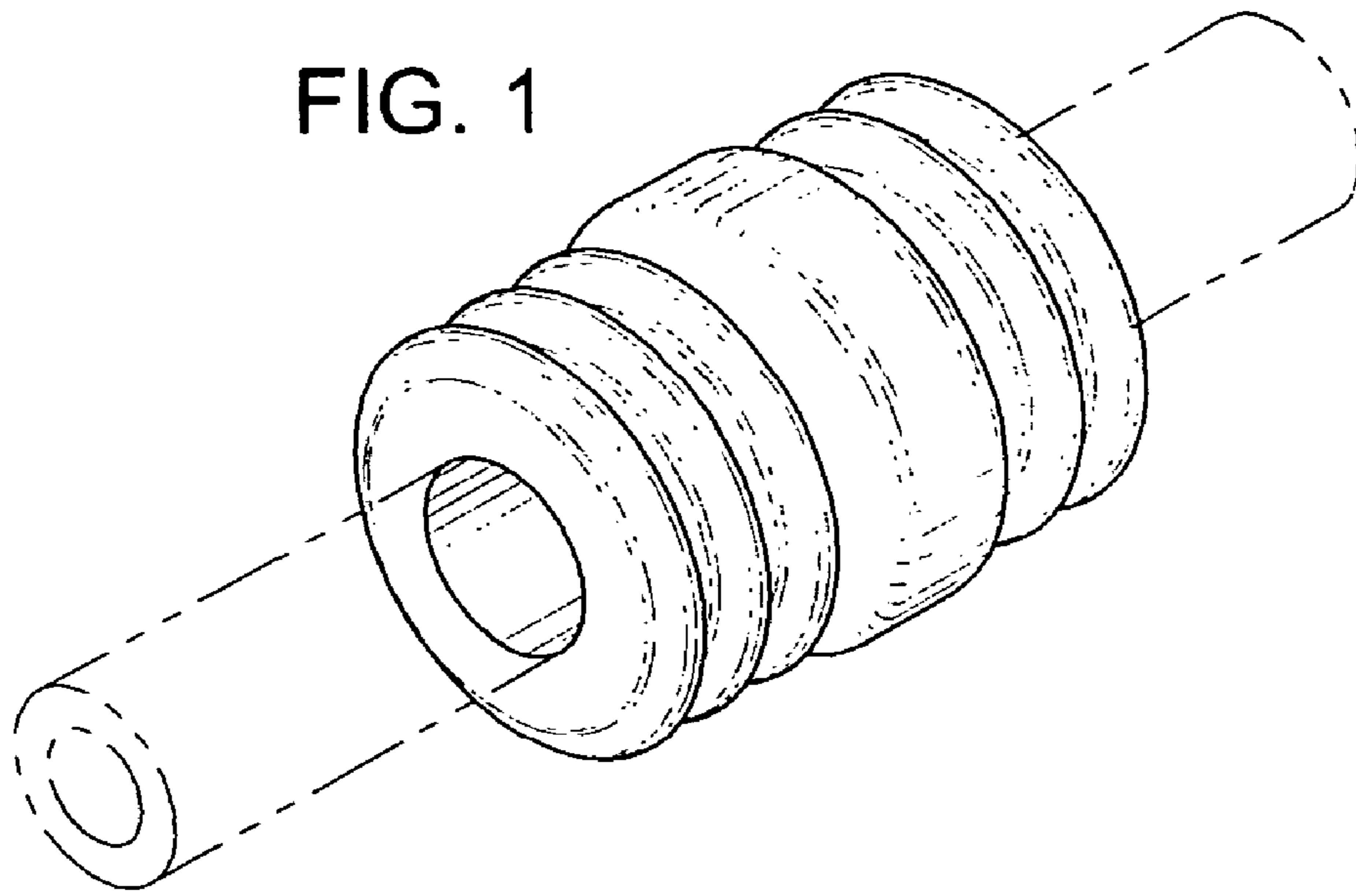


FIG. 2

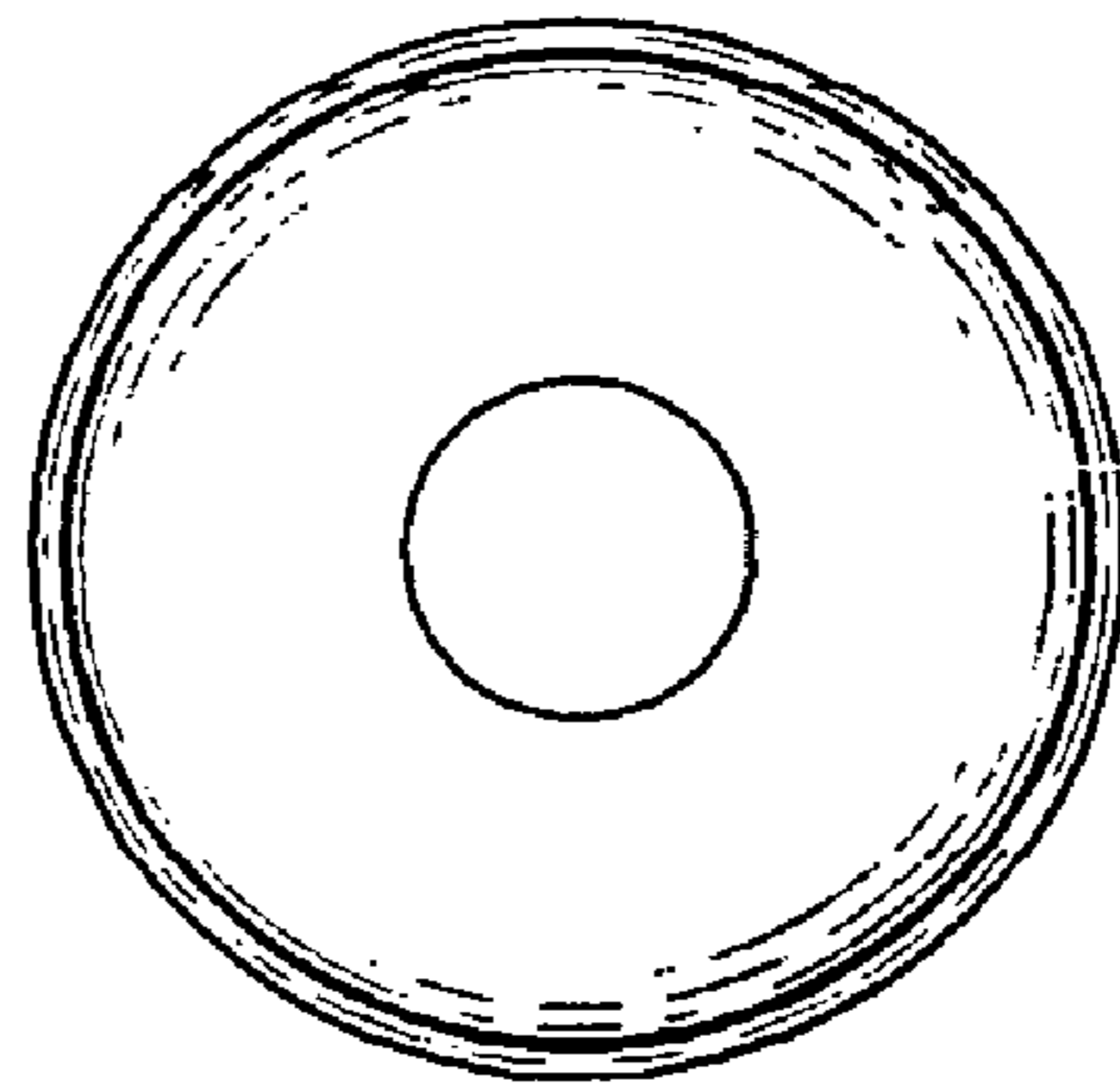


FIG. 3

