



US00D584374S

(12) **United States Design Patent**
McGarry

(10) **Patent No.:** **US D584,374 S**
(45) **Date of Patent:** **** Jan. 6, 2009**

- (54) **PISTOL**
- (75) Inventor: **James McGarry**, Prescott Valley, AZ (US)
- (73) Assignee: **Sturm, Ruger & Company, Inc**, Southport, CT (US)
- (**) Term: **14 Years**
- (21) Appl. No.: **29/289,583**
- (22) Filed: **Jul. 25, 2007**
- (51) **LOC (9) Cl.** **22-01**
- (52) **U.S. Cl.** **D22/104**
- (58) **Field of Classification Search** D22/100, D22/104, 105, 108; D21/567, 570, 573-575; 362/110, 113; 42/1.02, 7, 50, 65, 70.11, 42/74, 75.03, 117, 22, 37, 40, 114, 84, 85, 42/71.02

See application file for complete search history.

(56) **References Cited**

U.S. PATENT DOCUMENTS

5,042,185	A *	8/1991	Justice, Sr.	42/70.11
D359,098	S *	6/1995	Stevens	D22/104
5,526,600	A *	6/1996	Chesnut et al.	42/50
D387,841	S *	12/1997	Hochstrate et al.	D22/104
5,741,996	A *	4/1998	Ruger et al.	42/16
6,370,806	B1 *	4/2002	Klebes et al.	42/84
D464,702	S *	10/2002	Mauch et al.	D22/104
D505,476	S	5/2005	McGarry	
6,928,764	B2 *	8/2005	Freed	42/71.02
D516,661	S	3/2006	McGarry	
2004/0031181	A1 *	2/2004	Freed	42/71.02
2006/0130386	A1 *	6/2006	Pikielny	42/85

OTHER PUBLICATIONS

James McGarry, U.S. Appl. No. 29/289,585, filed Jul. 25, 2007.
James McGarry, U.S. Appl. No. 29/289,584, filed Jul. 25, 2007.
Author Unknown, 475 Years Young, Guns & Ammo, Mar. 2002.
D.K. Pridgen, Gun Safety Roundup, Combat Handguns, Aug. 2000.

Author Unknown, title unknown, Combat Handguns, Mar. 2001, p. 91.
Frank James, New Taurus Tracker .41Mag, Combat Handguns, Feb. 2001, pp. 10-12, p. 90.
Author Unknown, Smith & Wesson 4566TSW .45 ACP, Gun Tests, May 2001, p. 6.
Dave Anderson, Combat Shooting, American Handgunner, May/Jun. 2003, p. 34.
Mike Boyle, New Taurus PT-145 .45ACP, Combat Handguns, Feb. 2002, pp. 40-42.
Roger Combs, Guns & Gear, Handguns, Oct. 2002, p. 51.

* cited by examiner

Primary Examiner—Ian Simmons
Assistant Examiner—Melanie Levy
(74) *Attorney, Agent, or Firm*—Duane Morris, LLP

(57) **CLAIM**

The ornamental design for a pistol, as shown and described.

DESCRIPTION

FIG. 1 is a right side view of a pistol according to a first preferred embodiment of the new design;
FIG. 2 is a left side view thereof;
FIG. 3 is a front view thereof;
FIG. 4 is a rear view thereof;
FIG. 5 is a top view thereof;
FIG. 6 is a bottom view thereof;
FIG. 7 is a right side view of a pistol according to a second preferred embodiment of the new design;
FIG. 8 is a left side view of FIG. 7; and,
FIG. 9 is a rear view of FIG. 7.

The front and top views of the second preferred embodiment are the same as those corresponding views in the first preferred embodiment shown in FIGS. 3 and 5 respectively. All broken lines shown in the drawings are for illustrative purposes only and form no part of the claimed design.

1 Claim, 5 Drawing Sheets

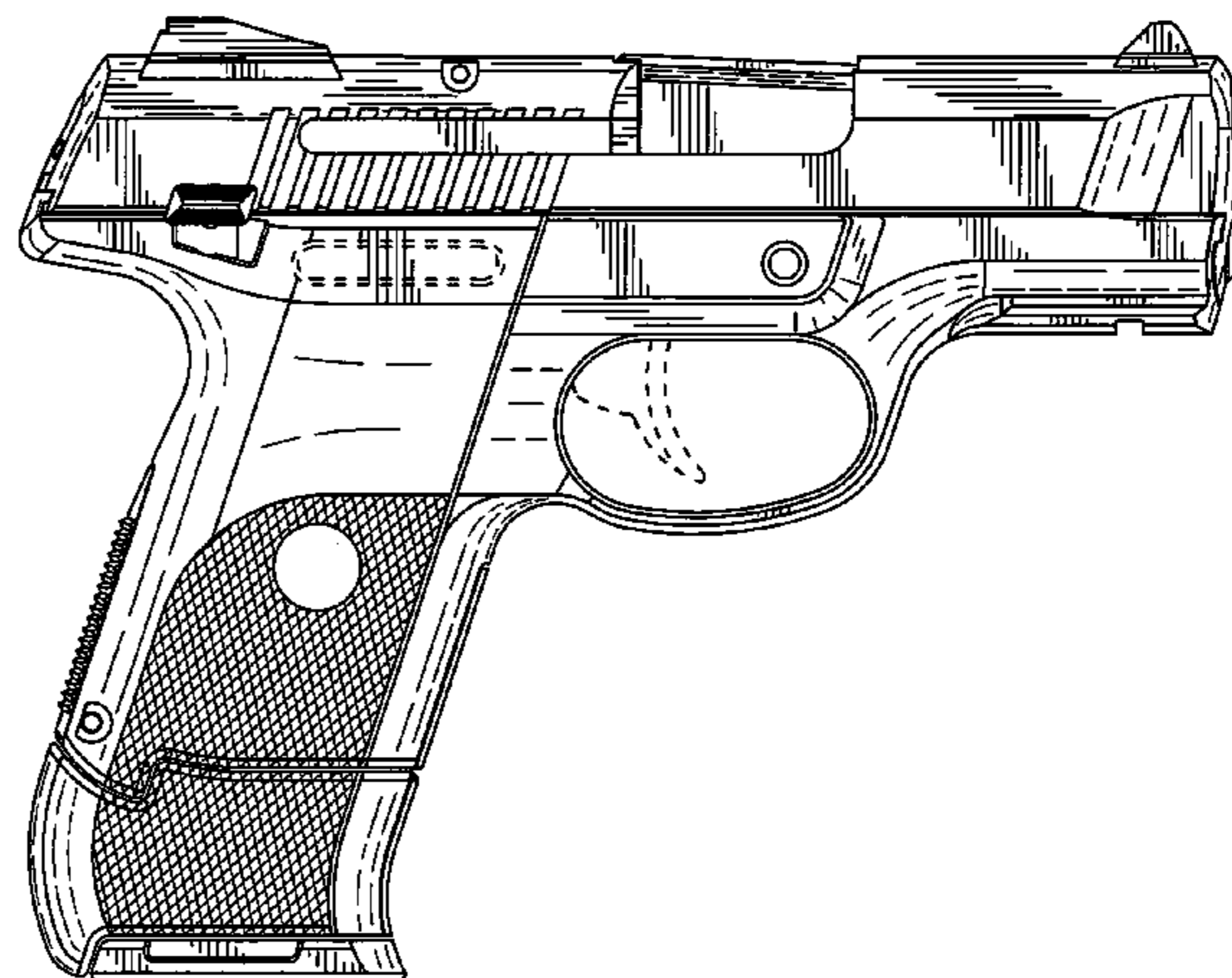
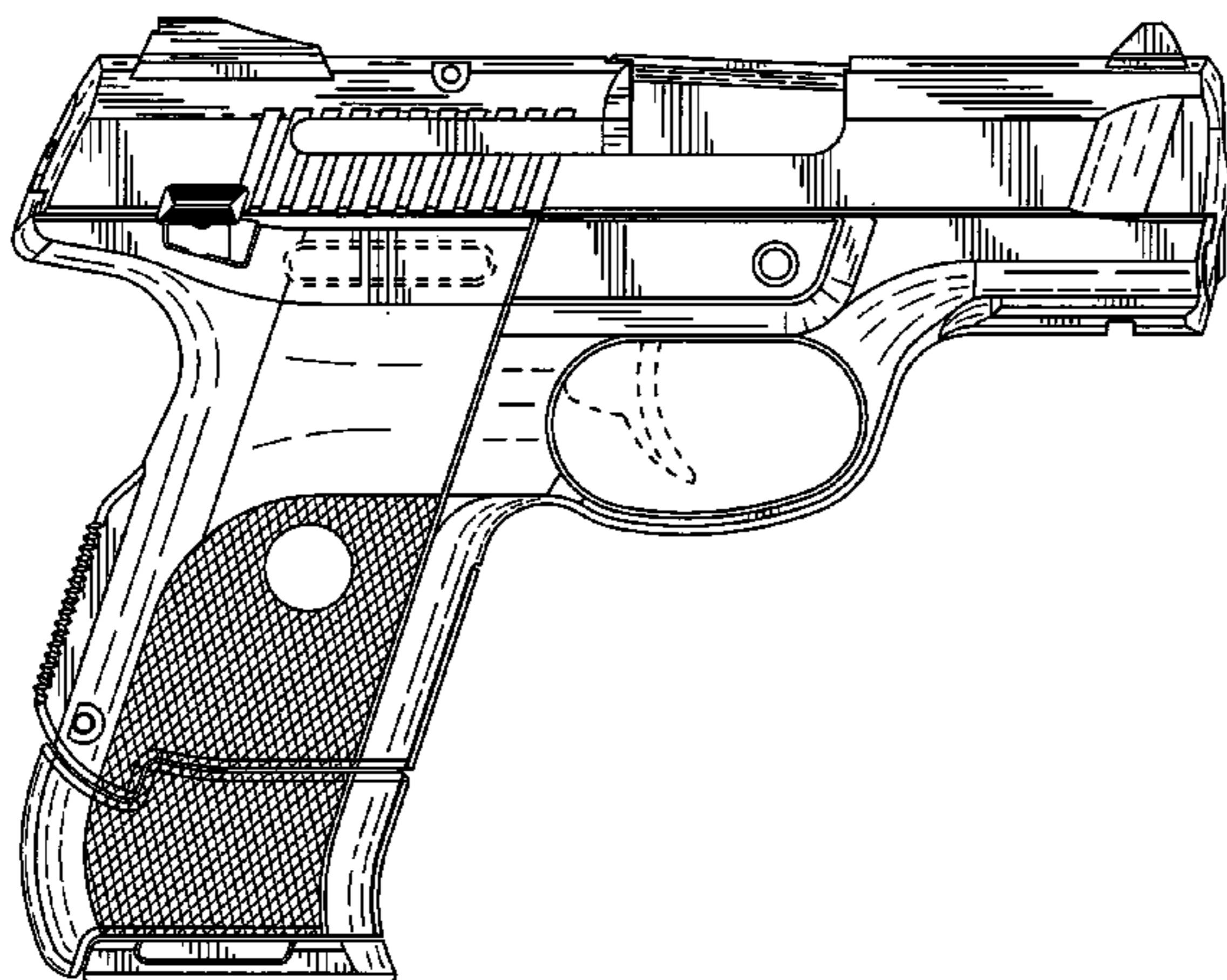


FIG. 1

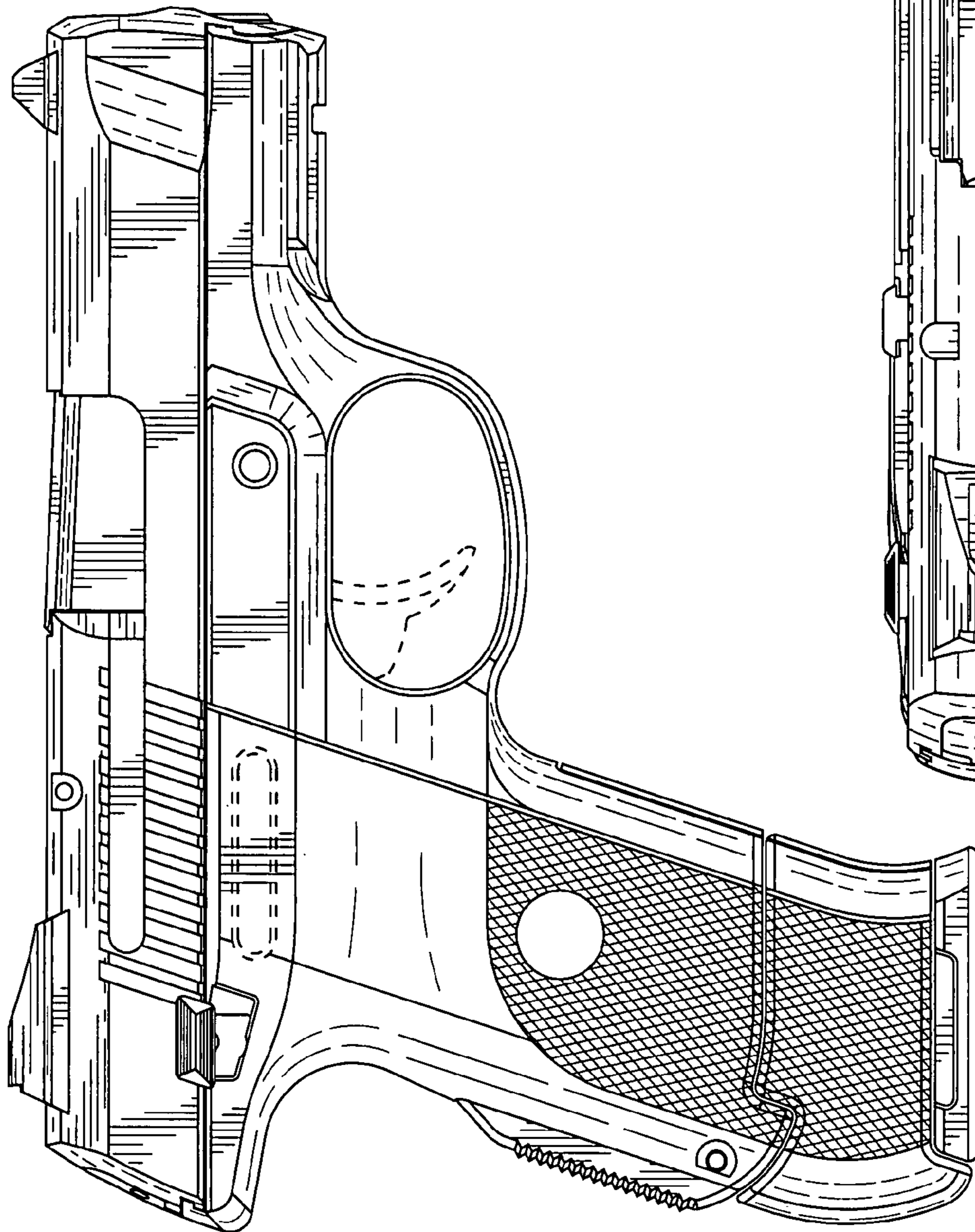
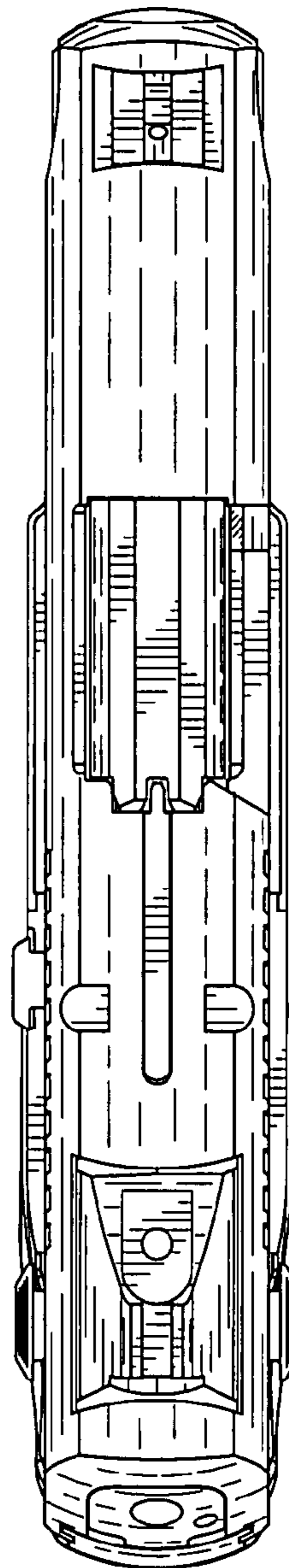


FIG. 5



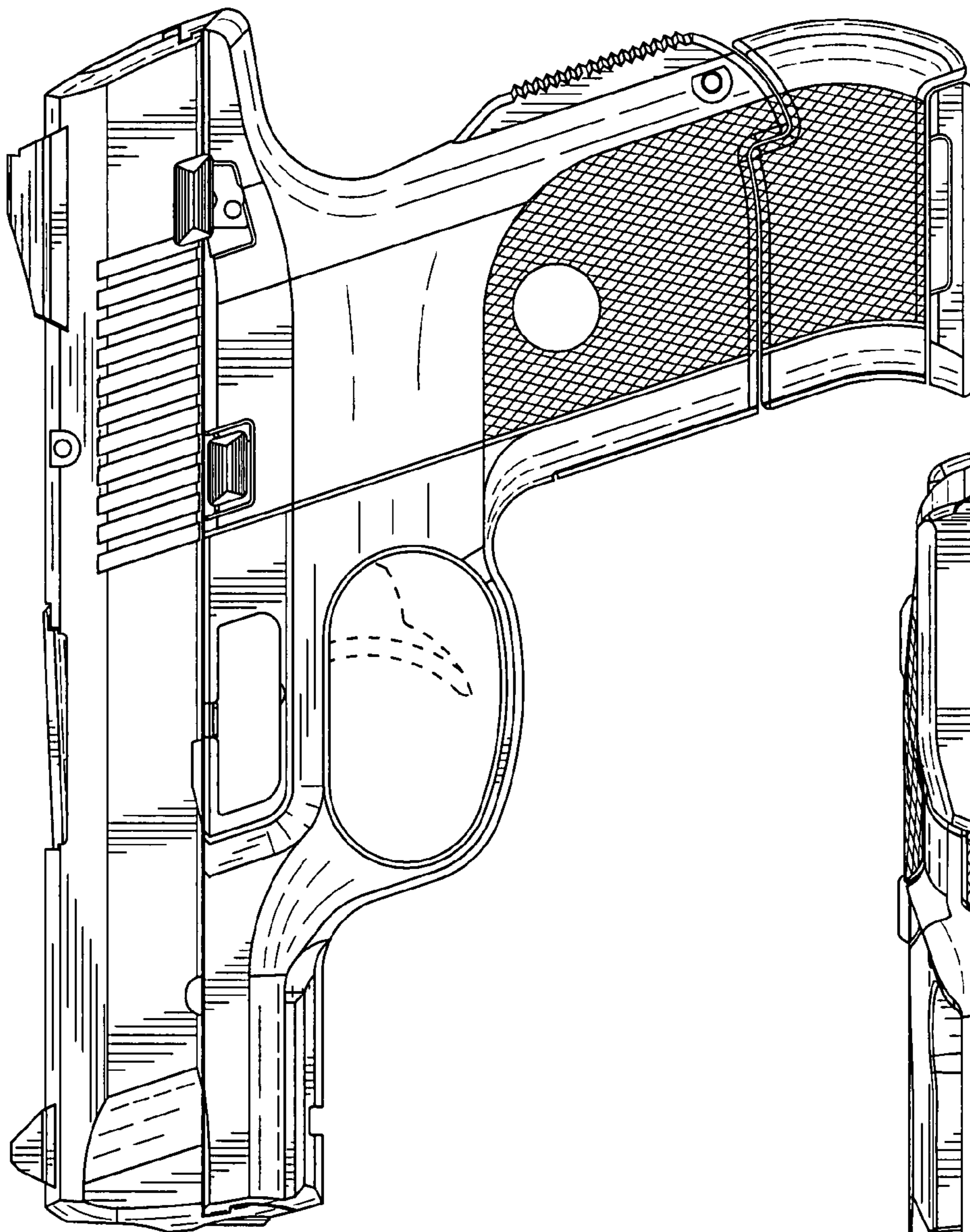


FIG. 2

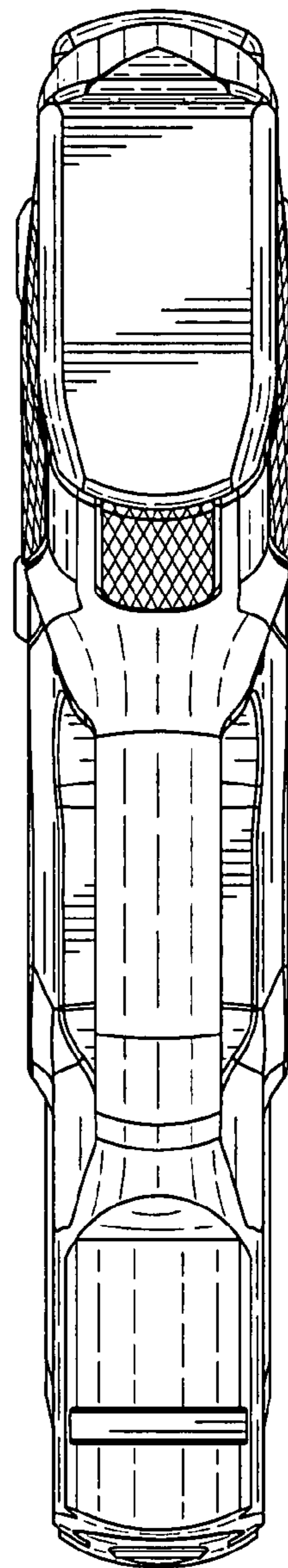


FIG. 6

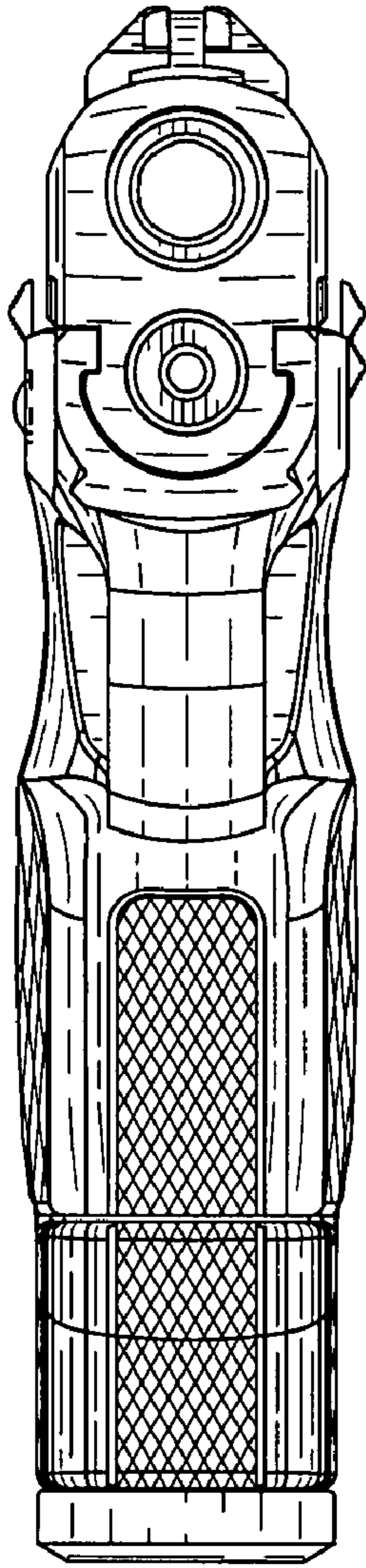


FIG. 3

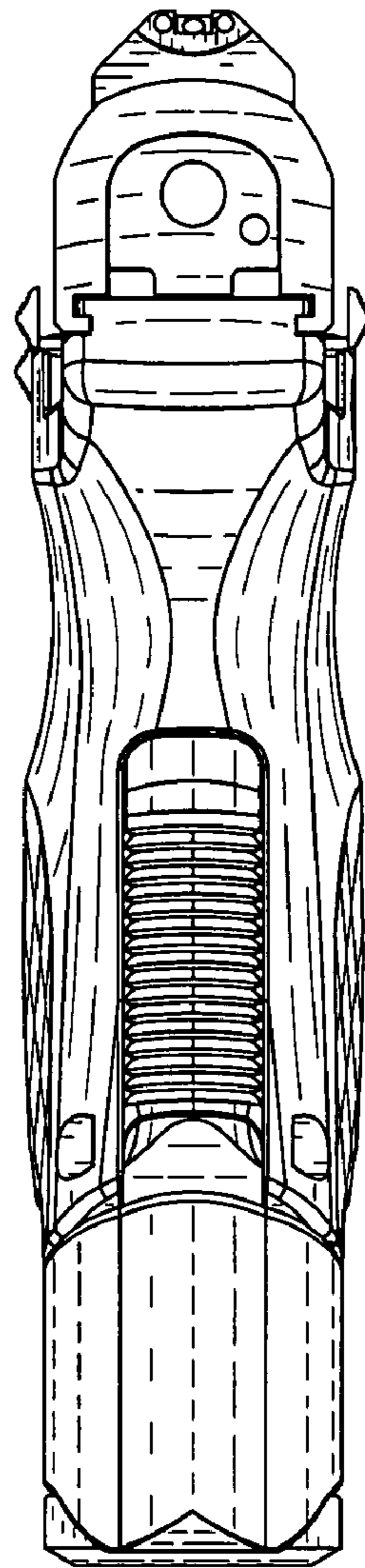
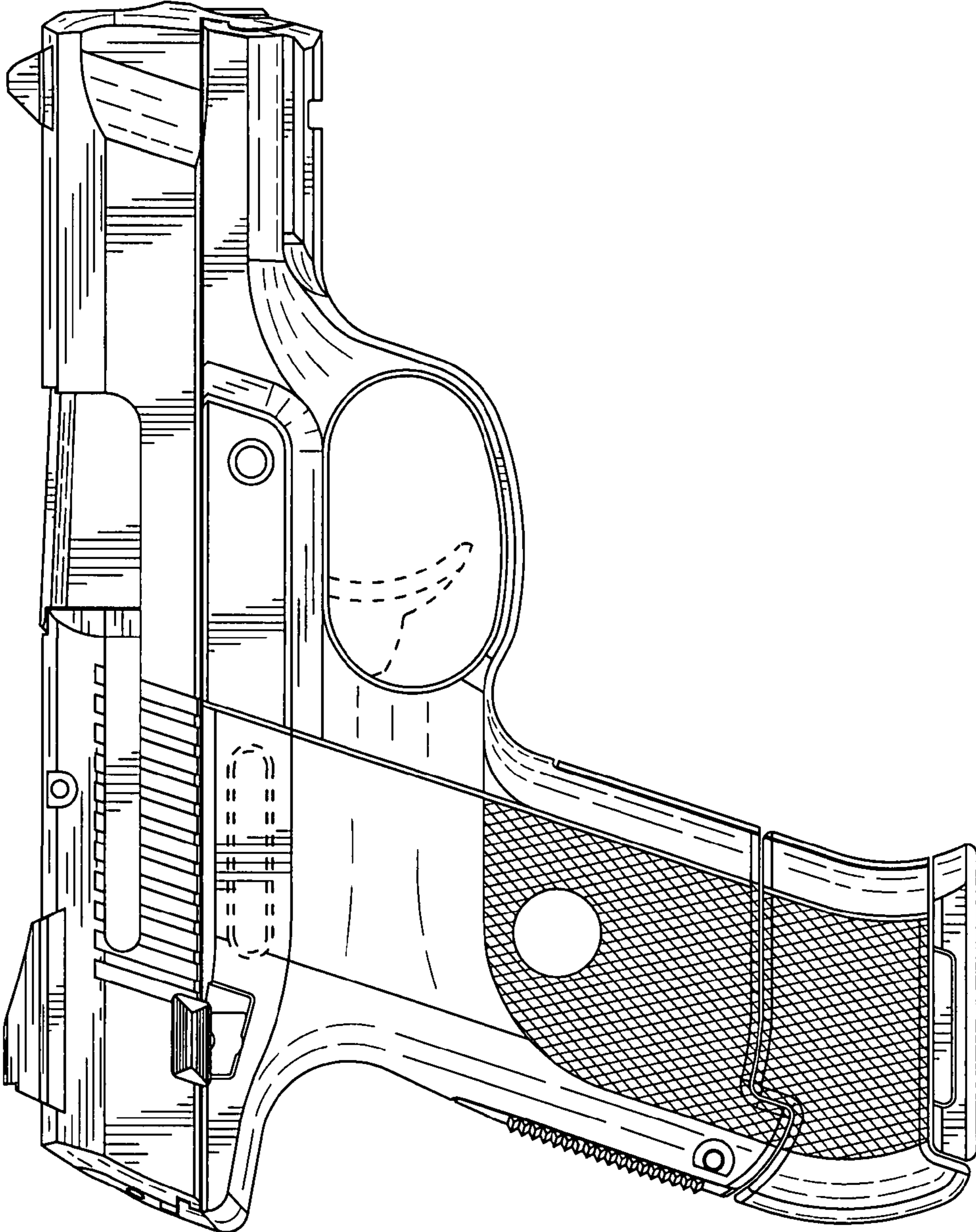


FIG. 4

FIG. 7



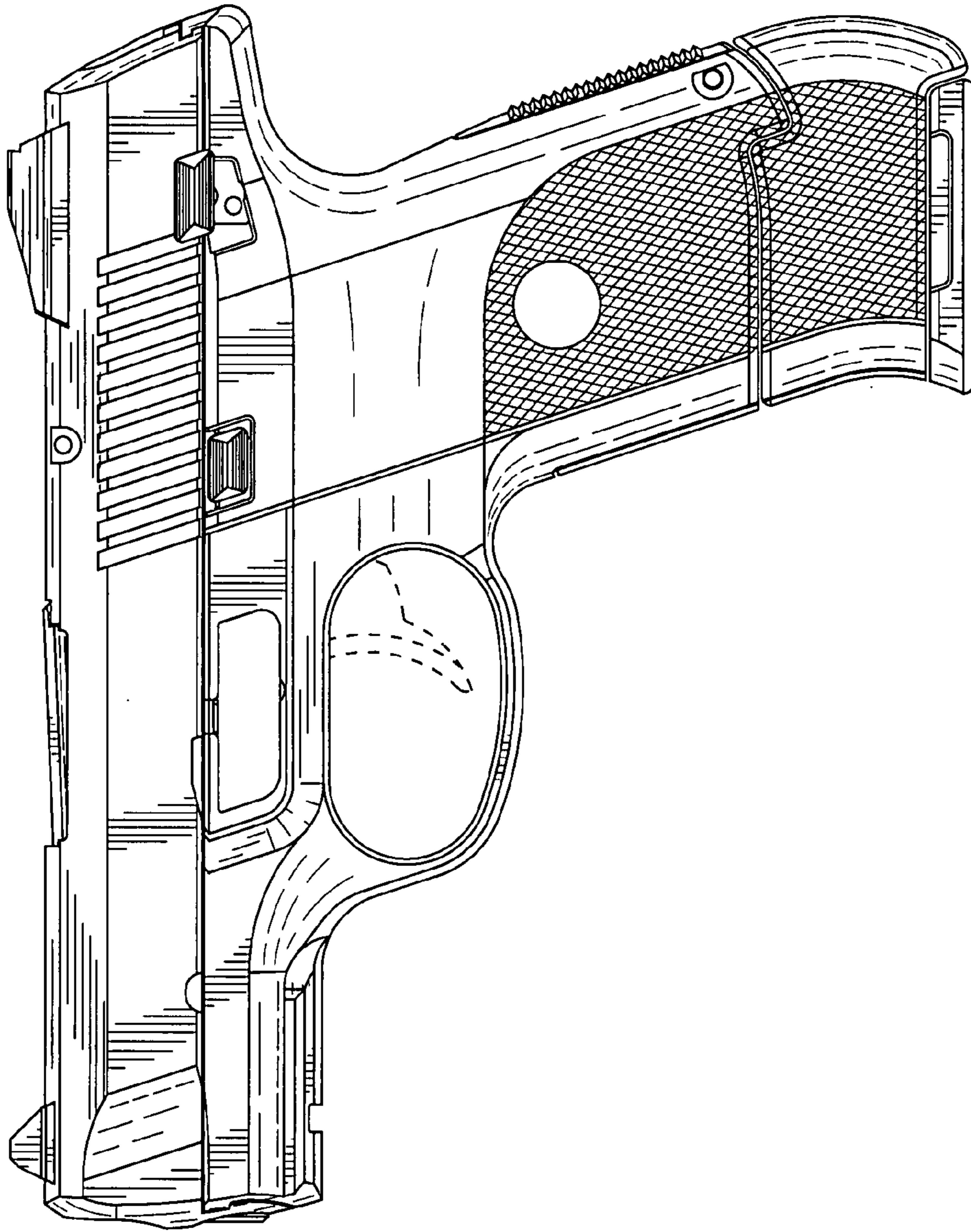


FIG. 8

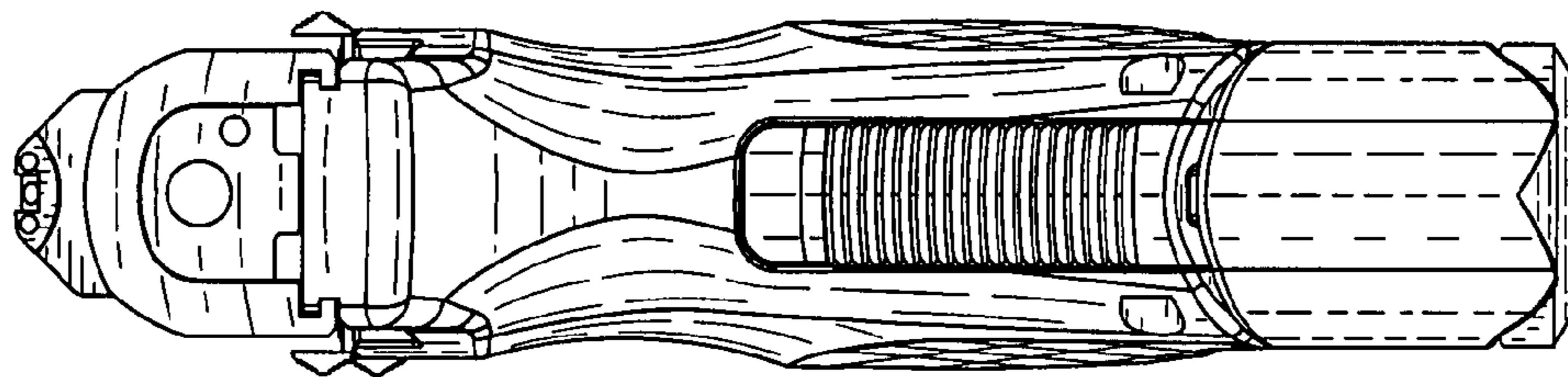


FIG. 9