

US00D584358S

(12) **United States Design Patent**
Schag

(10) **Patent No.:** **US D584,358 S**

(45) **Date of Patent:** **** Jan. 6, 2009**

(54) **STORAGE CAROUSEL**

(76) Inventor: **Maryam Schag**, 3145 W. Hidden Acres Trail, Prescott, AZ (US) 86305

(**) Term: **14 Years**

(21) Appl. No.: **29/284,980**

(22) Filed: **Sep. 19, 2007**

(51) **LOC (9) Cl.** **19-02**

(52) **U.S. Cl.** **D19/90**

(58) **Field of Classification Search** D6/449,
D6/458, 462, 466, 467; D19/75-78, 86,
D19/90-92; 40/377; 108/103; 206/215,
206/425; 211/10, 11, 45, 50, 53, 70, 129.1,
211/131.1

See application file for complete search history.

(56) **References Cited**

U.S. PATENT DOCUMENTS

418,809	A *	1/1890	Mundy	312/249.3
1,930,844	A *	10/1933	Ruddell	211/144
2,553,507	A *	5/1951	Rosenberg	211/131.1
3,056,506	A *	10/1962	Fuller et al.	211/1.55
4,049,330	A *	9/1977	Schlapp	312/186
4,586,614	A *	5/1986	Ger	211/141.1
4,621,746	A *	11/1986	Reichle et al.	211/131.1
D320,046	S *	9/1991	Clinehens	D19/90
5,524,775	A *	6/1996	Kaine	211/131.1

D454,160	S *	3/2002	Miller	D19/90
D455,577	S *	4/2002	Wilson, Jr.	D6/449
7,222,739	B2 *	5/2007	DeNatale, Jr.	211/40

* cited by examiner

Primary Examiner—Elizabeth A Albert

(74) *Attorney, Agent, or Firm*—QuickPatent, Inc.; Kevin Prince

(57) **CLAIM**

I claim the ornamental design for a storage carousel, as shown and described.

DESCRIPTION

FIG. 1 is a perspective view of a storage carousel, showing my new design;

FIG. 2 is a front elevational view of the invention;

FIG. 3 is a rear elevational view of the invention;

FIG. 4 is a left-side elevational view of the invention;

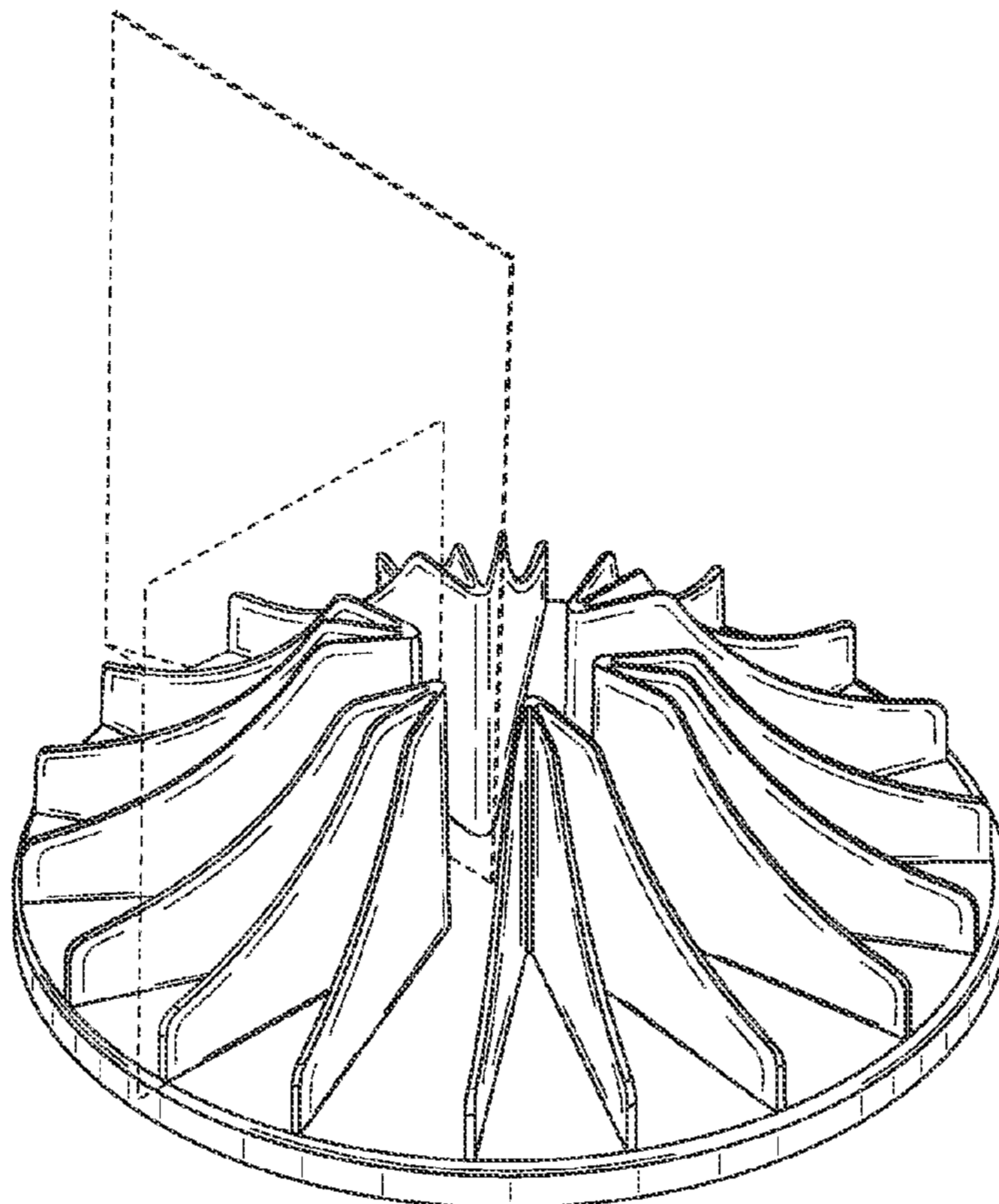
FIG. 5 is a right-side elevational view of the invention;

FIG. 6 is a top plan view of the invention; and,

FIG. 7 is a bottom plan view of the invention.

The broken line showing two substantially planar objects in FIG. 1 is included for the purpose of illustrating the device in use, and forms no part of the claimed design.

1 Claim, 3 Drawing Sheets



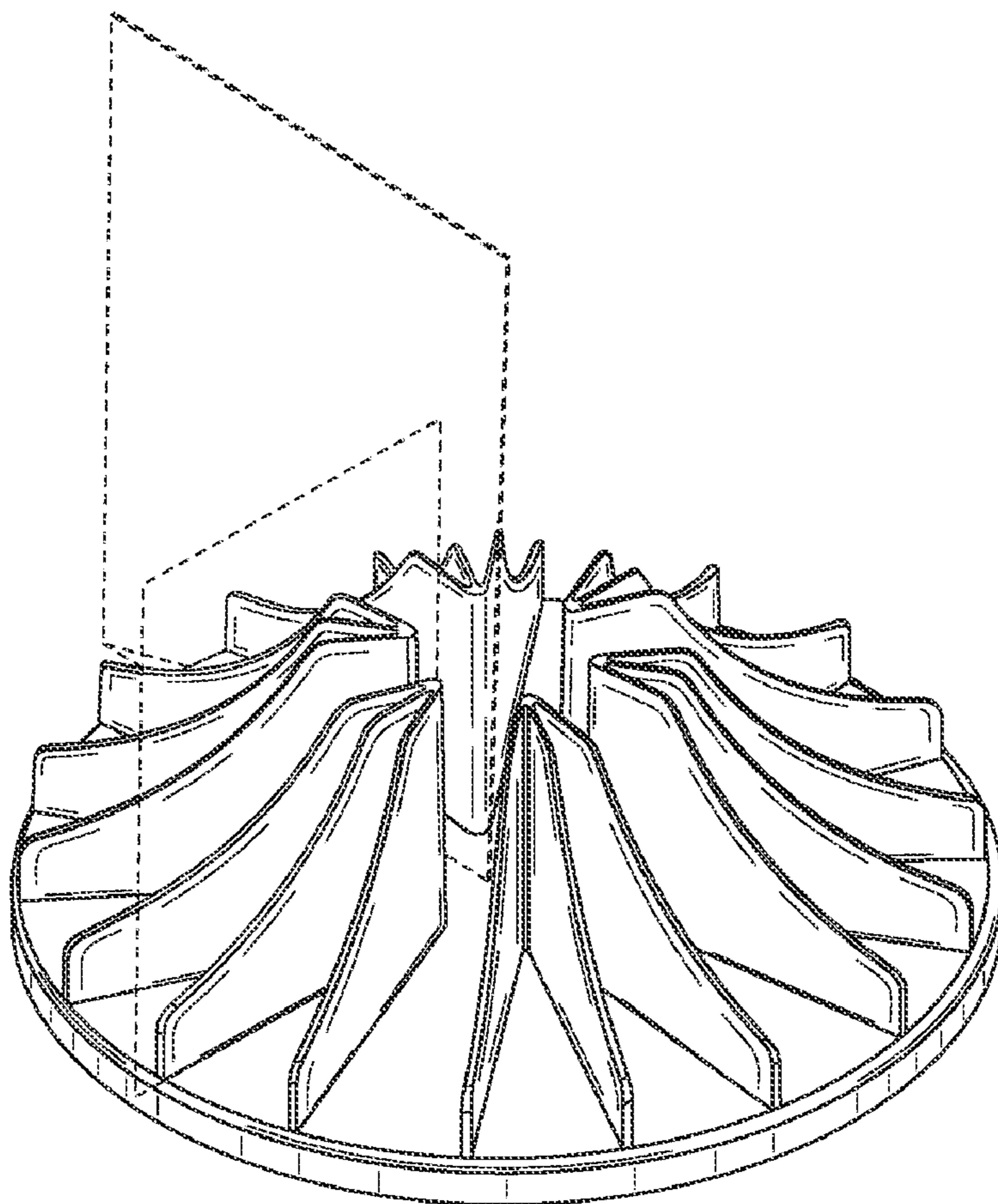


FIG. 1

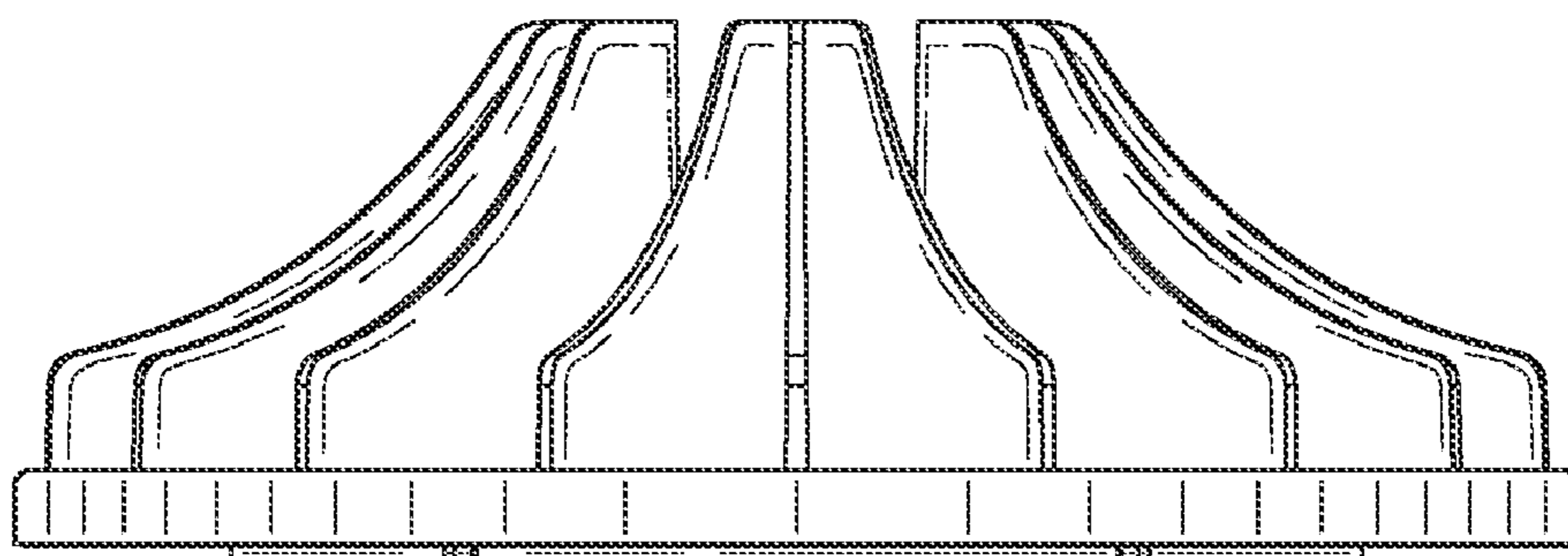


FIG. 2

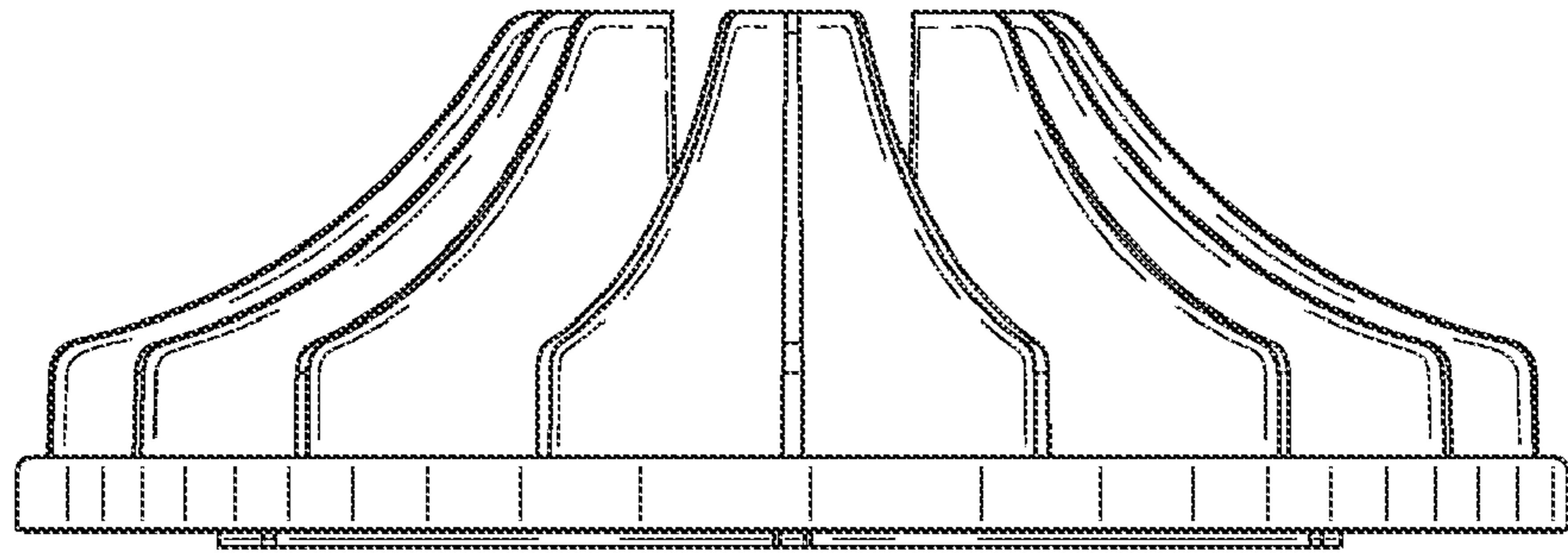


FIG. 3

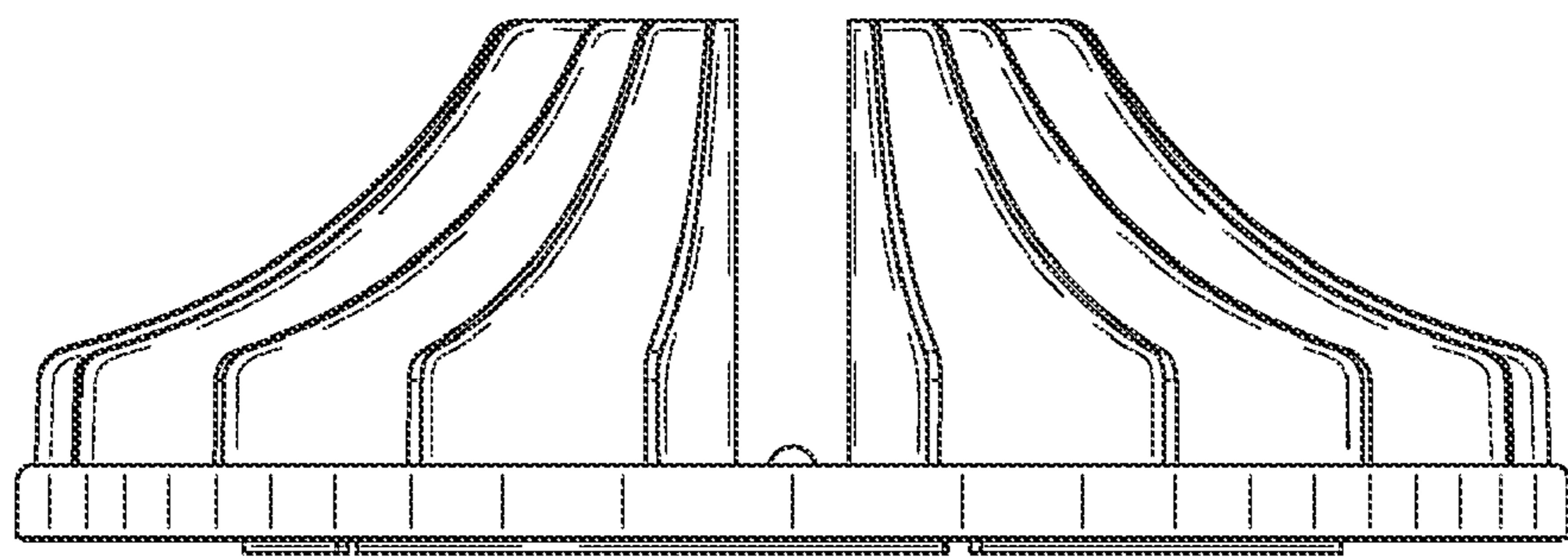


FIG. 4

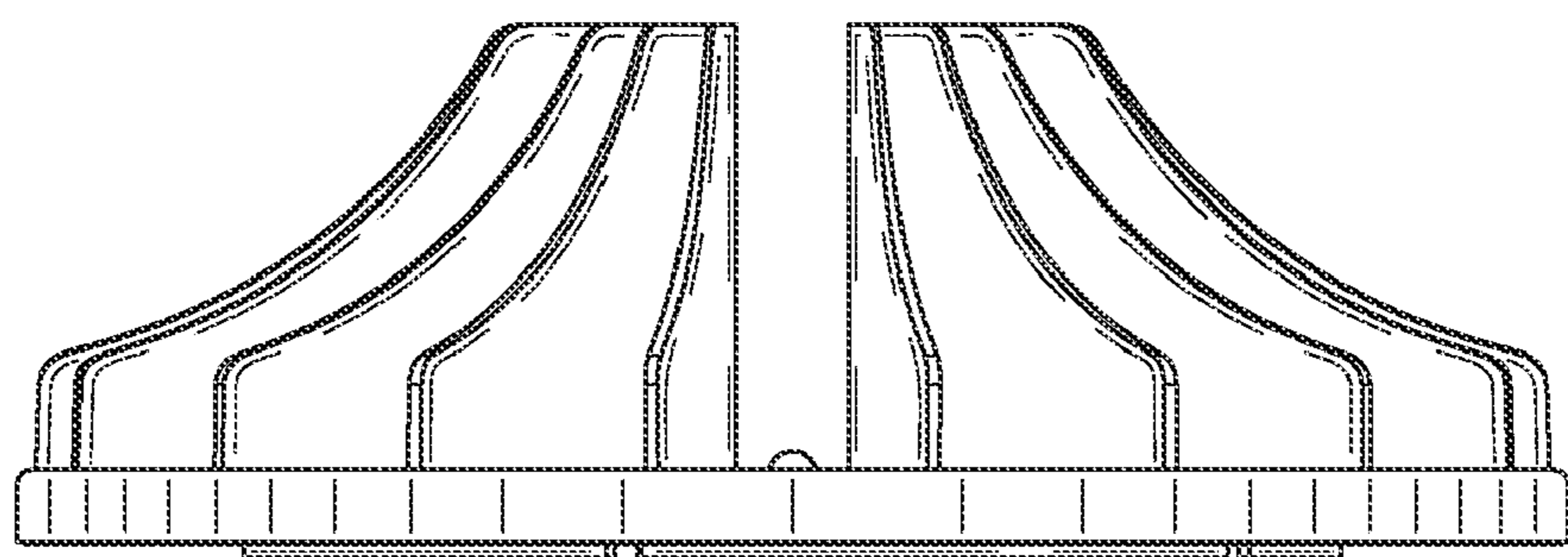


FIG. 5

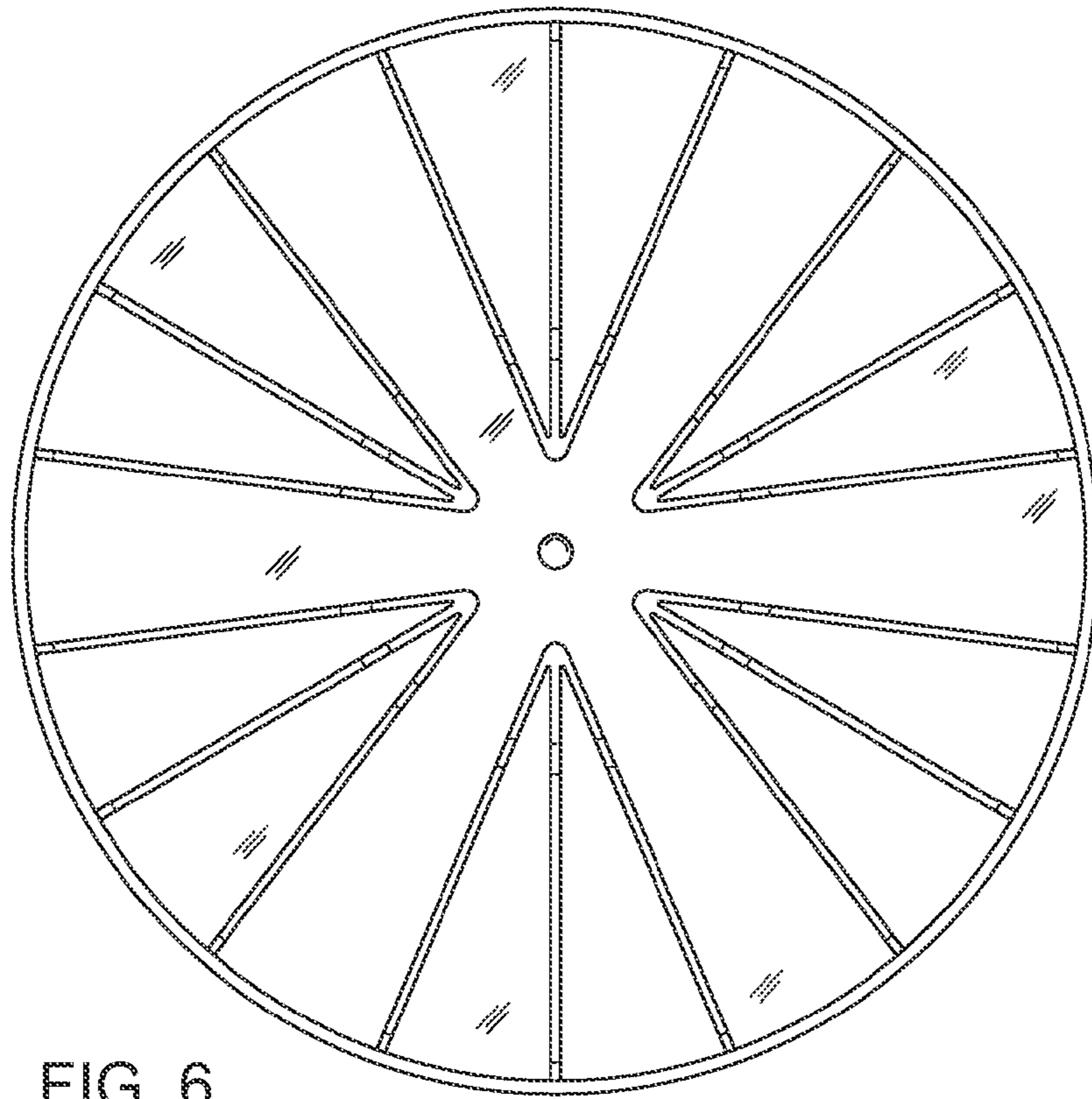


FIG. 6

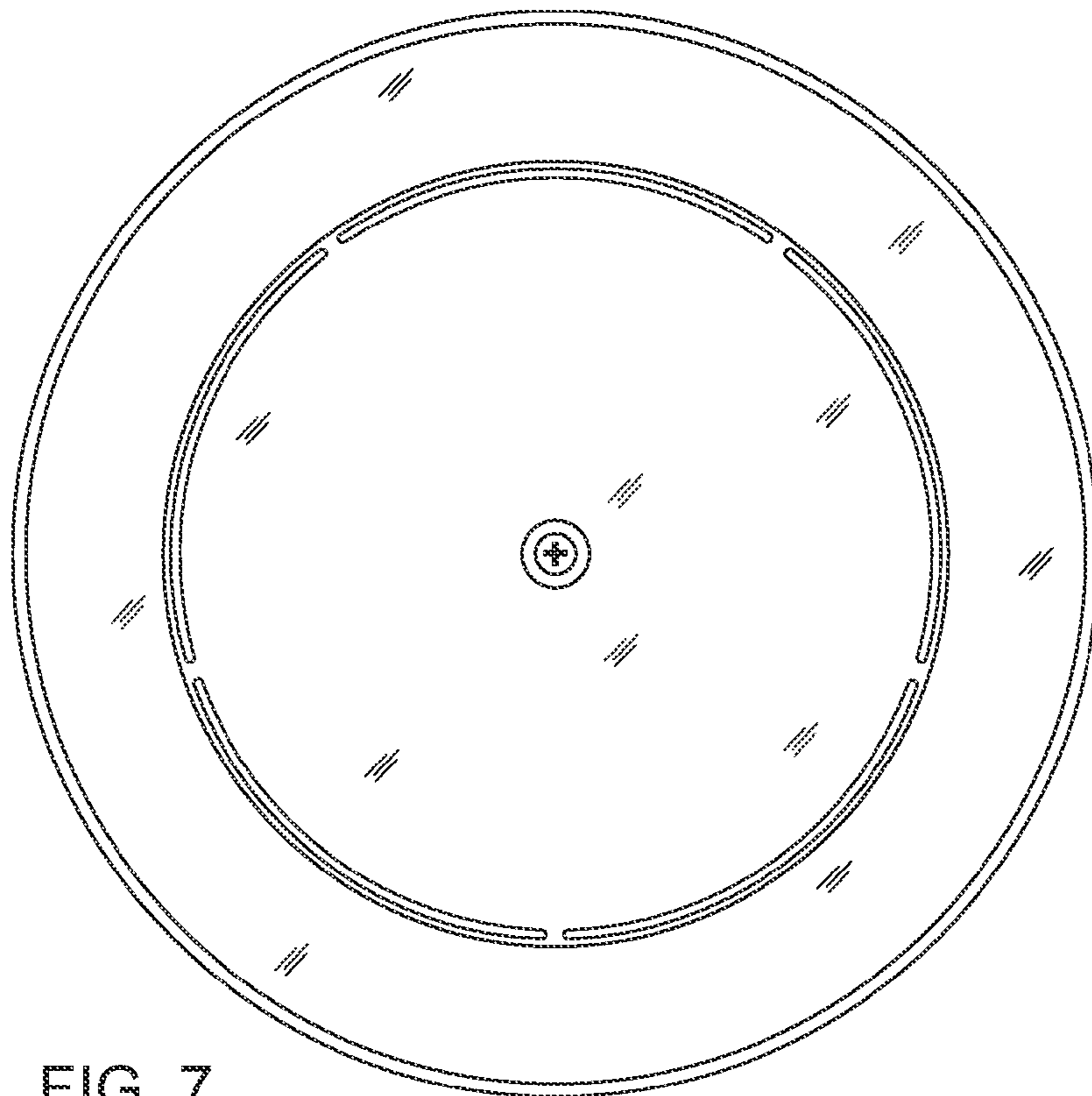


FIG. 7