



US00D584353S

(12) **United States Design Patent**  
**Schreff et al.**

(10) **Patent No.:** **US D584,353 S**  
(45) **Date of Patent:** **\*\* Jan. 6, 2009**

(54) **HOLDER FOR WRITING OR DRAWING INSTRUMENTS**

(75) Inventors: **David J Schreff**, Cos Cob, CT (US);  
**Donna J Lindsay**, Huddleston, VA (US)

(73) Assignee: **Claw LLC**, Huddleston, VA (US)

(\*\*) Term: **14 Years**

(21) Appl. No.: **29/279,086**

(22) Filed: **Apr. 19, 2007**

(51) **LOC (9) Cl.** ..... **19-06**

(52) **U.S. Cl.** ..... **D19/36**

(58) **Field of Classification Search** ..... D8/396;  
D19/35, 36, 37, 81, 83, 84, 85; 33/41.1,  
33/41.4, 44, 578; 401/16, 17, 28, 29, 34,  
401/35, 36, 37; 248/74.4

See application file for complete search history.

(56) **References Cited**

**U.S. PATENT DOCUMENTS**

1,093,606	A	4/1914	Cooley	
D116,018	S	8/1939	Cathcard	
2,388,361	A *	11/1945	Lynex	33/41.1
3,355,808	A *	12/1967	Williams	33/32.1
3,896,527	A *	7/1975	Miller et al.	24/499
D258,864	S *	4/1981	Muller	D8/356
D259,934	S *	7/1981	Lovret	D15/5

(Continued)

*Primary Examiner*—Elizabeth A Albert

(57) **CLAIM**

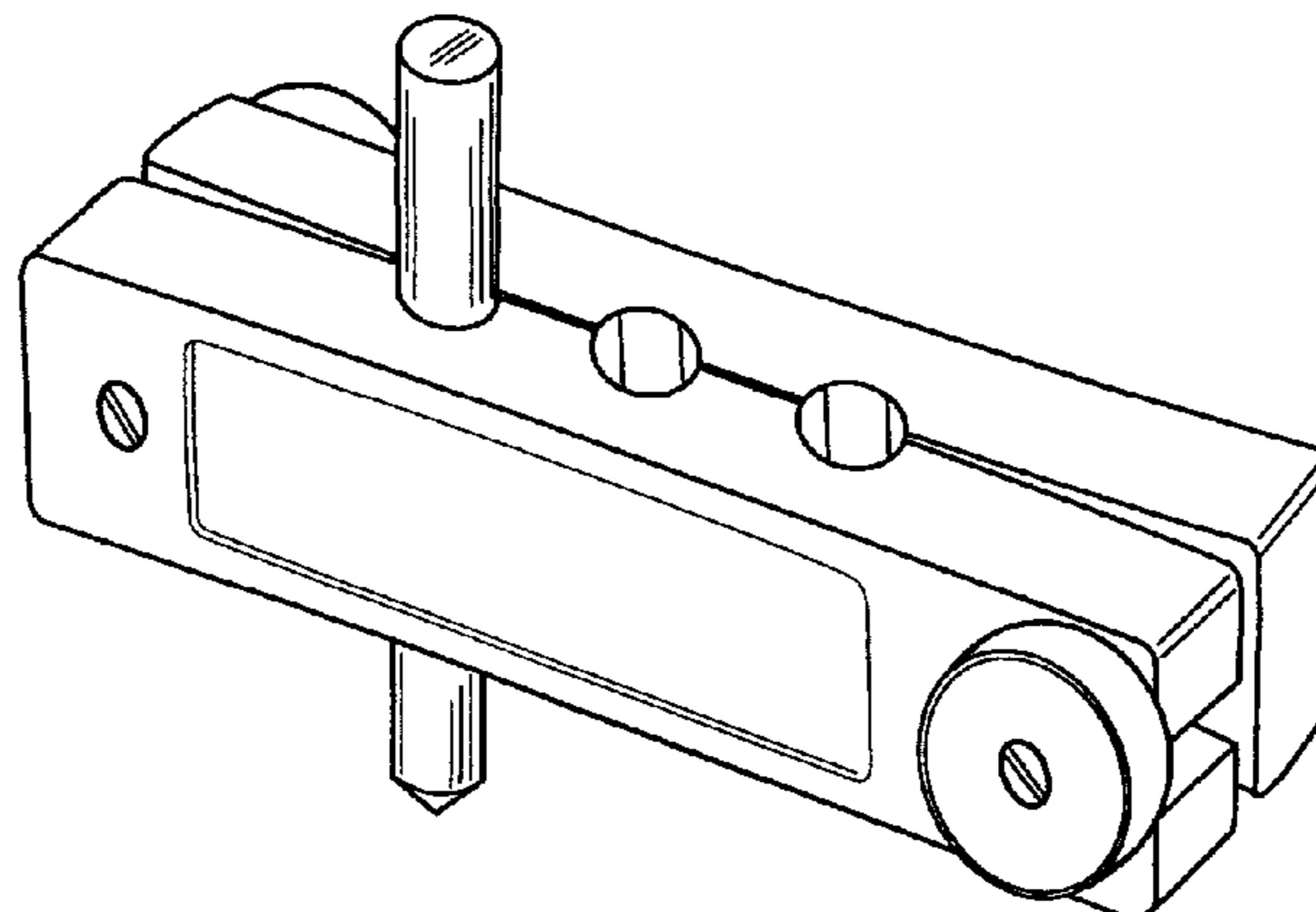
The ornamental design for a holder for writing or drawing instruments, as shown and described.

**DESCRIPTION**

FIG. 1 is a front perspective view of a first embodiment of a holder for writing or drawing instruments showing my new design;

FIG. 2 is an exploded front perspective view thereof;  
 FIG. 3 is a front elevational view of FIG. 1;  
 FIG. 4 is a back elevational view thereof;  
 FIG. 5 is a side elevational view of a writing or drawing instrument shown by itself without the holder for convenience of illustration;  
 FIG. 6 is a right side elevational view of FIG. 1;  
 FIG. 7 is a left side elevational view thereof;  
 FIG. 8 is a top plan view thereof;  
 FIG. 9 is a bottom plan view thereof;  
 FIG. 10 is a front perspective view of a second embodiment of a holder for writing or drawings instruments;  
 FIG. 11 is an exploded front perspective view thereof;  
 FIG. 12 is a front elevational view of FIG. 10;  
 FIG. 13 is a back elevational view thereof;  
 FIG. 14 is a side elevational view of a writing or drawing instrument shown by itself without the holder for convenience of illustration;  
 FIG. 15 is a right side elevational view of FIG. 10;  
 FIG. 16 is a left side elevational view thereof;  
 FIG. 17 is a top plan view thereof;  
 FIG. 18 is a bottom plan view thereof;  
 FIG. 19 is a front perspective view of a third embodiment of a holder for writing or drawing instruments;  
 FIG. 20 is an exploded front perspective view thereof;  
 FIG. 21 is a front elevational view of FIG. 19;  
 FIG. 22 is a back elevational view thereof;  
 FIG. 23 is a side elevational view of a writing or drawing instrument shown by itself without the holder for convenience of illustration;  
 FIG. 24 is a right side elevational view of FIG. 19;  
 FIG. 25 is a left side elevational view thereof;  
 FIG. 26 is a top plan view thereof; and,  
 FIG. 27 is a bottom plan view thereof.

**1 Claim, 9 Drawing Sheets**



# US D584,353 S

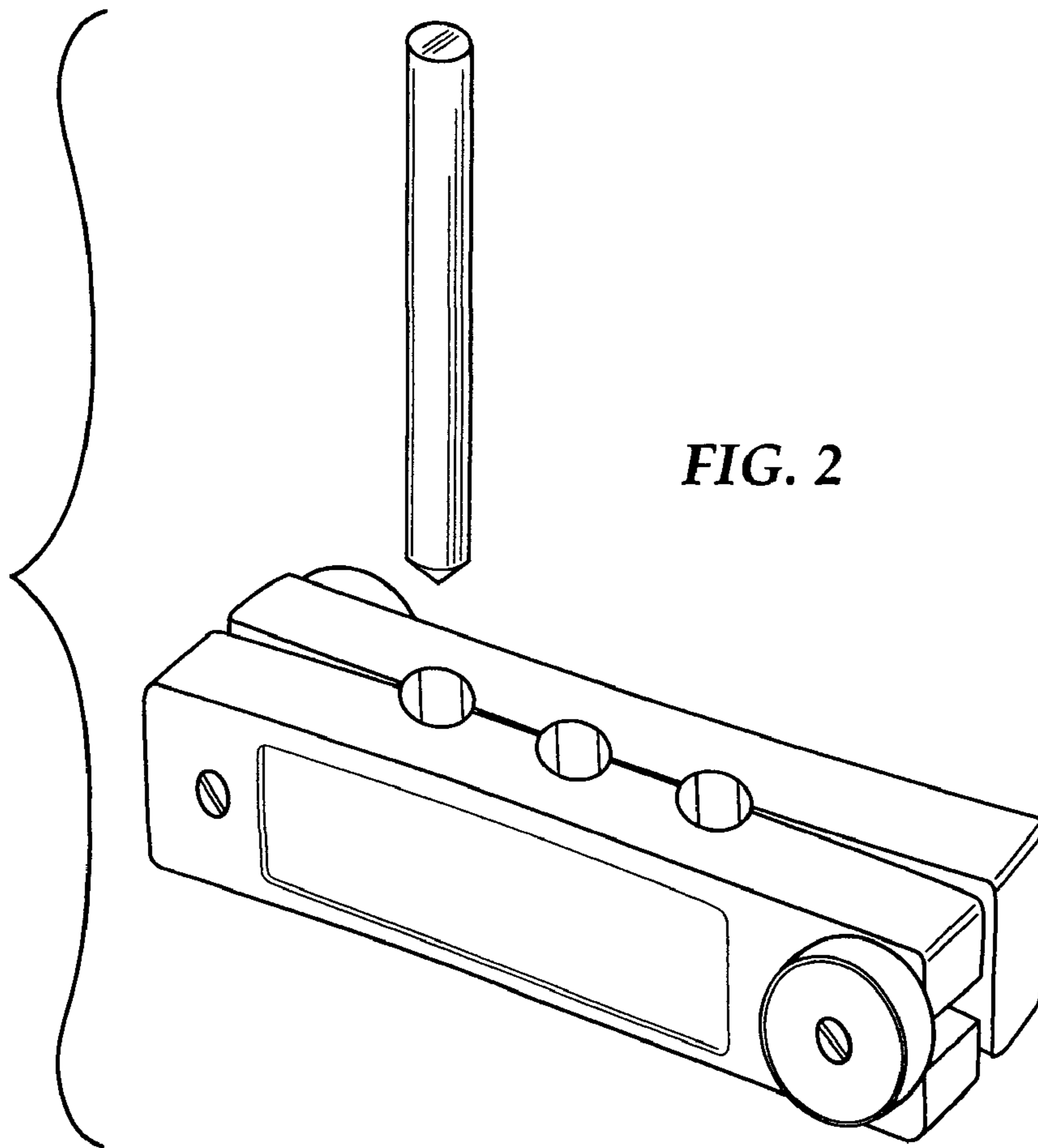
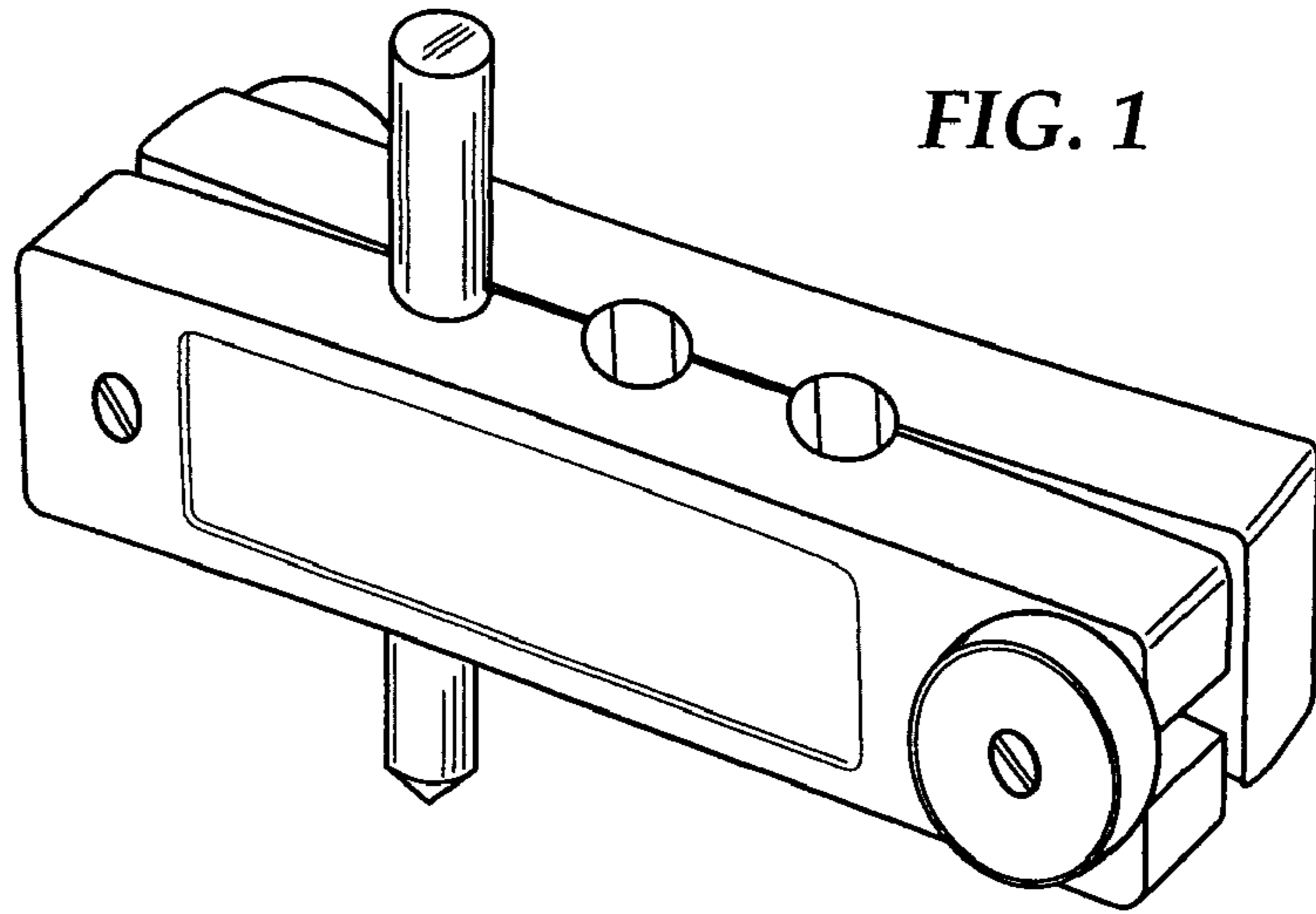
Page 2

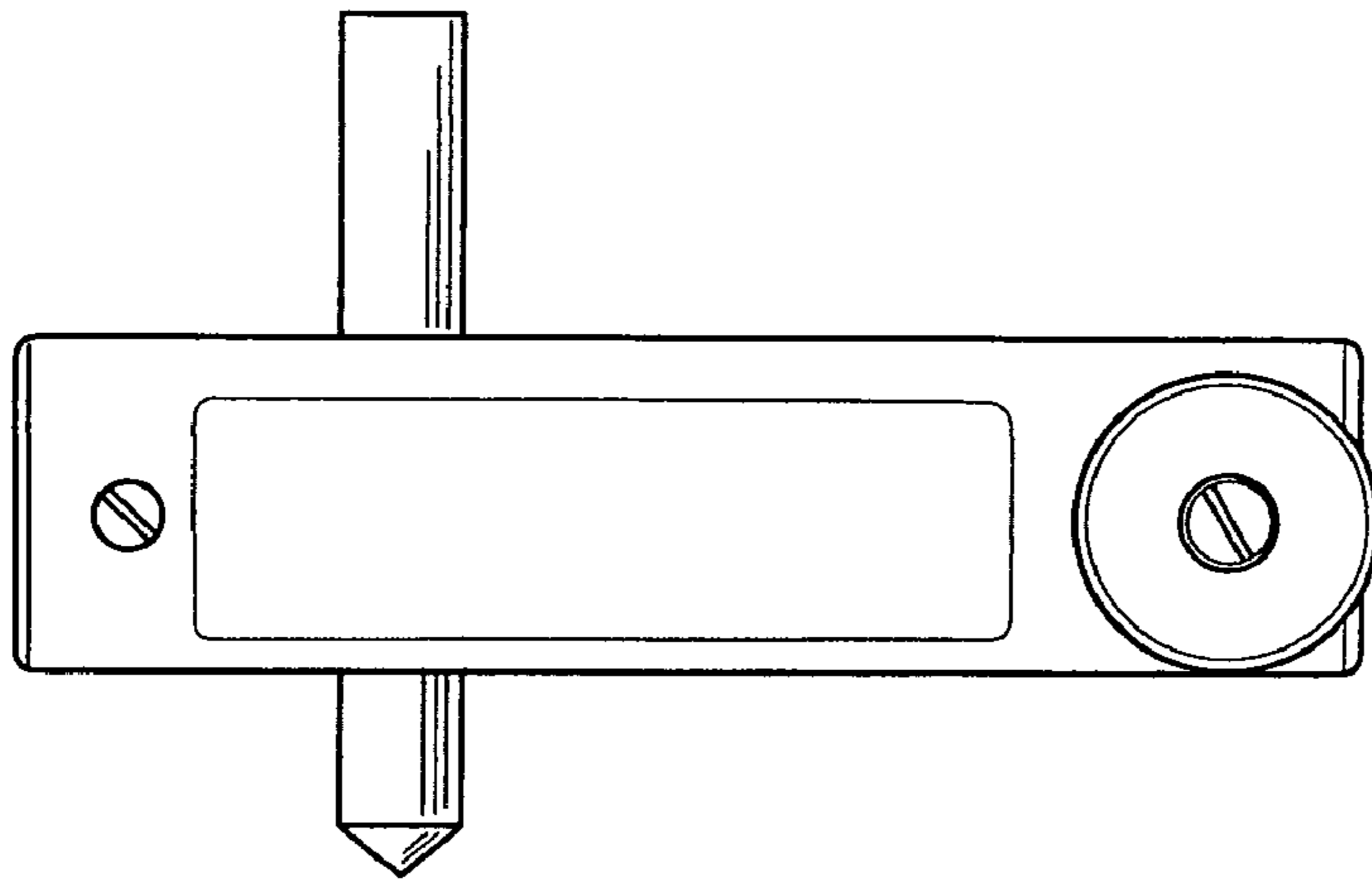
---

## U.S. PATENT DOCUMENTS

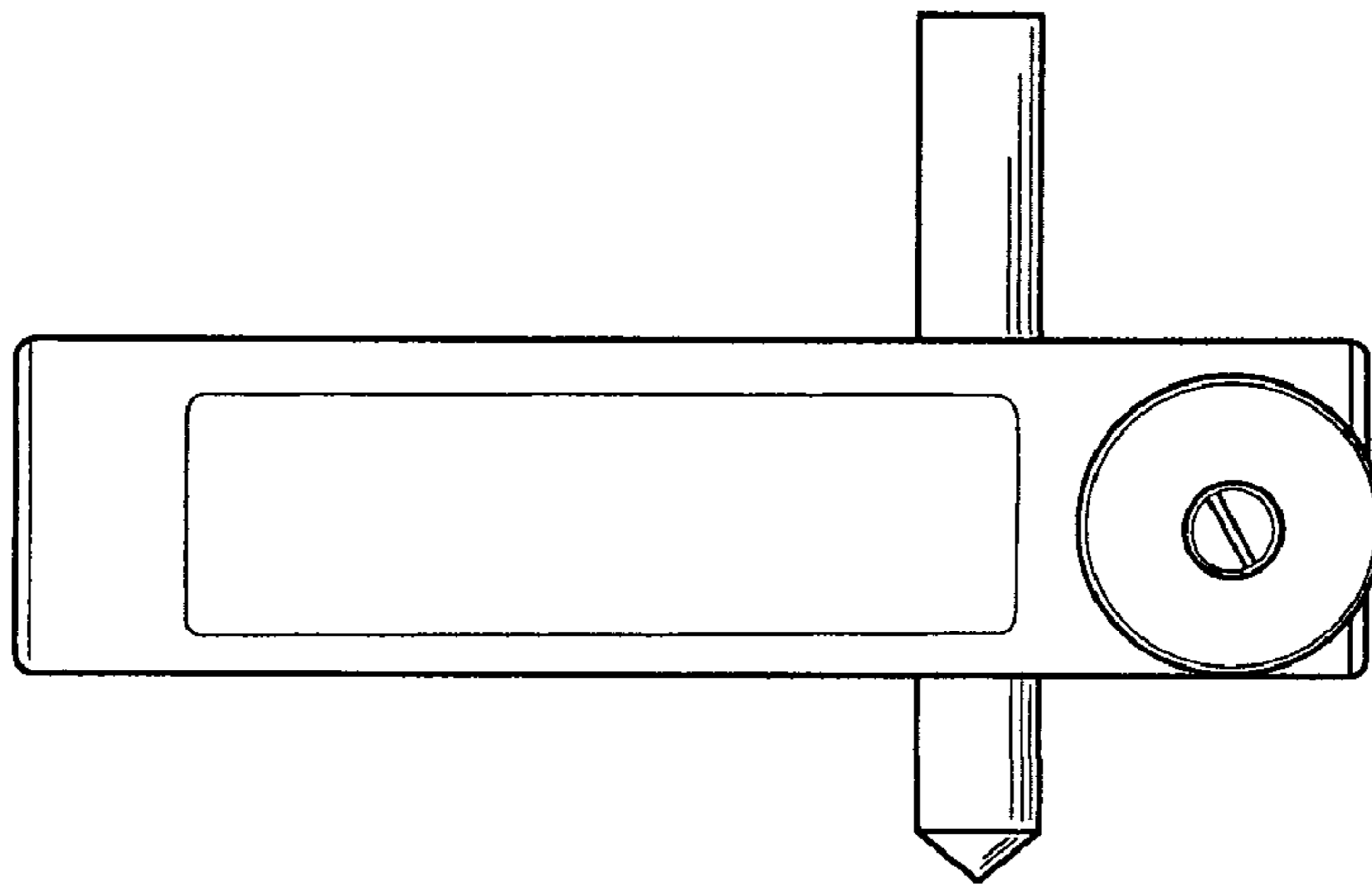
D306,315 S	2/1990	Shintani		D387,978 S *	12/1997	McNally, Jr. ....	D8/356
5,017,034 A	5/1991	Stary et al.		D390,447 S *	2/1998	Colen, Jr. ....	D8/356
5,060,810 A *	10/1991	Jones .....	211/59.4	6,041,507 A *	3/2000	Dutcher et al. ....	33/41.4
D339,377 S	9/1993	Irving		6,193,195 B1 *	2/2001	Owens .....	248/68.1
D342,968 S	1/1994	Meinke		D443,201 S *	6/2001	Bendick .....	D8/394
D368,277 S *	3/1996	Schuster et al. ....	D19/85	D499,764 S *	12/2004	Arnold .....	D19/84
D368,737 S	4/1996	Dunn		2003/0175066 A1 *	9/2003	Steckler .....	401/131
D386,787 S *	11/1997	Quinlan et al. ....	D19/36	2004/0049936 A1 *	3/2004	Newman .....	33/613

\* cited by examiner





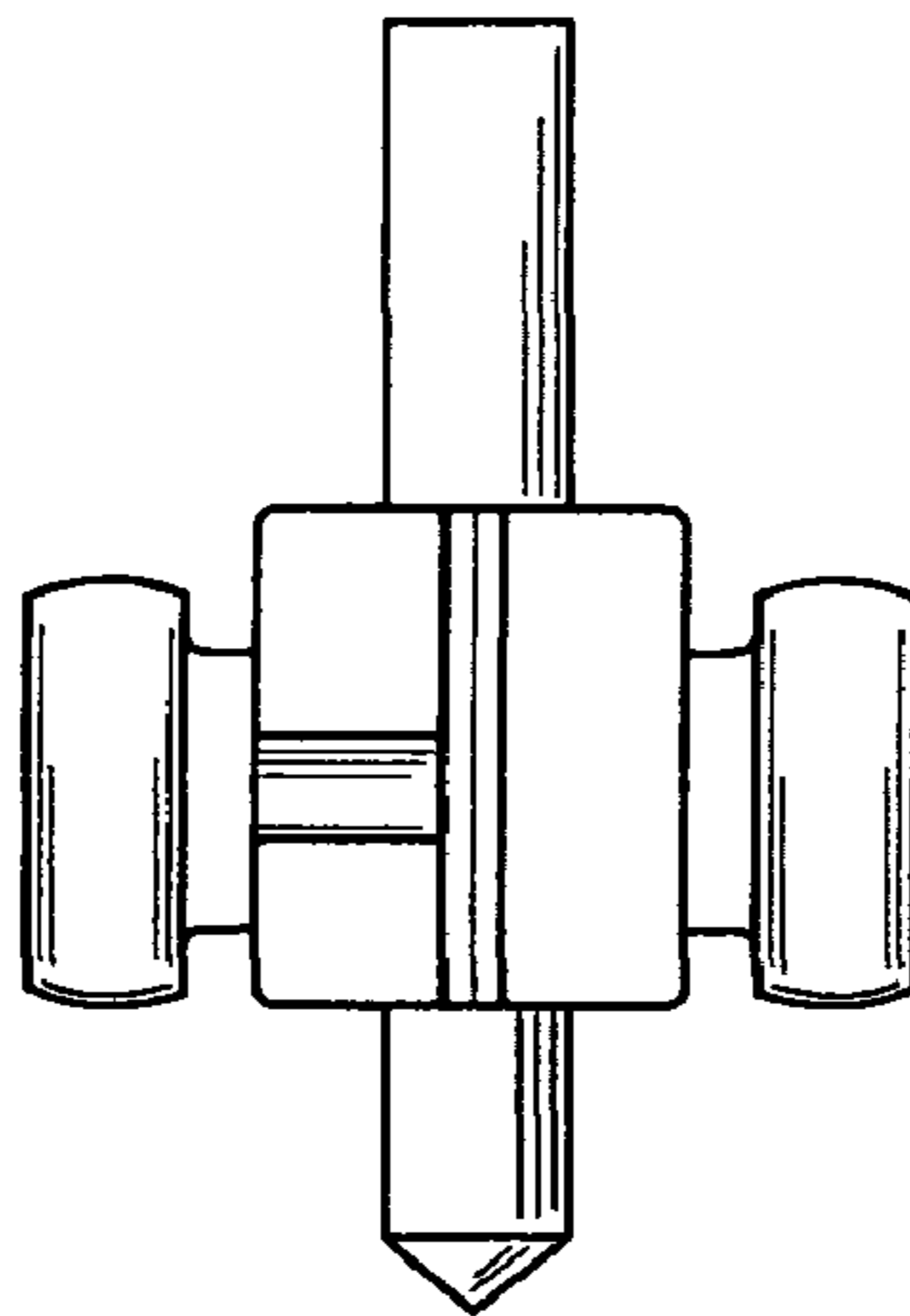
*FIG. 3*



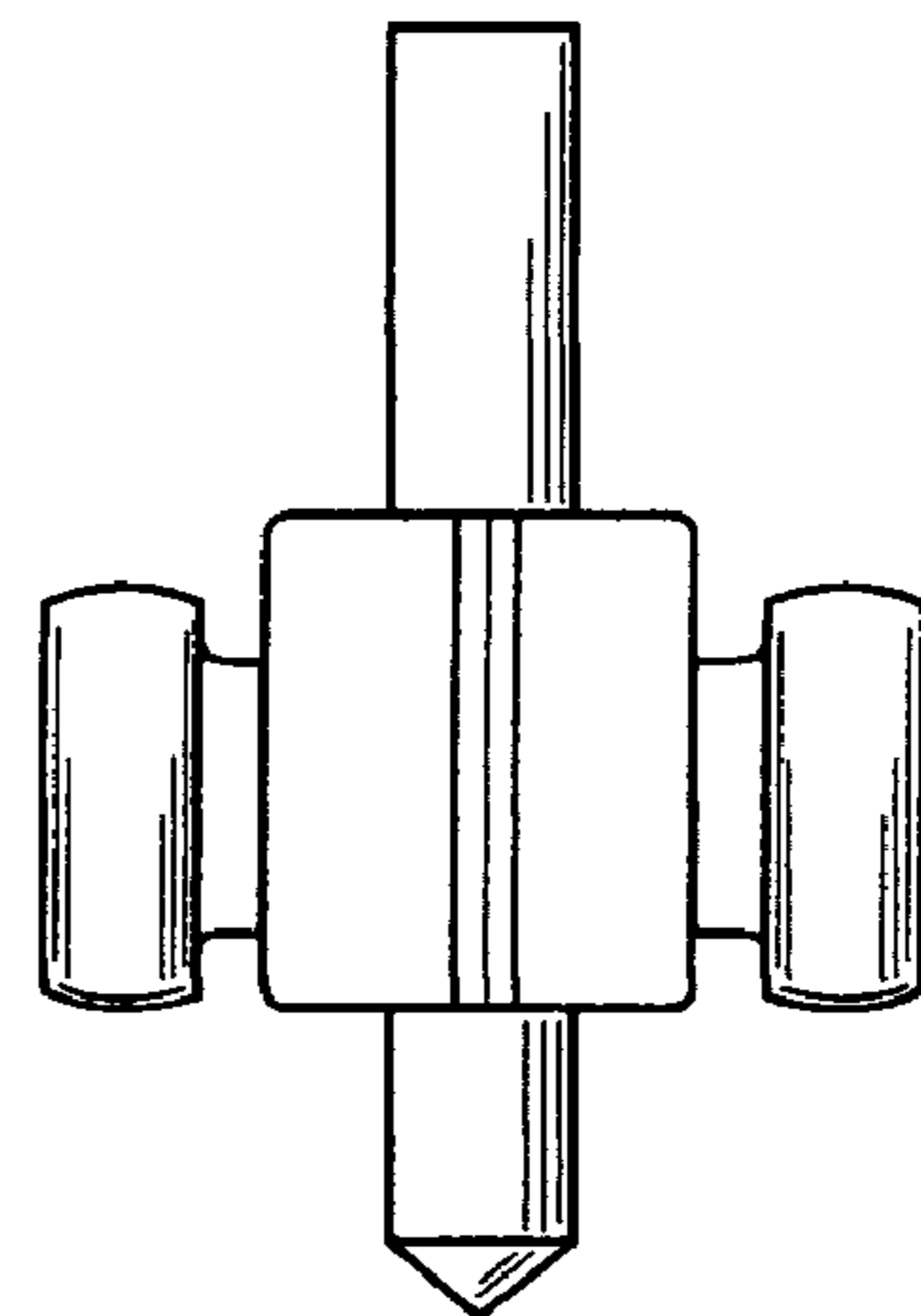
*FIG. 4*



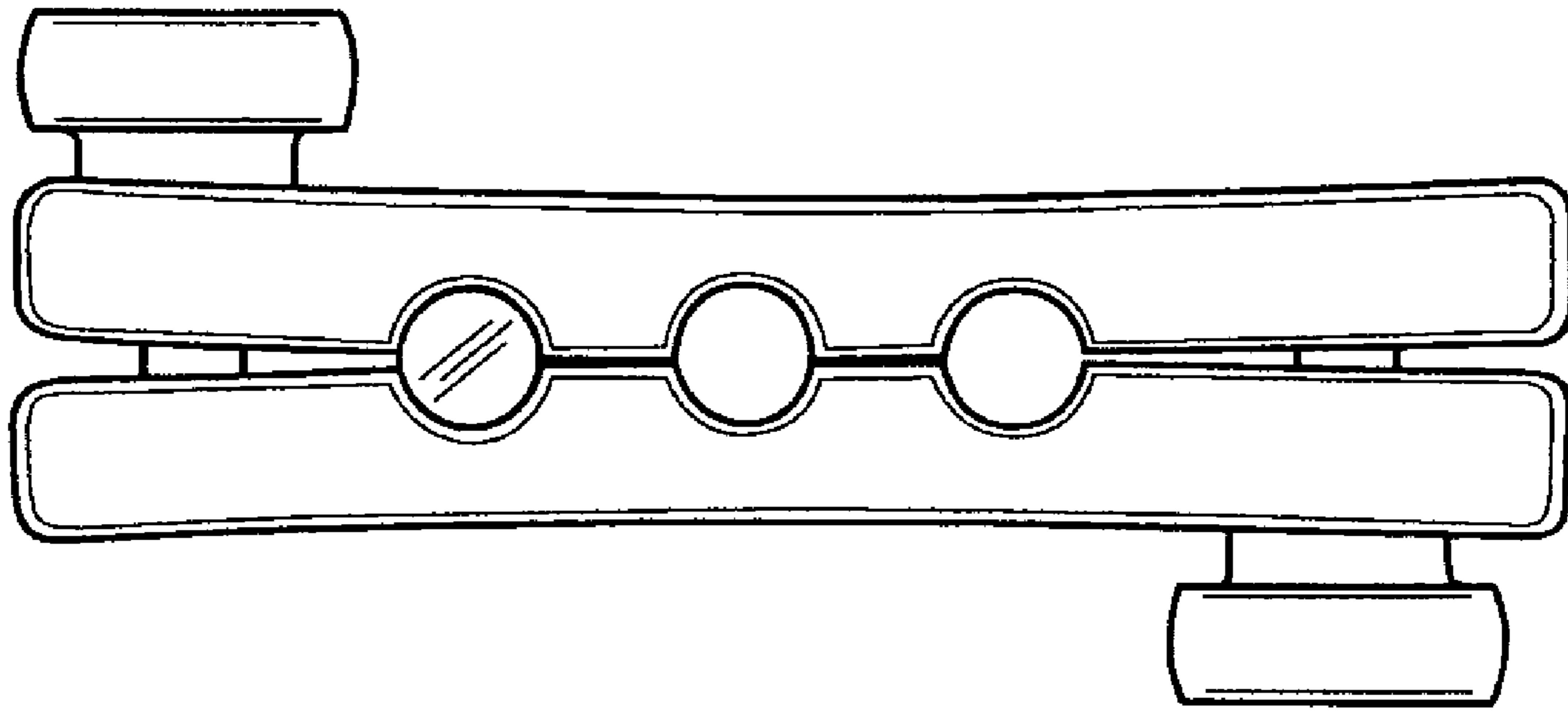
*FIG. 5*



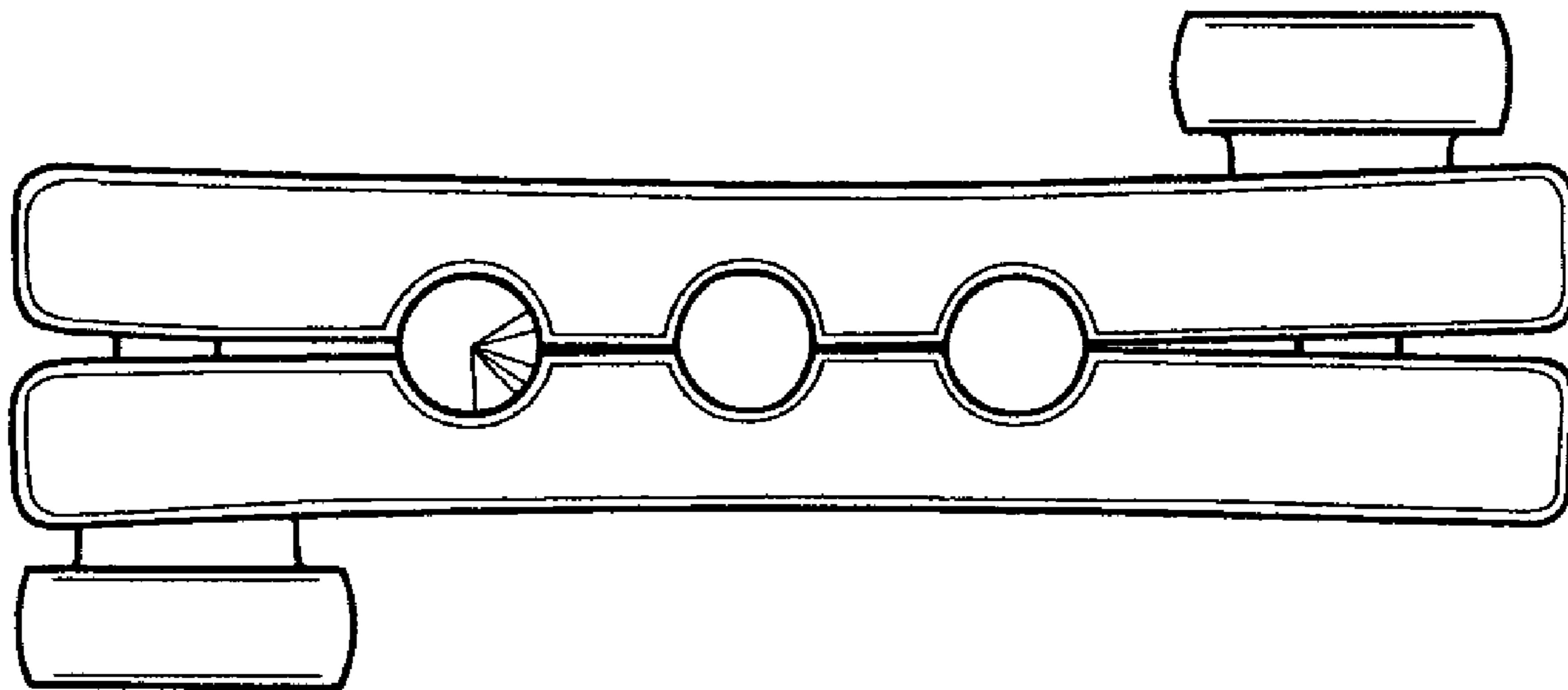
*FIG. 6*



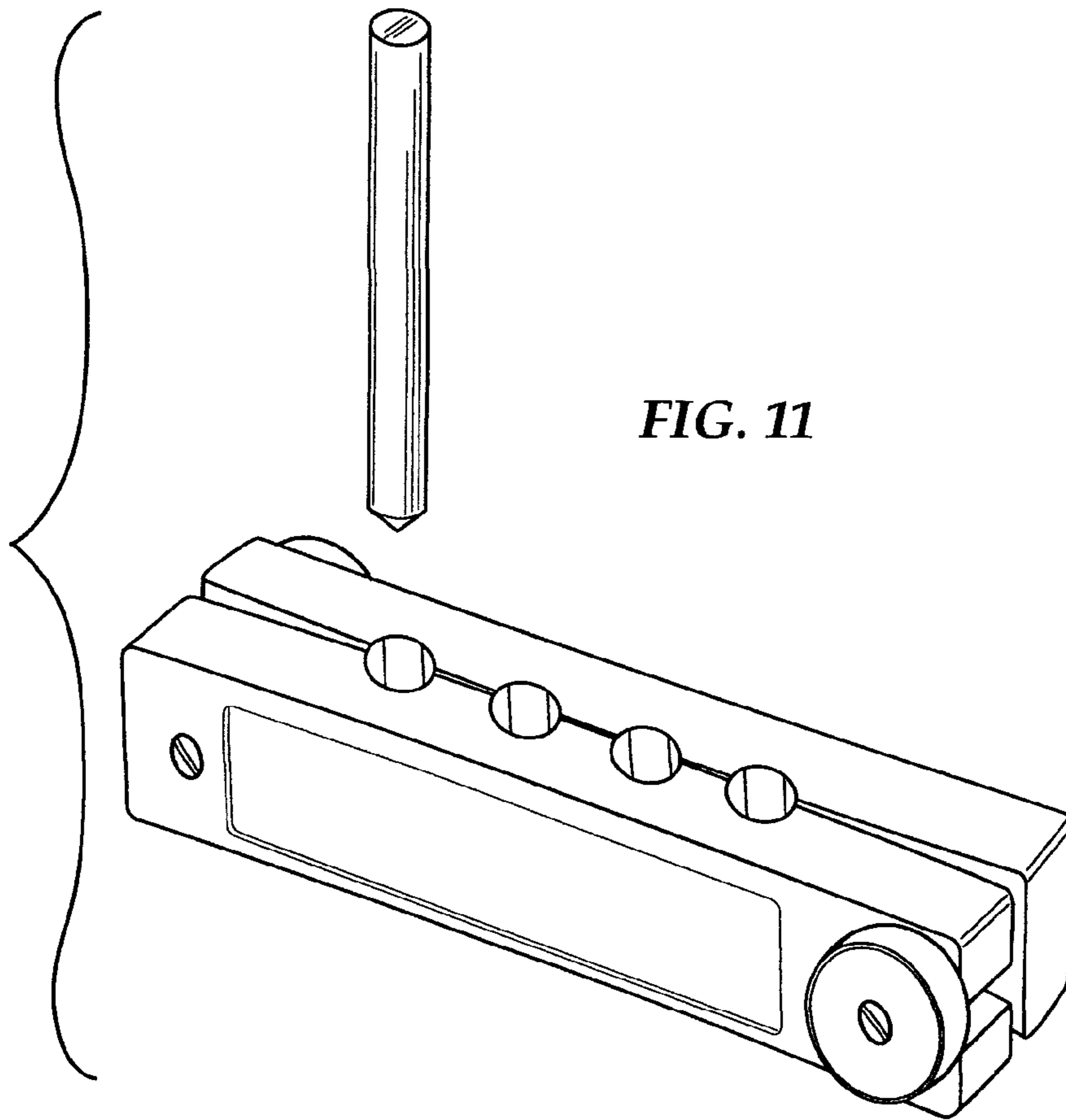
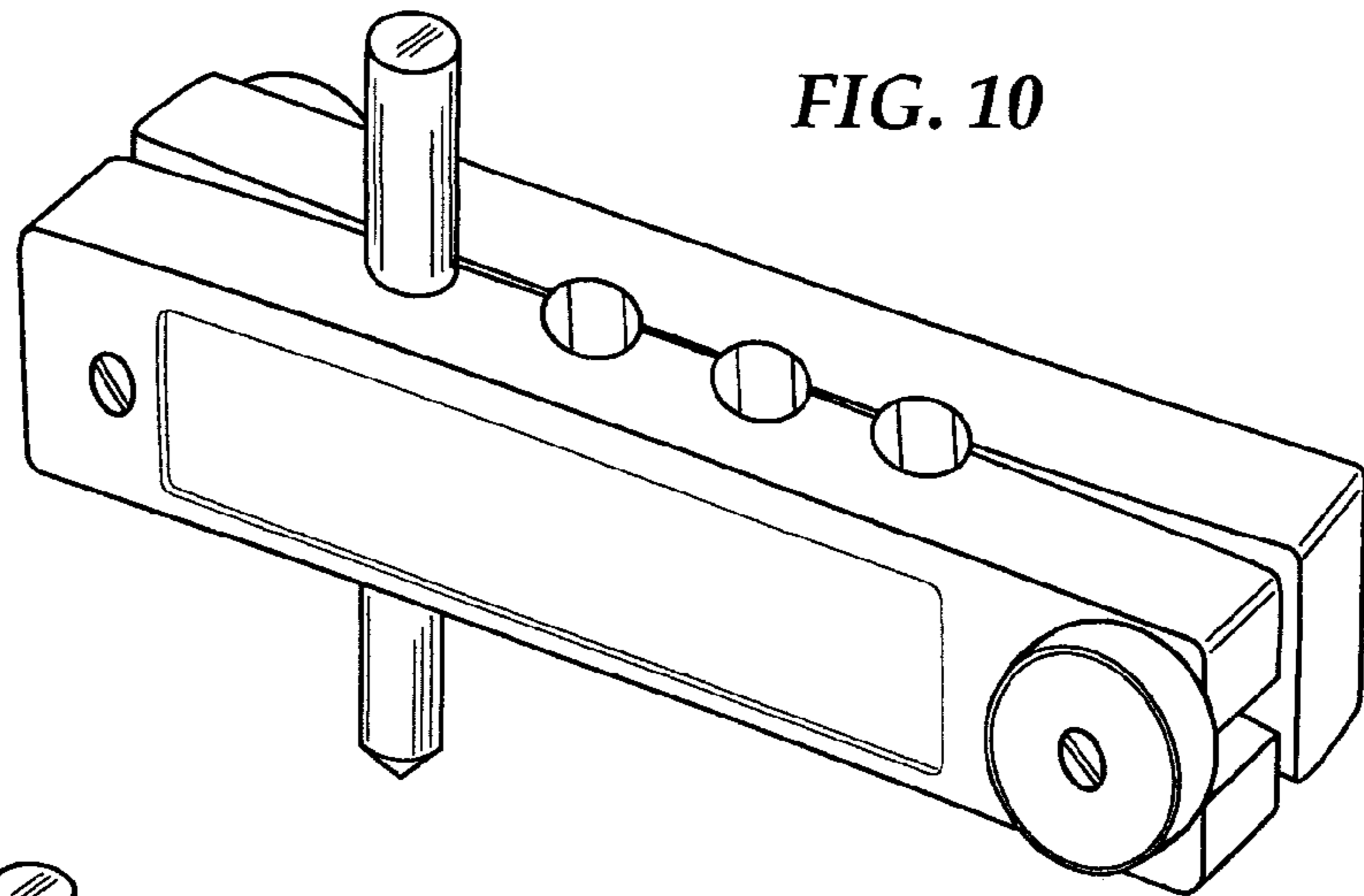
*FIG. 7*



**FIG. 8**



**FIG. 9**



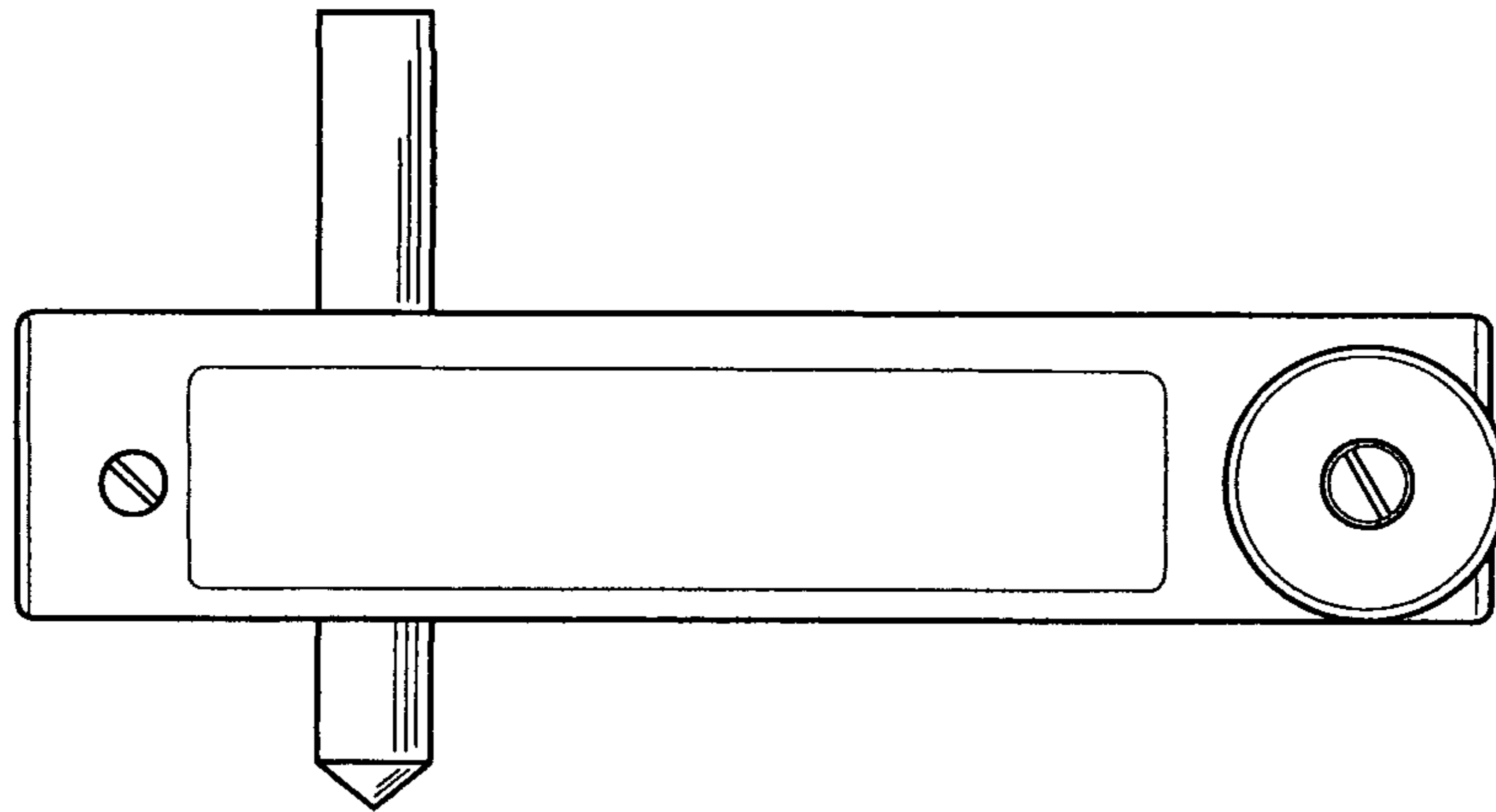


FIG. 12

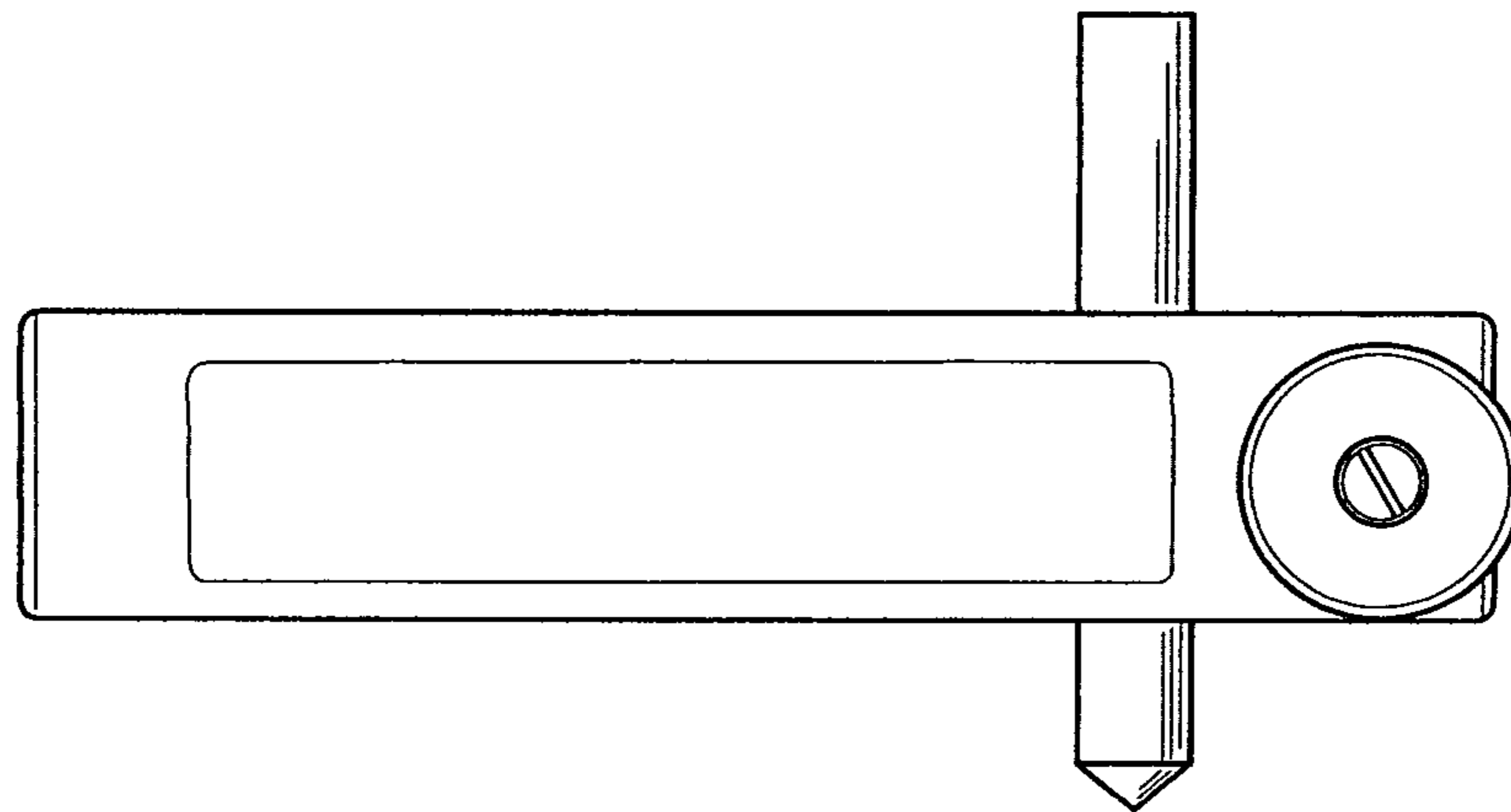


FIG. 13



FIG. 14

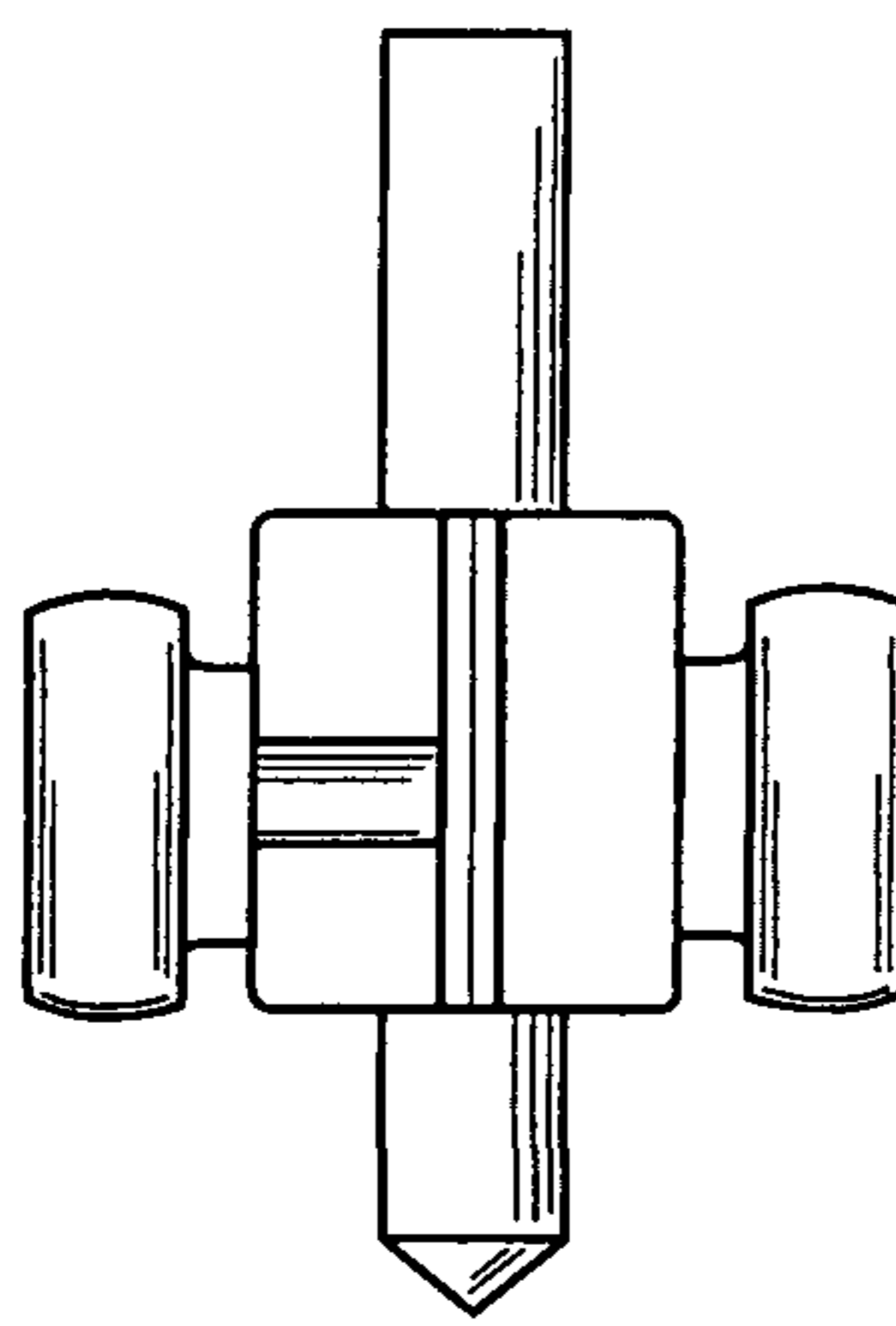


FIG. 15

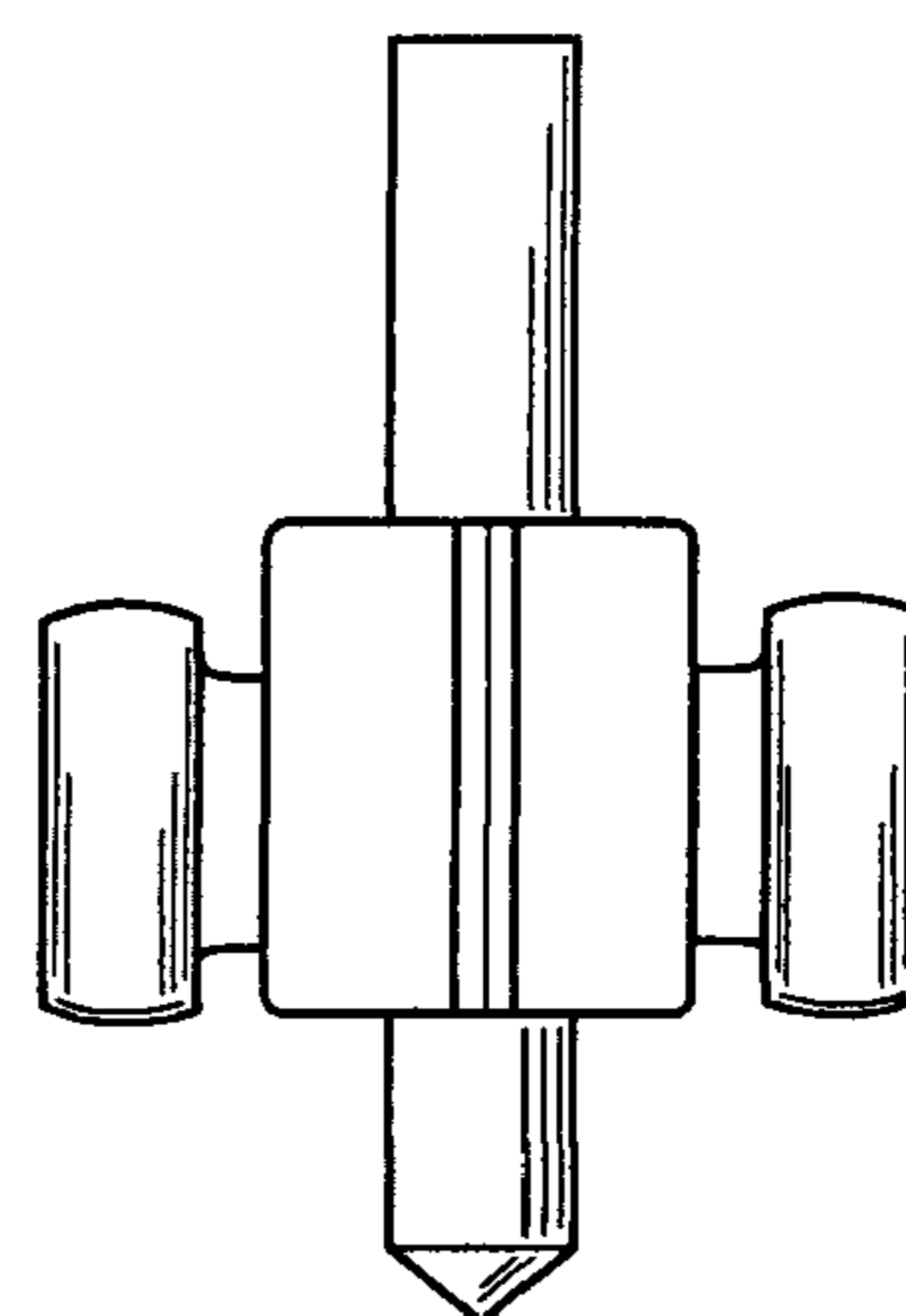
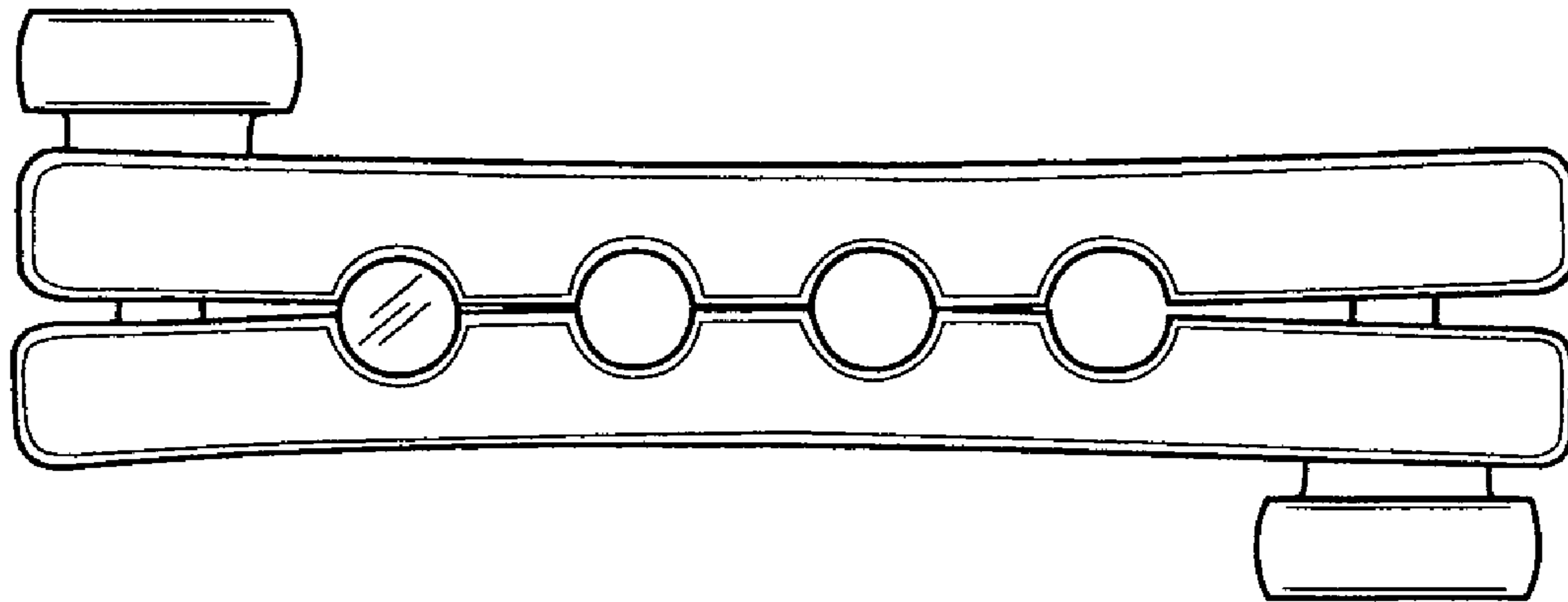
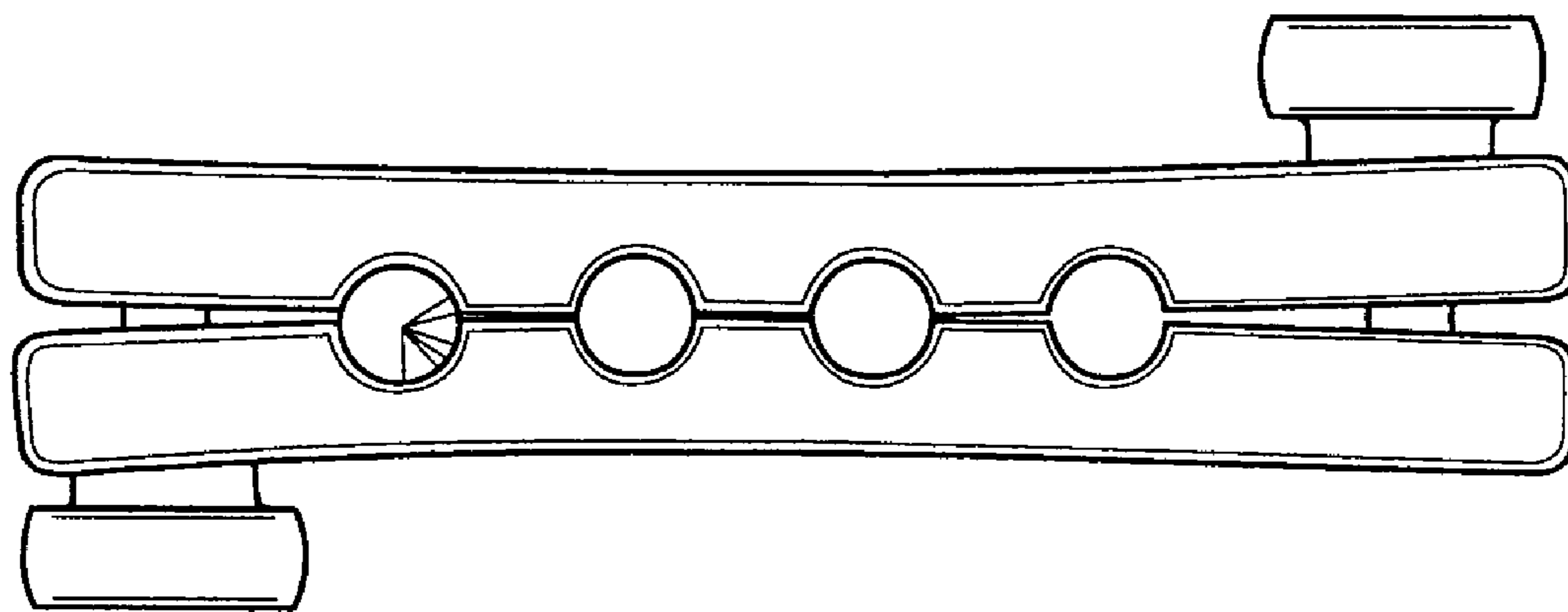


FIG. 16



**FIG. 17**



**FIG. 18**



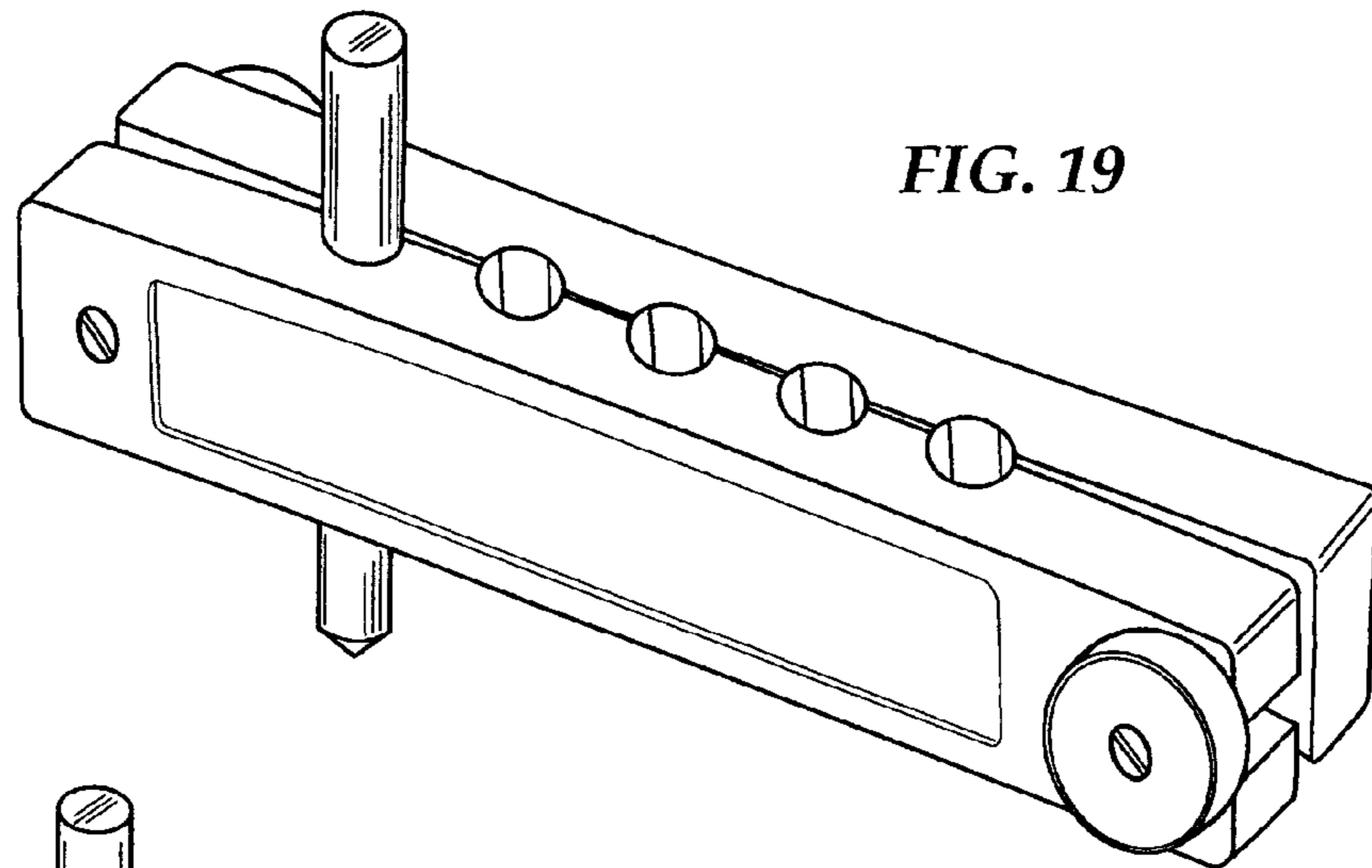


FIG. 19

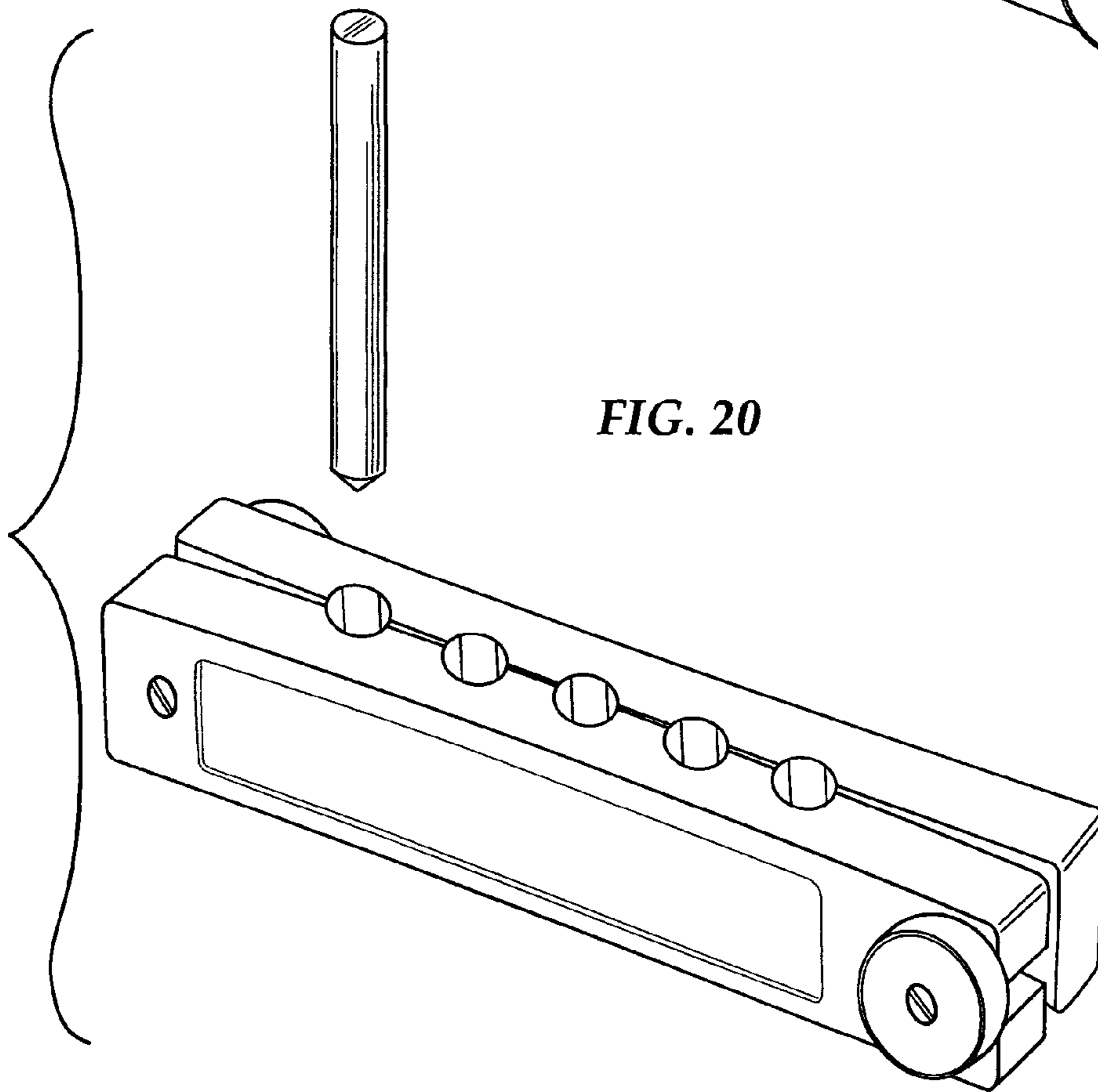


FIG. 20

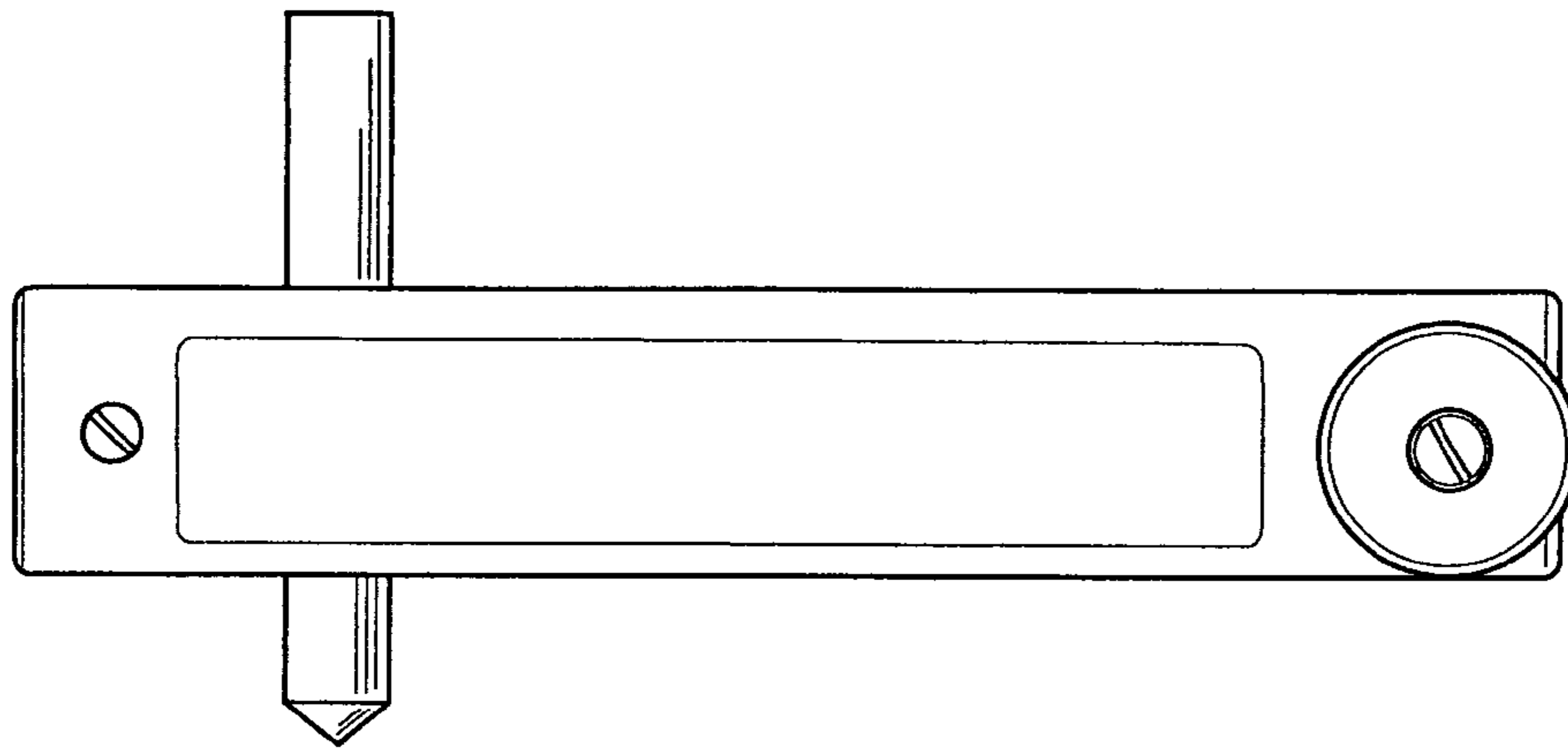


FIG. 21

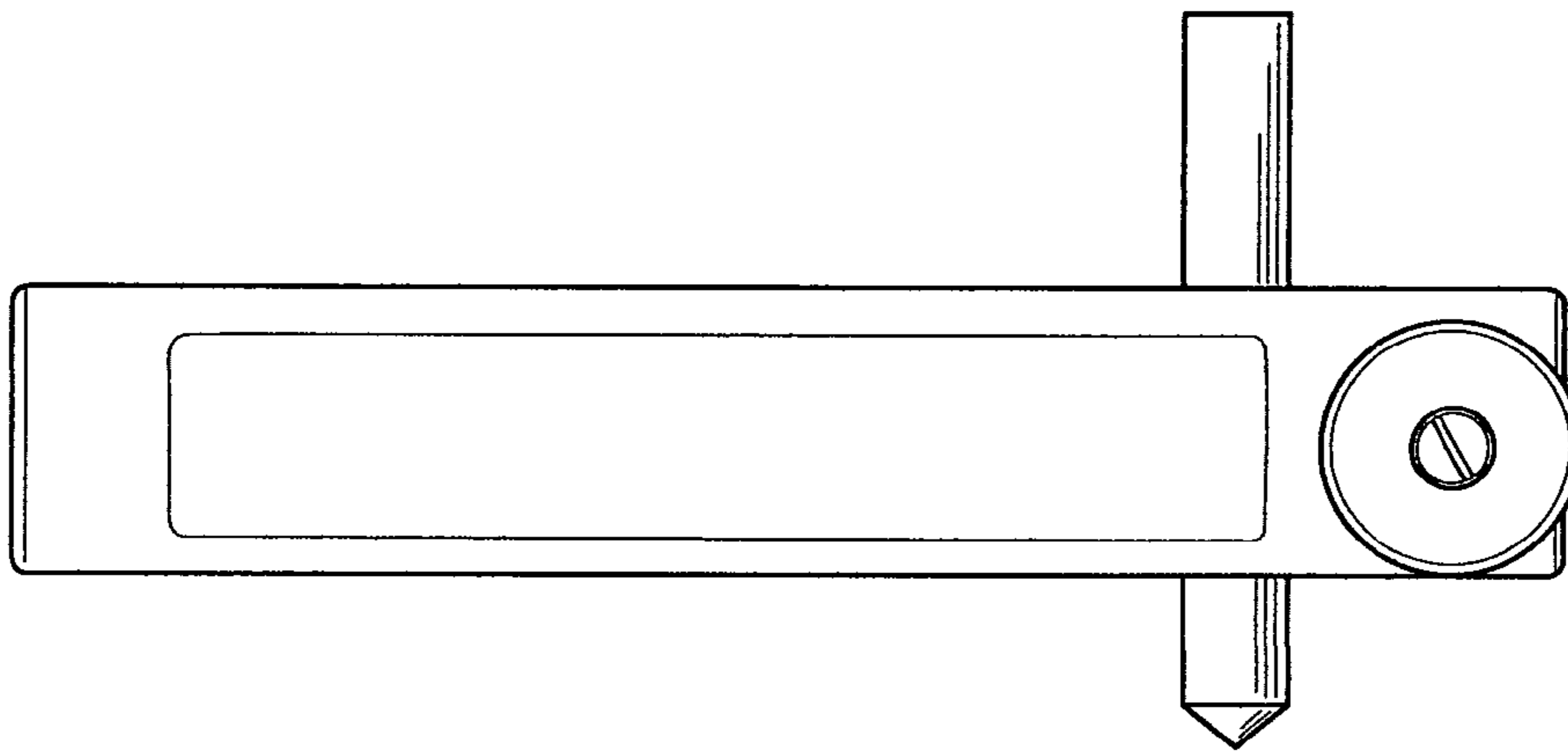


FIG. 22



FIG. 23

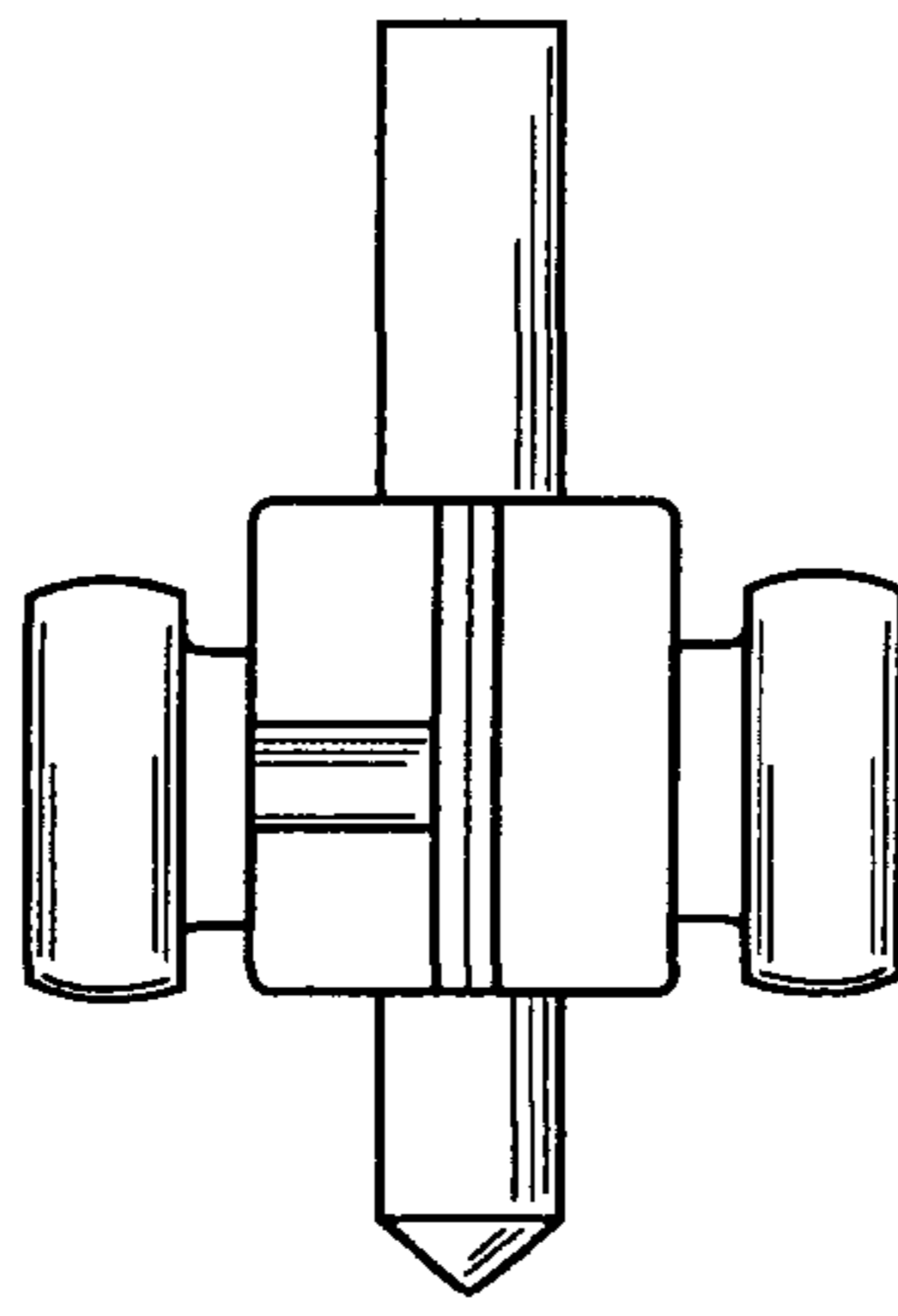


FIG. 24

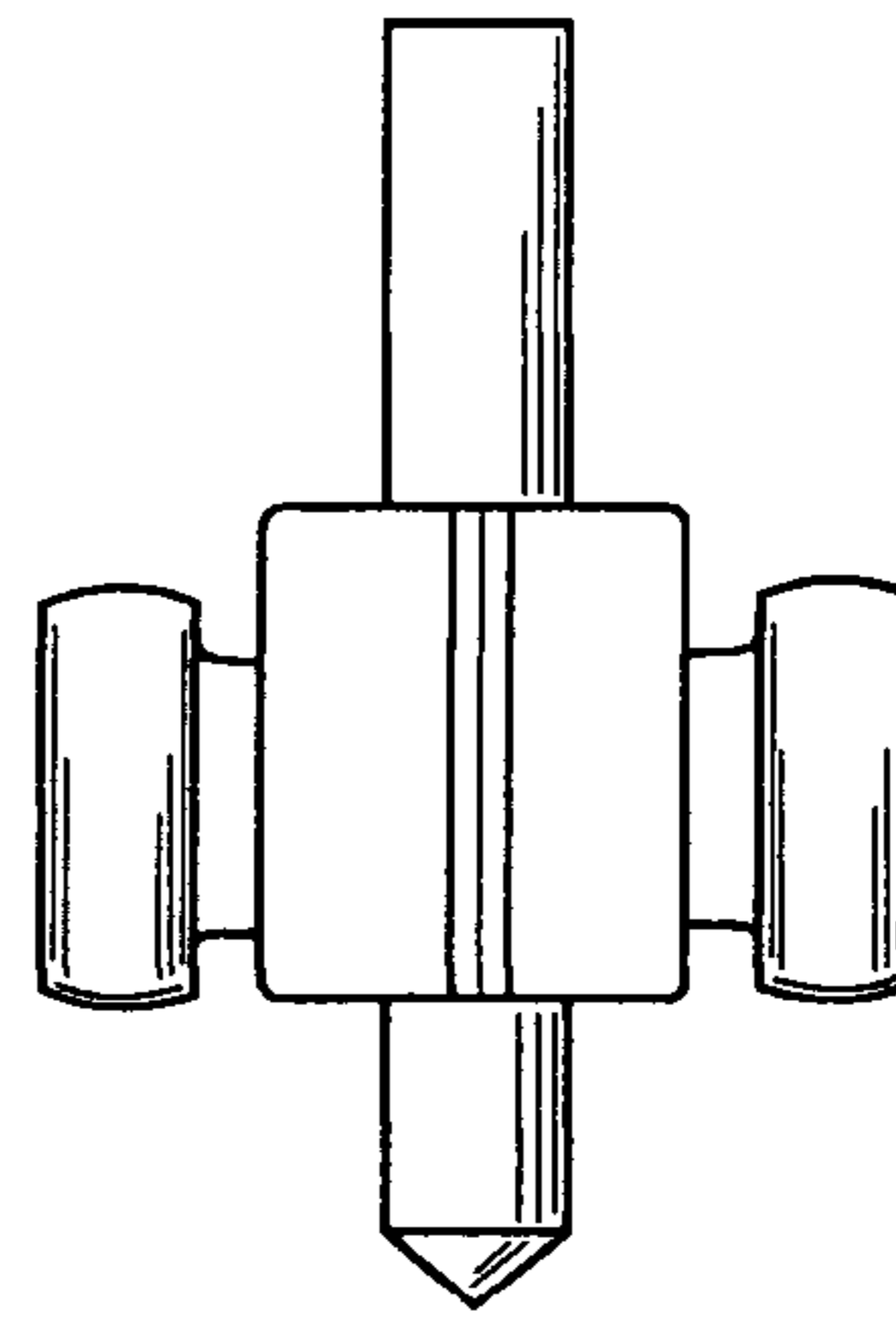
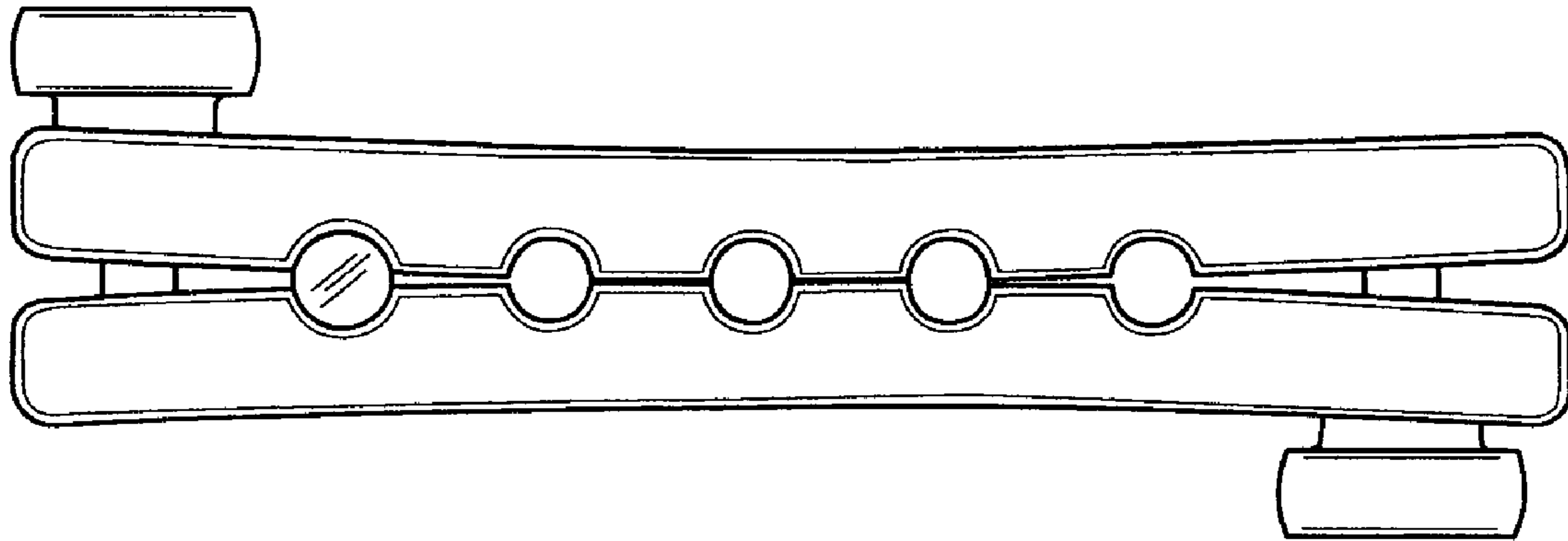
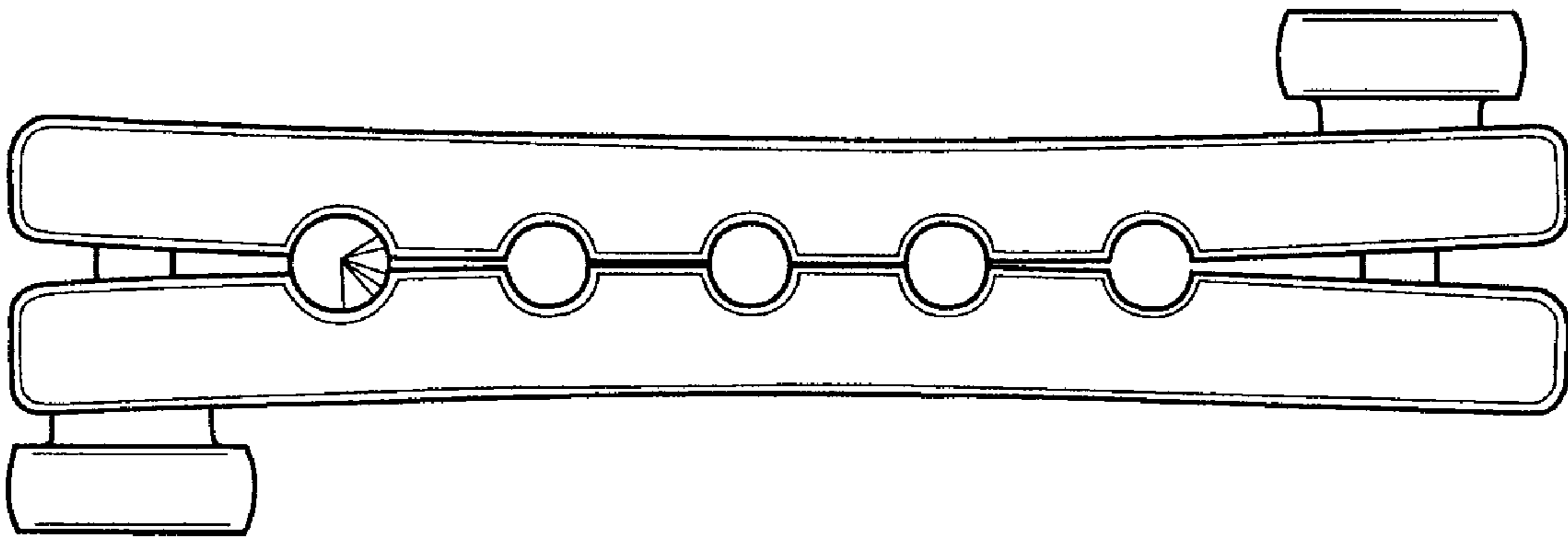


FIG. 25



*FIG. 26*



*FIG. 27*