



US00D584352S

(12) **United States Design Patent**
Ali et al.

(10) **Patent No.:** **US D584,352 S**
(45) **Date of Patent:** **** Jan. 6, 2009**

(54) **PRINTABLE MULTI-PART FORM**
(75) Inventors: **Sherif Ali**, Los Angeles, CA (US); **Kim Canchola**, Lancaster, CA (US); **Russell Smith**, Newhall, CA (US); **Tracy Tenpenny**, Cedarburg, WI (US); **Jeffrey Kerlin**, Brookfield, WI (US); **Mike Erwin**, Mukwonago, WI (US); **James Brown**, Wind Lake, WI (US)

6,067,739 A * 5/2000 Riley 40/633
D496,405 S * 9/2004 Stewart et al. D20/27
D500,524 S * 1/2005 Stewart et al. D20/27
D503,197 S * 3/2005 Stewart et al. D20/27
6,971,200 B2 * 12/2005 Valenti, Jr. 40/633
D521,565 S * 5/2006 Stewart et al. D20/27
D550,769 S * 9/2007 Pollard D19/26
7,322,613 B2 * 1/2008 Penuela et al. 283/105
2003/0177681 A1 * 9/2003 Riley 40/633
2004/0130143 A1 * 7/2004 Valenti, Jr. 283/75

(73) Assignee: **Precision Dynamics Corporation**, San Fernando, CA (US)

* cited by examiner

(**) Term: **14 Years**

Primary Examiner—Louis S Zarfaz

Assistant Examiner—David G Muller

(21) Appl. No.: **29/303,371**

(74) *Attorney, Agent, or Firm*—Kelly Lowry & Kelley, LLP

(22) Filed: **Feb. 7, 2008**

(57) **CLAIM**

(51) **LOC (9) Cl.** **19-01**

The ornamental design for a printable multi-part form, as shown.

(52) **U.S. Cl.** **D19/1**

DESCRIPTION

(58) **Field of Classification Search** D19/1-34;
40/124.01-124.15, 672, 661, 726, 776, 617,
40/633; 229/72, 92, 92.1, 300-303; 283/72,
283/74, 75, 103, 105, 106; 206/449; D21/385;
D20/10, 22, 27, 40, 42, 11; D14/435-437
See application file for complete search history.

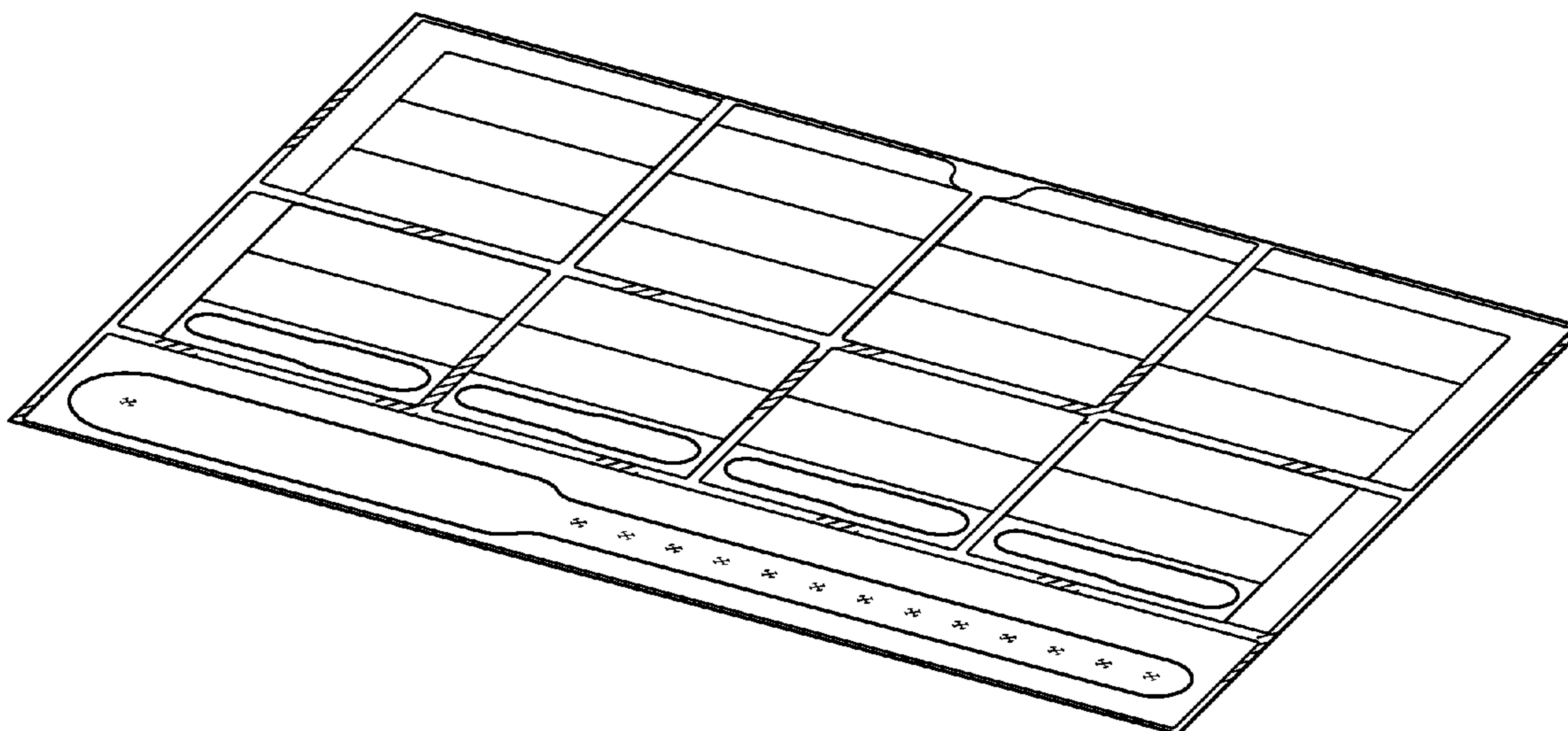
FIG. 1 is a top, front and left-side perspective view of a printable multi-part form embodying our new design;
FIG. 2 is a top plan view thereof;
FIG. 3 is a bottom plan view thereof;
FIG. 4 is a left-side elevational view thereof;
FIG. 5 is a right-side elevational view thereof;
FIG. 6 is a rear elevational view thereof; and,
FIG. 7 is a front elevational view thereof.

(56) **References Cited**

U.S. PATENT DOCUMENTS

D274,241 S * 6/1984 Donadio D19/20
5,653,472 A * 8/1997 Huddleston et al. 283/75
6,016,618 A * 1/2000 Attia et al. 40/633

1 Claim, 2 Drawing Sheets



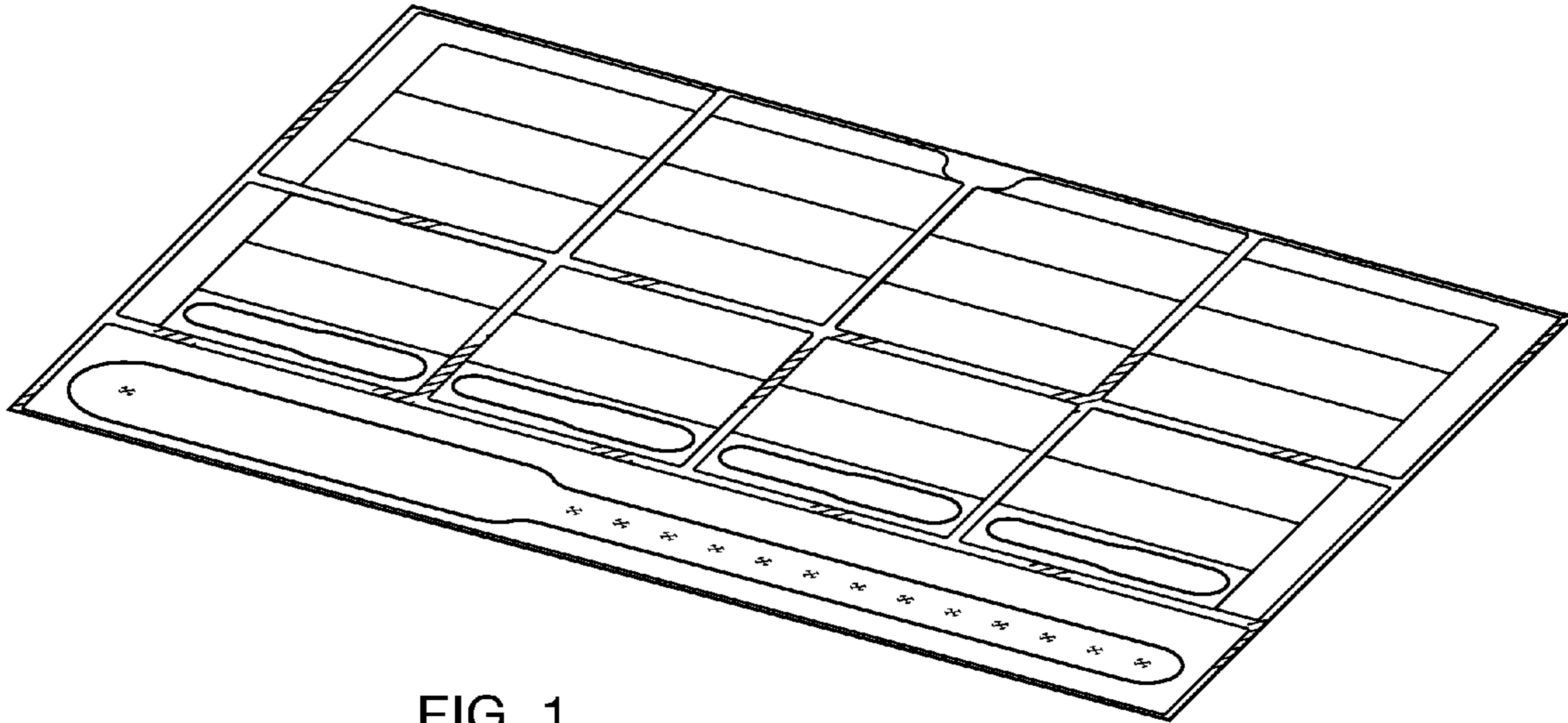


FIG. 1

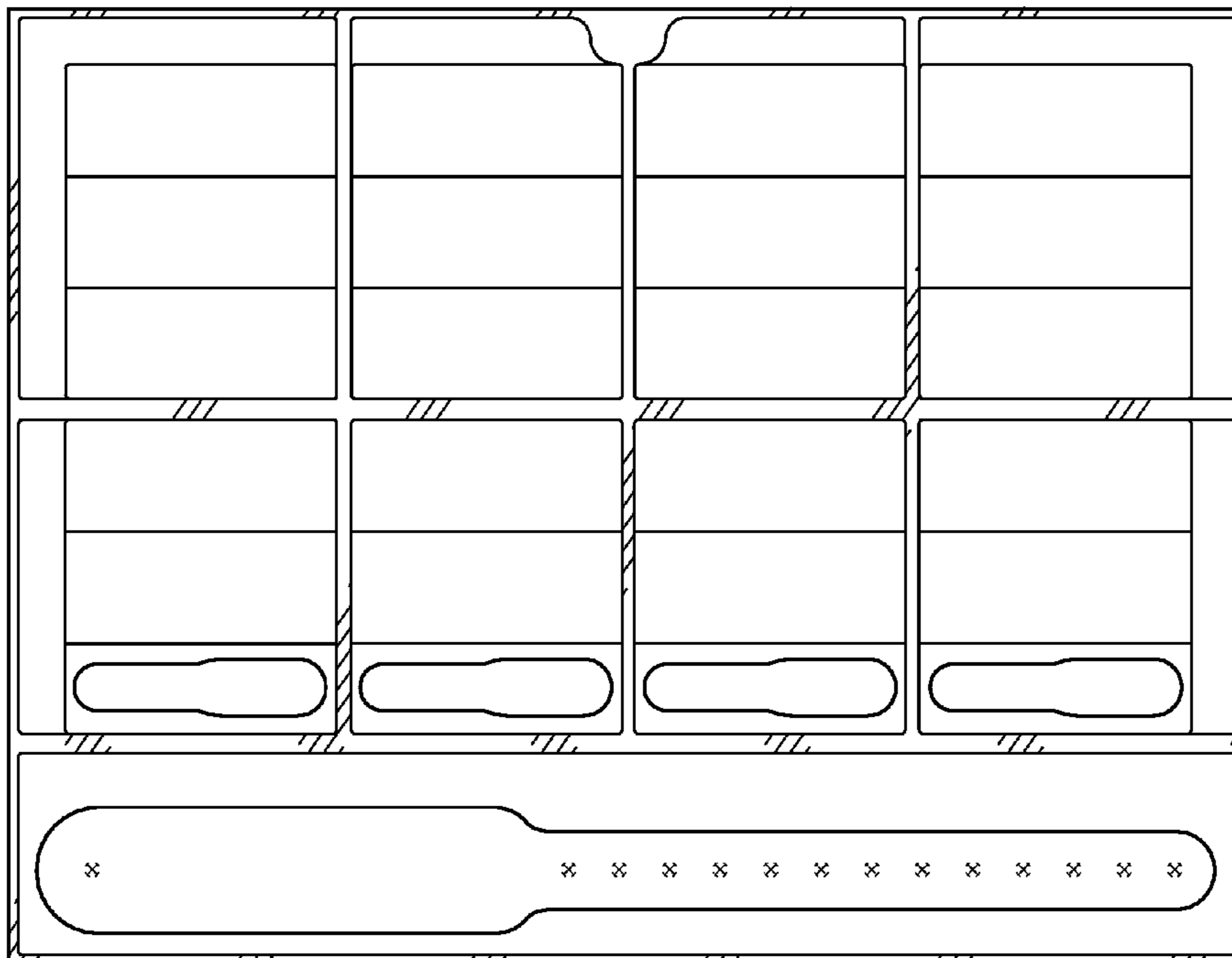


FIG. 2

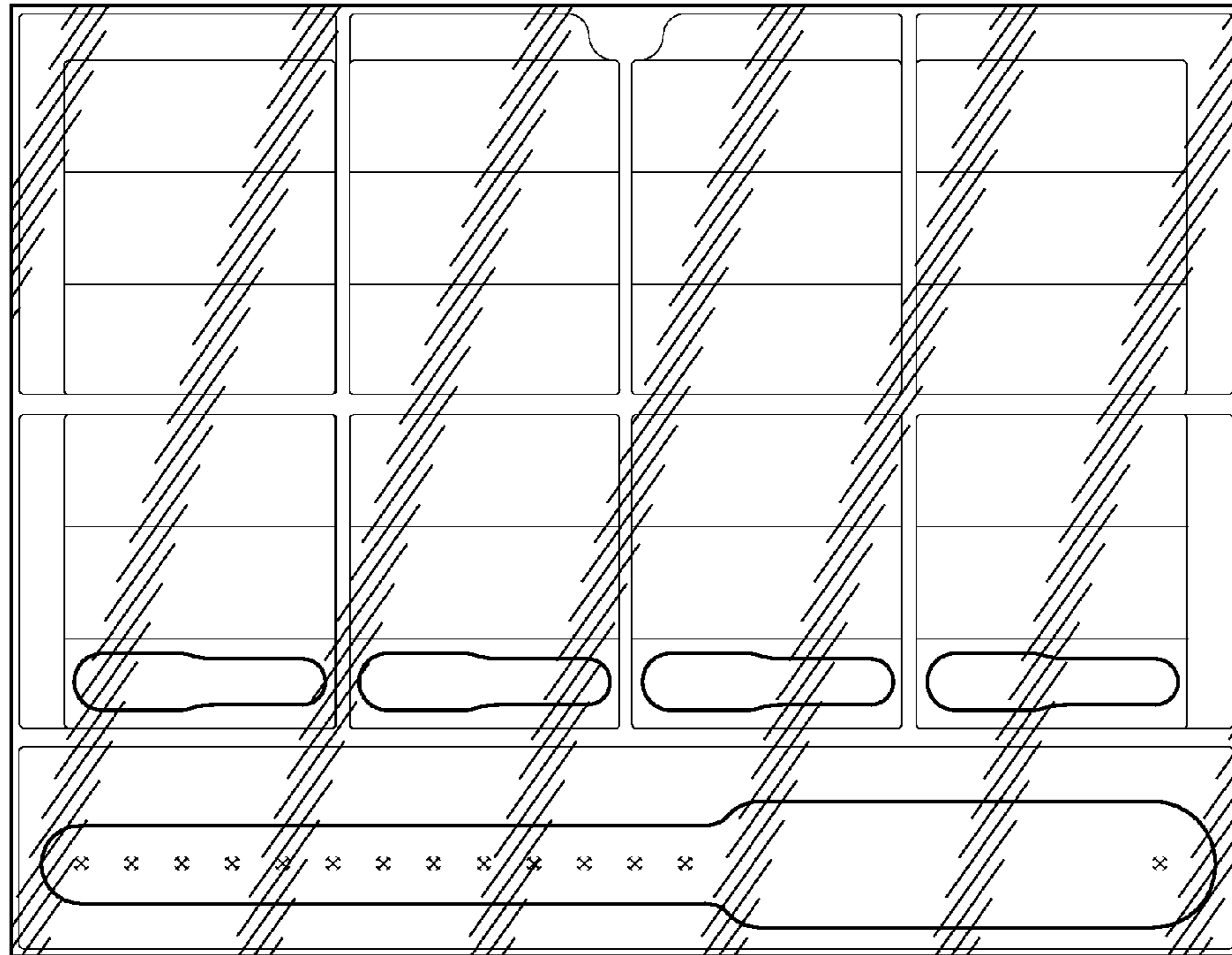


FIG. 3



FIG. 4



FIG. 5

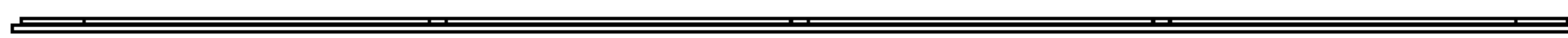


FIG. 6



FIG. 7